

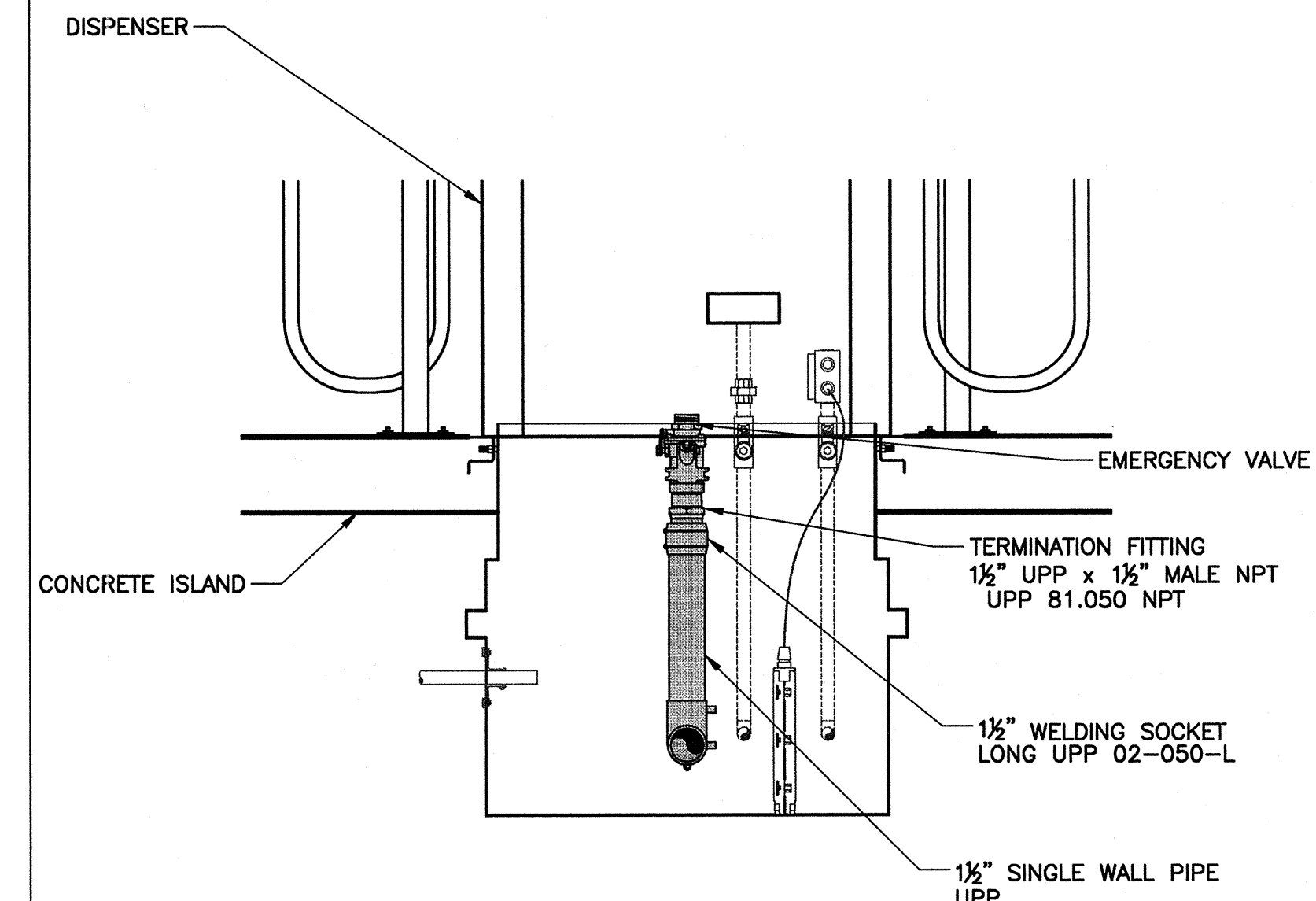
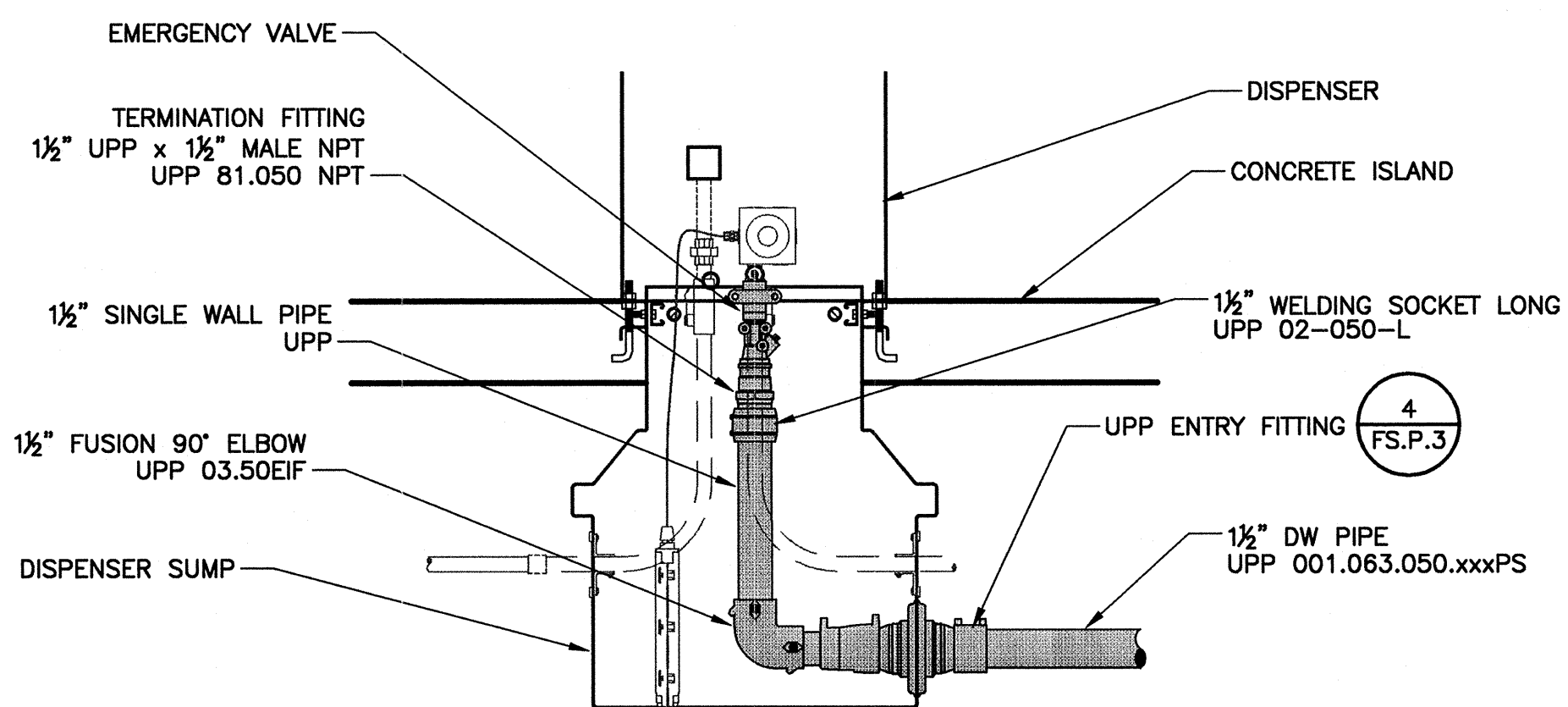
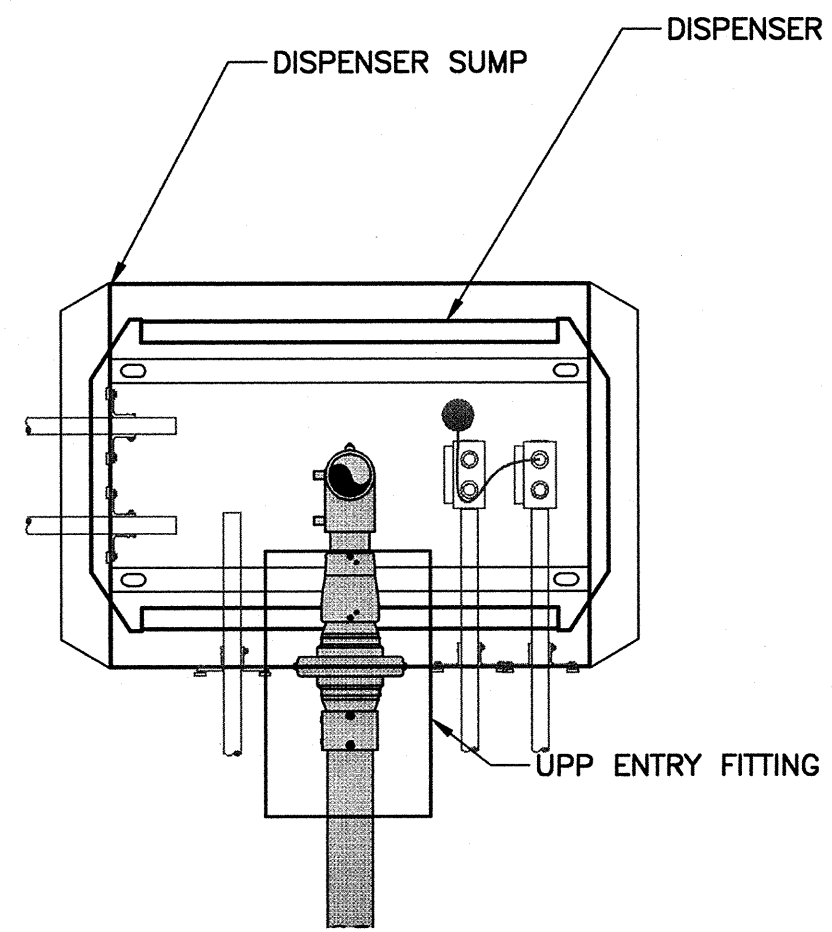
Stantec Consulting Services Inc.  
 5 Dartmouth Drive, Suite 101  
 Auburn NH U.S.A.  
 03032-3984  
 Tel. 603.669.8672  
 Fax. 603.669.7636  
 www.stantec.com

Copyright Reserved

The Contractor shall verify and be responsible for all dimensions. DO NOT scale the drawing - any errors or omissions shall be reported to Stantec without delay. The Copyrights to all designs and drawings are the property of Stantec. Reproduction or use for any purpose other than that authorized by Stantec is forbidden.

Consultants

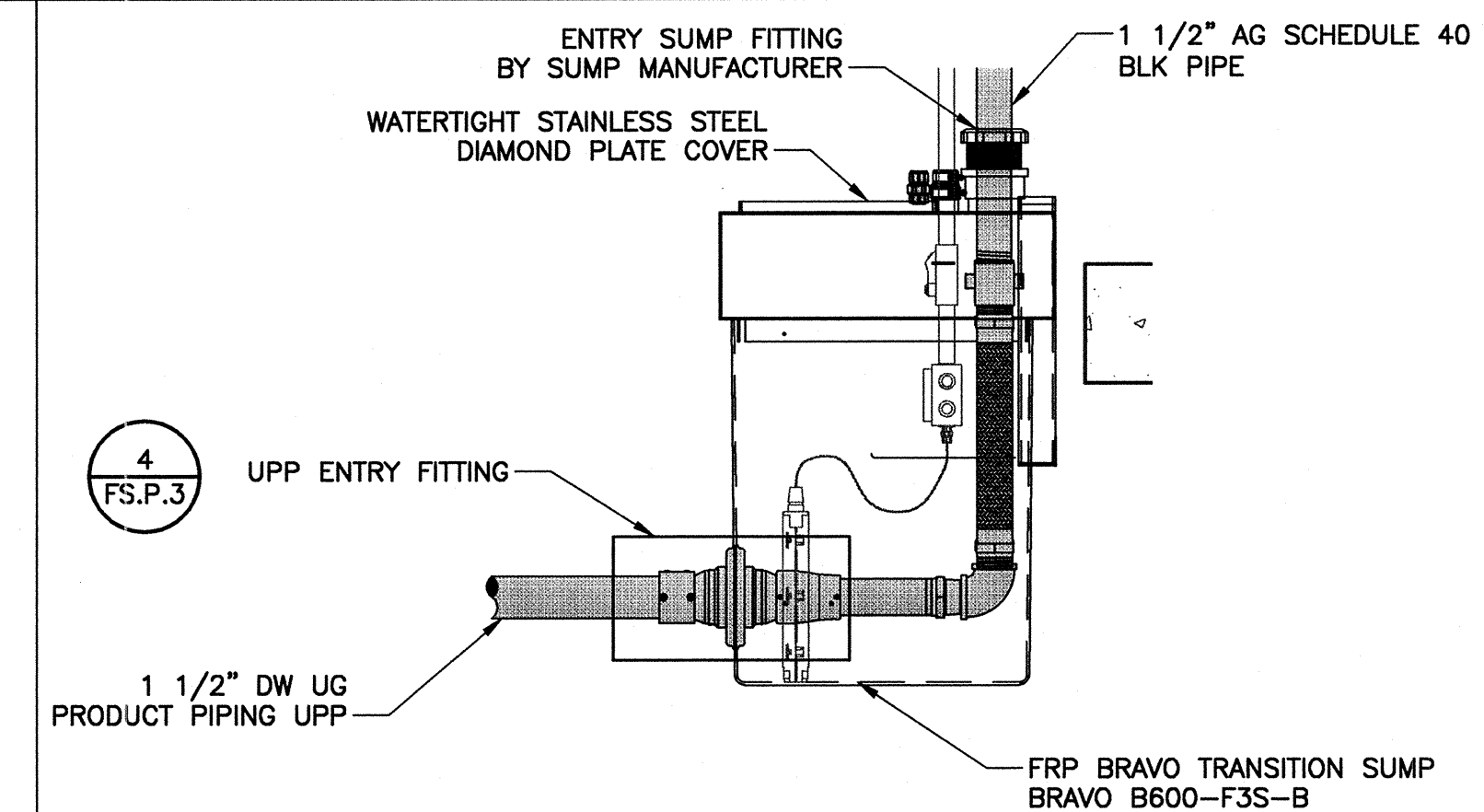
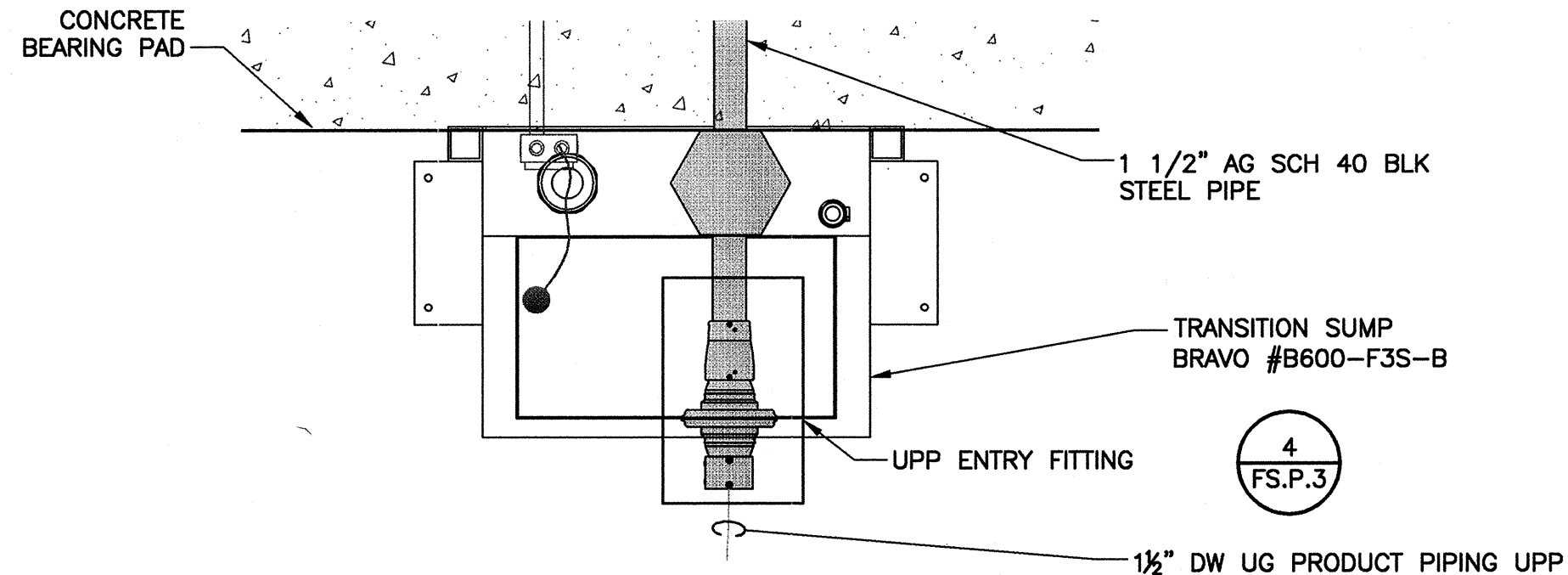
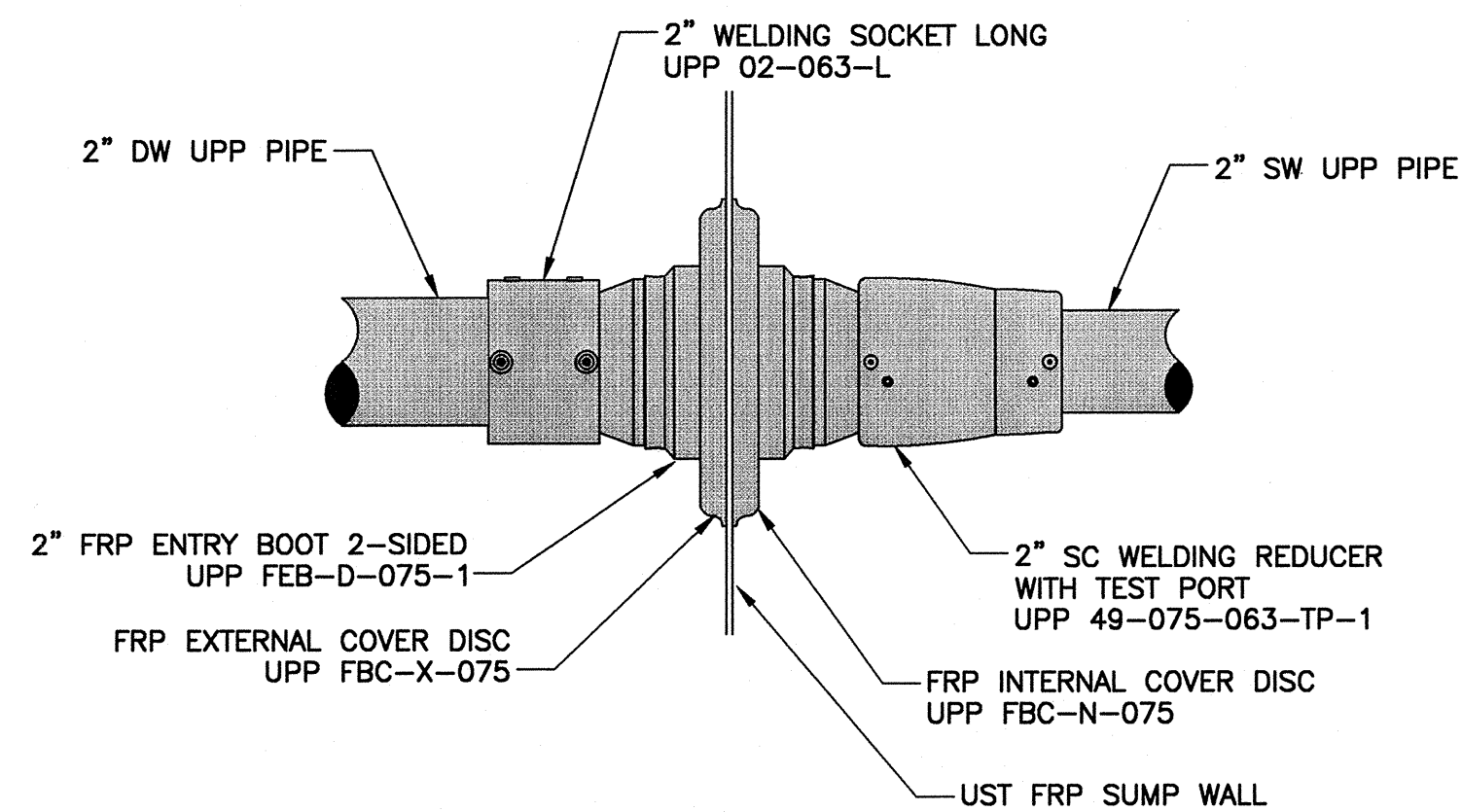
Legend



1 DISPENSER PIPING PLAN  
 F.S.C.3 SCALE: NOT TO SCALE

1 DISPENSER PIPING PLAN  
 F.S.C.3 SCALE: NOT TO SCALE

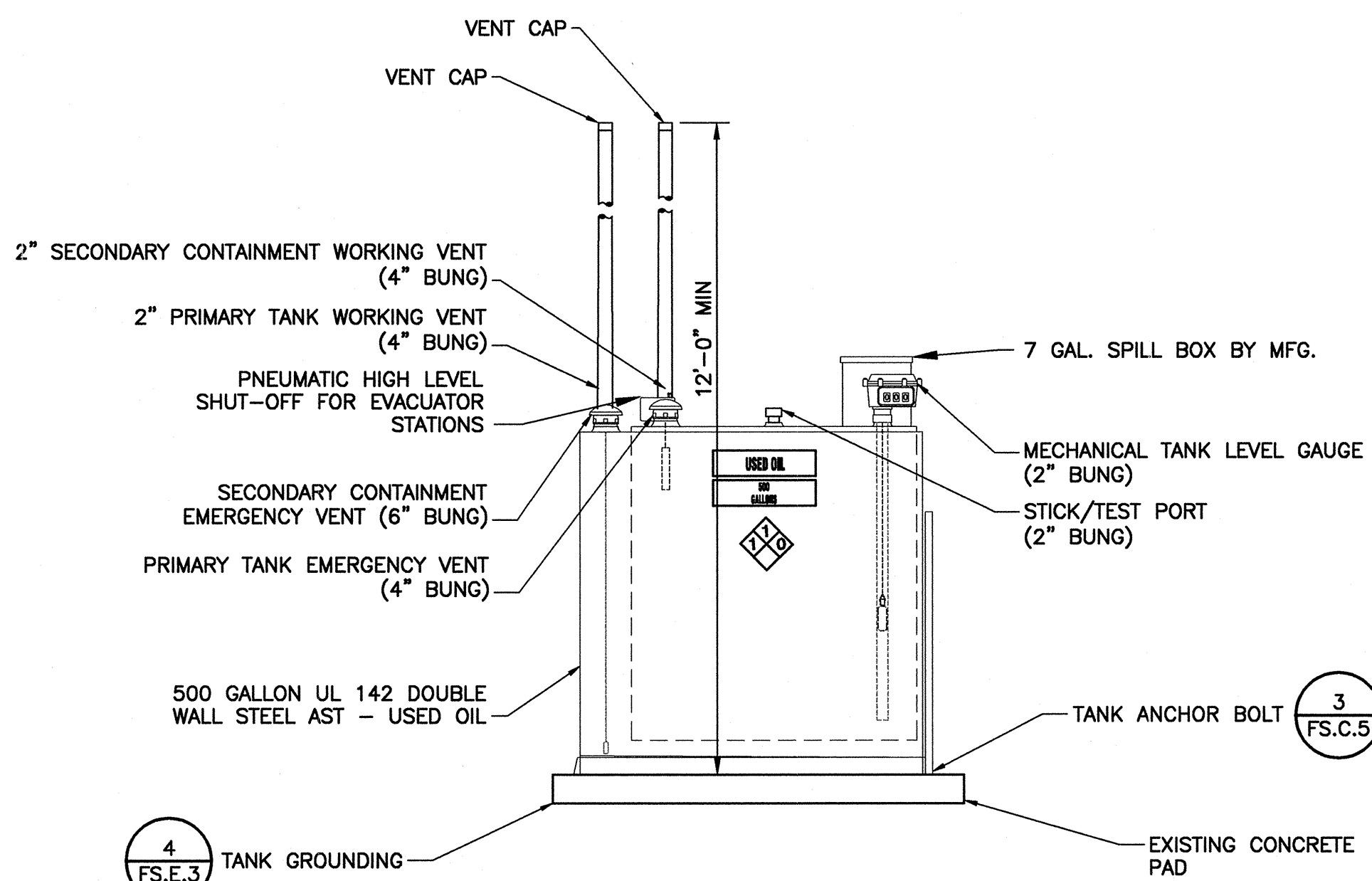
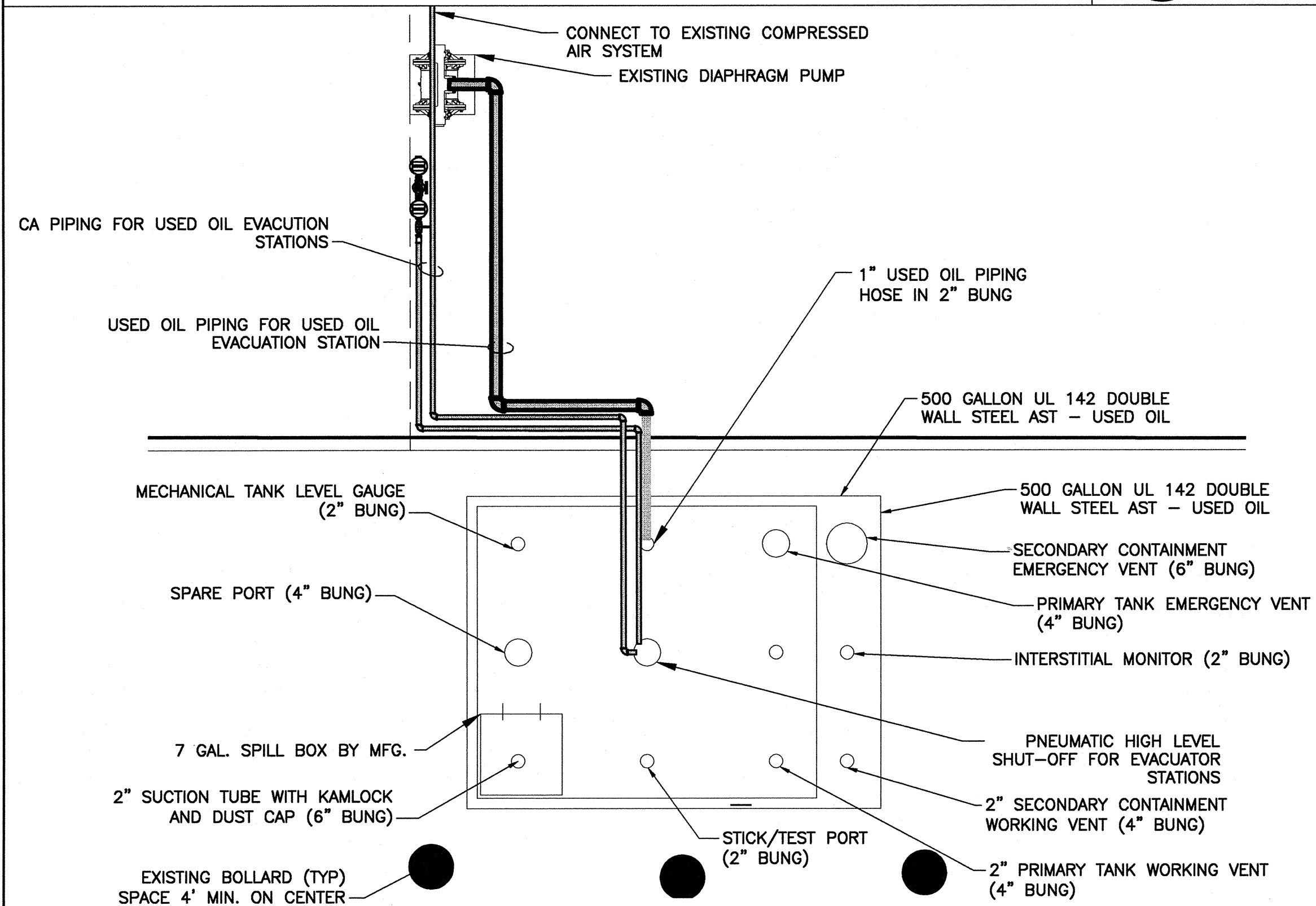
1 DISPENSER PIPING PLAN  
 F.S.C.3 SCALE: NOT TO SCALE



4 UPP ENTRY FITTING DETAIL  
 F.S.P.3 SCALE: N.T.S.

5 TRANSITION SUMP PIPING PLAN  
 F.S.P.3 SCALE: N.T.S.

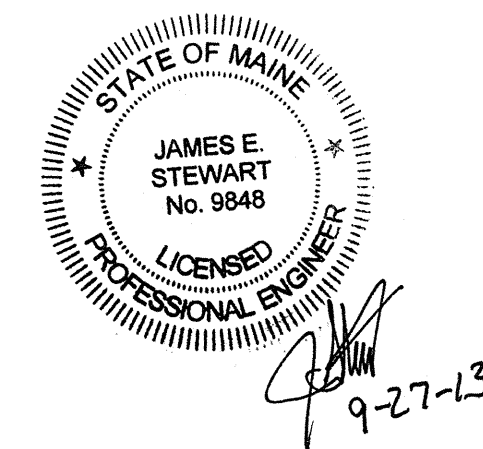
6 TRANSITION SUMP DETAIL  
 F.S.P.3 SCALE: N.T.S.



7 WASTE OIL TANK PIPING DETAIL  
 F.S.P.3 SCALE: N.T.S.

8 WASTE OIL TANK PIPING DETAIL  
 F.S.P.3 SCALE: N.T.S.

Notes



Revision	By	Appd.	YY.MM.DD
ISSUE FOR PERMIT	JES	JES	13.09.27
ISSUE FOR BID	JES	JES	13.09.10
Issued	By	Appd.	YY.MM.DD

File Name: 03\_191711186\_FS.P.dwg JSW JKM/JSJ JSW 1-20-12  
 Dwn. Chkd. Dgn. YY.MM.DD



Client/Project  
 THE HERTZ CORPORATION

ABOVEGROUND STORAGE TANK  
 INSTALLATION AND RELATED WORK  
 PORTLAND, ME

Title  
 DISPENSER PIPING PLAN & DETAILS

Project No. 191711186 Scale AS NOTED

Drawing No. F.S.P.3 Sheet 15 of 19 Revision 0