

Stantec Consulting Services Inc.  
5 Dartmouth Drive, Suite 101  
Auburn NH U.S.A.  
03032-3984  
Tel. 603.669.8672  
Fax. 603.669.7636  
www.stantec.com

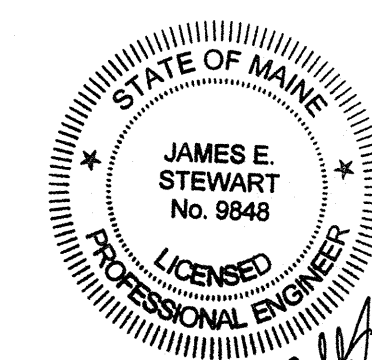
Copyright Reserved

The Contractor shall verify and be responsible for all dimensions. DO NOT scale the drawing - any errors or omissions shall be reported to Stantec without delay.  
The Copyrights to all designs and drawings are the property of Stantec. Reproduction or use for any purpose other than that authorized by Stantec is forbidden.

Consultants

Legend

Notes



9-27-13

Revision	By	Appd.	YY.MM.DD
ISSUE FOR PERMIT	JES	JES	13.09.27
ISSUE FOR BID	JES	JES	13.09.10
Issued	By	Appd.	YY.MM.DD

File Name: 03\_191711186\_FS.P.dwg  
Dwn. Chkd. Dgn. 1-20-12  
YY.MM.DD



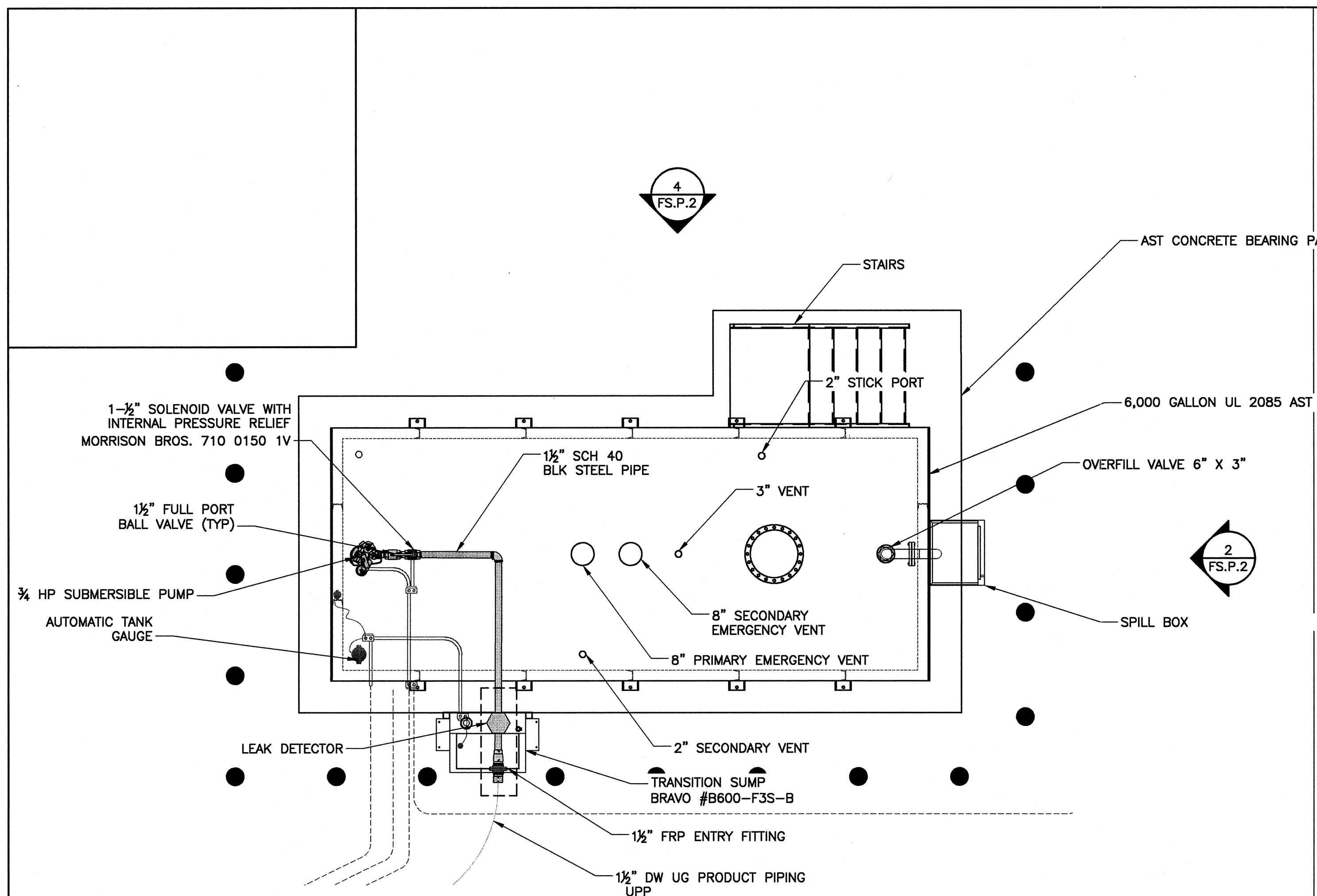
Client/Project  
THE HERTZ CORPORATION

ABOVEGROUND STORAGE TANK  
INSTALLATION AND RELATED WORK  
PORTLAND, ME

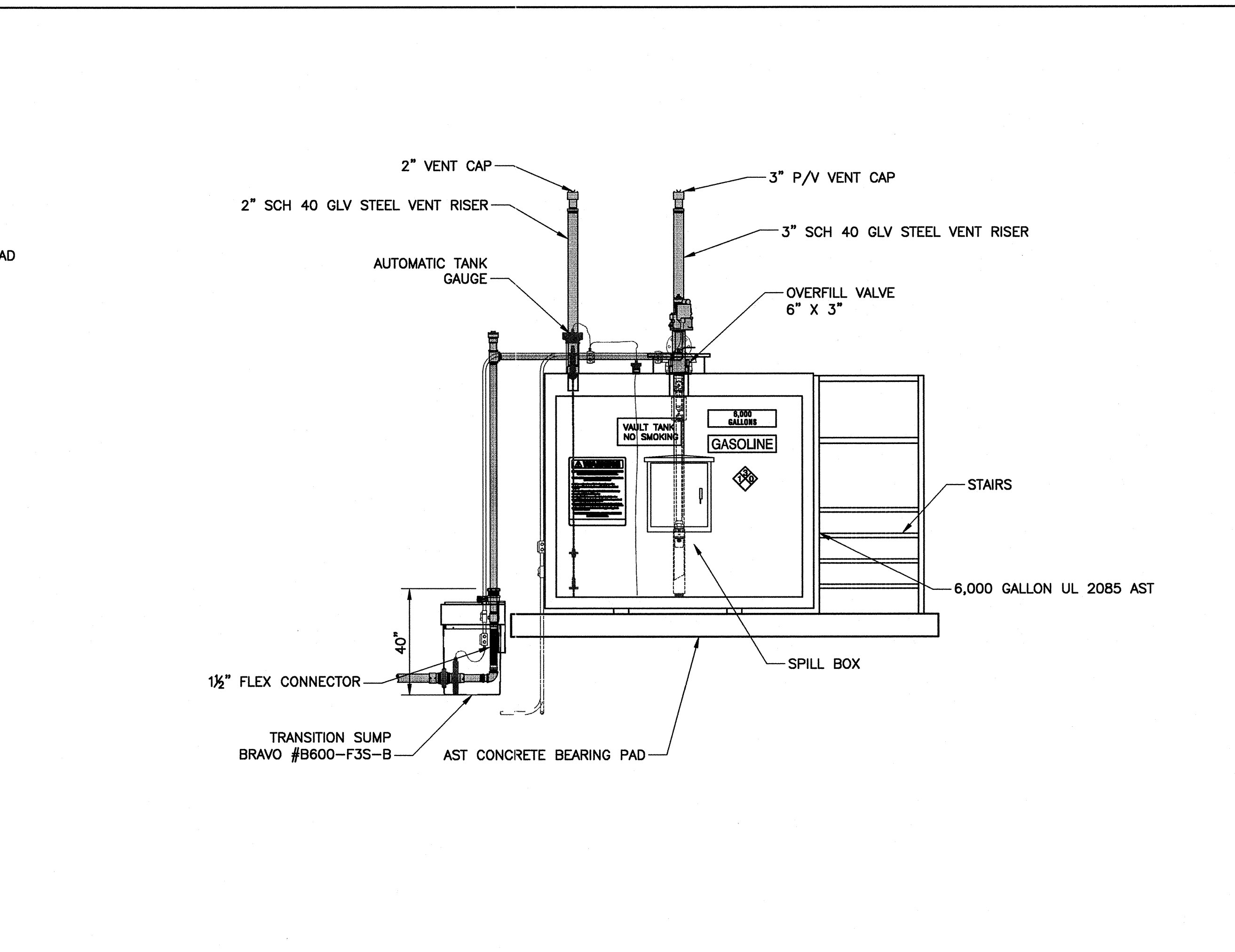
Title  
ABOVEGROUND STORAGE TANK  
PIPING DETAILS

Project No. 191711186  
Scale AS NOTED

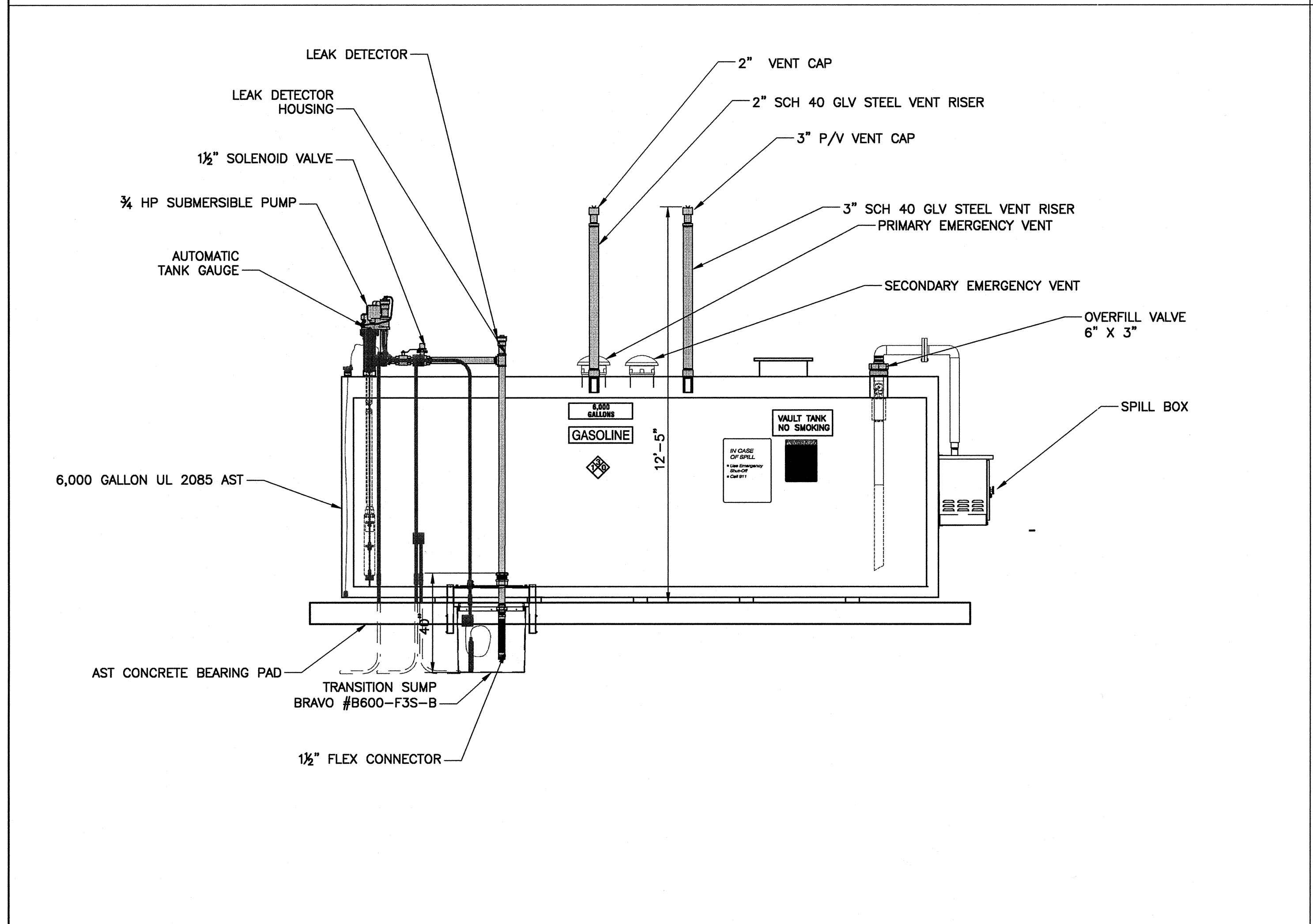
Drawing No. FS.P.2  
Sheet 14 of 19  
Revision 0



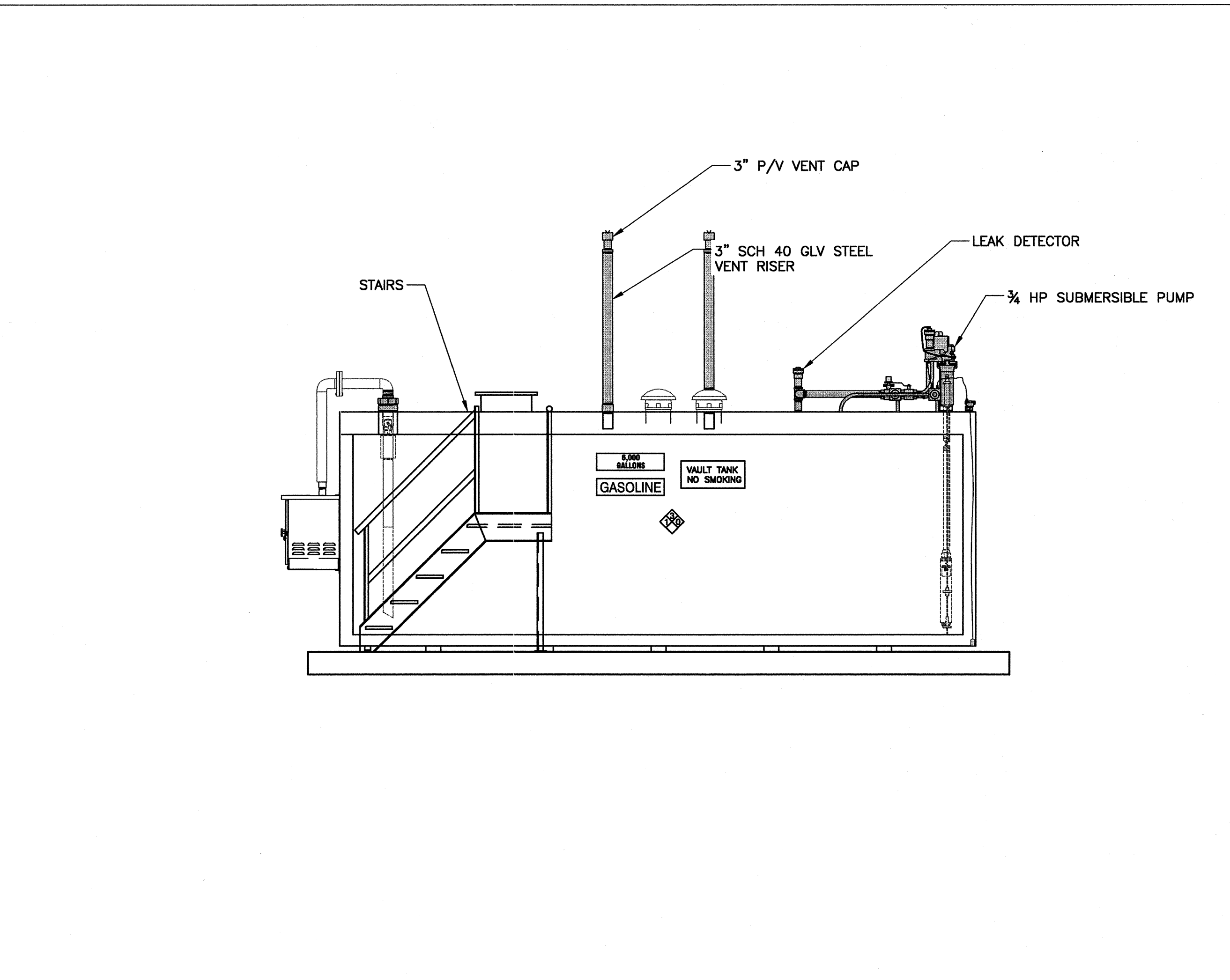
1 AST PIPING PLAN  
SCALE: 3/8" = 1'-0"



2 AST PIPING ELEVATION  
SCALE: 3/8" = 1'-0"



3 AST PIPING ELEVATION  
SCALE: 3/8" = 1'-0"



4 AST PIPING ELEVATION  
SCALE: 3/8" = 1'-0"