



Stantec Consulting Services Inc.
5 Dartmouth Drive, Suite 101
Auburn NH U.S.A.
03032-3984
Tel. 603.669.8672
Fax. 603.669.7636
www.stantec.com

Stantec

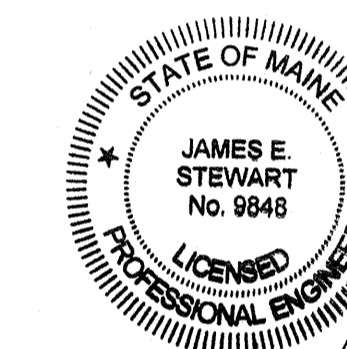
Copyright Reserved

The Contractor shall verify and be responsible for all dimensions. DO NOT scale the drawing - any errors or omissions shall be reported to Stantec without delay.
The Copyrights to all designs and drawings are the property of Stantec. Reproduction or use for any purpose other than that authorized by Stantec is forbidden.

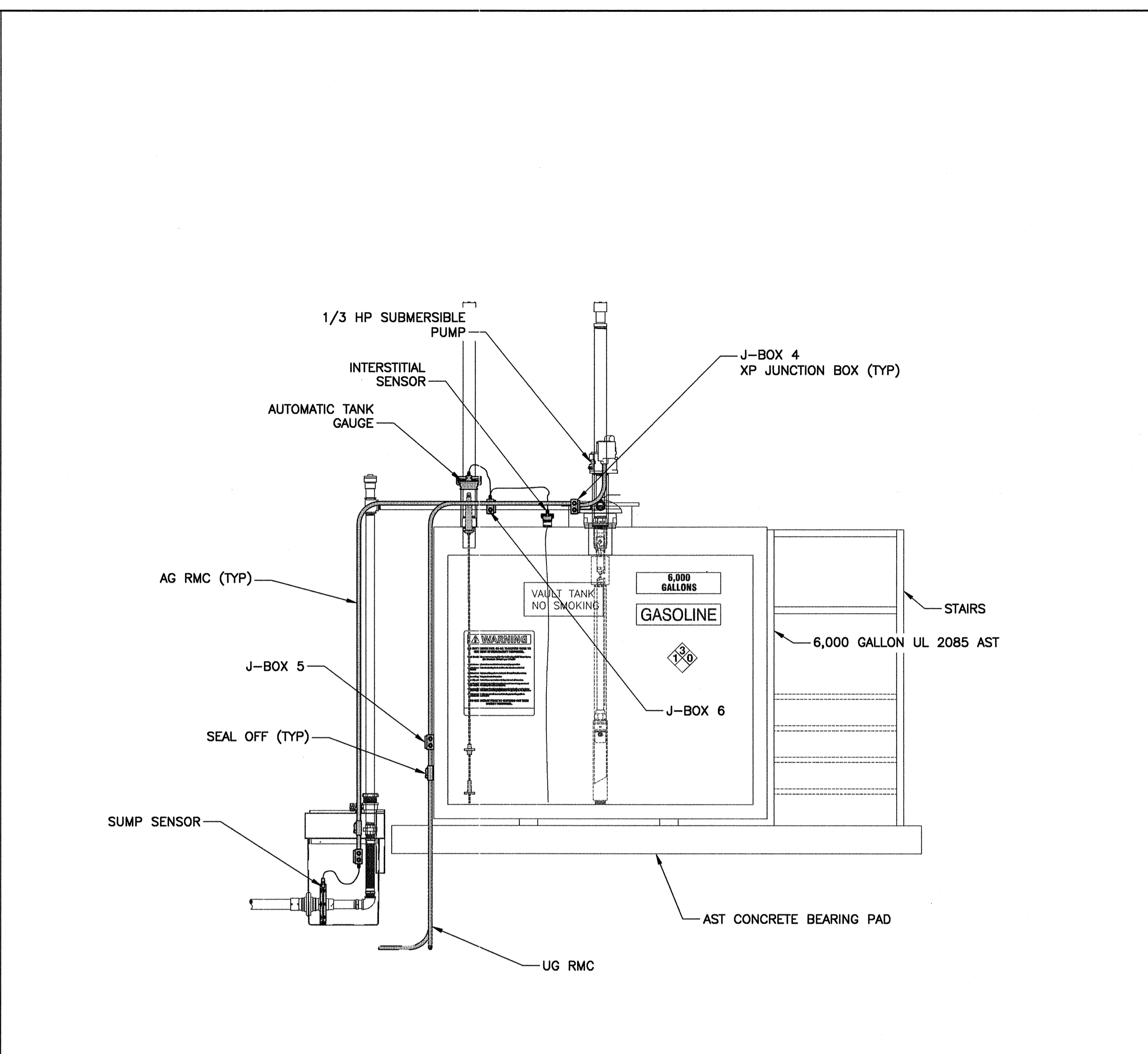
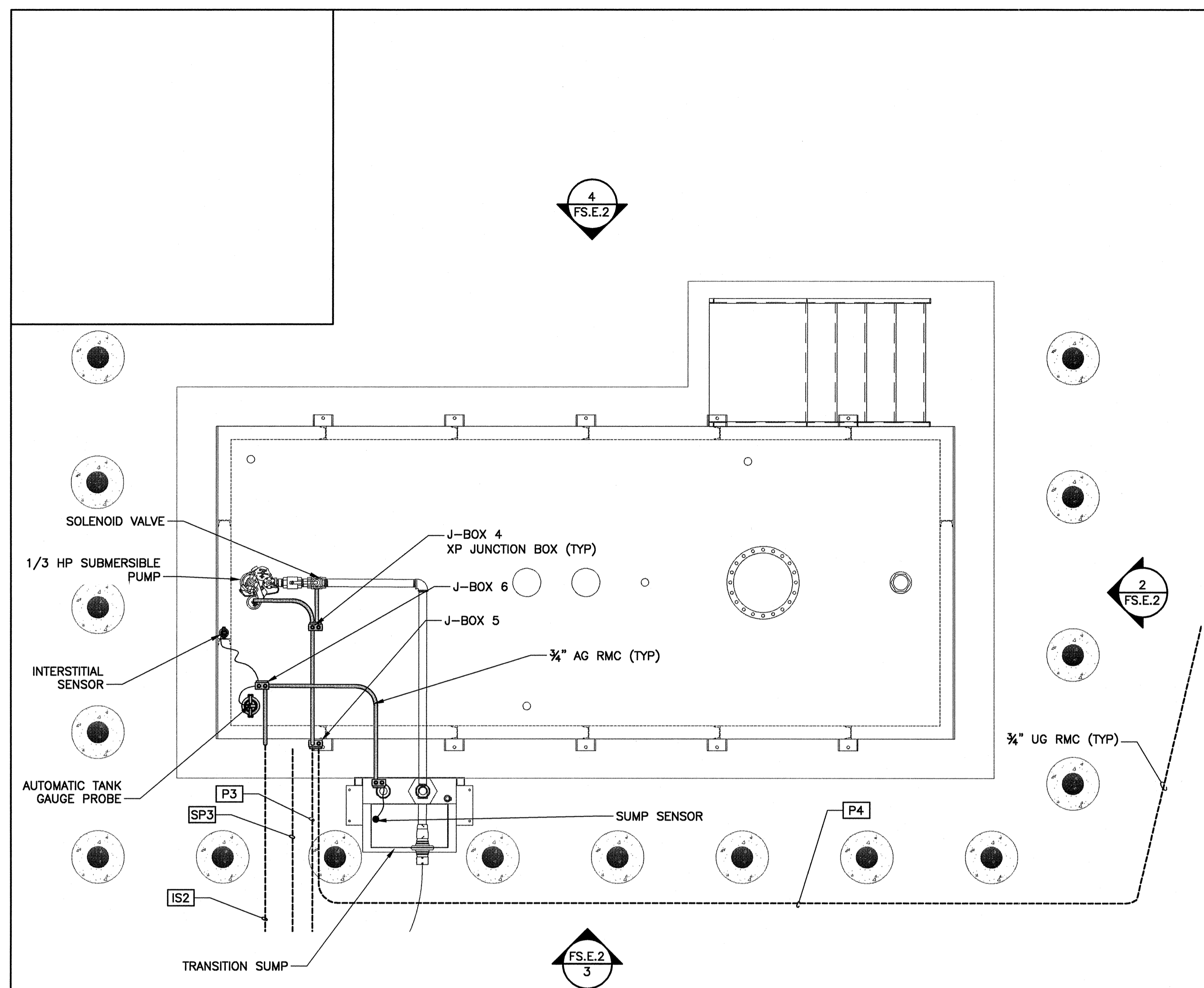
Consultants

Legend

Notes

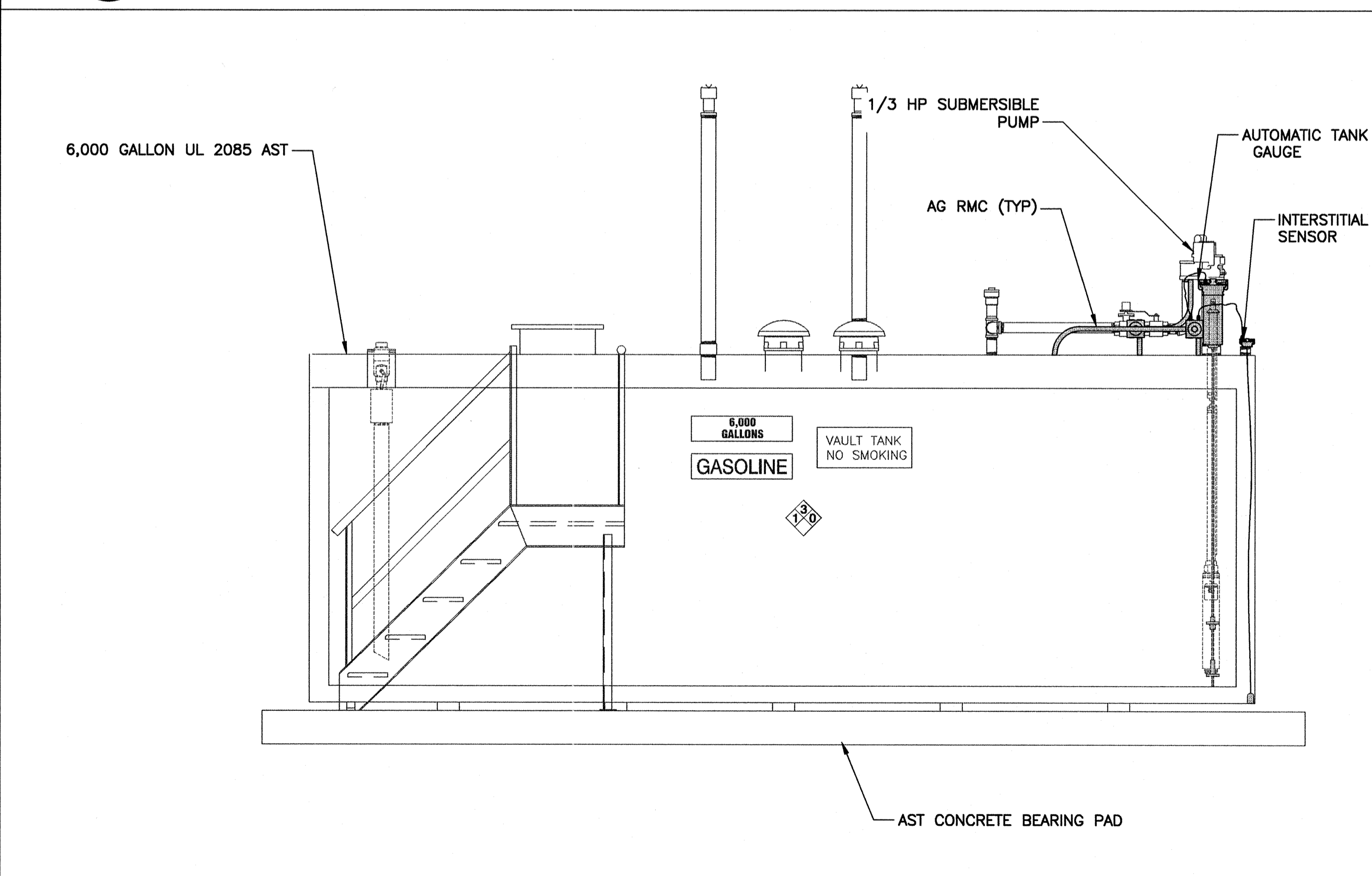
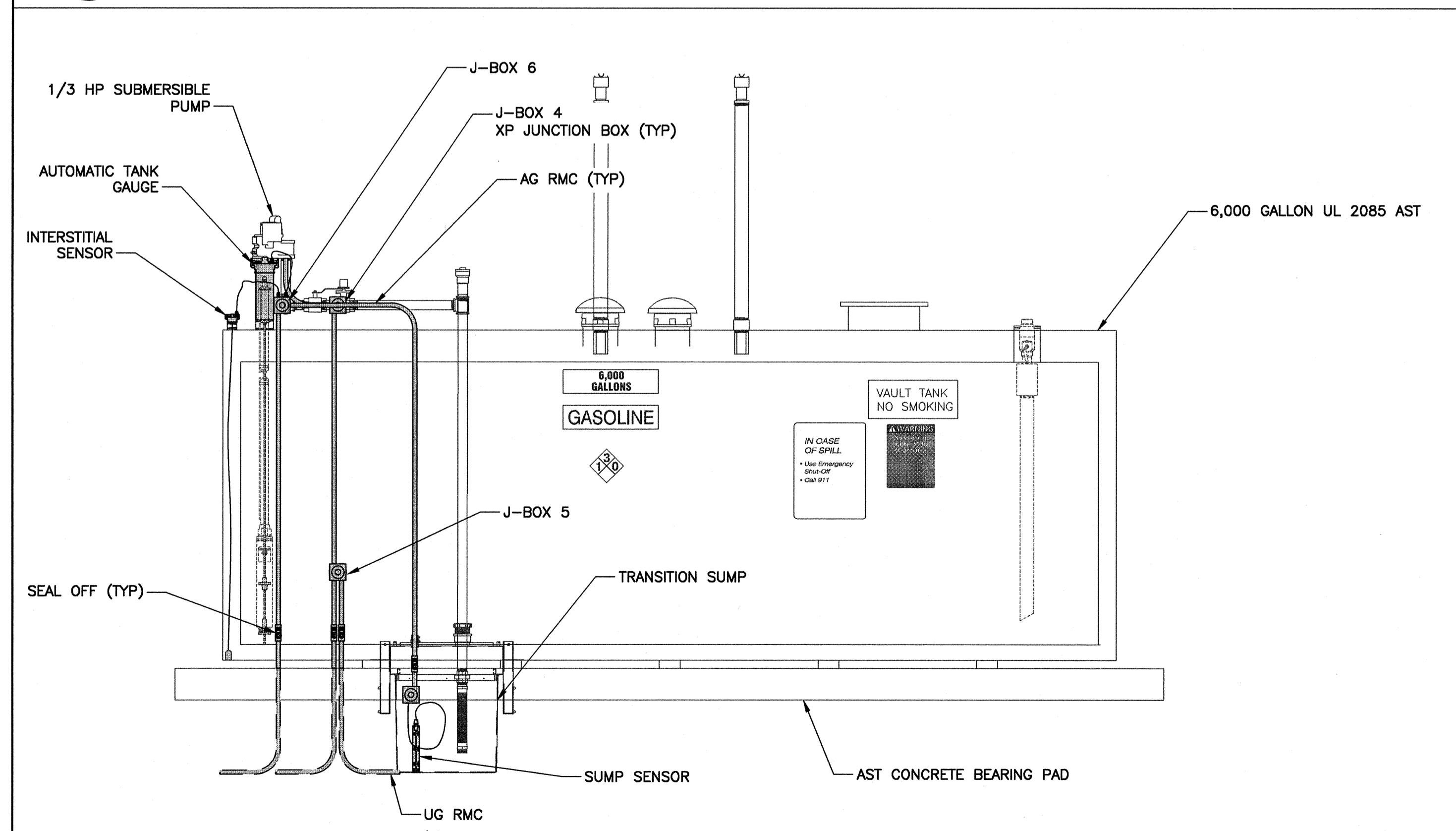


9-27-13



1 AST CONDUIT PLAN
FS.E.2 SCALE: 1/2" = 1'-0"

2 AST CONDUIT ELEVATION
FS.E.2 SCALE: 1/2" = 1'-0"



3 AST CONDUIT ELEVATION
FS.E.2 SCALE: 1/2" = 1'-0"

4 AST CONDUIT ELEVATION
FS.E.2 SCALE: 1/2" = 1'-0"

Revision	By	Appd.	YY.MM.DD
ISSUE FOR PERMIT	JES	JES	13.09.27
ISSUE FOR BID	JES	JES	13.09.10
Issued	By	Appd.	YY.MM.DD

File Name: 04_191711186_FS.E.dwg
Dwn. JSW /JSC /JSW
Chkd. /Dsgn. 1-20-12
YY.MM.DD



Client/Project
THE HERTZ CORPORATION

ABOVEGROUND STORAGE TANK
INSTALLATION AND RELATED WORK
PORTLAND, ME

Title
AST ELECTRICAL DETAILS

Project No.	Scale	
191711186	AS NOTED	
Drawing No.	Sheet	Revision
FS.E.2	17 of 19	0