

Stantec Consulting Services Inc.  
 5 Dartmouth Drive, Suite 101  
 Auburn NH U.S.A.  
 03032-3984  
 Tel. 603.669.8672  
 Fax. 603.669.7636  
 www.stantec.com

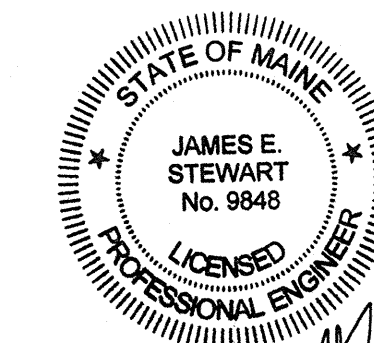
Copyright Reserved

The Contractor shall verify and be responsible for all dimensions. DO NOT scale the drawing - any errors or omissions shall be reported to Stantec without delay.  
 The Copyrights to all designs and drawings are the property of Stantec. Reproduction or use for any purpose other than that authorized by Stantec is forbidden.

Consultants

Legend

Notes



9-27-13

Revision	By	Appd.	YY.MM.DD
ISSUE FOR PERMIT	JES	JES	13.09.27
ISSUE FOR BID	JES	JES	13.09.10
Issued			YY.MM.DD

File Name: 02\_191711186\_FS.C.dwg JSW JKM/JSC JSW  
 Dwn. Chkd. Dsgn. 1-20-12 YY.MM.DD



Client/Project  
 THE HERTZ CORPORATION

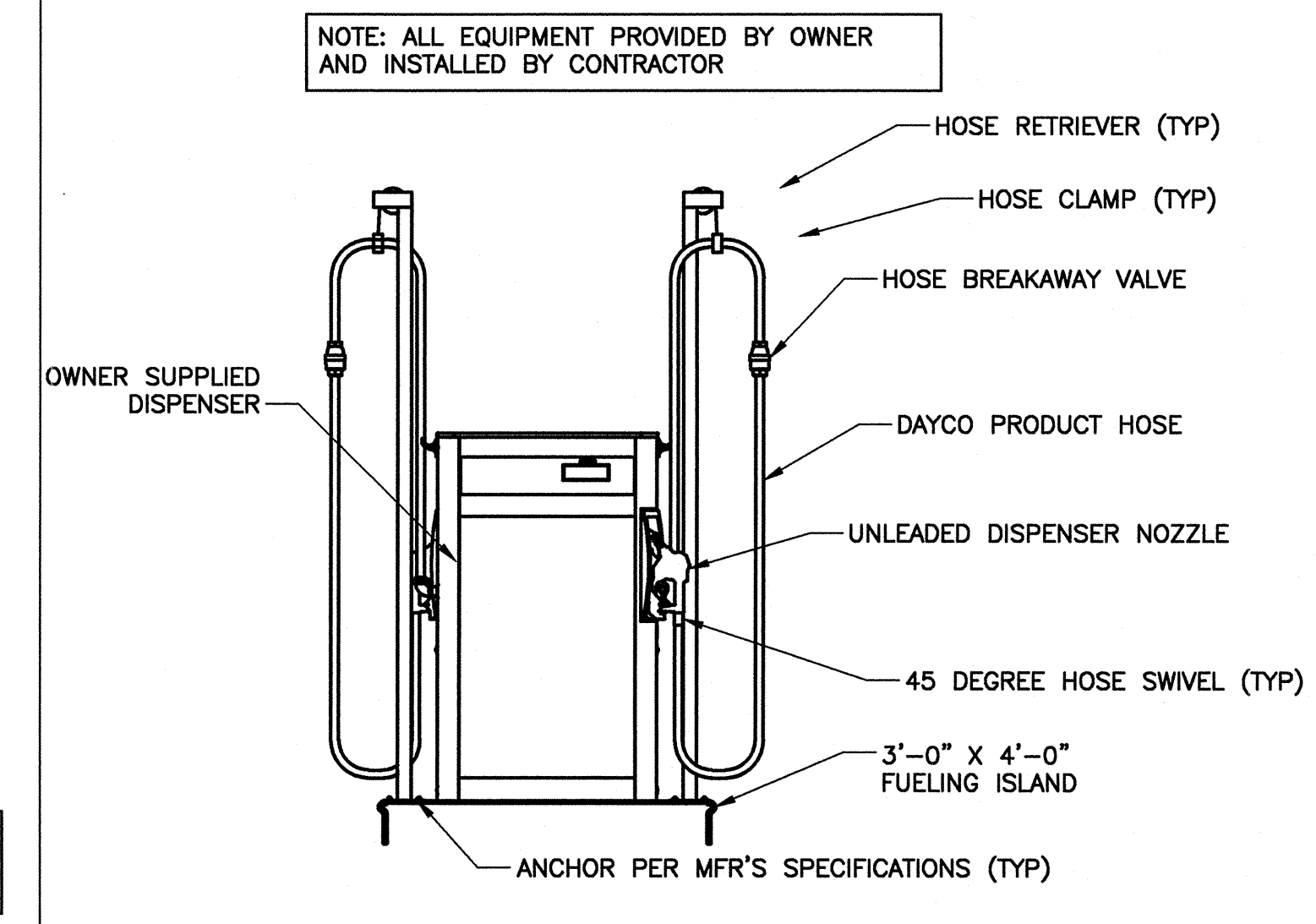
ABOVEGROUND STORAGE TANK  
 INSTALLATION AND RELATED WORK  
 PORTLAND, ME

Title  
 ISLAND AND CANOPY ELEVATION

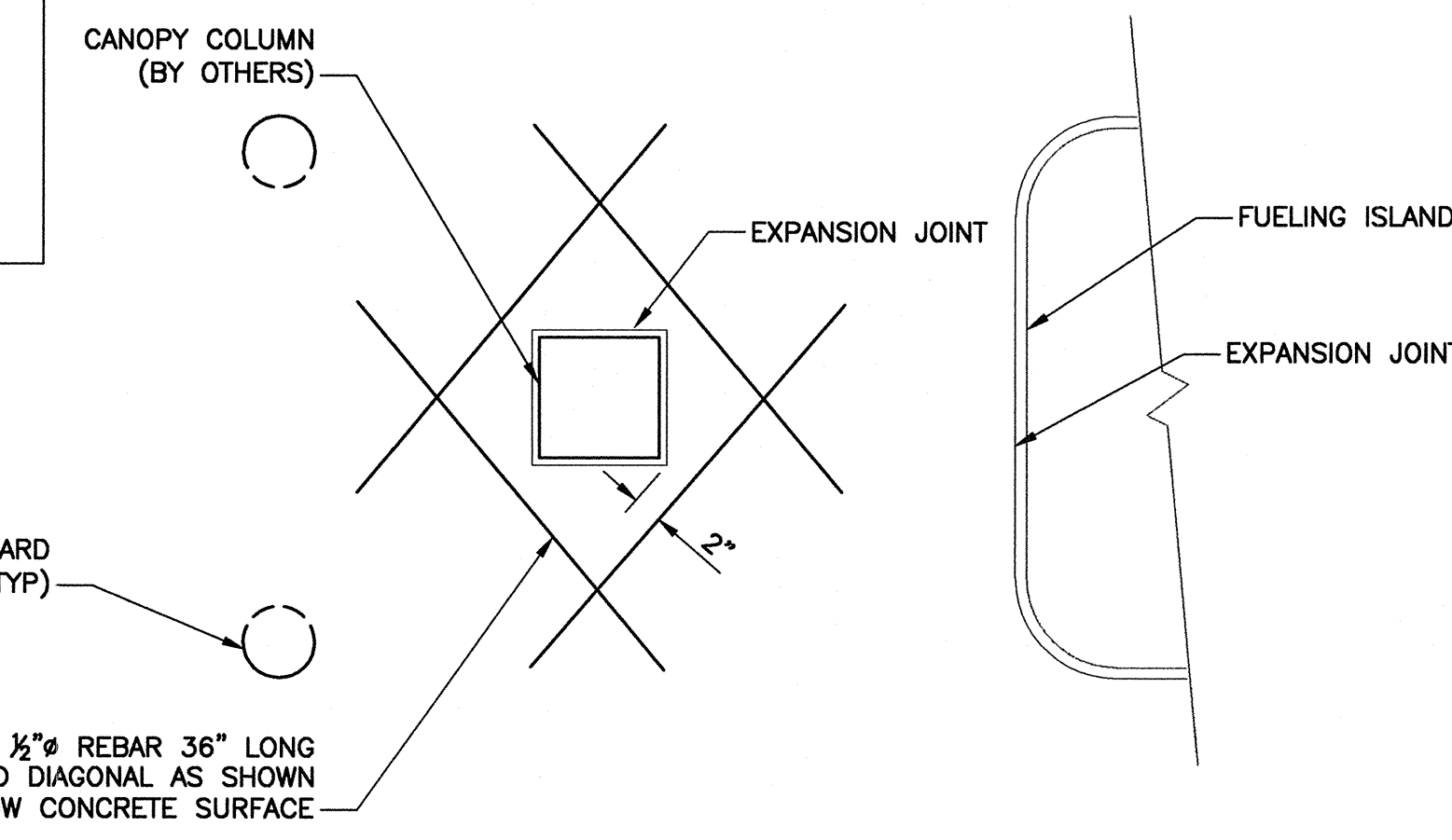
Project No. 191711186 Scale AS NOTED

Drawing No. Sheet Revision

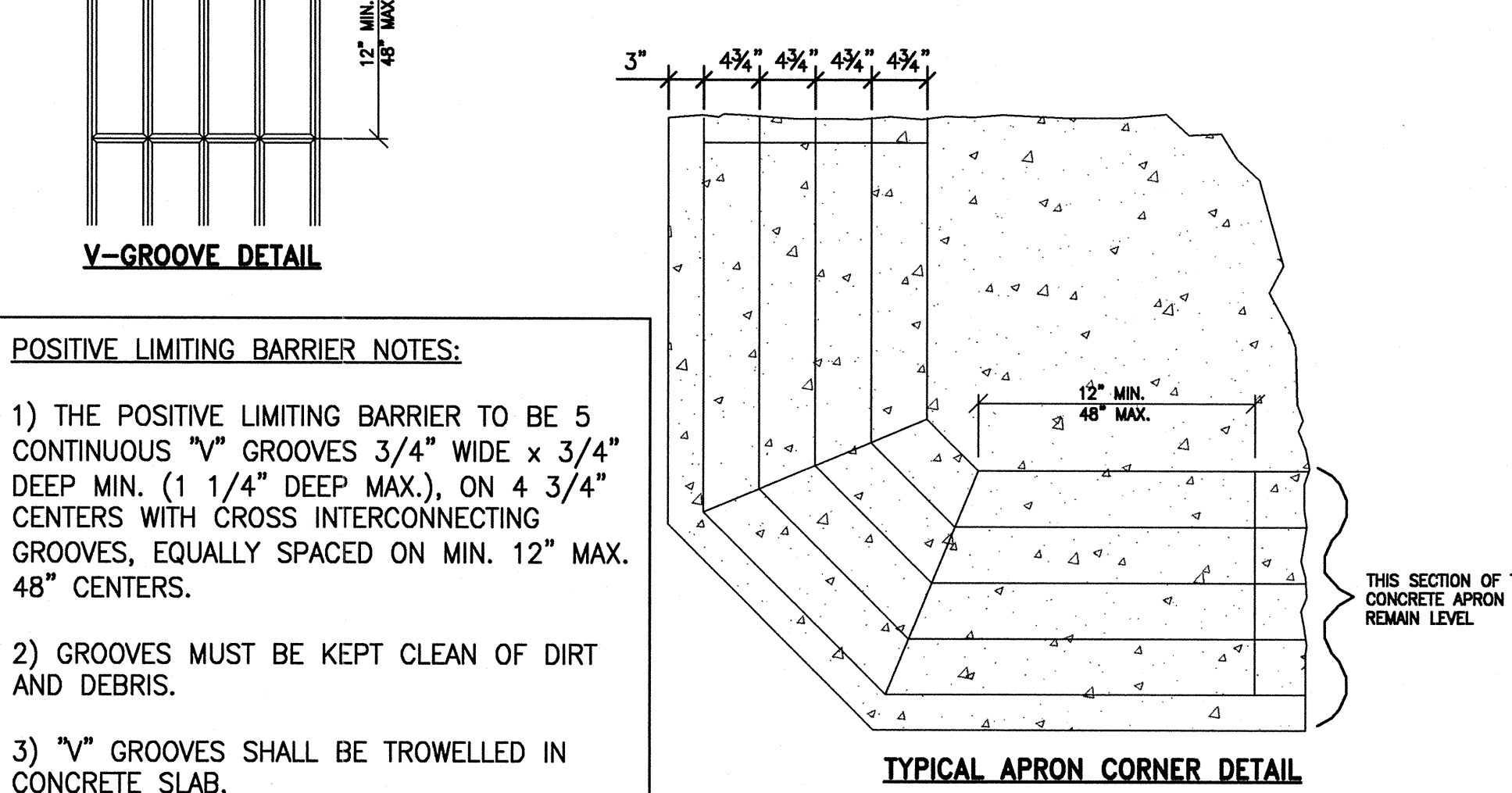
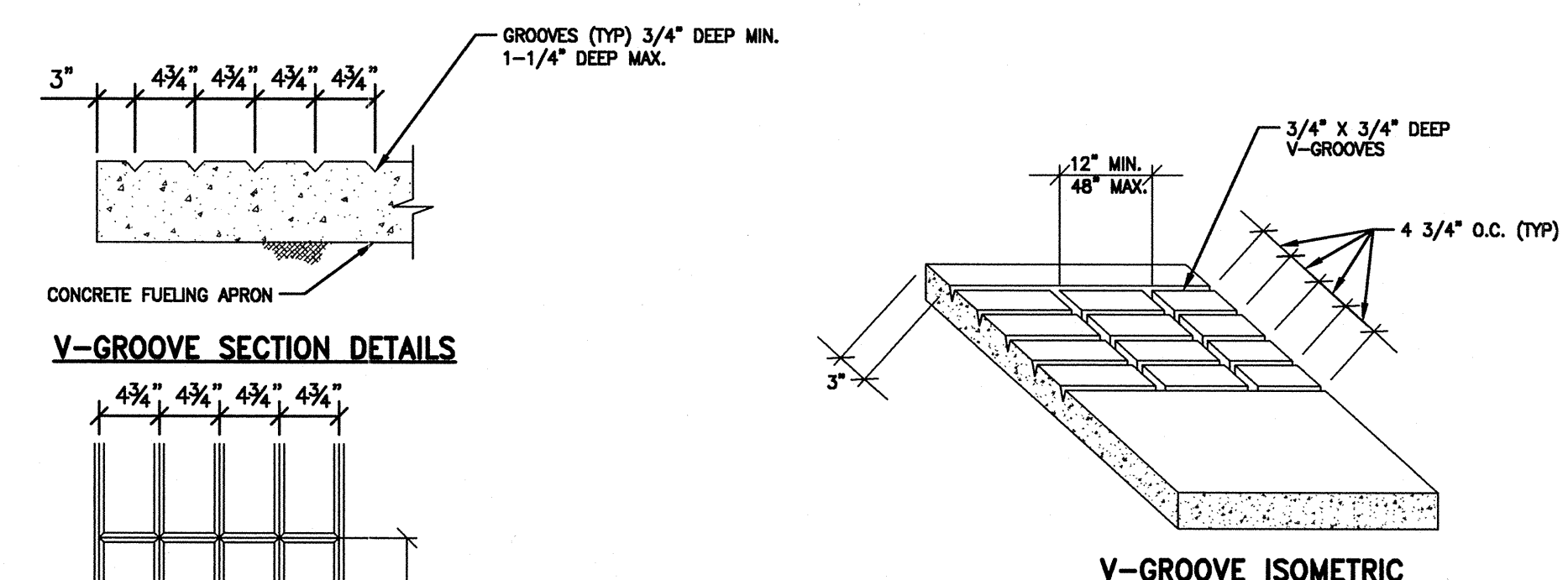
FS.C.3 8 of 19 0



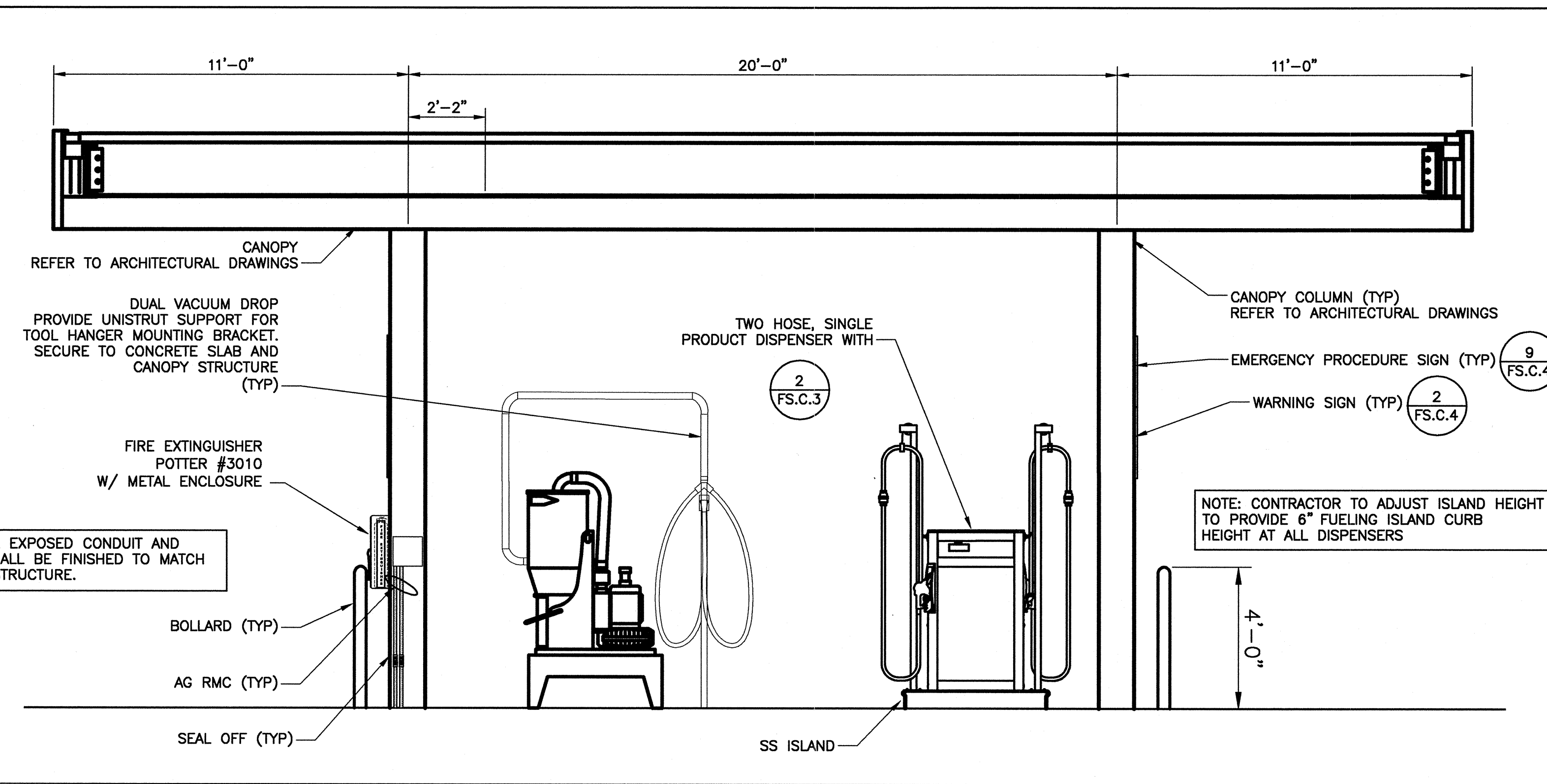
2 DISPENSER DETAIL  
 FS.C.3 SCALE: NOT TO SCALE



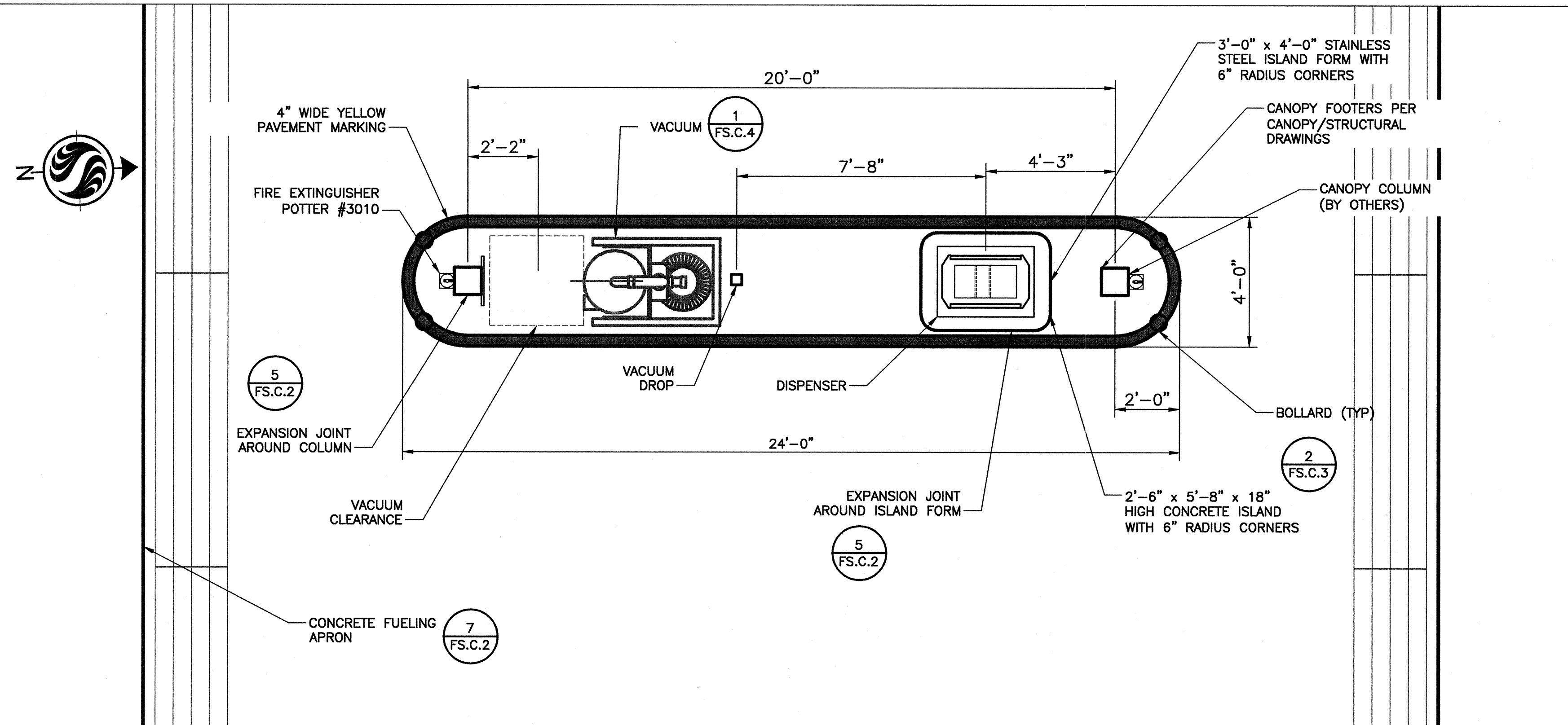
4 REINFORCING AT CANOPY COLUMN  
 FS.C.3 SCALE: NOT TO SCALE



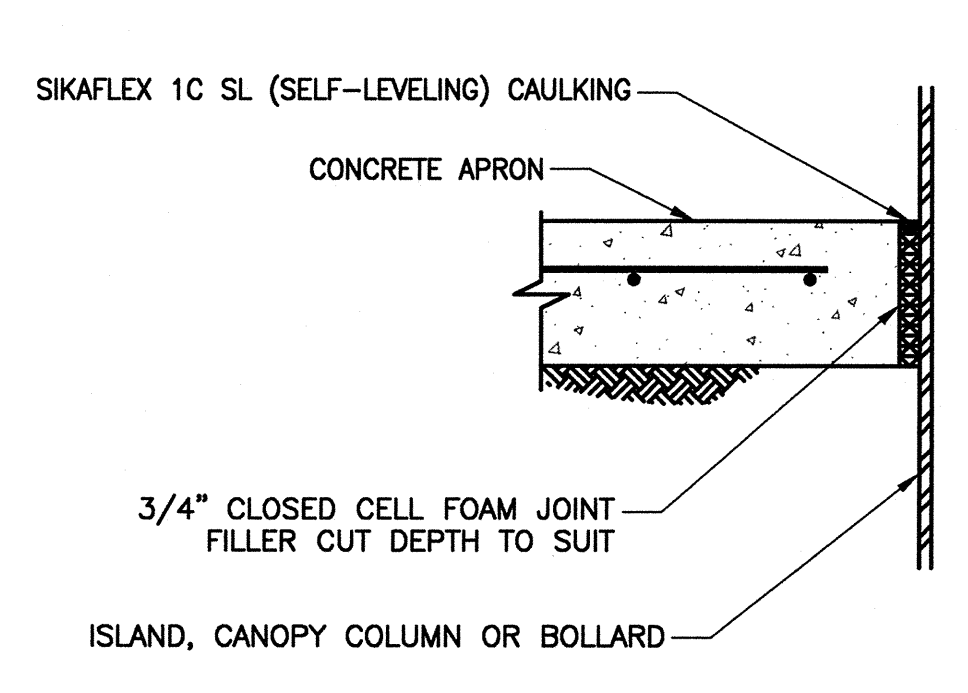
8 POSITIVE LIMITING BARRIER DETAIL  
 FS.C.3 SCALE: NOT TO SCALE



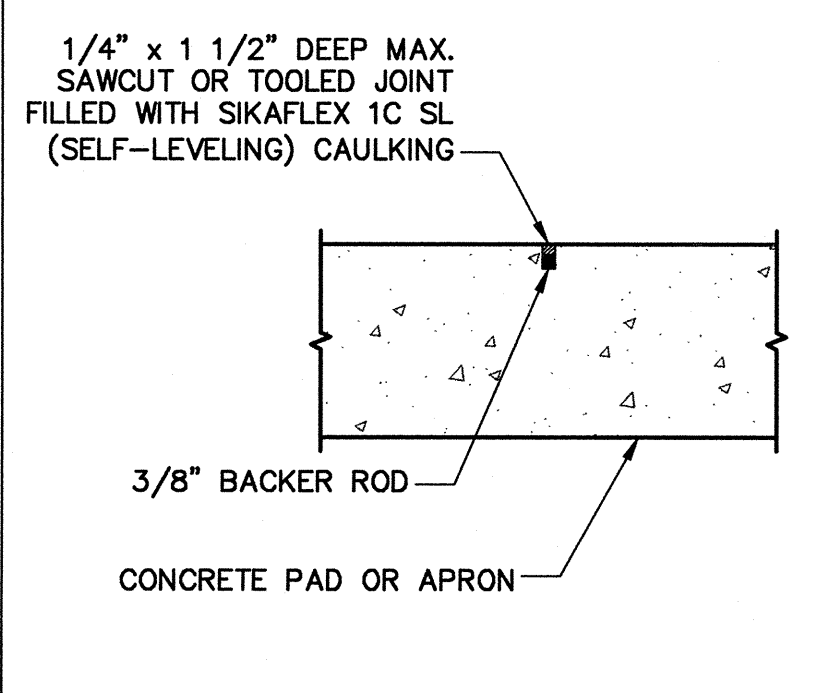
1 FUELING POSITION ELEVATION  
 FS.C.3 SCALE: NOT TO SCALE



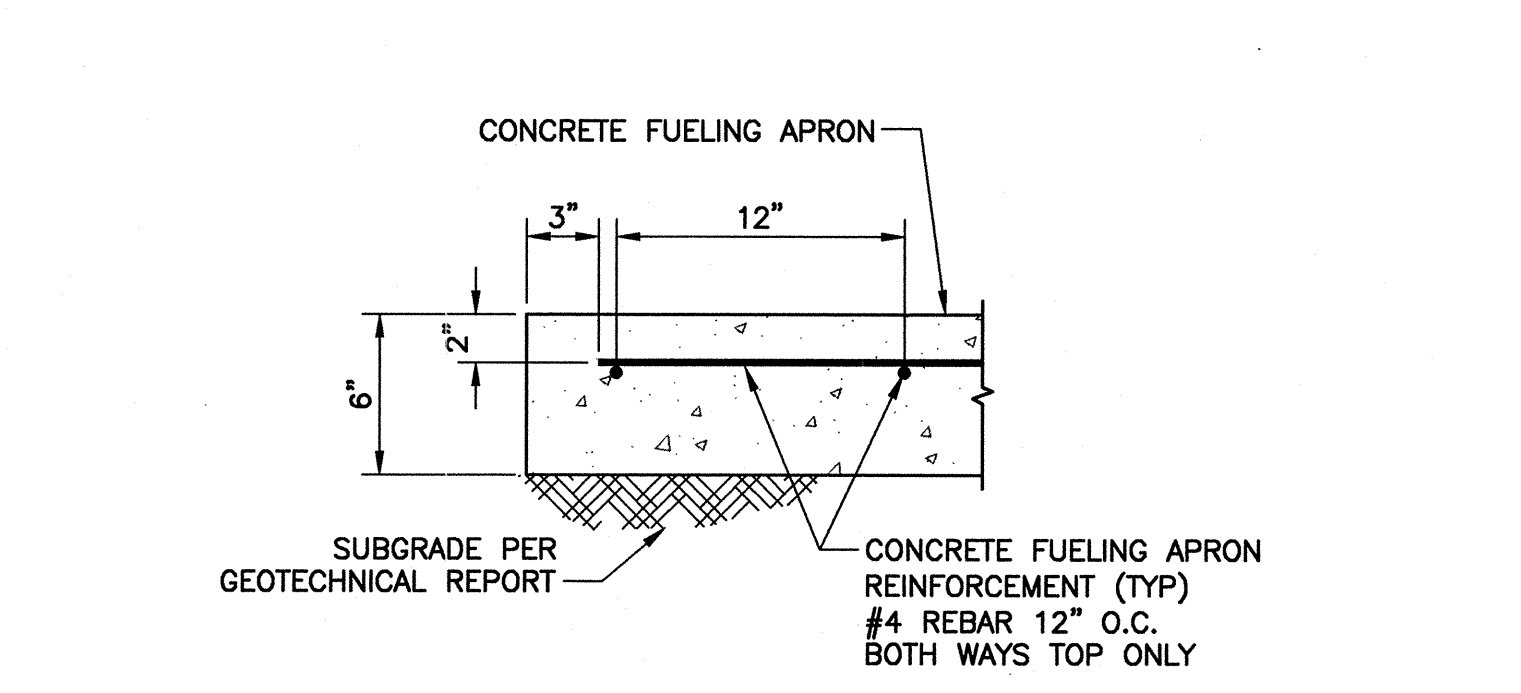
3 FUELING ISLAND PLAN  
 FS.C.2 SCALE: NOT TO SCALE



5 EXPANSION JOINT DETAIL  
 FS.C.3 SCALE: NOT TO SCALE



6 SAWCUT DETAIL  
 FS.C.3 SCALE: NOT TO SCALE



7 CONCRETE FUELING APRON DETAIL  
 FS.C.3 SCALE: NOT TO SCALE