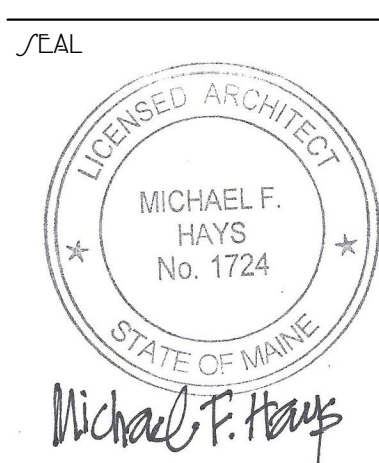


GRANT HAYS  
ASSOCIATES

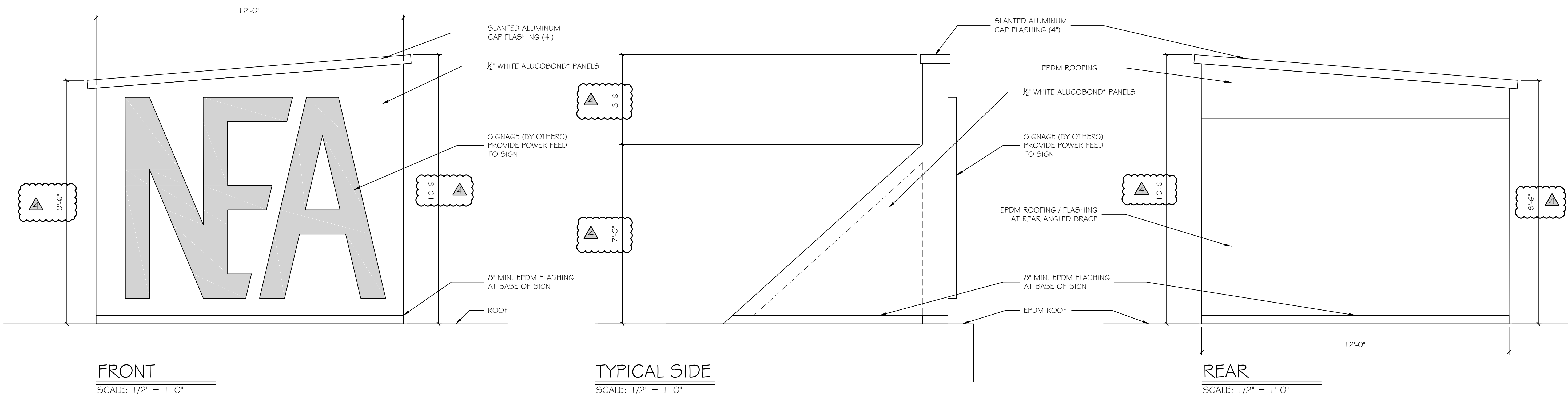
ARCHITECTURE & INTERIOR DESIGN  
P.O. BOX 6179 FALMOUTH MAINE 04105  
207.871.5900 www.granthays.com



REV/10/17  
20 JUNE 2016  
22 JUNE 2016  
ROOF SIGN

DRAWING NAME

NEA  
NORTH EAST AIR  
PORTLAND INTERNATIONAL AIRPORT  
PORTLAND, MAINE 04102



FRONT

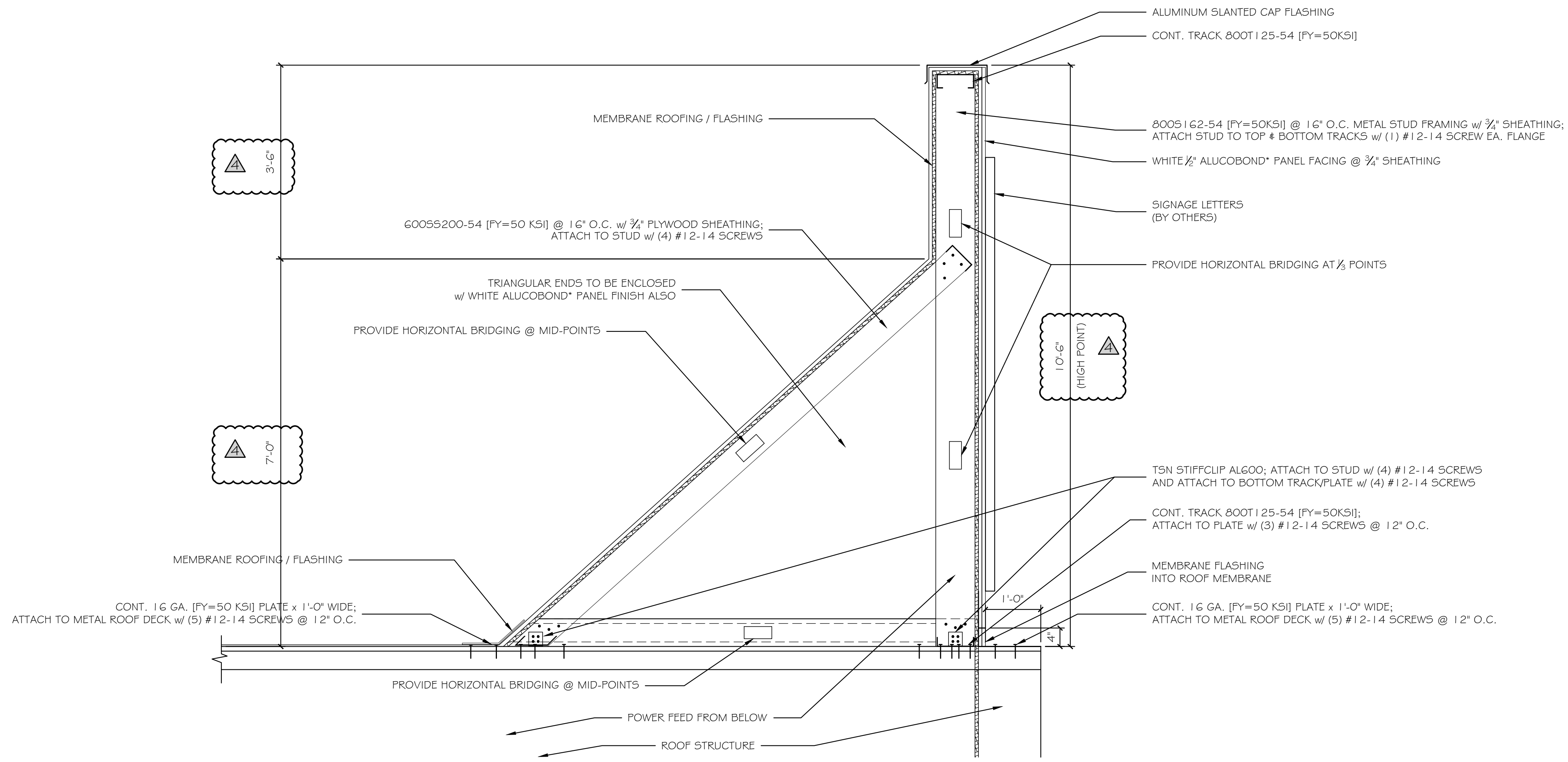
SCALE: 1/2" = 1'-0"

TYPICAL SIDE

SCALE: 1/2" = 1'-0"

REAR

SCALE: 1/2" = 1'-0"



SECTION

SCALE: 3/4" = 1'-0"

\*GC OPTION:  
WHITE EPDM AT ALL SURFACES  
IN LIEU OF ALUCOBOND.

/SHEET

ROOF  
SIGN  
PARAPET

DATE  
19 FEB '16  
SCALE  
AS NOTED  
DRAWN  
MFH/mgk  
JOB NO.  
150655  
/SHEET

A22

COPYRIGHT  
REPRODUCTION OR REVISE OF THIS  
DOCUMENT WITHOUT WRITTEN  
PERMISSION FROM GRANT HAYS  
ASSOCIATES IS PROHIBITED.