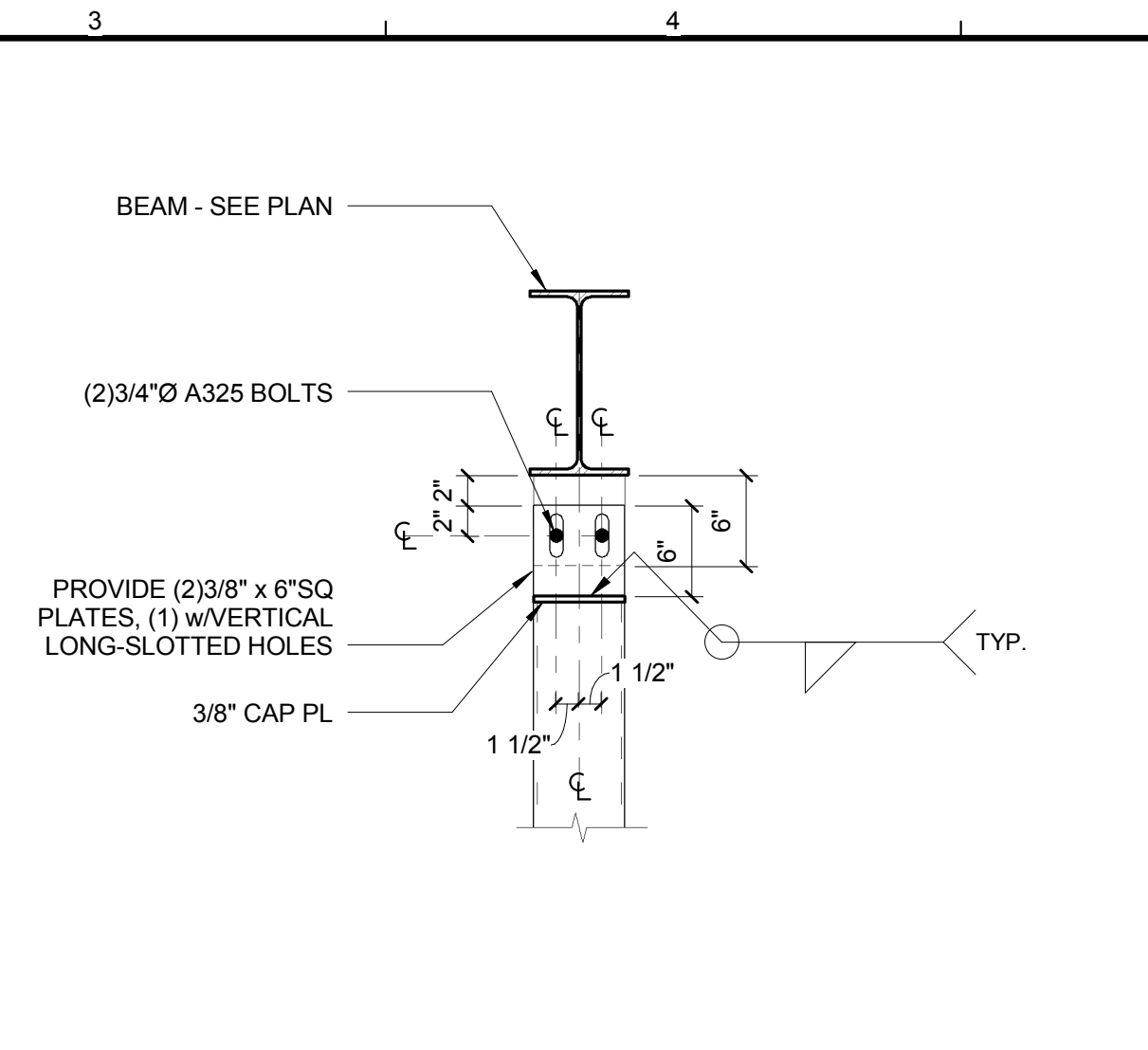
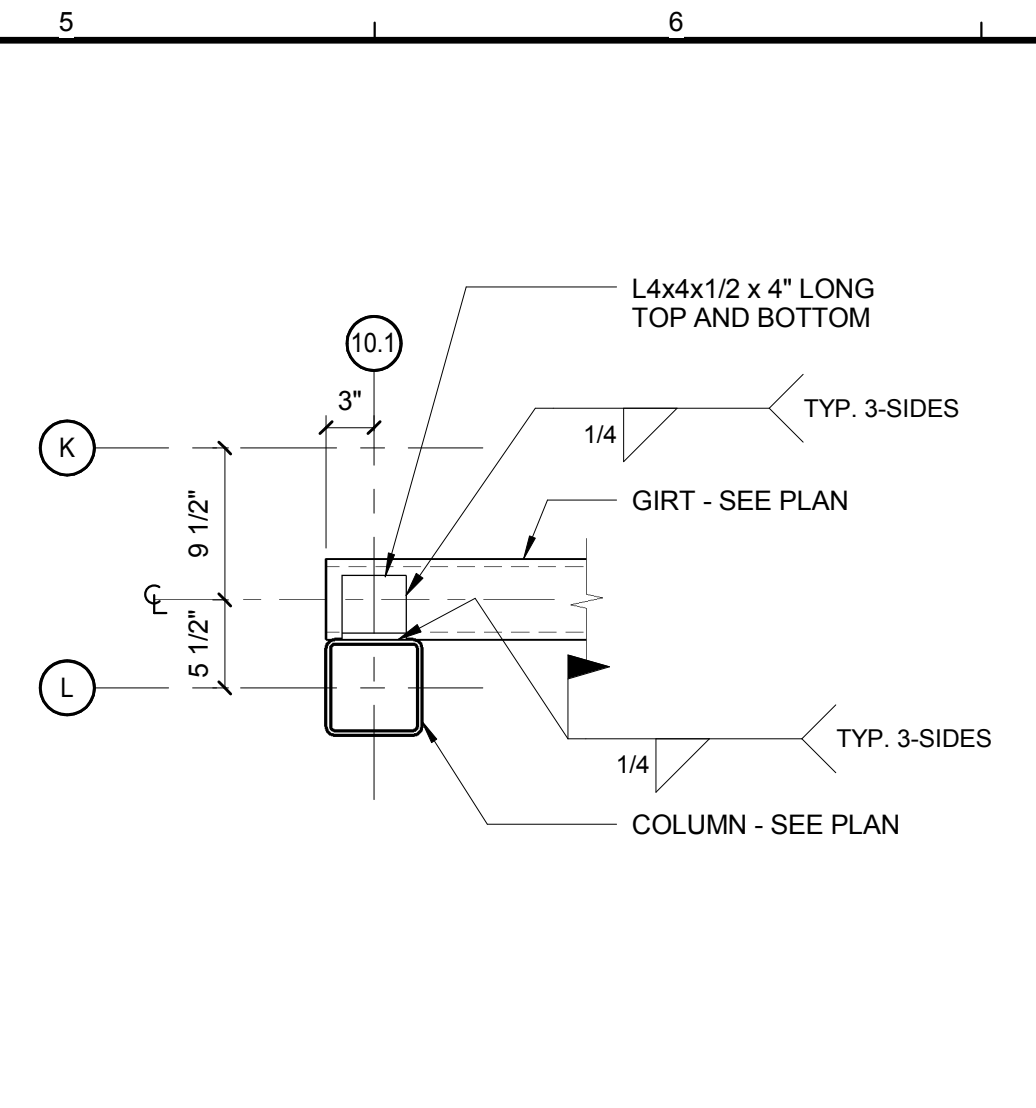


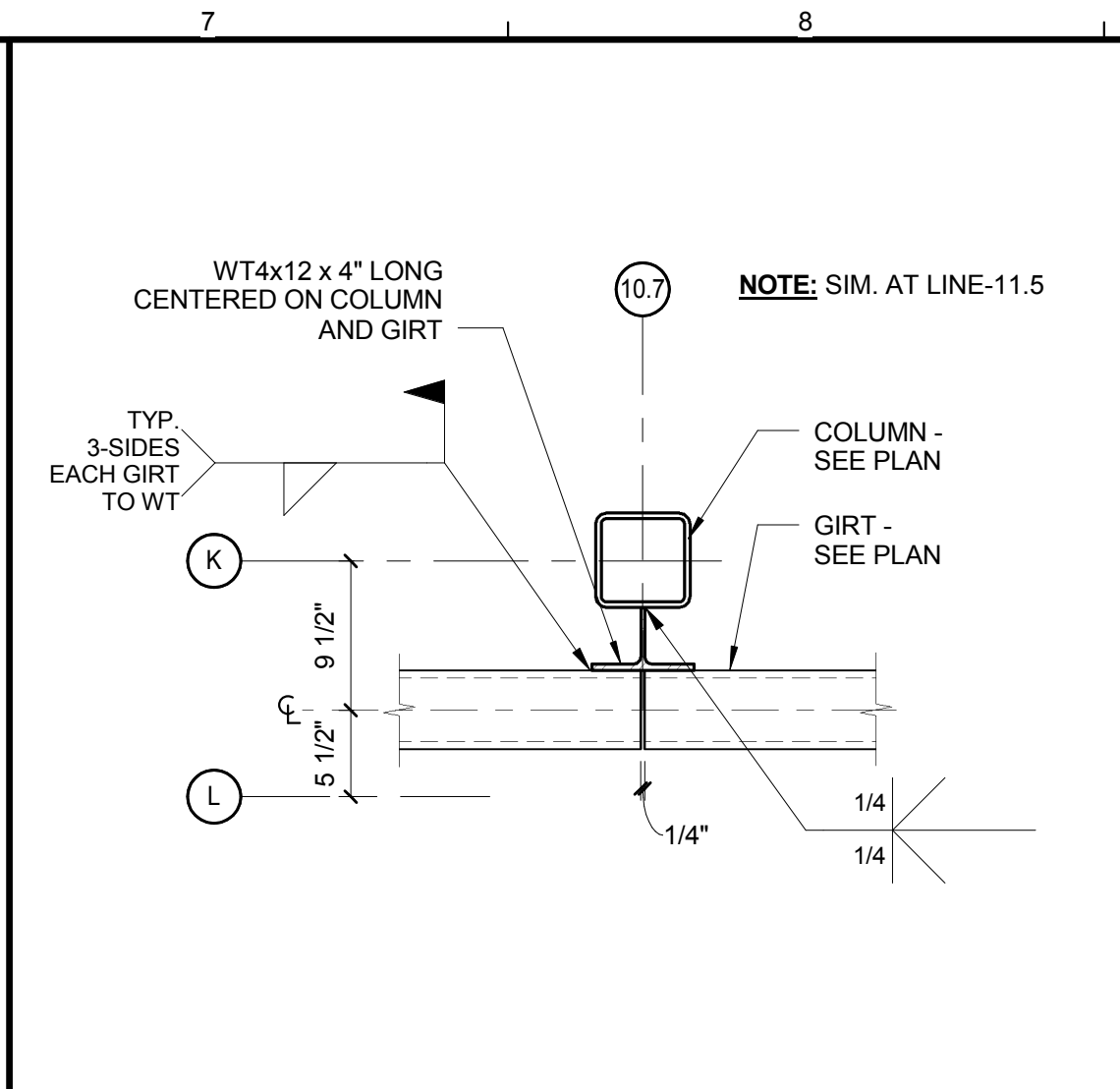
F1 HSS TO HSS CONNECTION
1 1/2" = 1'-0"



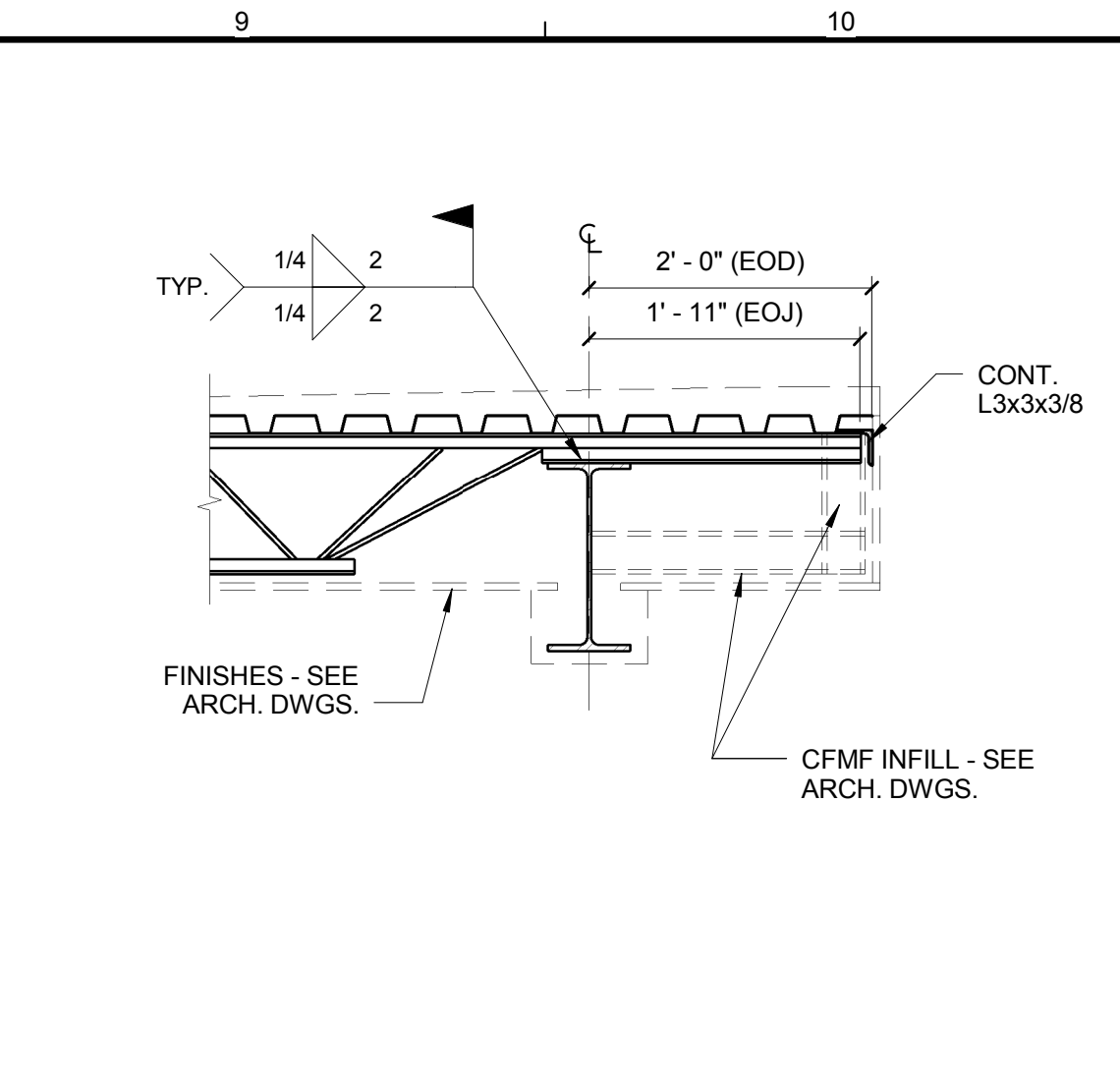
F3 HSS COLUMN DEFLECTION CONNECTION
1" = 1'-0"



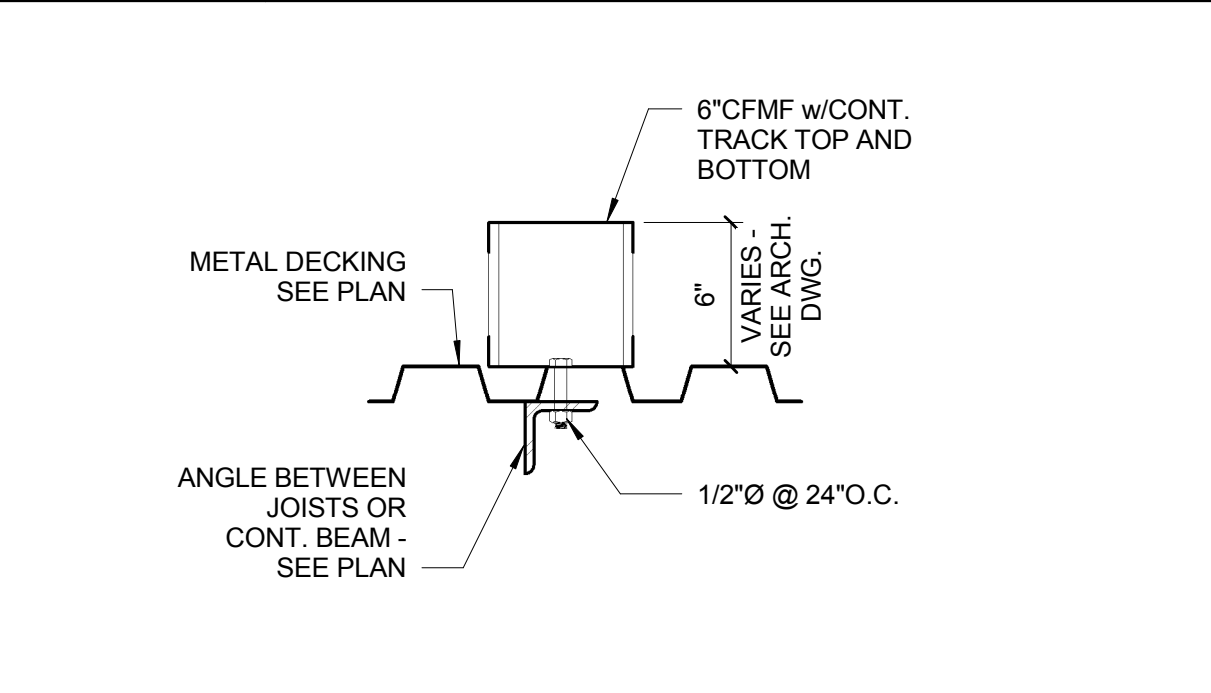
F5 GIRT CONNECTION
1" = 1'-0"



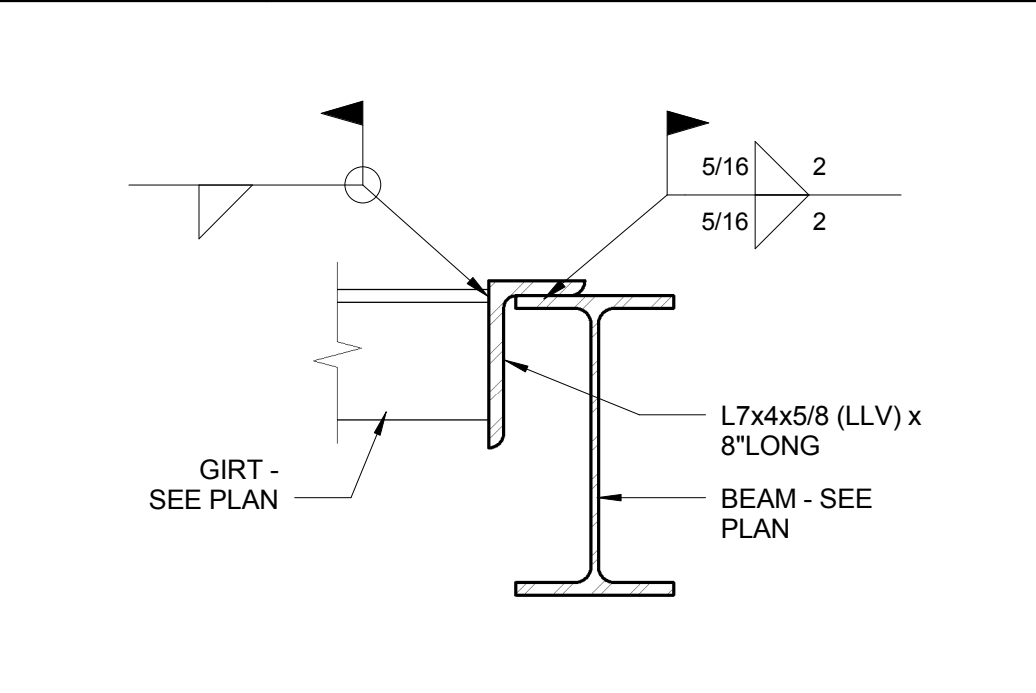
F7 GIRT CONNECTION
1" = 1'-0"



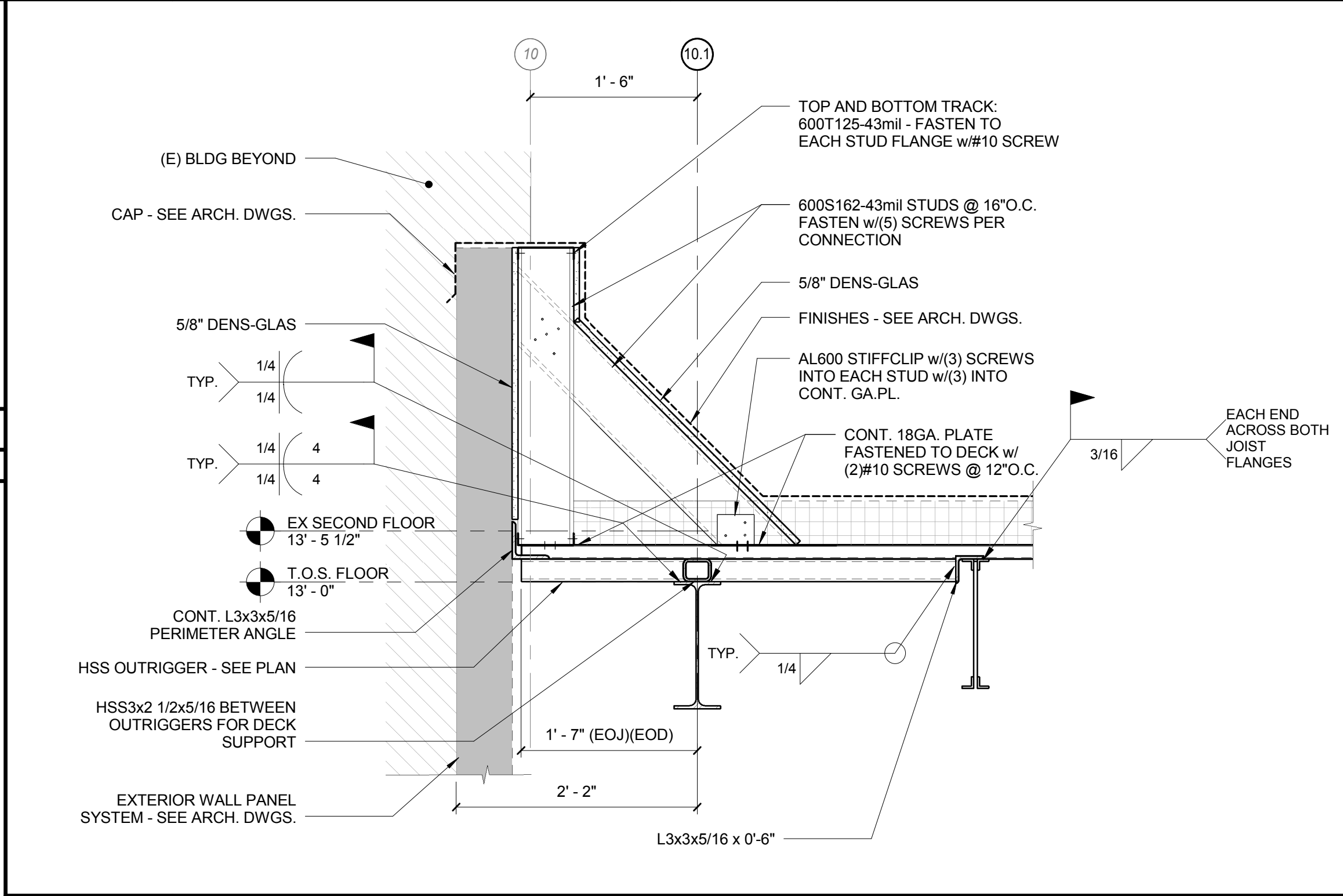
F9 JOIST BEARING AT PORTE COCHERE
3/4" = 1'-0"



E3 CFMF CURB WALL DETAIL
1 1/2" = 1'-0"



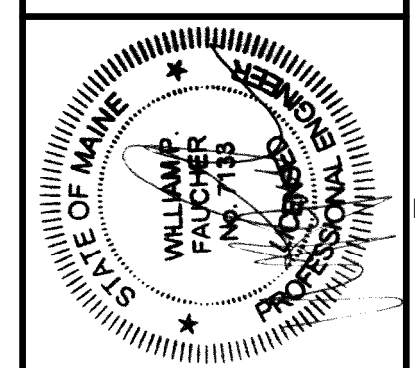
E5 DETAIL
1 1/2" = 1'-0"



D7 DETAIL
1" = 1'-0"

160 Veranda Street
Portland, Maine 04103
T: 207.221.2260
F: 207.221.2266
Web: www.allied-eng.com

Allied Engineering
Structural Mechanical Electrical Commissioning



GRANT HAYS ASSOCIATES
ARCHITECTURE & INTERIOR DESIGN
P.O. BOX 6179 FALMOUTH MAINE 04105
207.871.9900 www.granthays.com

Date: 01-27-2016
Drawn By: PED
Checked By: JPM
Project Mgr.: WPF
Project No.: 15028
Card File: 15028S.rvt
Graphic Scale: 0" = 1'

STRUCTURAL - DETAILS

NEA NORTHEAST AIR
PORTLAND INTERNATIONAL AIRPORT
1011 WESTBROOK STREET PORTLAND, MAINE 04102

© COPYRIGHT 2016 ALLIED ENGINEERING, INC.

SF-502