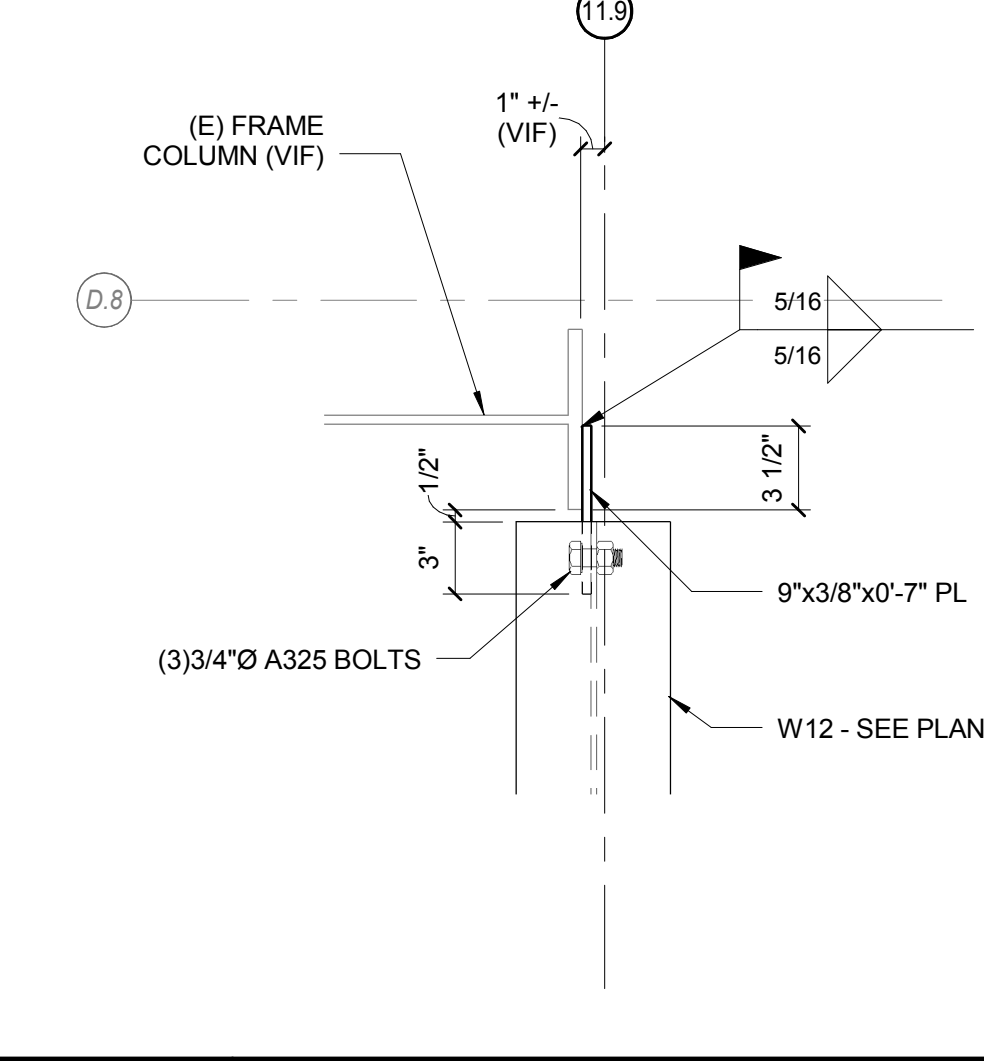
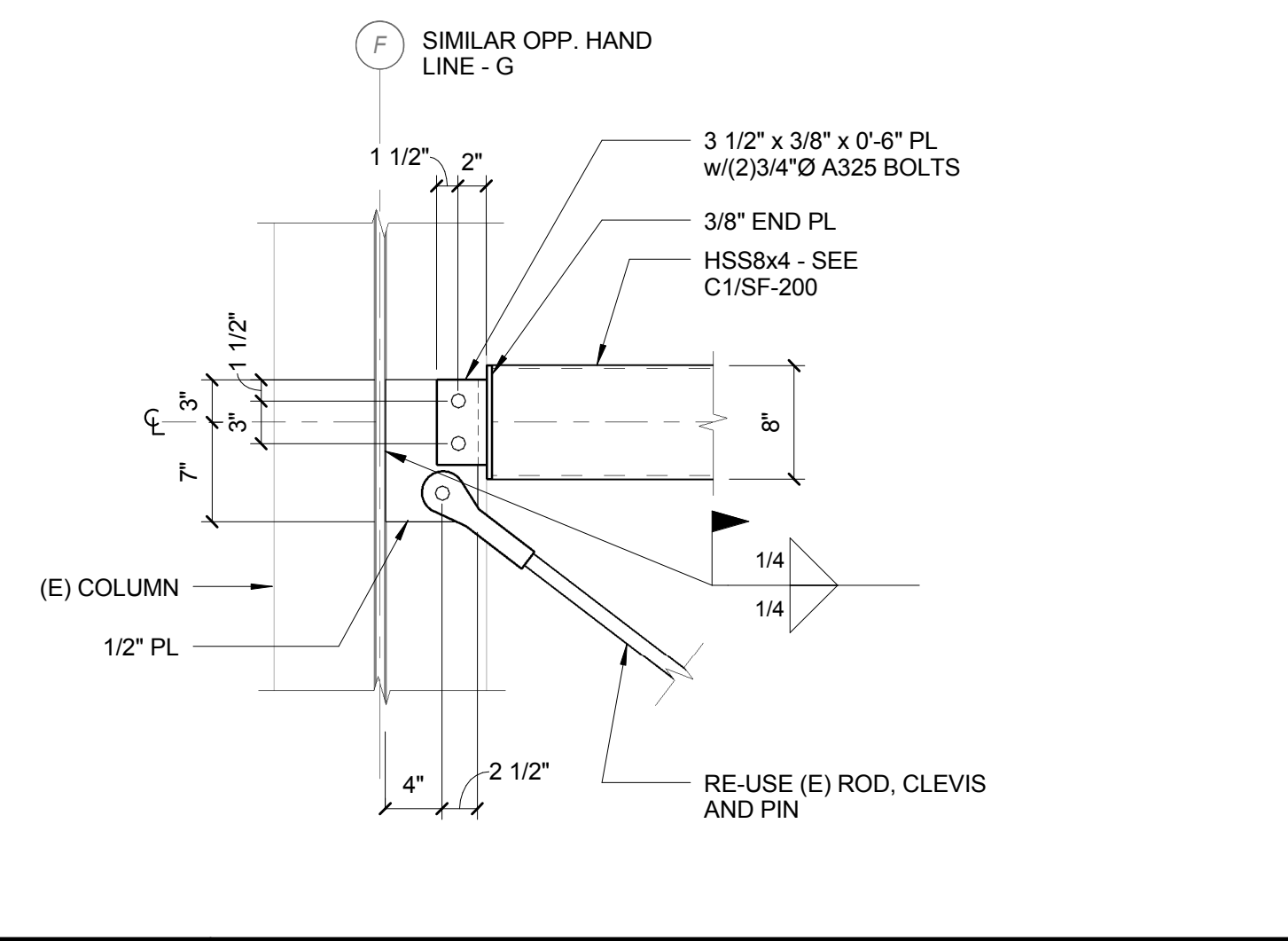
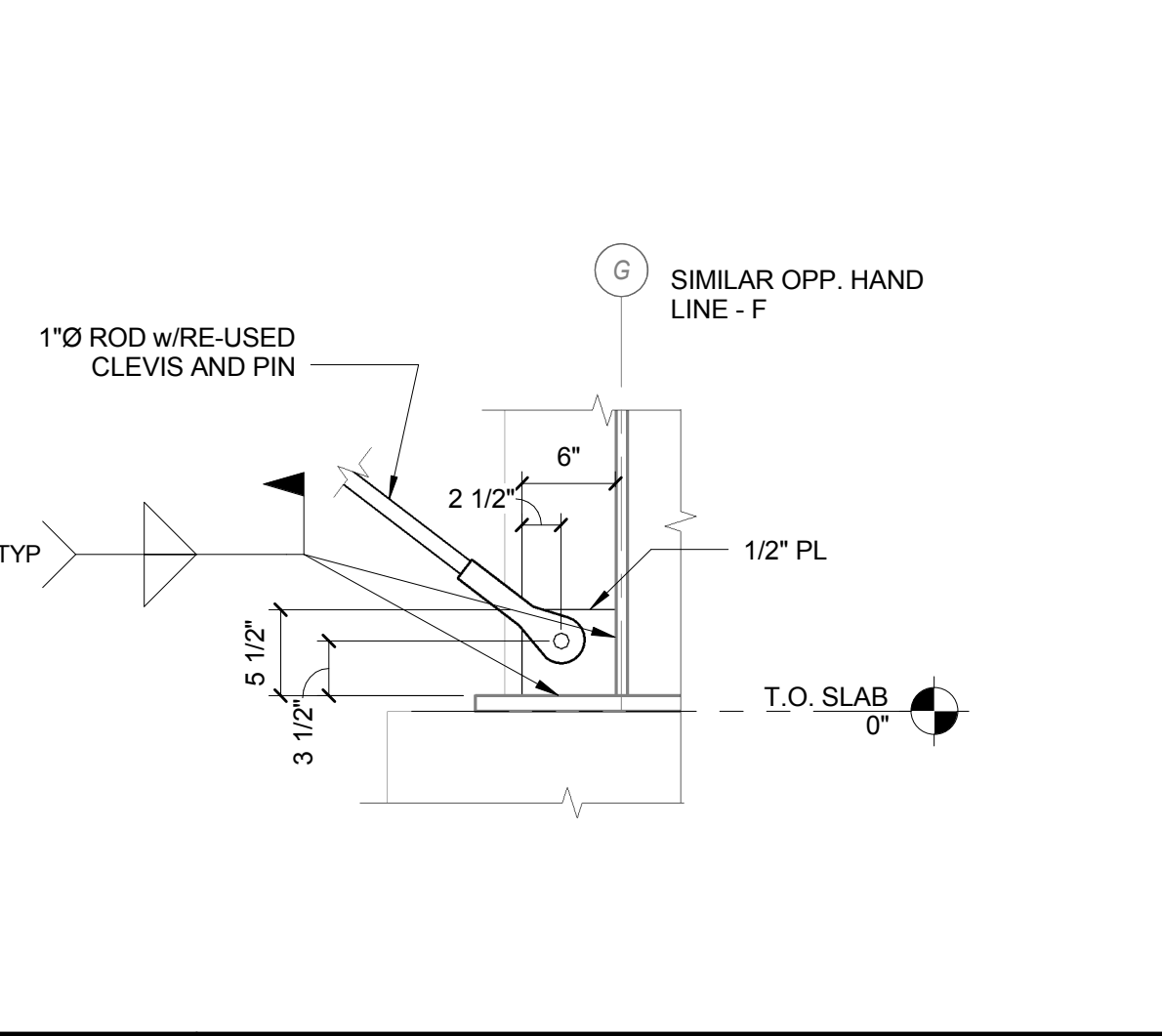


C1 RELOCATED BRACE AT HANGER

C6 RELOCATED BRACE AT STAIR

3/8" = 1'-0"

3/8" = 1'-0"



A1 DETAIL

A3 DETAIL

A6 ENLARGED PLAN VIEW

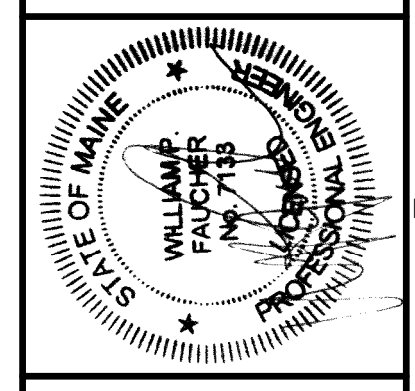
1" = 1'-0"

1" = 1'-0"

1 1/2" = 1'-0"

160 Veranda Street
Portland, Maine 04103
T: 207.221.2260
F: 207.221.2266
Web: www.allied-eng.com

Allied Engineering
Structural Mechanical Electrical Commissioning



GRANT HAYS ASSOCIATES
ARCHITECTURE & INTERIOR DESIGN
P.O. BOX 6179 FALMOUTH MAINE 04105
207.871.9900 gha@granthays.com

Date: 01-27-2016
Drawn By: PED
Checked By: JPM
Project Mgr: WPF
Project No.: 15028
Card File: 15028S.rvt
Graphic Scale: 0"

STRUCTURAL - ROD CROSS BRACING
ELEVATIONS AND DETAILS

NFA NORTH EAST AIR
PORTLAND INTERNATIONAL AIRPORT
1011 WESTBROOK STREET PORTLAND, MAINE 04102

SF-200

N:\Projects\2015\15028 - Northeast Air Terminal Building\00 Drawing Files\201515028S.rvt