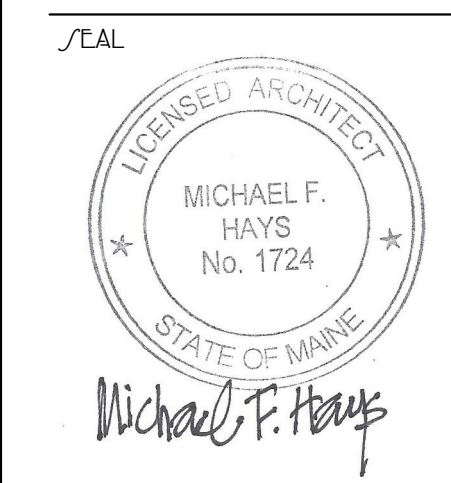


GRANT HAYS ASSOCIATES

ARCHITECTURE & INTERIOR DESIGN
P.O. BOX 6179 FALMOUTH MAINE 04105
207.871.5900 www.granthays.com



REV/NO/V

DRAWING NAME

NEA
NORTH EAST AIR
PORTLAND INTERNATIONAL JETPORT

1011 WESTBROOK STREET
PORTLAND, MAINE 04102

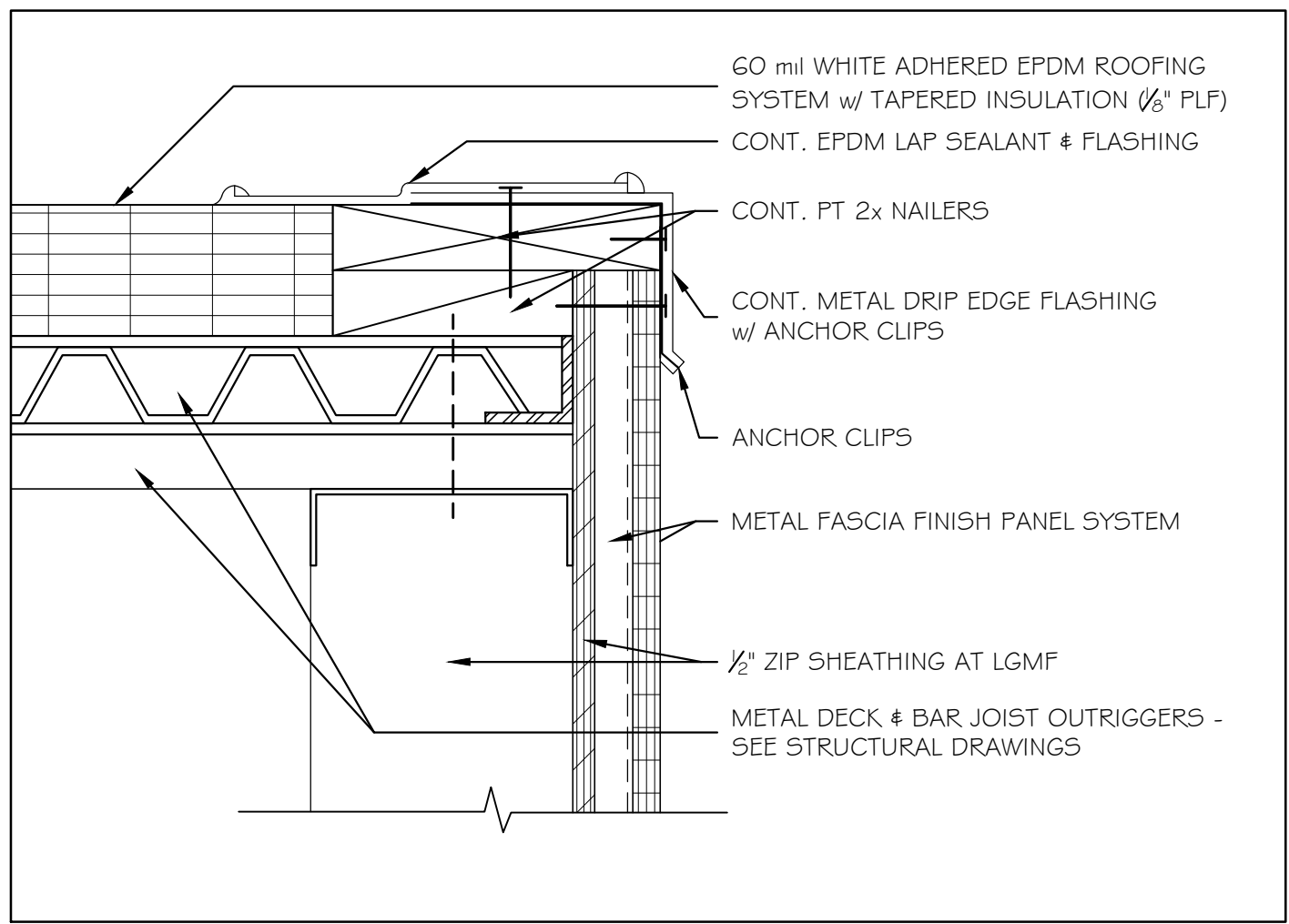
SHEET

PHASE I
ROOF PLAN
& DETAILS

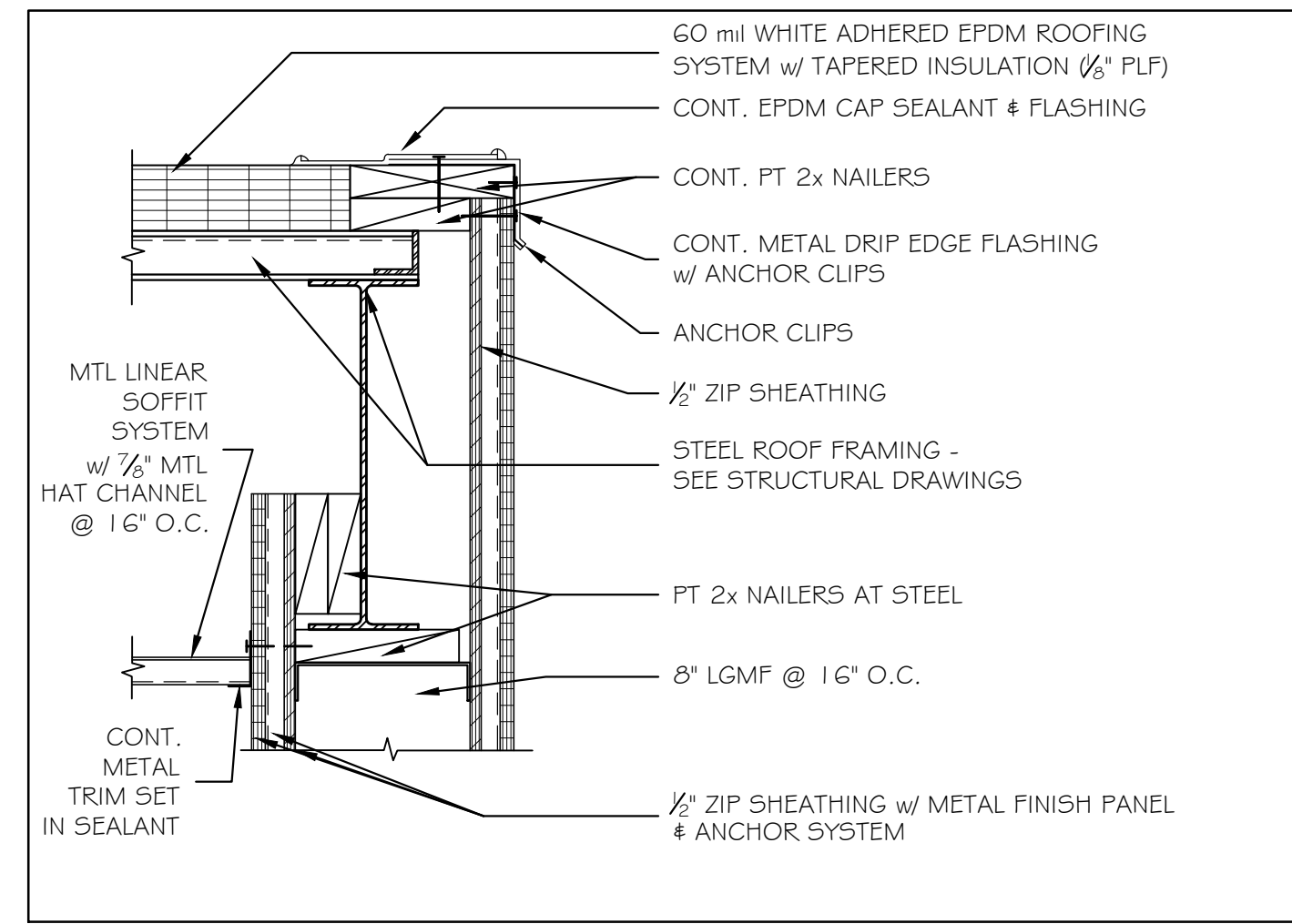
DATE: 19 FEB '16
SCALE: AS NOTED
DRAWN: MFH/mgk
JOB NO.: 150655
SHEET

A6

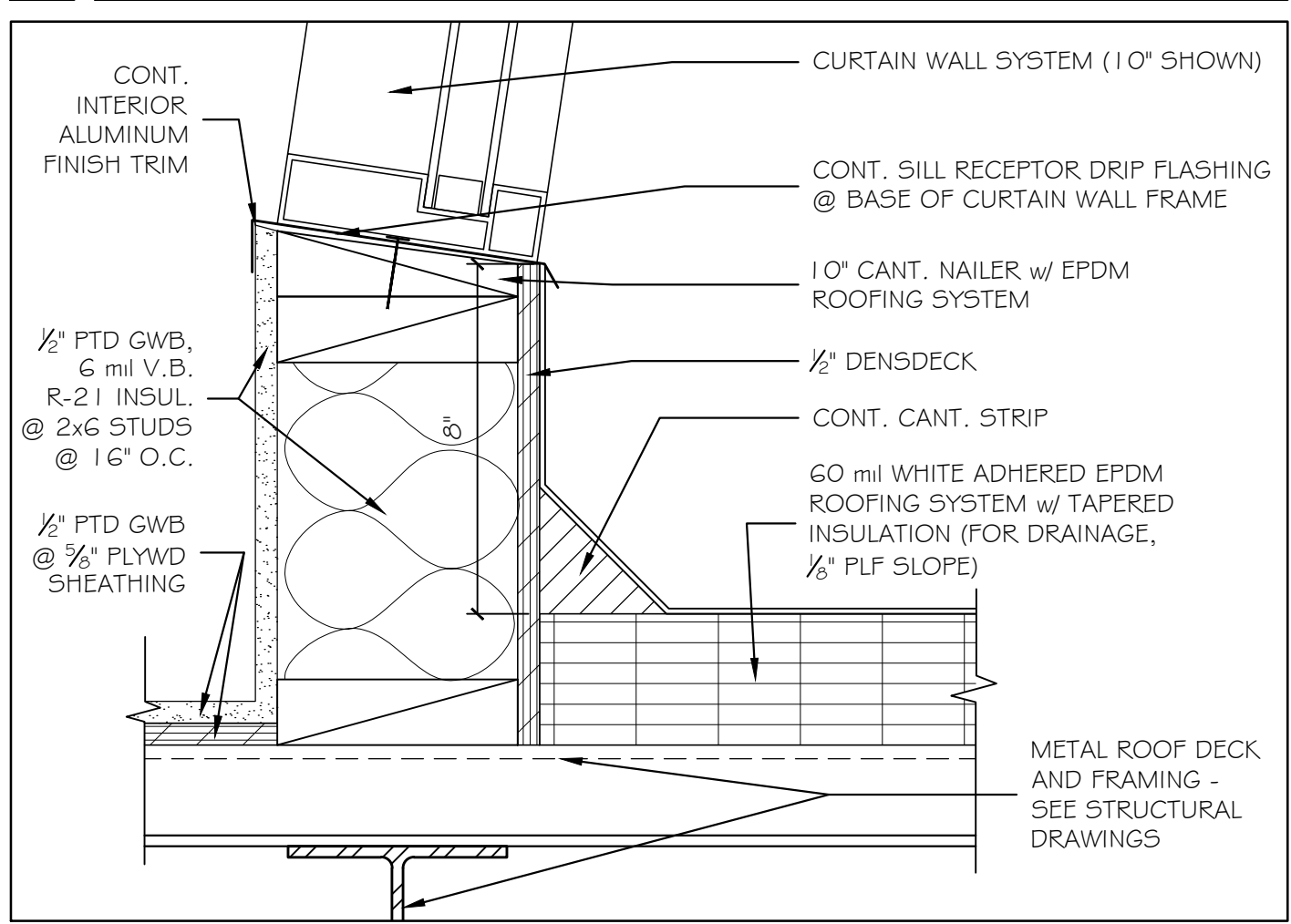
COPYRIGHT REPRODUCTION OR REUSE OF THIS DOCUMENT WITHOUT WRITTEN PERMISSION FROM GRANT HAYS ASSOCIATES IS PROHIBITED.



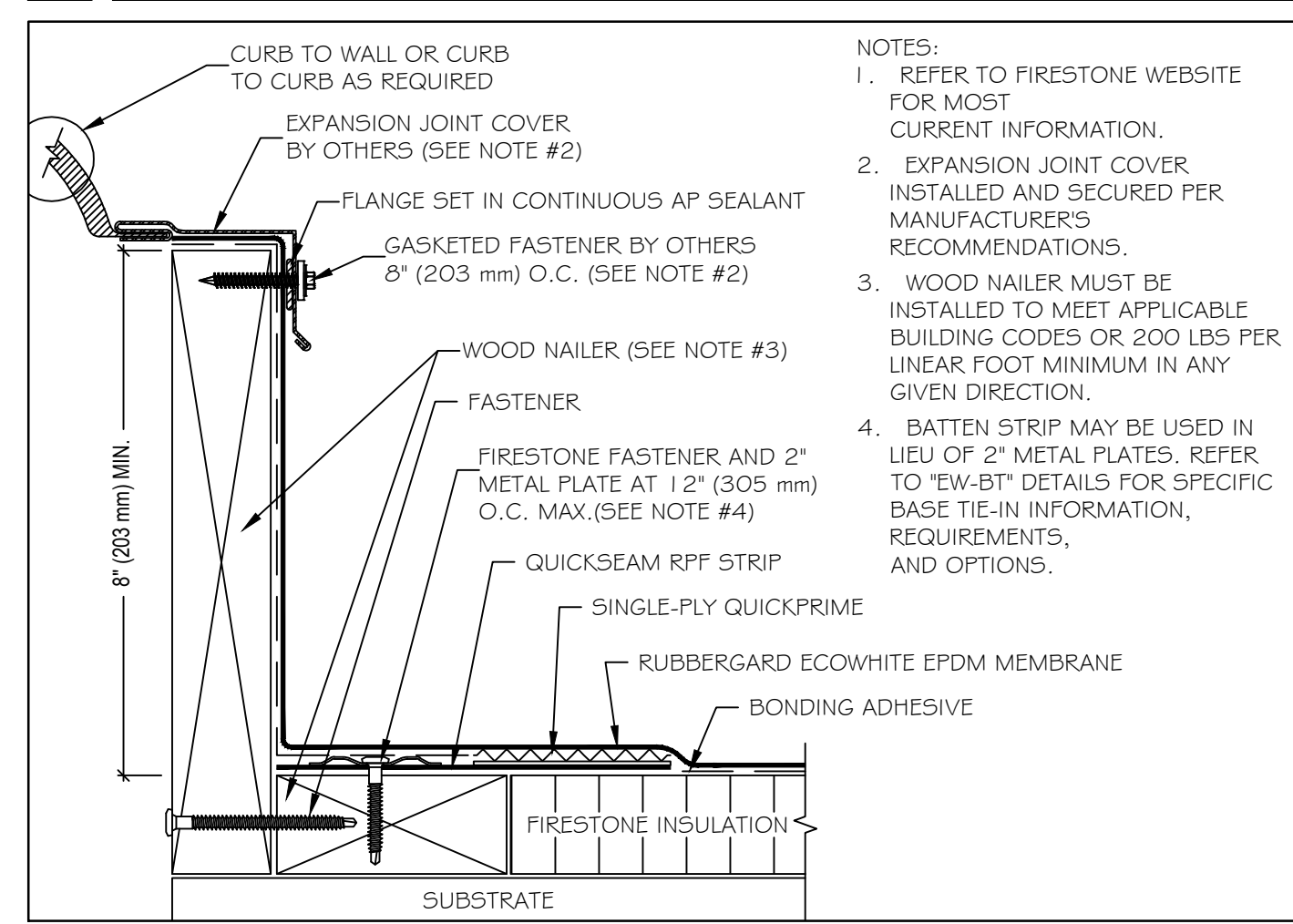
1 ROOF EDGE DETAIL - CANOPY 3" = 1'-0"



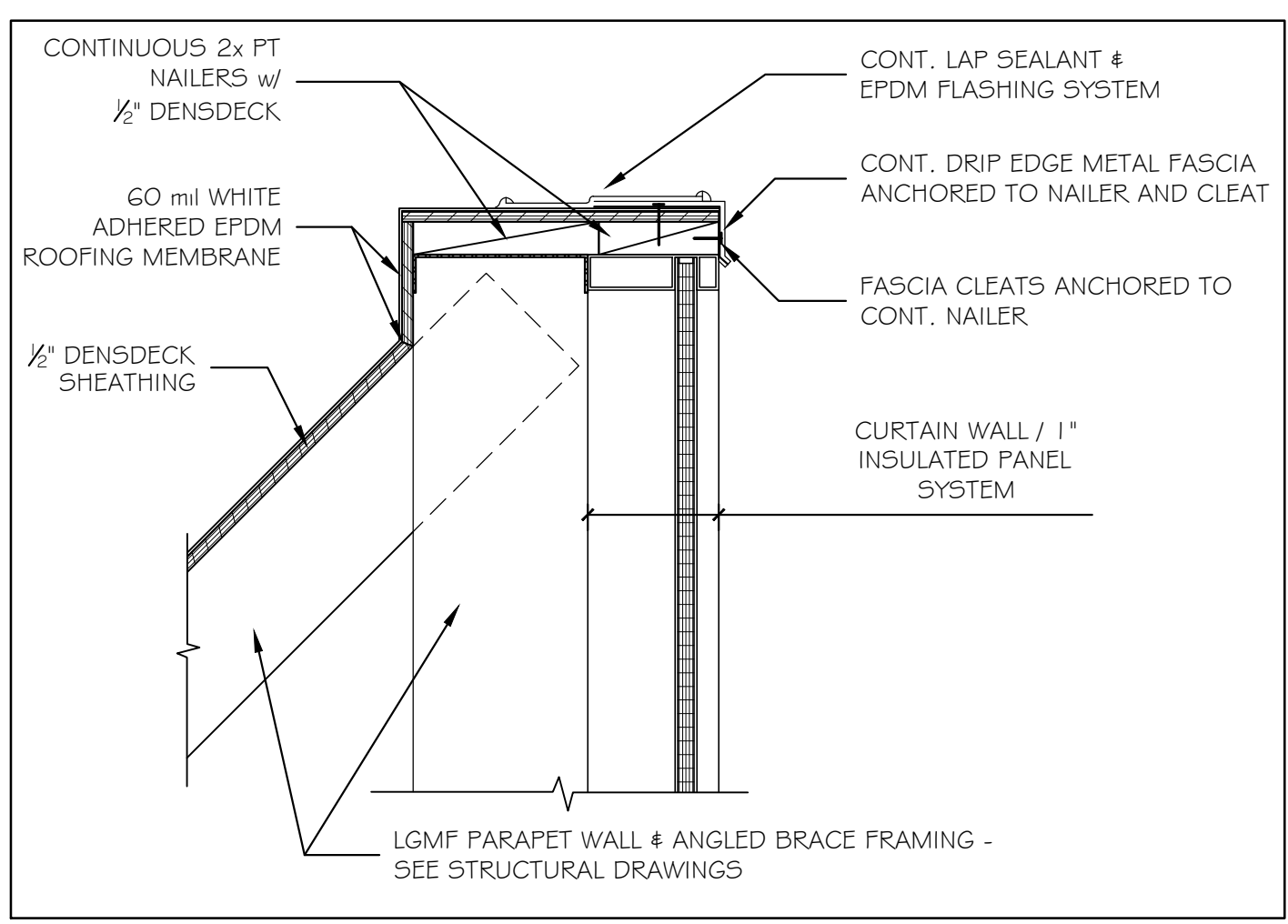
2 ROOF EDGE DETAIL - CANOPY WALL 1/2" = 1'-0"



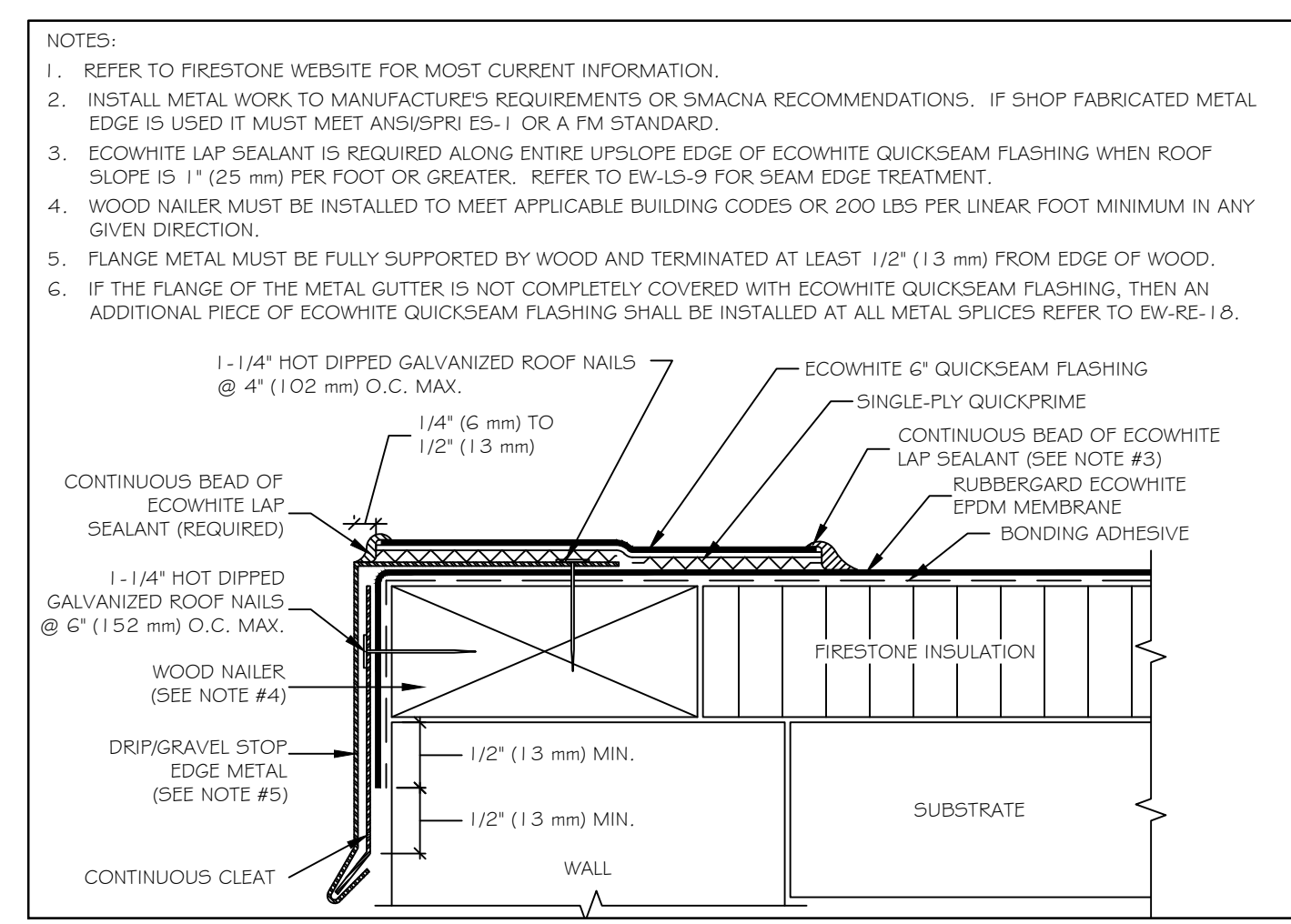
3 VERTICAL TRANSITION DTL - CURTAIN WALL 3" = 1'-0"



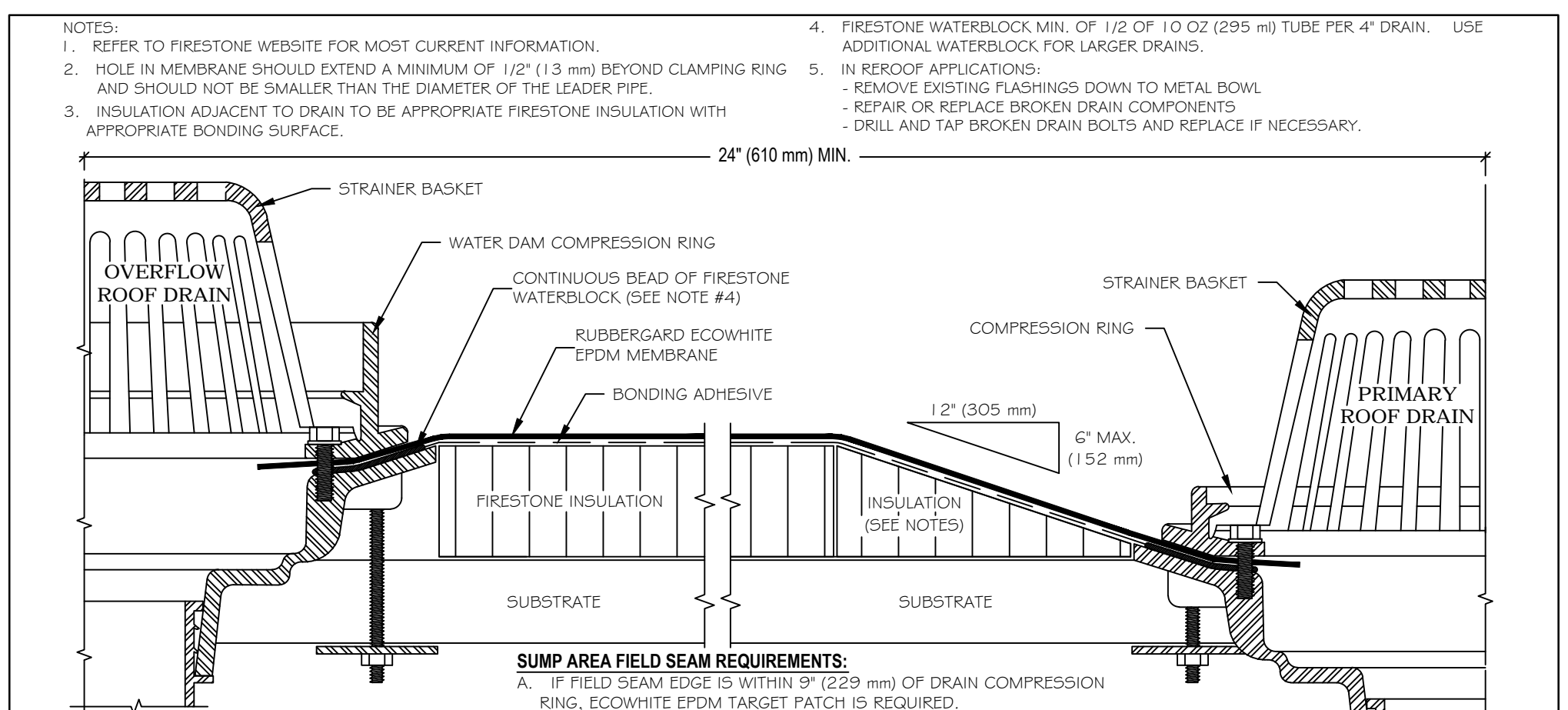
4 VERTICAL TRANSITION DTL - EXPANSION JOINT N.T.S.



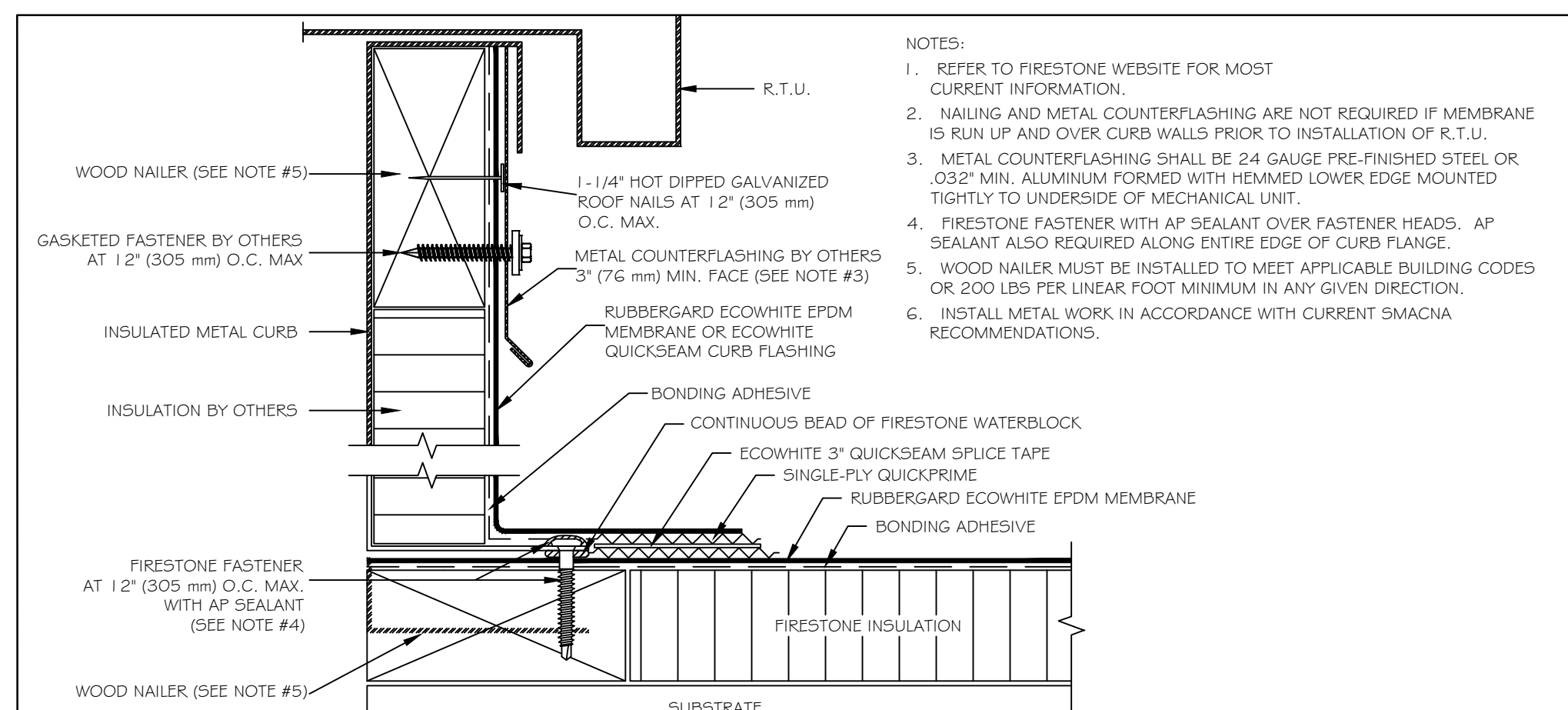
5 PARAPET WALL DETAIL 1/2" = 1'-0"



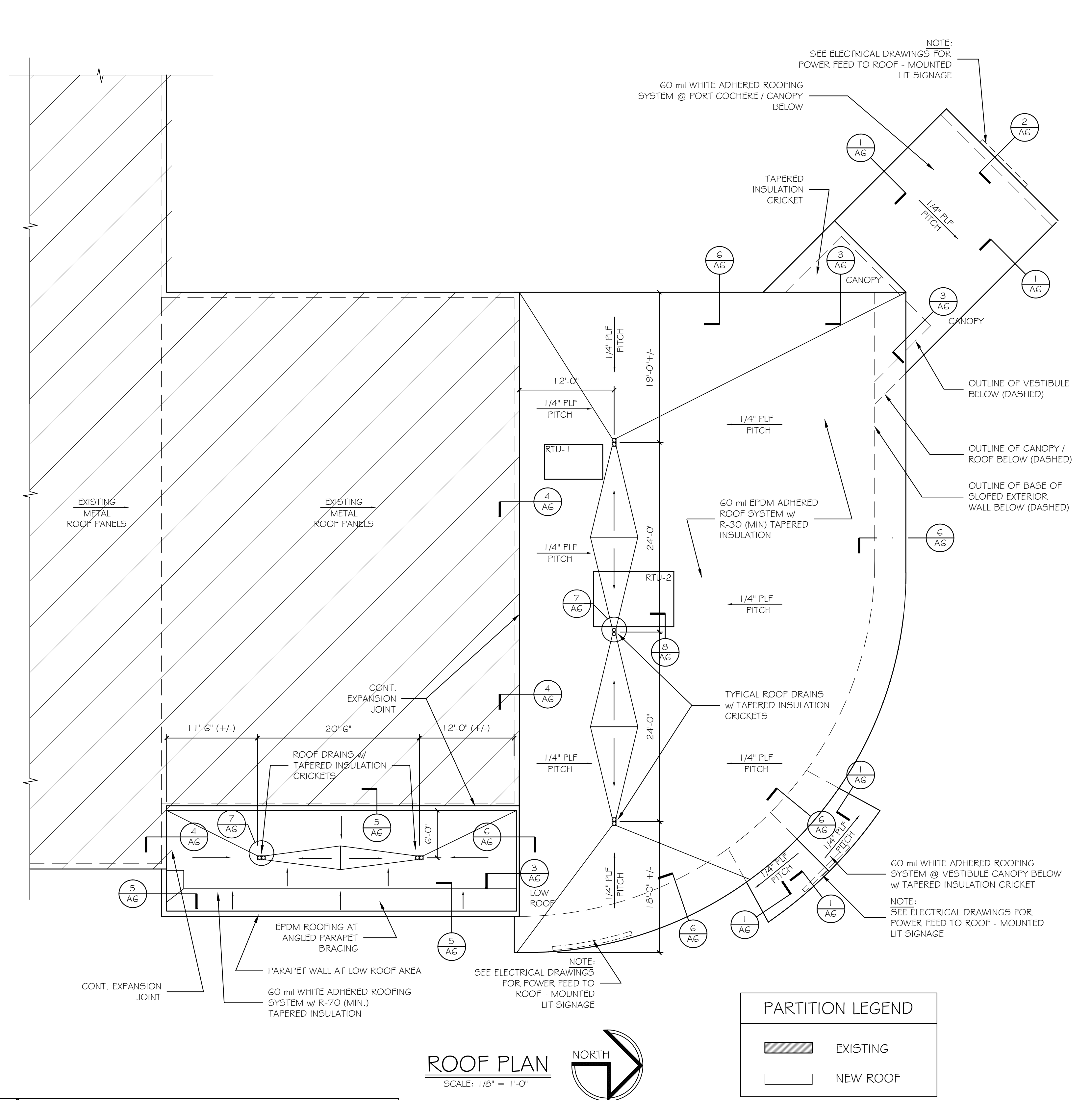
6 ROOF EDGE DETAIL N.T.S.



7 ROOF DRAIN DETAIL N.T.S.



8 CURB DETAIL N.T.S.



ROOF PLAN
SCALE: 1/8" = 1'-0"
NORTH

PARTITION LEGEND	
	EXISTING
	NEW ROOF

- FIELD VERIFY LOCATIONS OF ROOF DRAINS. COORDINATE WITH STRUCTURAL FRAMING. ADJUST LOCATIONS AS REQUIRED.
- COORDINATE LOCATIONS OF CURBS FOR RTU WITH MECHANICAL.
- COORDINATE LOCATIONS OF ROOF DRAIN LEADERS WITH CIVIL DRAWINGS FOR CONNECTION TO STORM DRAINAGE SYSTEM.
- REFER TO SHEET A-2 FOR LOCATION OF ROOF DRAIN LEADERS AT WALLS / COLUMNS AND OVERFLOW DRAIN OUTLETS.

COPYRIGHT REPRODUCTION OR REUSE OF THIS DOCUMENT WITHOUT WRITTEN PERMISSION FROM GRANT HAYS ASSOCIATES IS PROHIBITED.