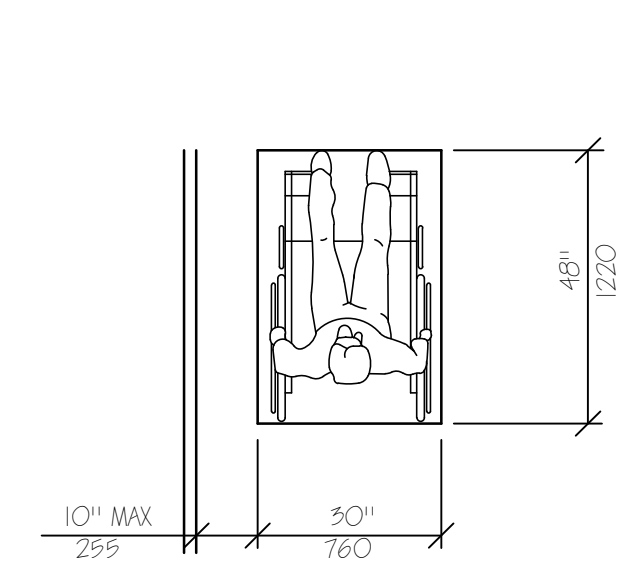
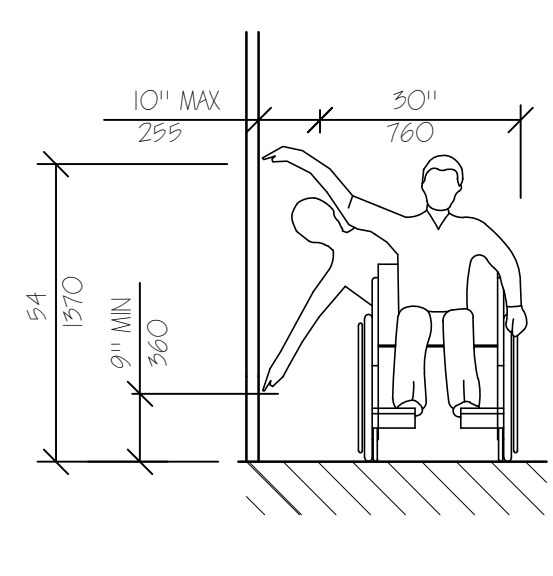


REV/10/17

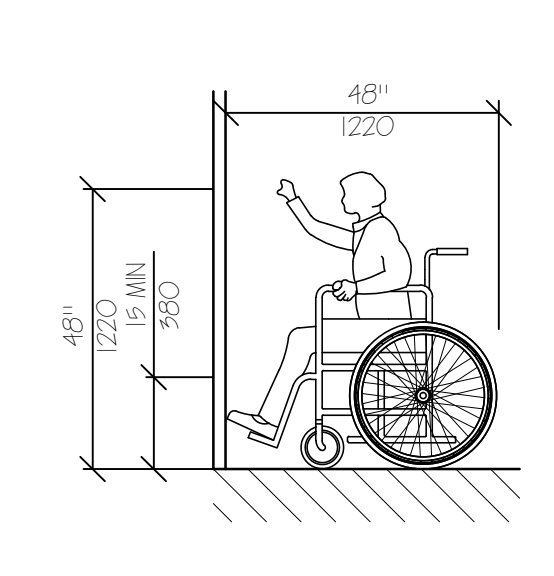
DRAWING NAME



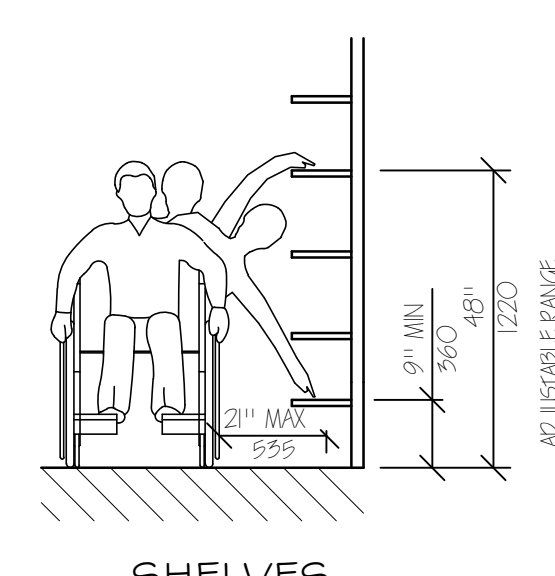
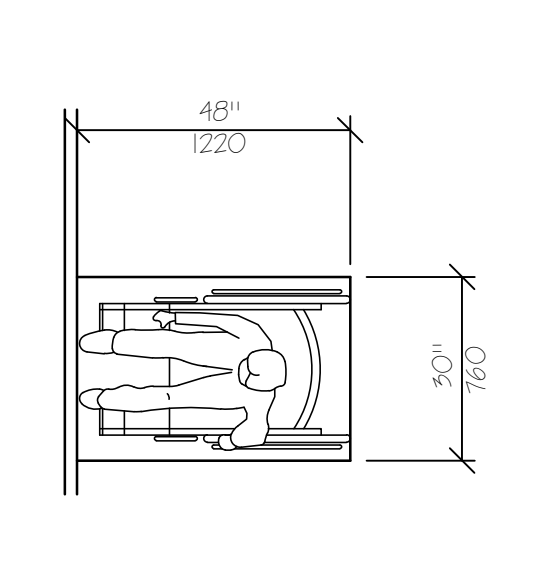
CLEAR FLOOR SPACE
PARALLEL APPROACH
NTS



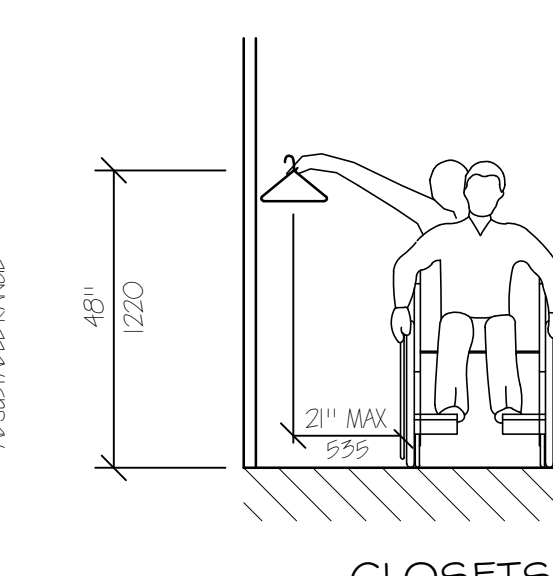
HIGH AND LOW
SIDE REACH LIMITS
NTS



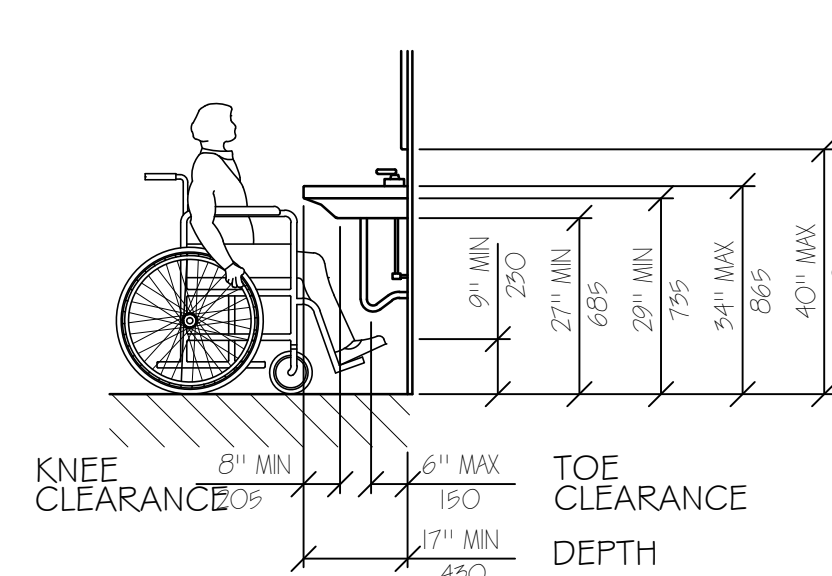
HIGH FORWARD REACH LIMIT
NTS



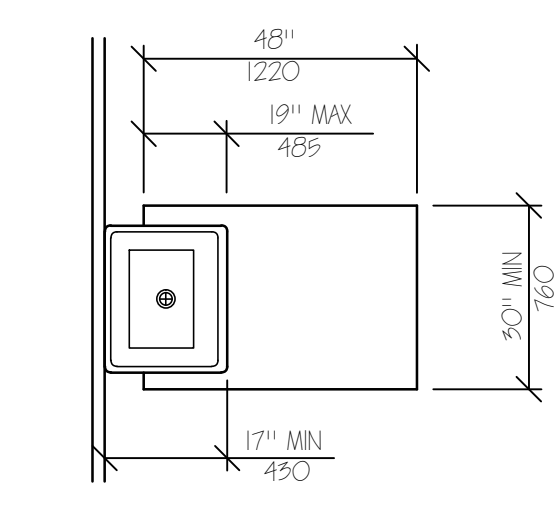
SHELVES
STORAGE SHELVES AND CLOSETS
NTS



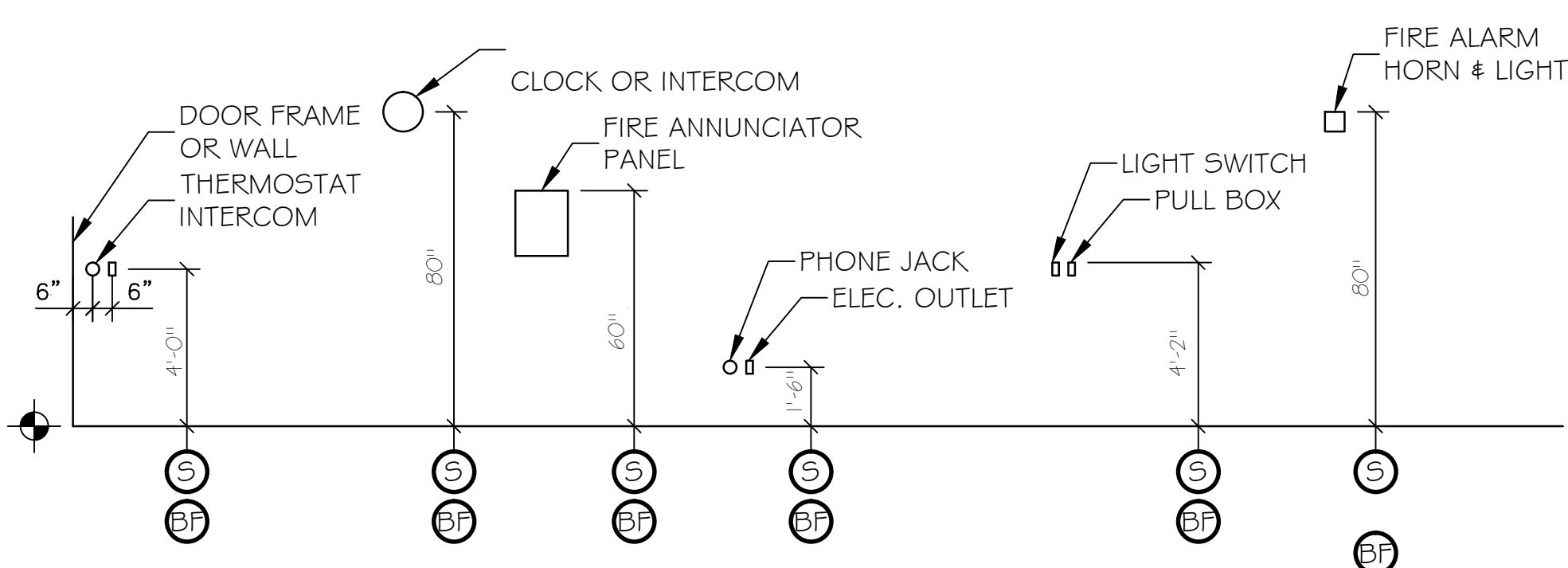
CLOSETS



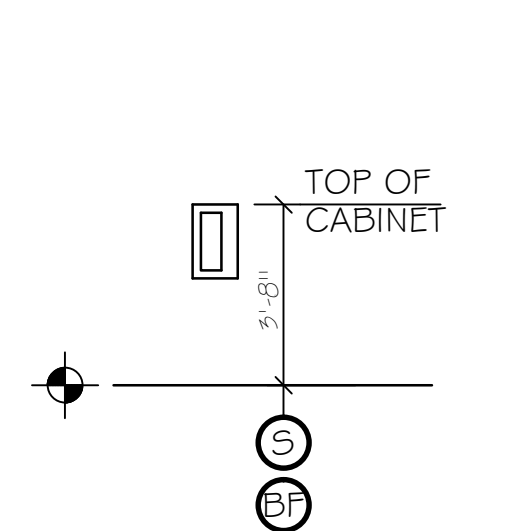
LAVATORY CLEARANCES
NTS



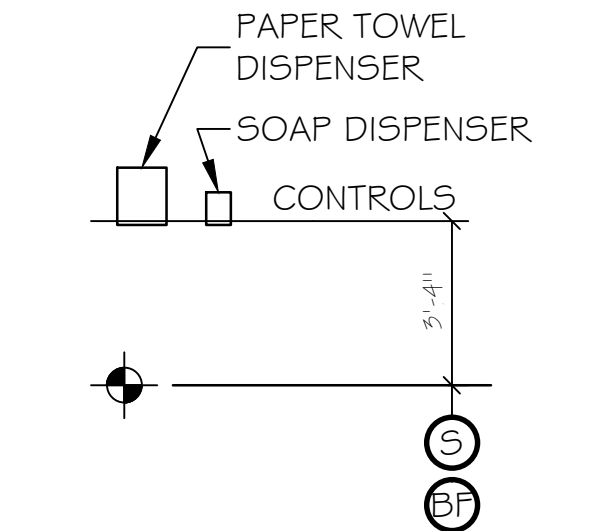
CLEAR FLOOR SPACE
AT LAVATORIES
NTS



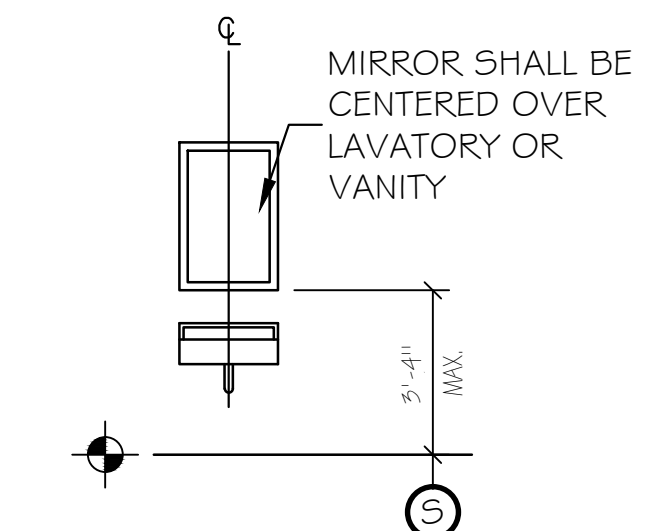
ELECTRICAL & FIRE PROTECTION DEVICES
NTS
(TYPICAL UNLESS OTHERWISE NOTED)



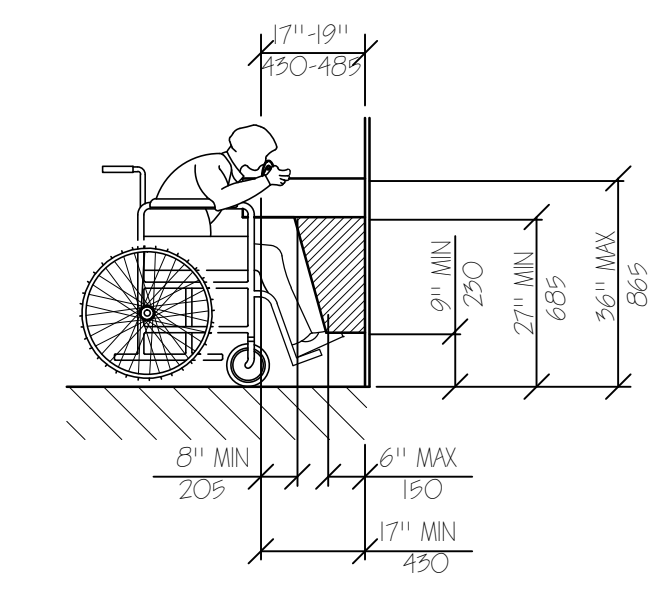
FIRE EXTINGUISHER
CABINET (FEC)
NTS



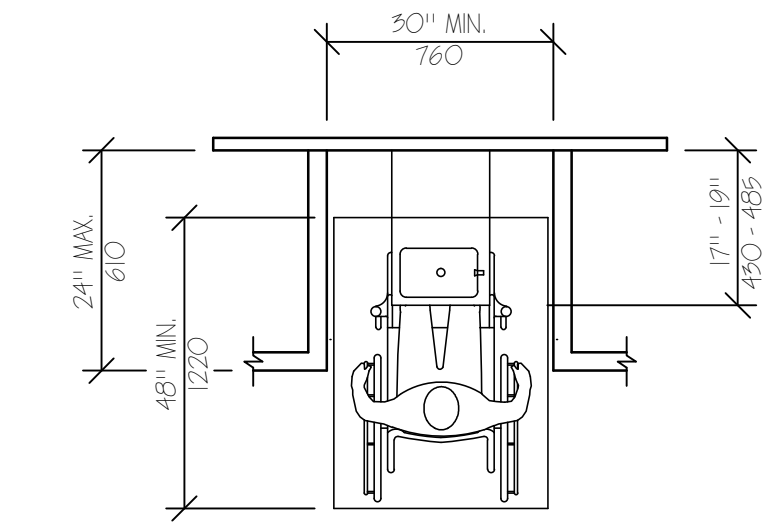
TOWEL & SOAP DISPENSERS
NTS



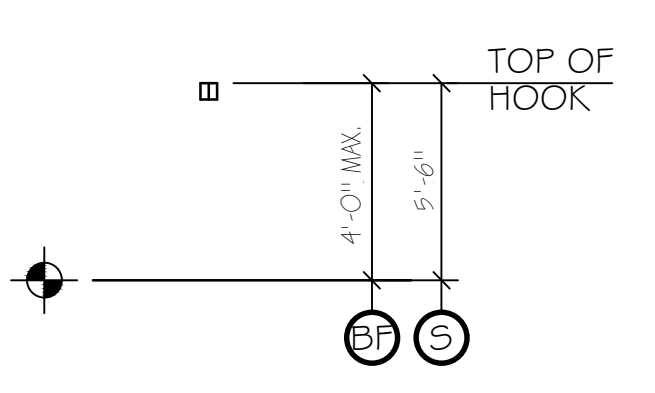
MIRROR OR
MEDICINE CABINET
NTS



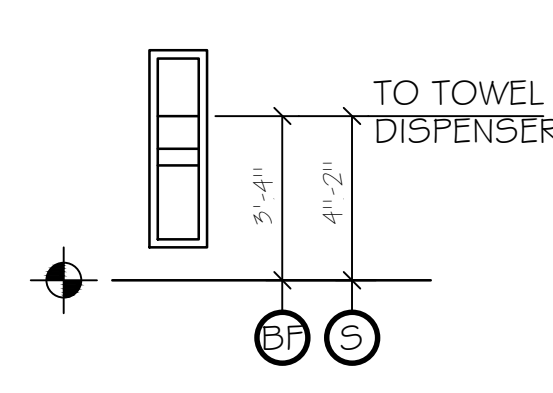
EQUIPMENT PERMITTED IN SHADED AREA
DRINKING FOUNTAIN SPOUT HEIGHT
AND KNEE CLEARANCE
NTS



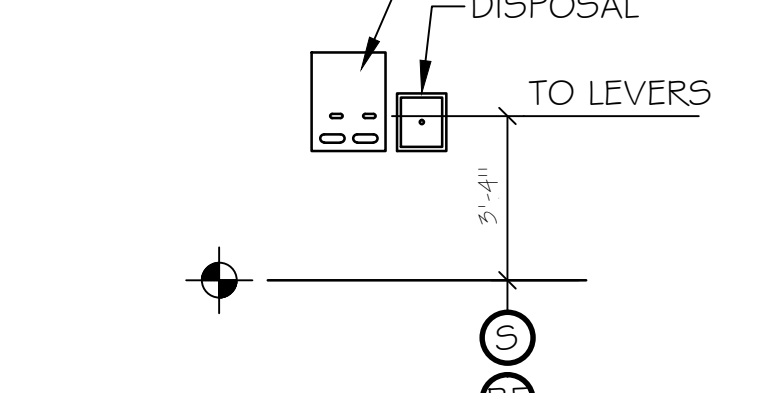
DRINKING FOUNTAIN
NTS



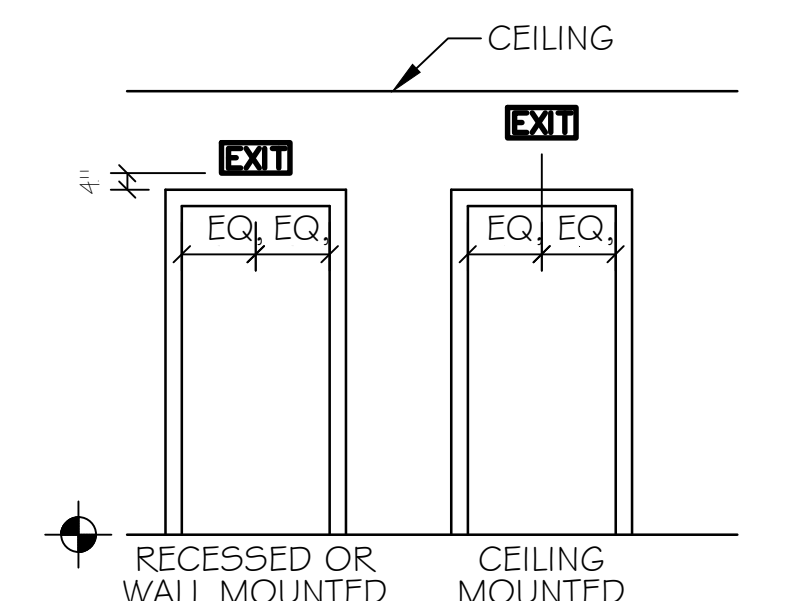
CLOTHES HOOK
NTS



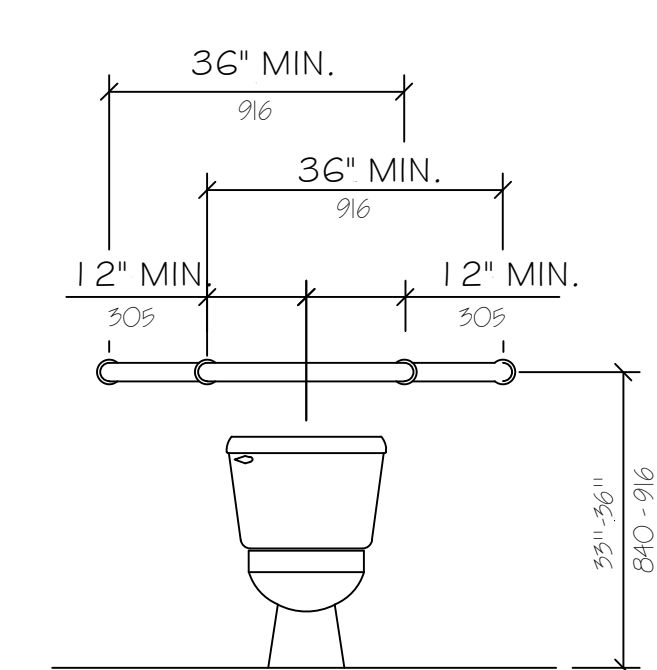
TOWEL DISPENSER
DISPOSAL UNIT
NTS



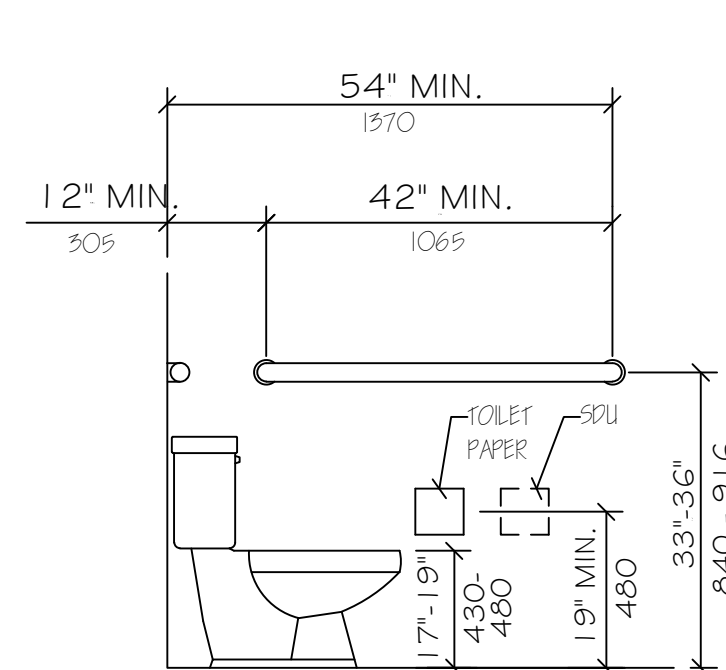
SANITARY DISPENSER &
DISPOSAL UNIT
NTS



EXIT SIGNS
TYPICAL UNLESS OTHERWISE NOTED
NTS
(TYPICAL UNLESS OTHERWISE NOTED)



GRAB BARS AT WATER CLOSETS
NTS



LEGEND

- ⊙ STANDARD MOUNTING HEIGHT
- ⊕ BARRIER FREE ADULT MOUNTING HEIGHT
- ⬆ FINISH FLOOR LINE

NOTE

MOUNT ALL FIXTURES AT STANDARD MOUNTING HEIGHT UNLESS INDICATED ON PLAN BY A ⊕ SYMBOL. A ⊕ SYMBOL AT ANY ROOM SHALL INCLUDE ONE OF ANY FIXTURE AND ACCESSORY WITHIN THE ROOM.

SIGN (A) ENTRANCE

SIGN (B) FIRE EXIT

SIGN (C) MEN

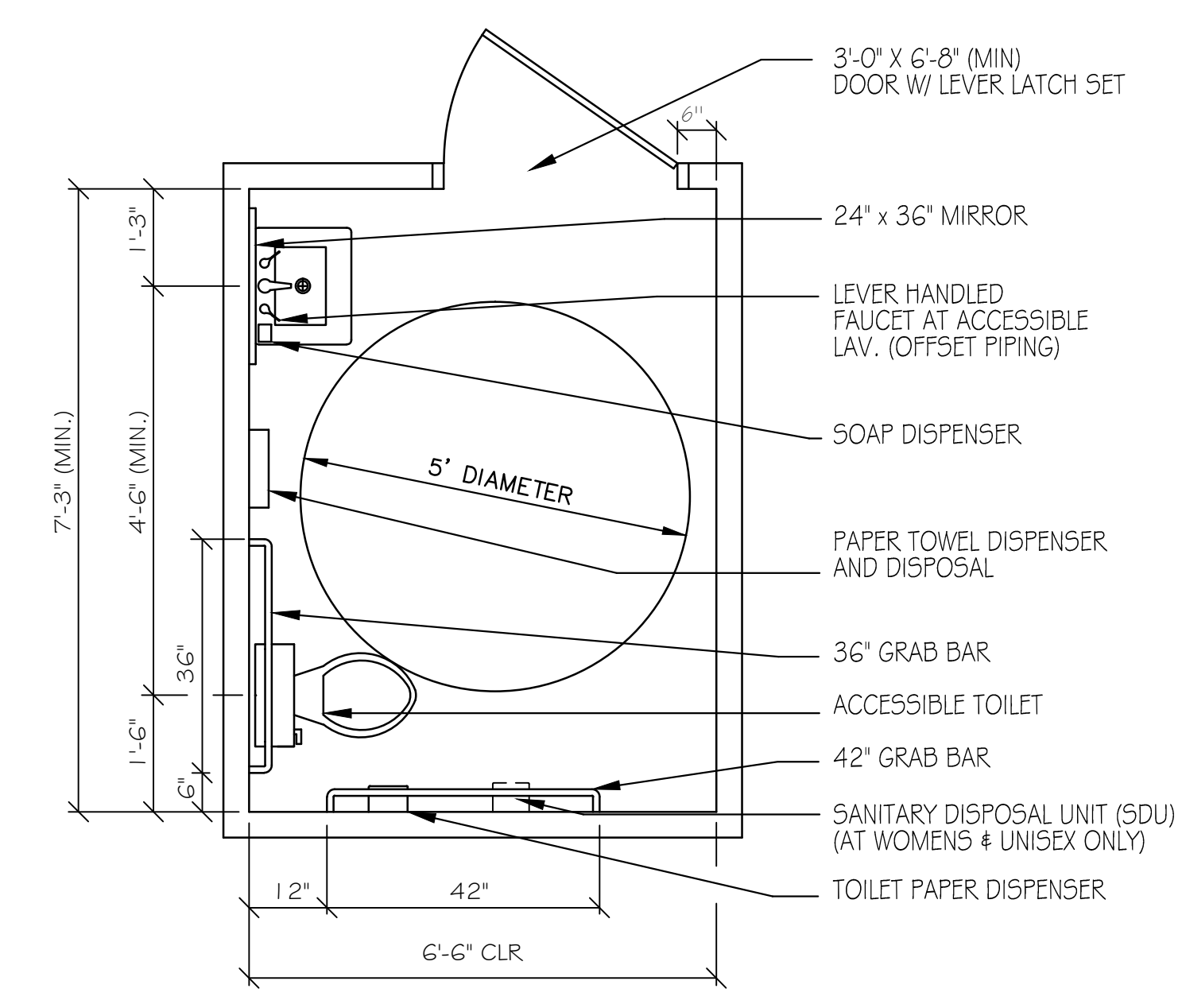
SIGN (D) WOMEN

SIGN (E) RESTROOM

SIGN (F) HANDICAP ACCESSIBLE

SIGN (G) RESTROOM

ACCESSIBILITY SIGNAGE DETAILS NO SCALE



TYPICAL ACCESSORIES
NTS

ACCESSIBILITY ACCESSORY MOUNTING HEIGHTS

GRAB BARS	33"-36"
TOILET PAPER HOLDER	19" MIN
TOWEL BAR/PAPER TOWEL DISPENSER	48" MAX
BUILT IN PAPER TOWEL DISPENSER	48" MAX
SOAP DISH/DISPENSER AT WALL	48" MAX
SANITARY NAPKIN DISPOSAL	19" MAX
MIRROR (BOTTOM)	40" MAX
SHELVES/STORAGE	48" MAX
ELECTRICAL SWITCHES/OUTLETS	48" MAX
COAT HOOKS/RODS	48" MAX
SIGNAGE (TO BRAILLE COMPONENT)	60" MAX

ACCESSIBILITY GENERAL NOTES

1. DOORWAYS SHALL HAVE A MINIMUM CLEAR WIDTH OF 32" WITH THE DOOR OPEN 90 DEGREES. MEASURED BETWEEN THE FACE OF THE DOOR AND THE OPPOSITE STOP.
2. ALL DOORS SHALL HAVE LEVER HANDLE HARDWARE, EXCEPT AT SECURED STORAGE ROOMS, MECHANICAL ROOMS, AND ELEVATOR MACHINE ROOMS.
3. ALL CLOSERS SHALL BE 5LB PULL MAXIMUM AT DOORS EQUIPPED WITH LEVER HANDLE HARDWARE.
4. ALL DOORS WITH CLOSERS SHALL HAVE 18" CLEAR DISTANCE FROM THE LATCHSIDE OF THE OPENING TO ANY ADJACENT WALL OR OBSTRUCTION ON THE PULL SIDE OF THE OPENING.
5. ALL DOORS WITH CLOSERS SHALL HAVE 12" CLEAR DISTANCE FROM THE LATCHSIDE OF THE OPENING TO ANY ADJACENT WALL OR OBSTRUCTION ON THE PUSH SIDE OF THE OPENING.
6. ALL SIGNAGE SHALL BE MOUNTED 60" AFF TO BRAILLE COMPONENT AT LATCH-SIDE WALL OF DOORS AND OPENINGS.
7. COMPLY WITH 2010 EDITION OF THE AMERICANS WITH DISABILITIES ACT.