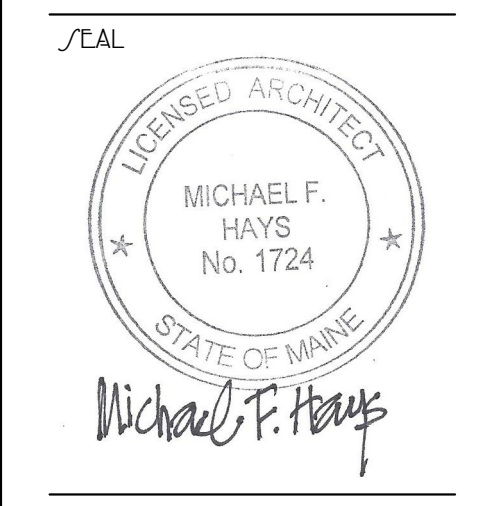


**GRANT HAYS ASSOCIATES**

ARCHITECTURE & INTERIOR DESIGN  
P.O. BOX 0179 FALMOUTH MAINE 04105  
207.871.5900 www.granthays.com



REV/NO

DRAWING NAME

**NEA**  
NORTH EAST AIR  
PORTLAND INTERNATIONAL AIRPORT  
1011 WESTBROOK STREET  
PORTLAND, MAINE 04102

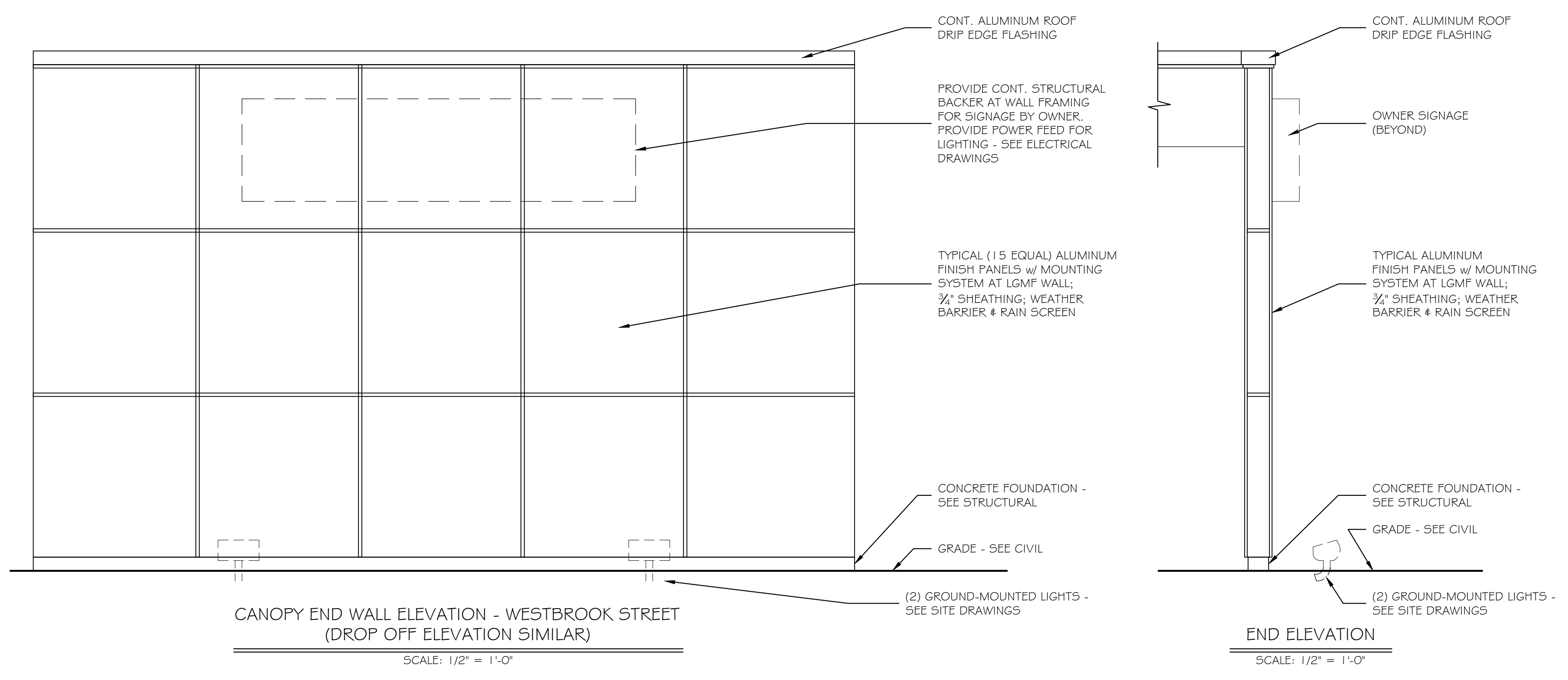
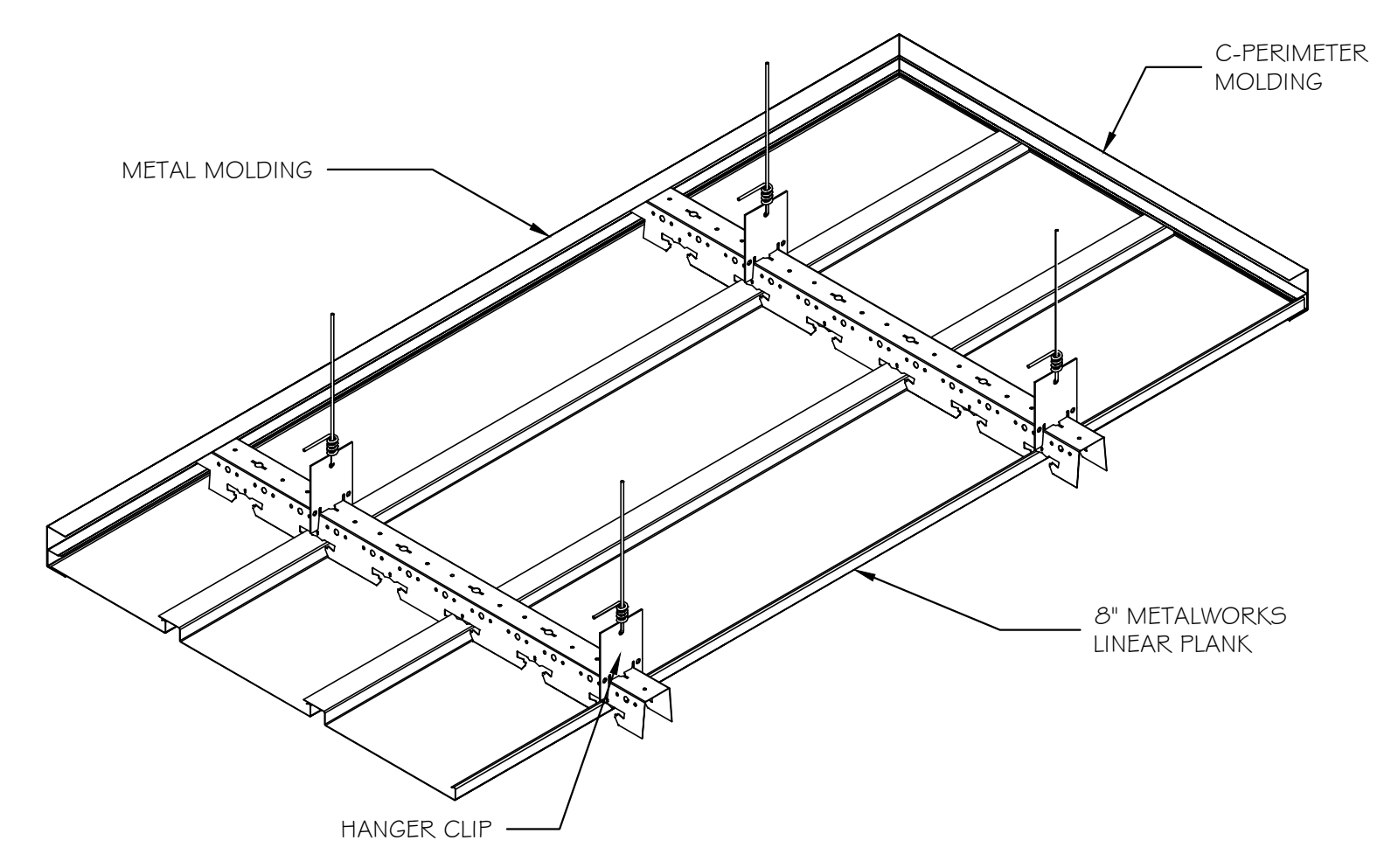
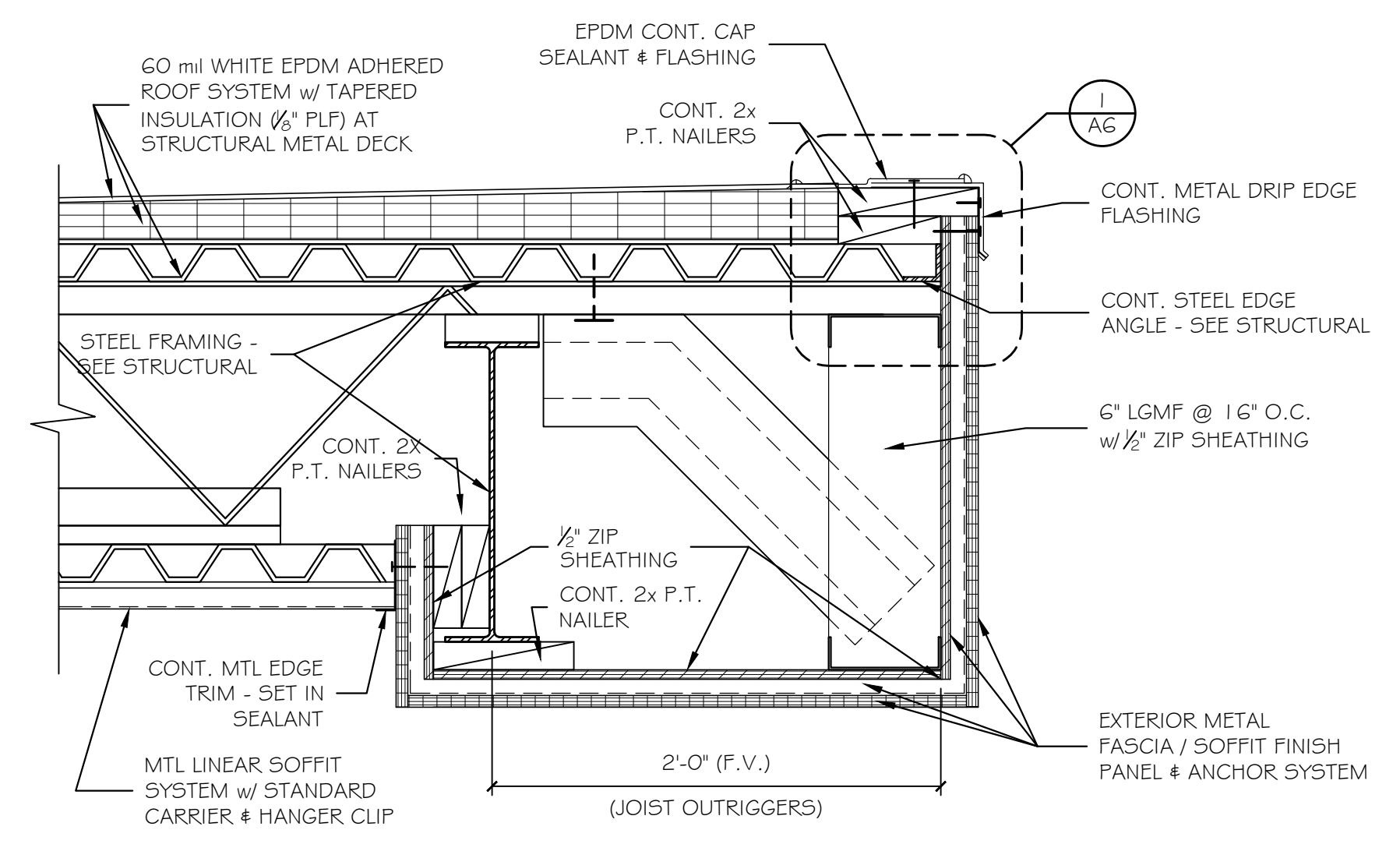
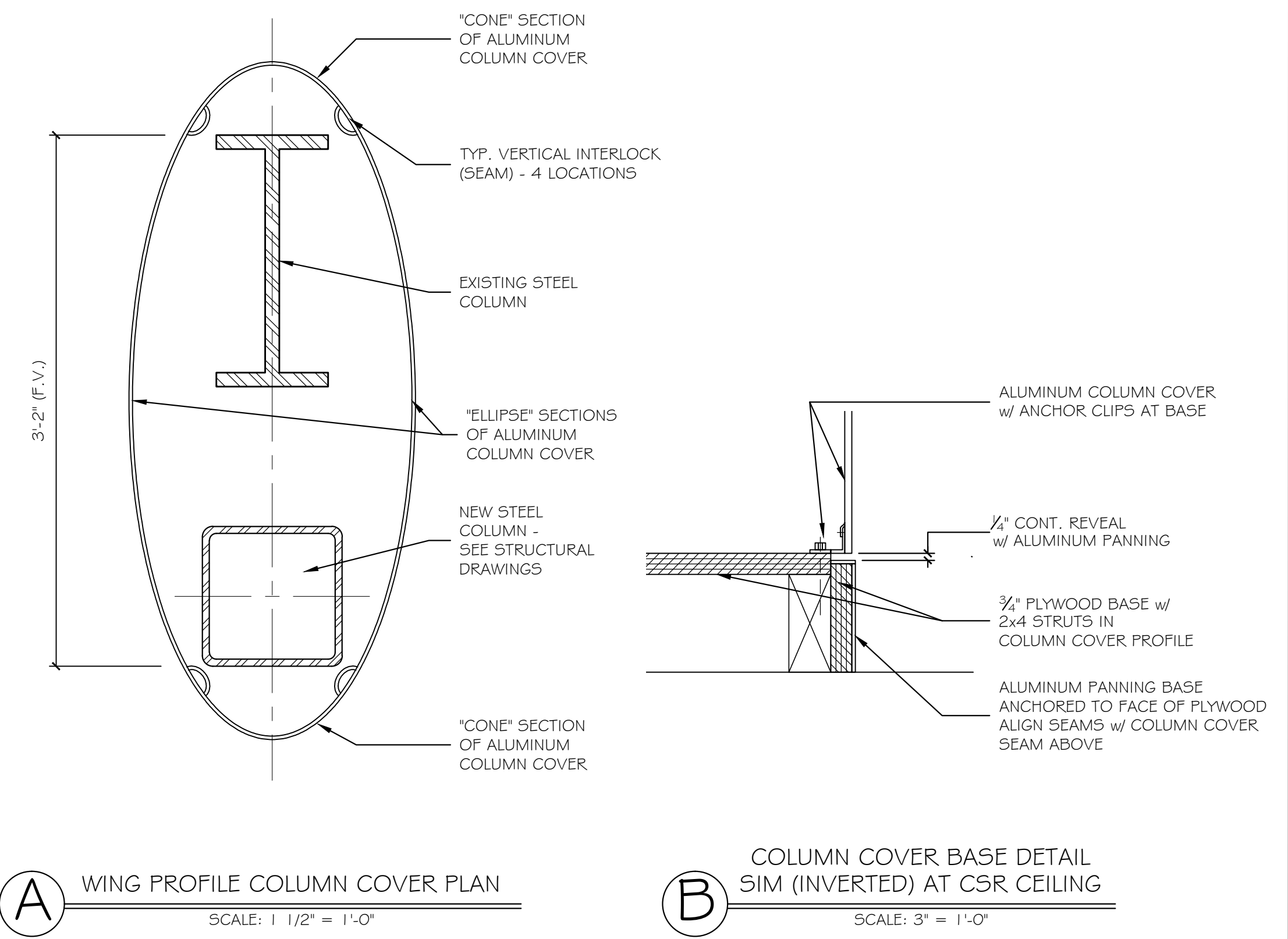
SHEET

**PHASE I**  
**DETAILS**

DATE  
19 FEB '16  
SCALE  
AS NOTED  
DRAWN  
MFH/mgk  
JOB NO.  
150655  
SHEET

**A19**

COPYRIGHT  
REPRODUCTION OR REUSE OF THIS  
DOCUMENT WITHOUT WRITTEN  
PERMISSION FROM GRANT HAYS  
ASSOCIATES IS PROHIBITED.



1 WING PROFILE COLUMN COVER PLAN AND BASE DETAIL AS NOTED

2 CANOPY EDGE DETAIL 1 1/2" = 1'-0"

3 EXTERIOR CANOPY CEILING SYSTEM N.T.S.

4 DROP OFF CANOPY ELEVATIONS AT VESTIBULE 101 1/2" = 1'-0"