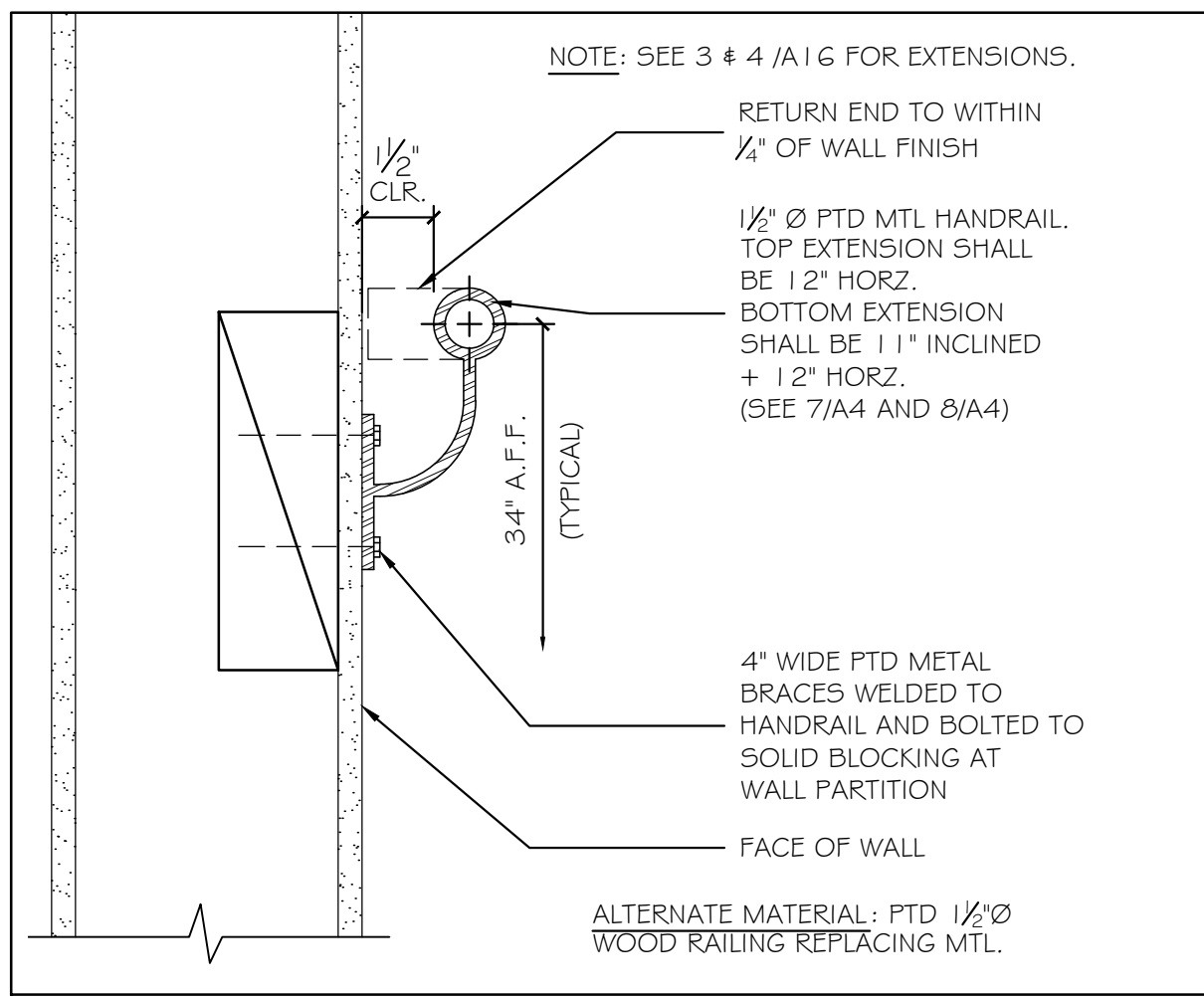
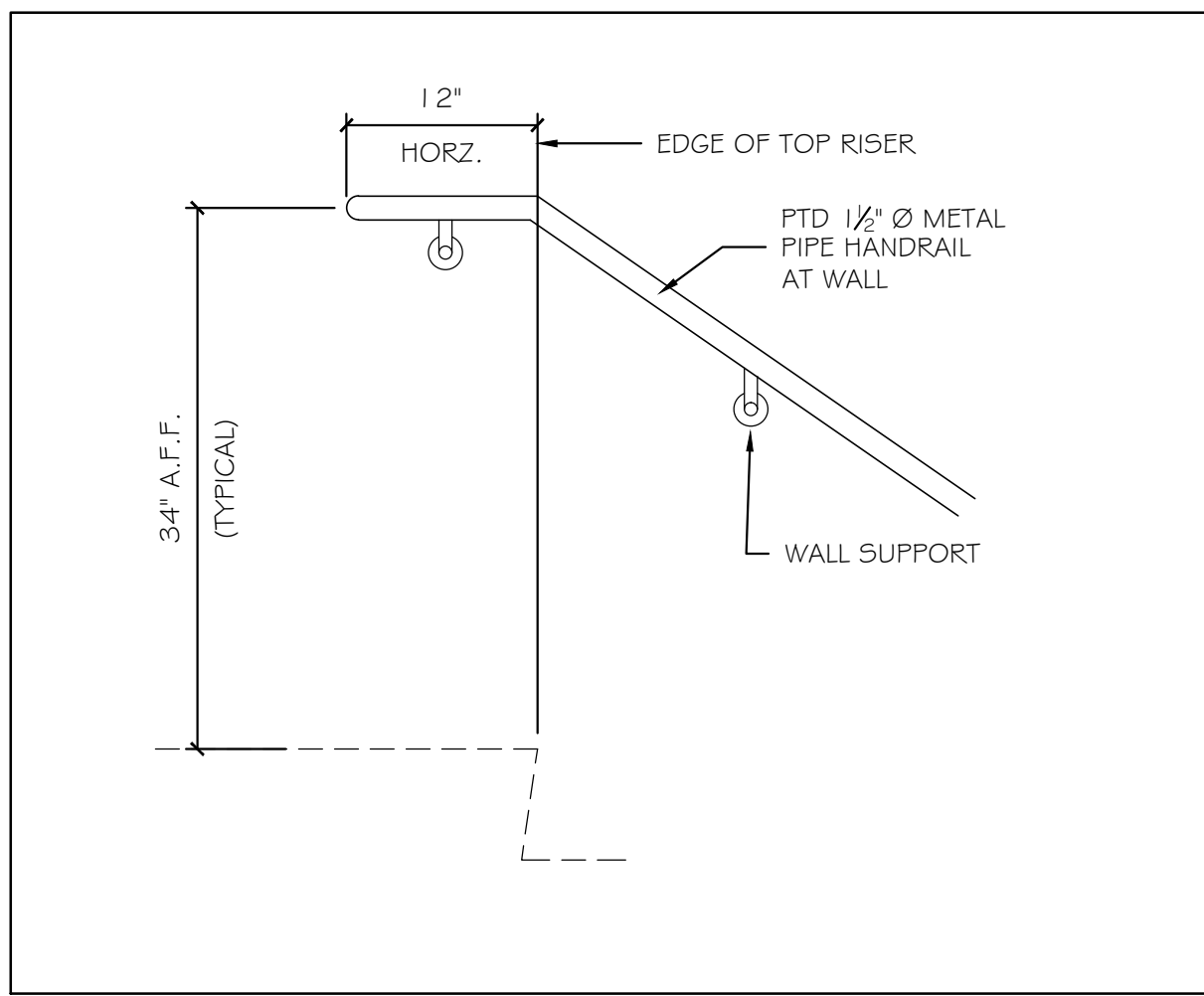


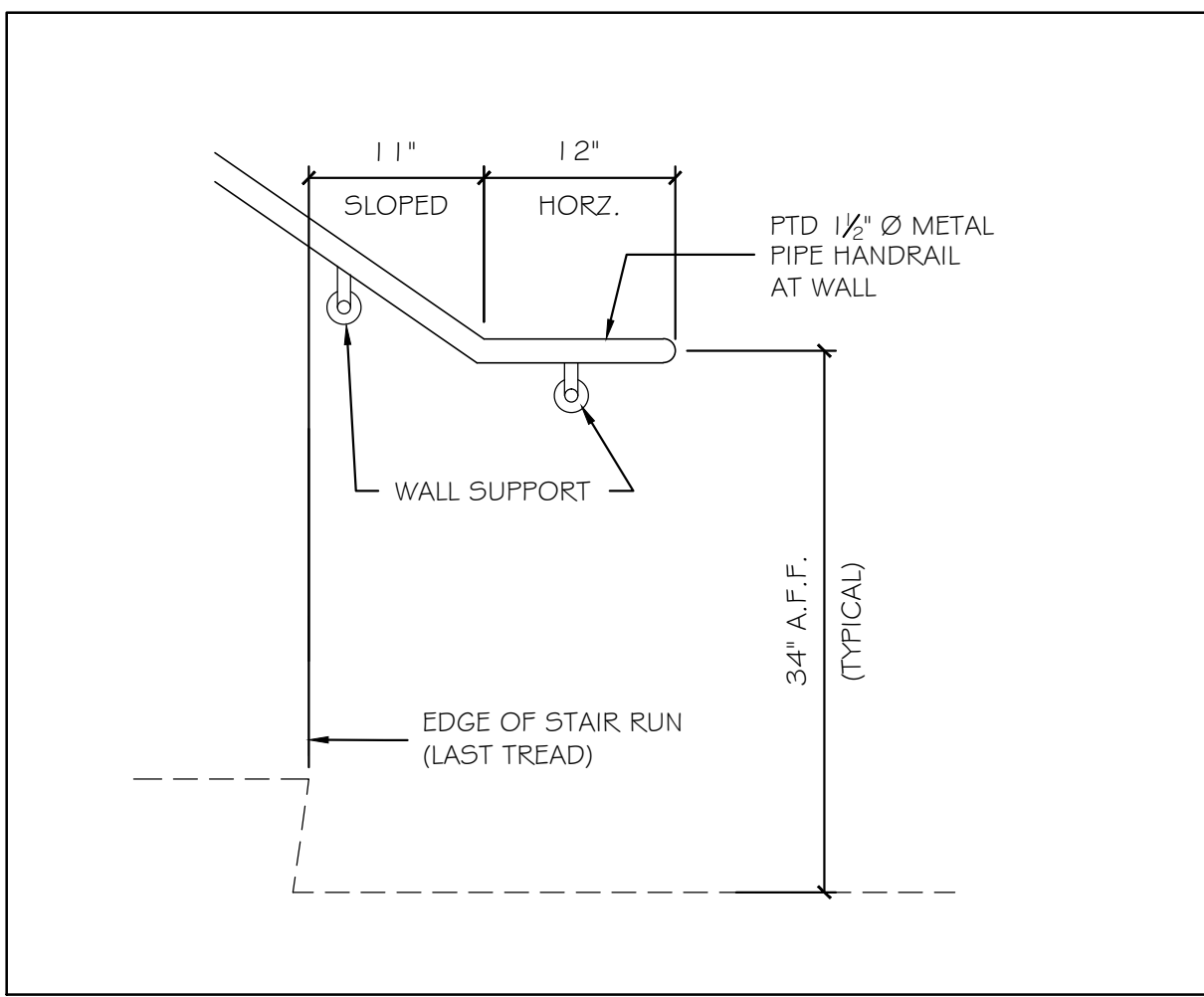
1 INTERIOR STAIR RISER / TREAD DETAIL 1/2" = 1'-0"



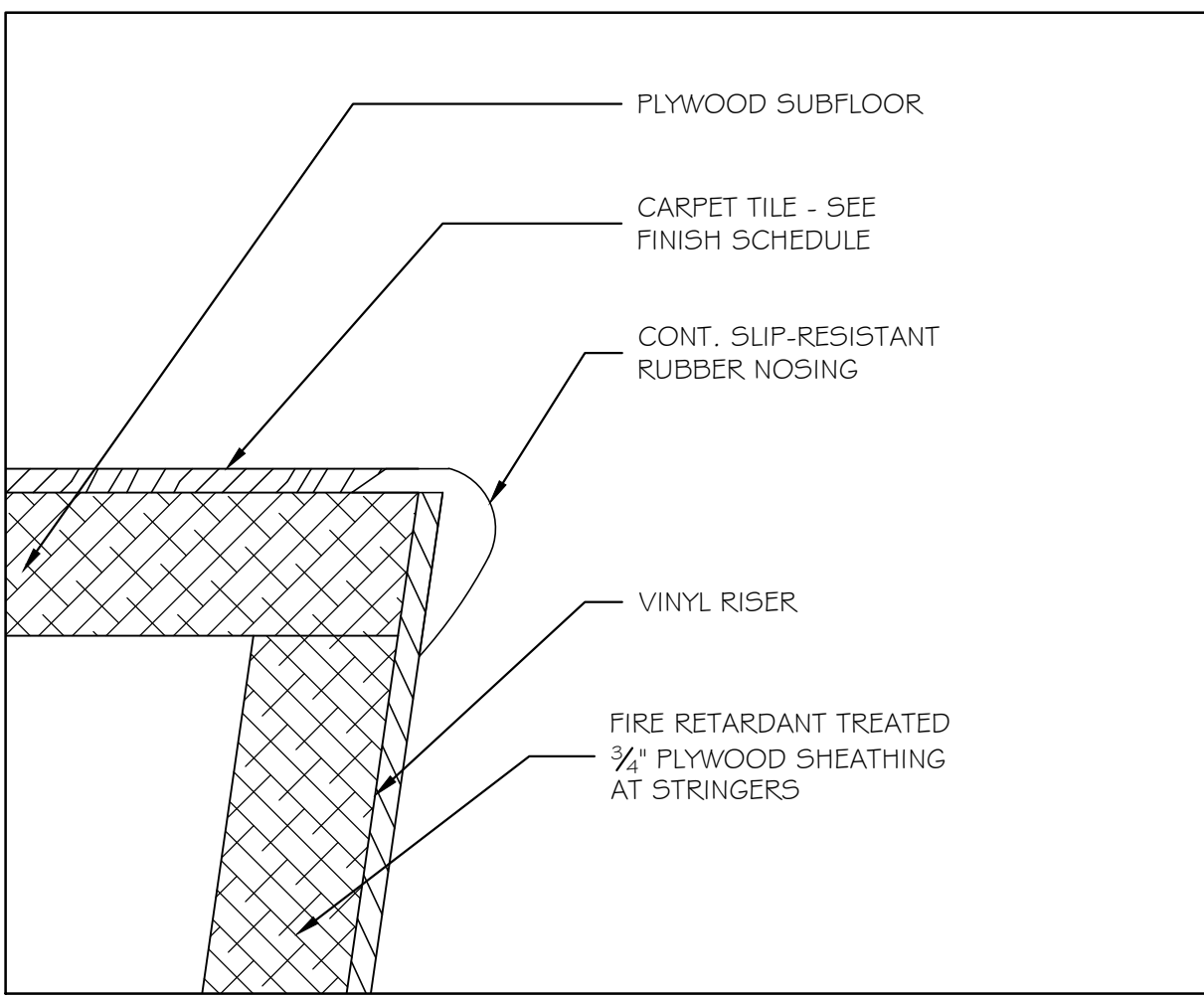
2 TYPICAL WALL HANDRAIL SECTION 3" = 1'-0"



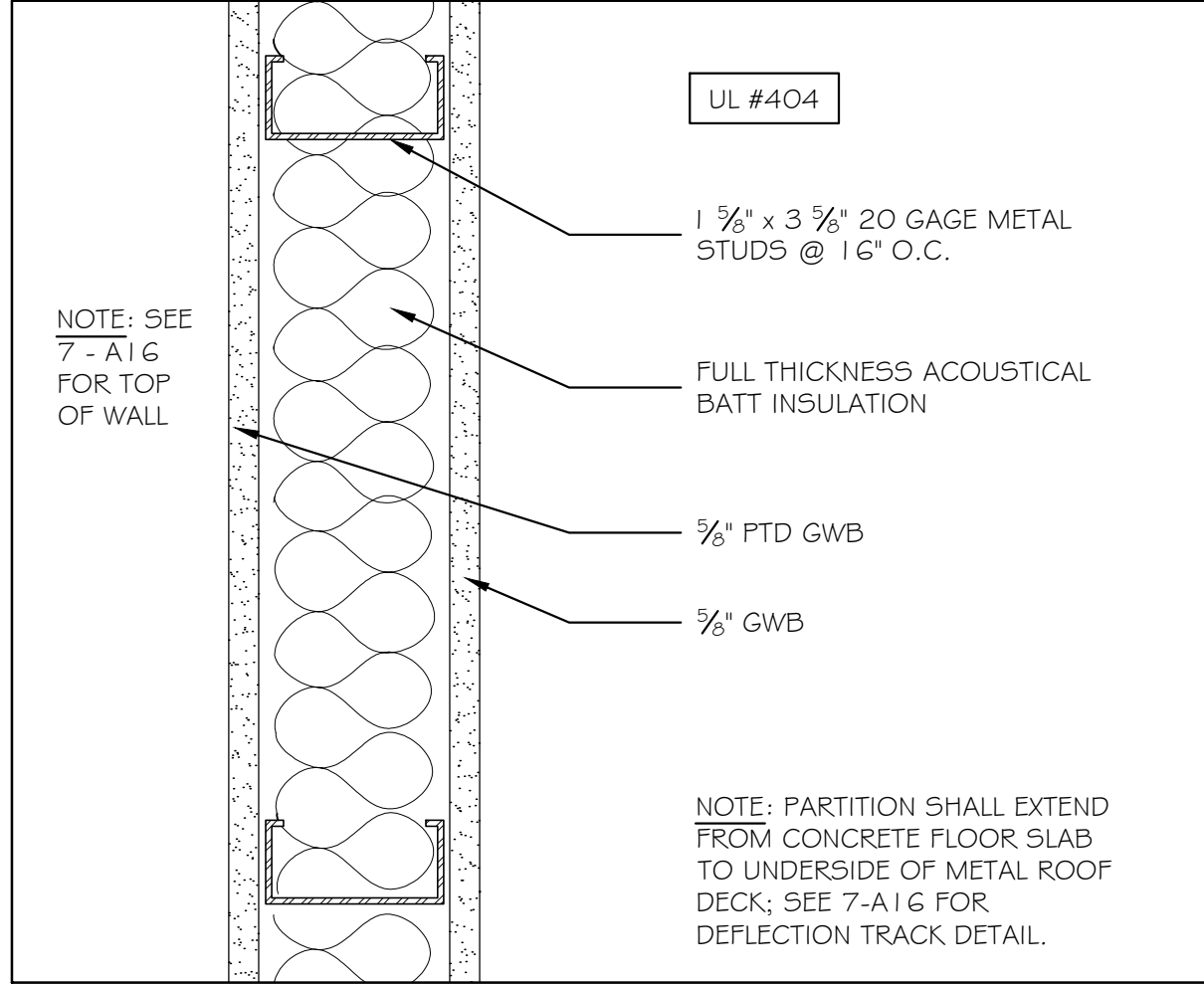
3 TYPICAL WALL HANDRAIL - TOP 1" = 1'-0"



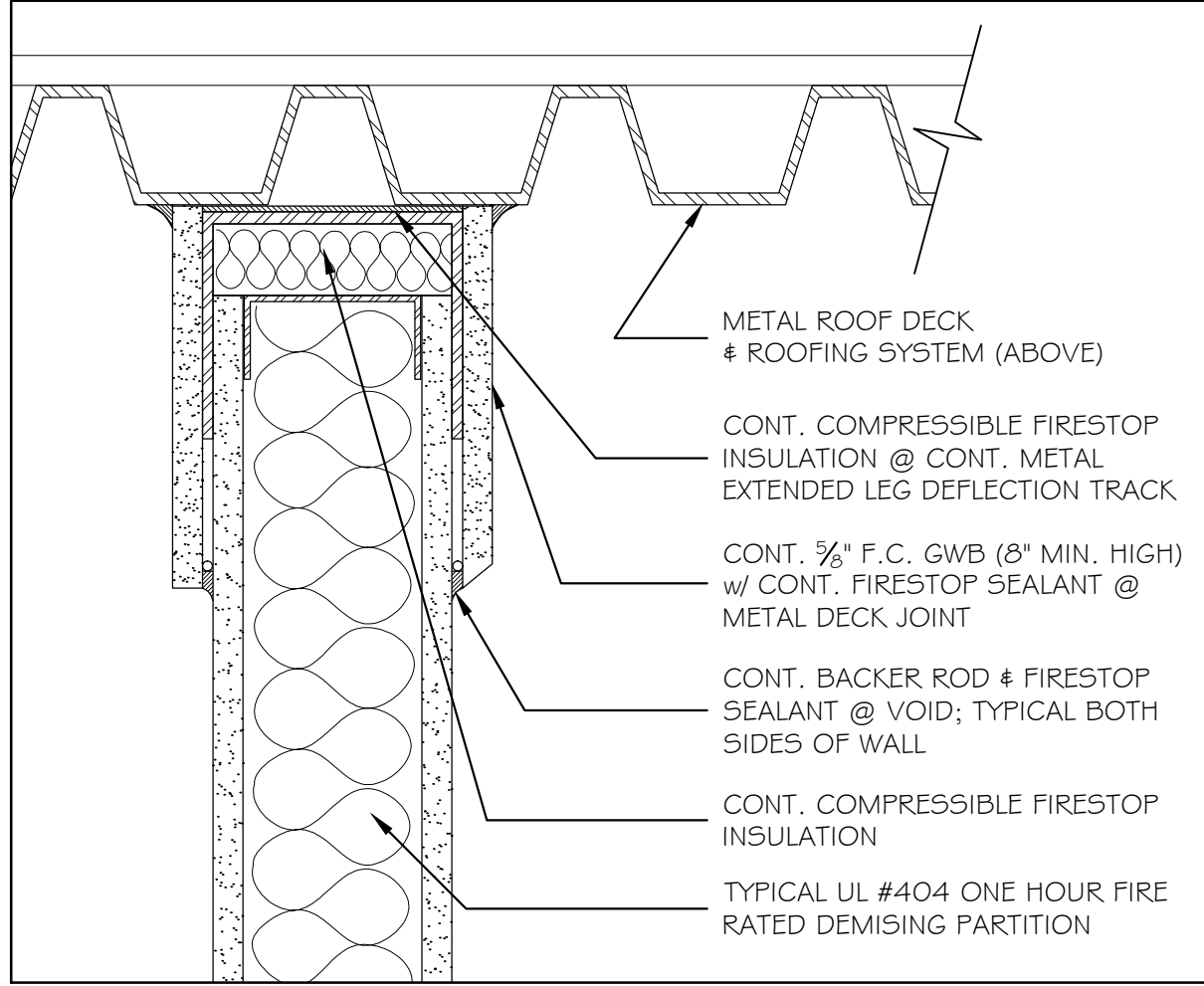
4 TYPICAL WALL HANDRAIL - BOTTOM 1" = 1'-0"



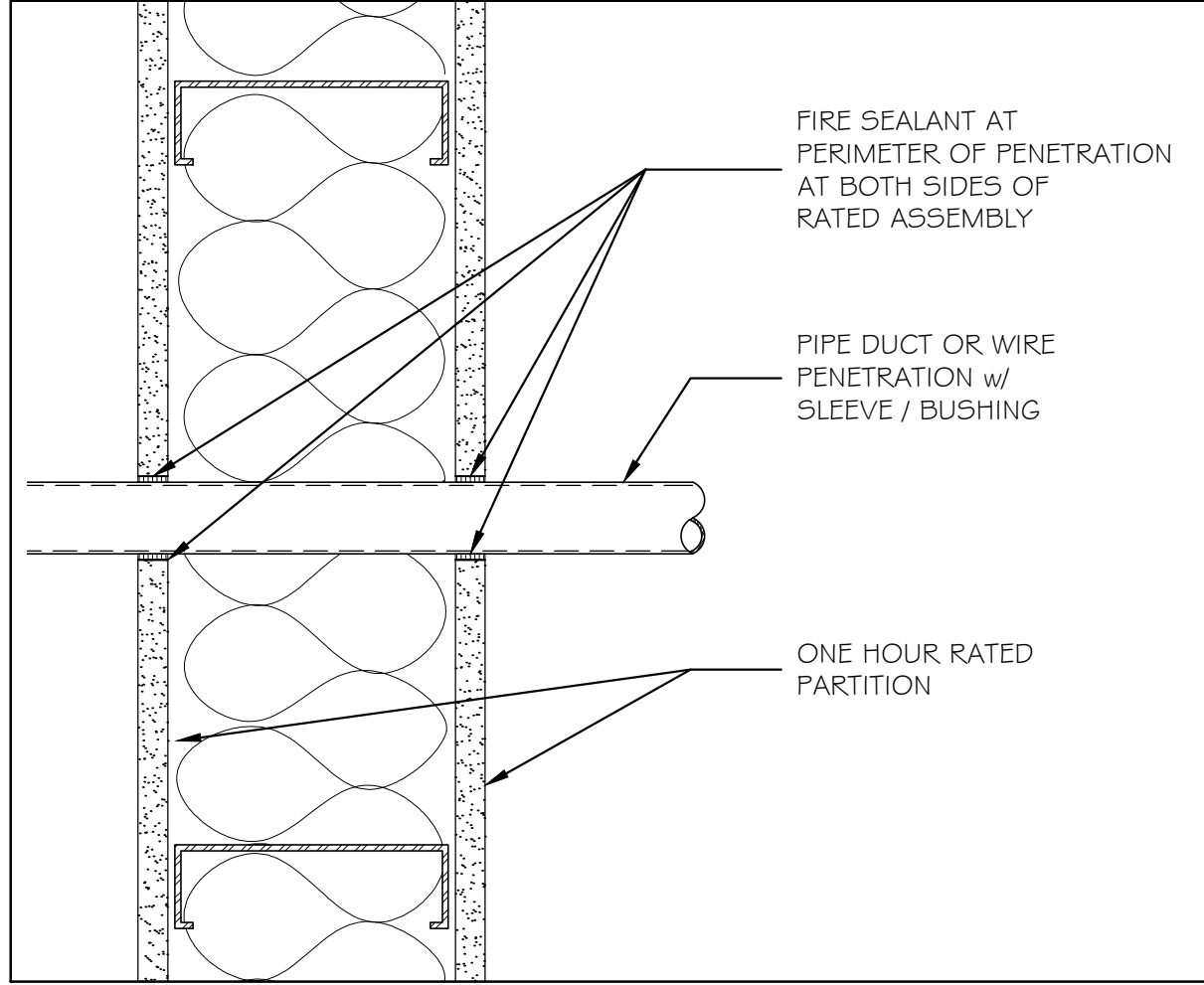
5 STAIR NOSING DETAIL FULL SIZE



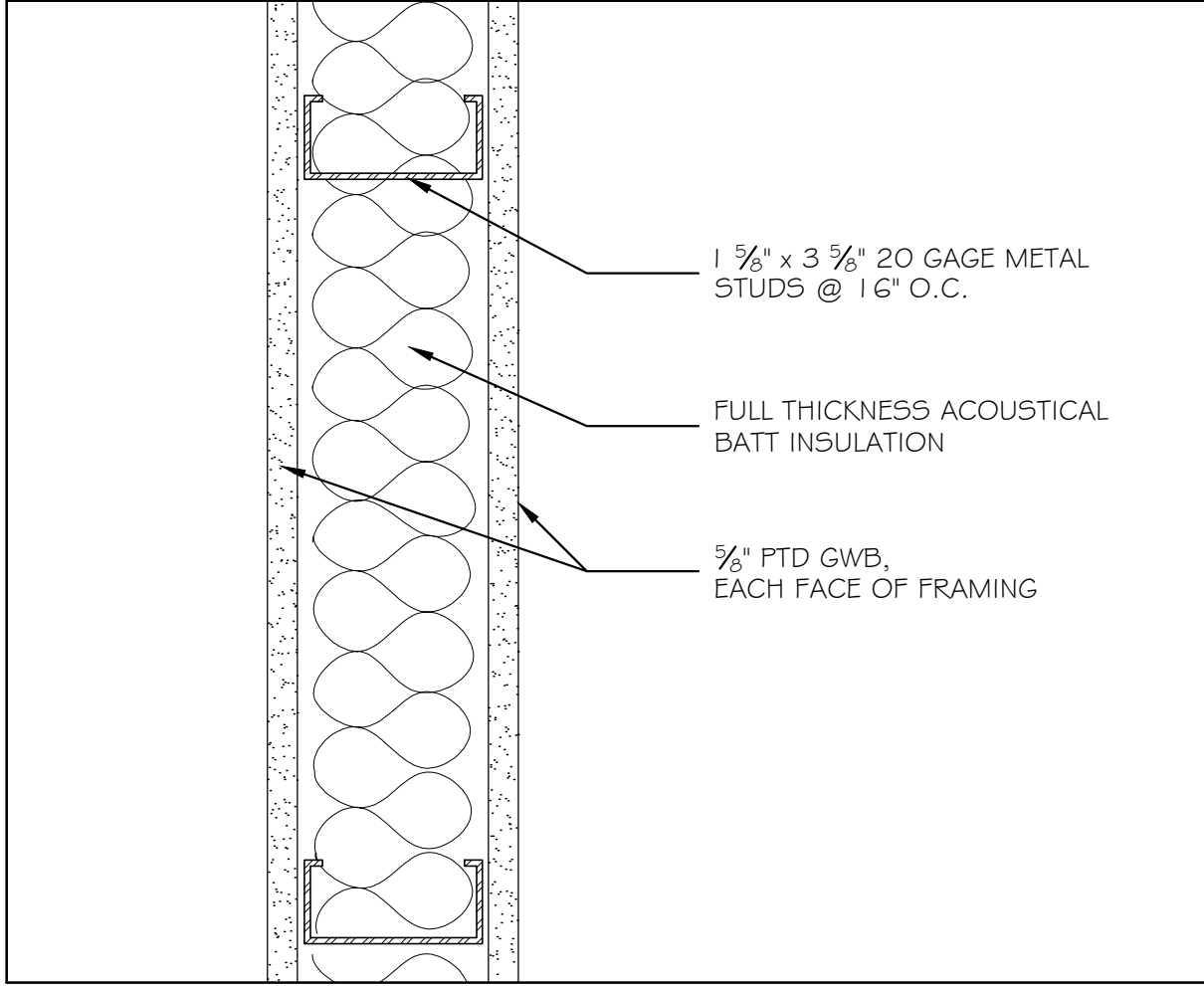
6 TYPICAL PARTITION (1 HR RATED) 3" = 1'-0"



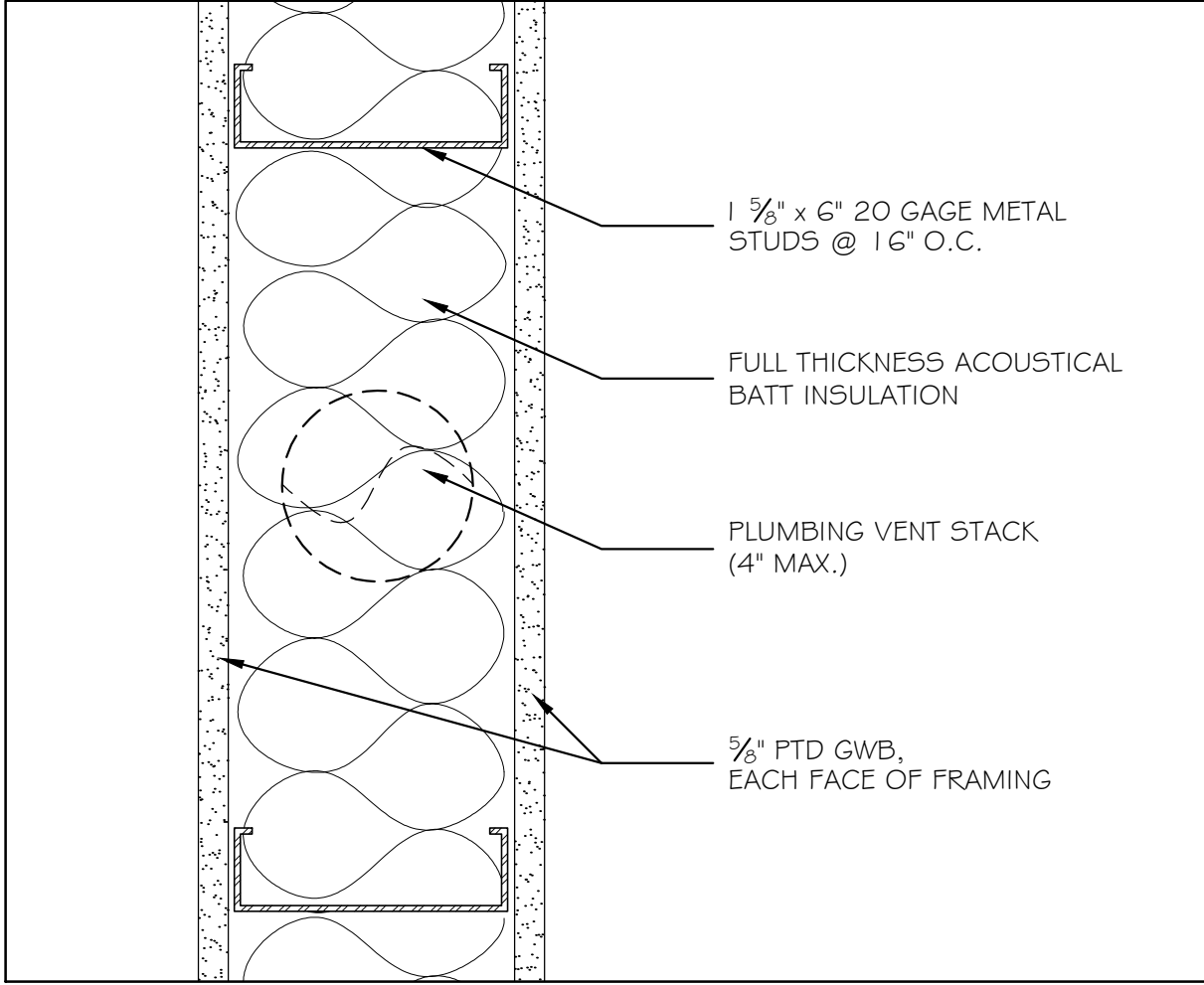
7 1 HR RATED PARTITION @ DEFLECTION TRACK 3" = 1'-0"



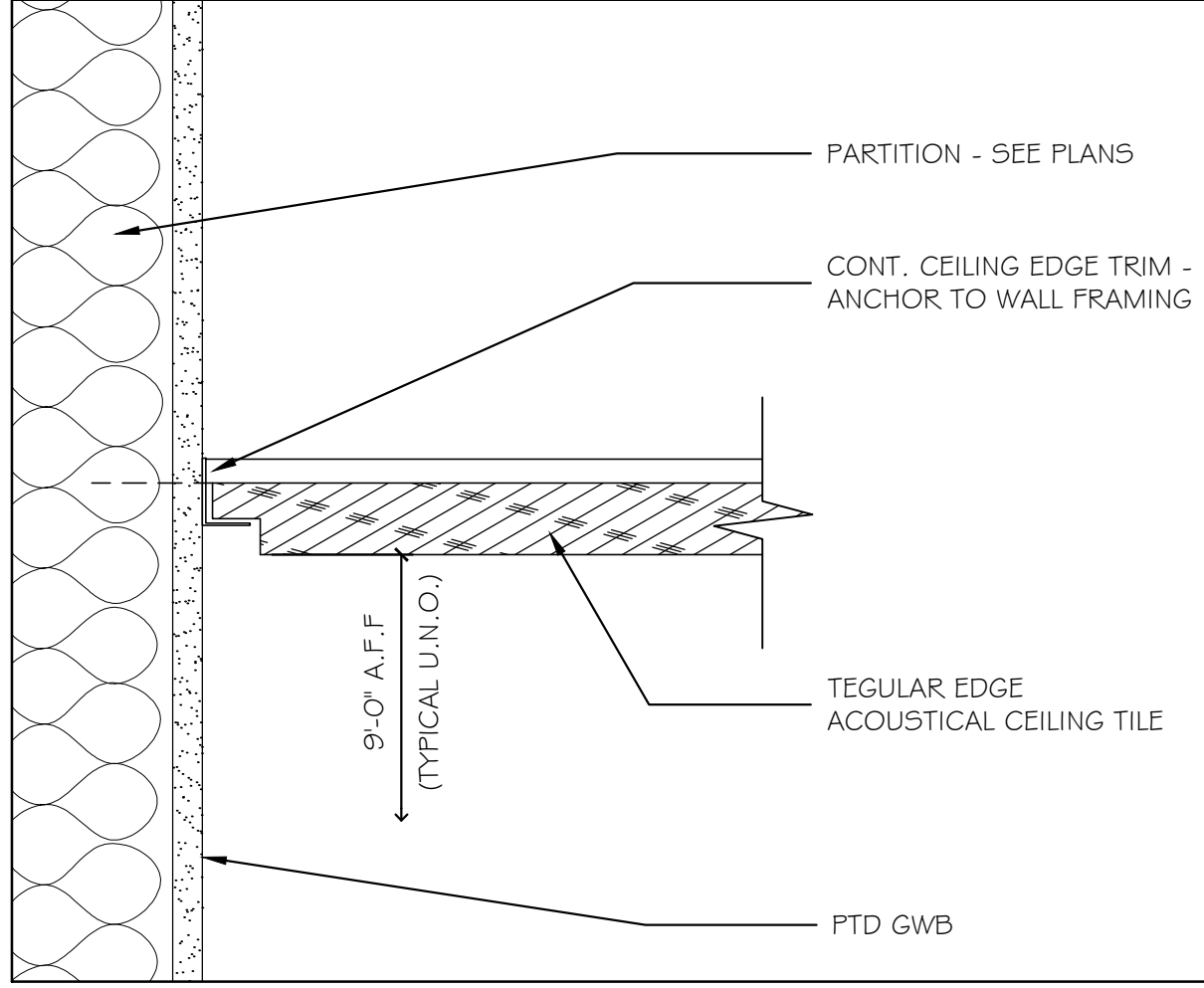
8 FIRE SEALANT AT PENETRATIONS 3" = 1'-0"



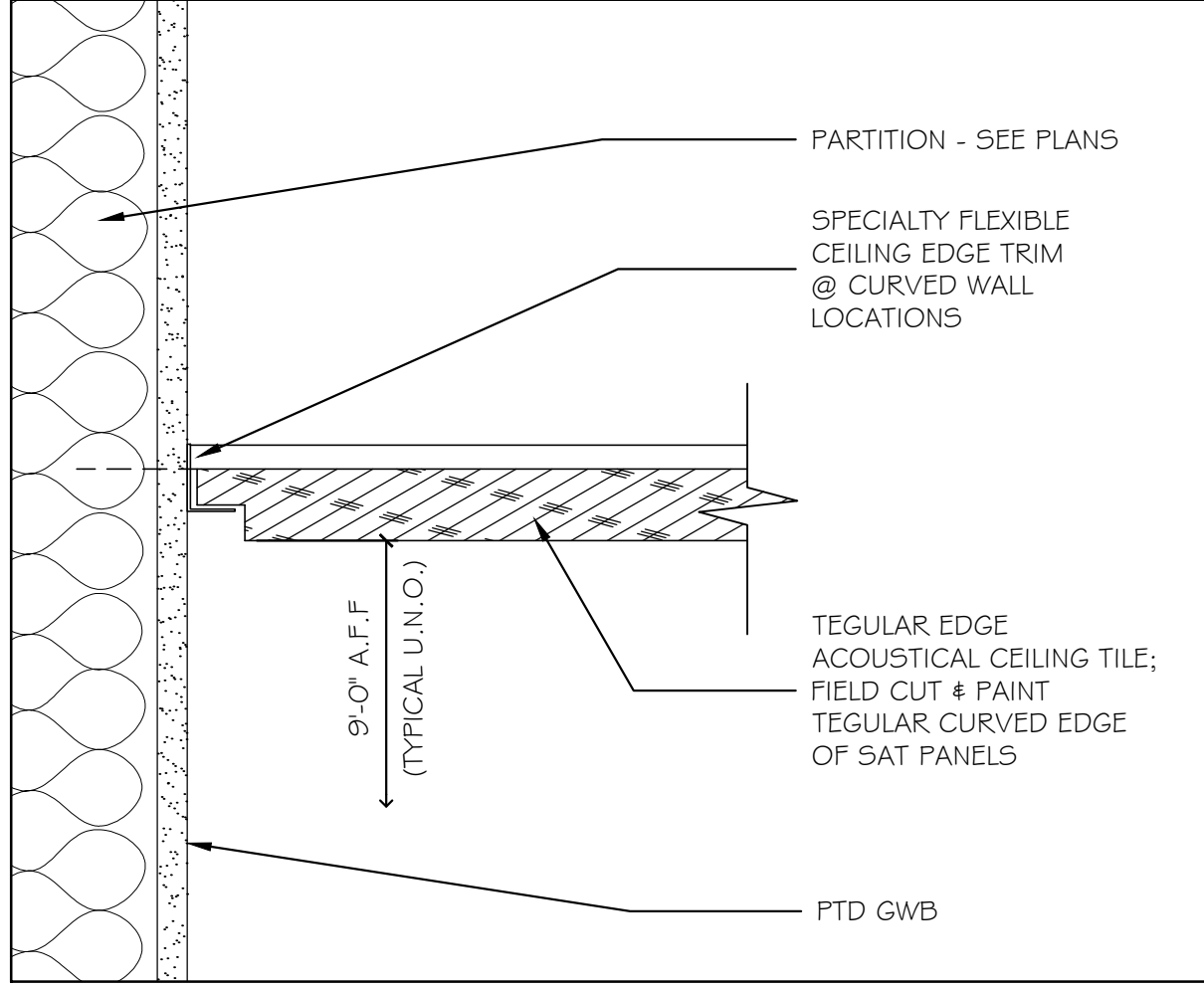
9 TYPICAL PARTITION (1 HR RATED) 3" = 1'-0"



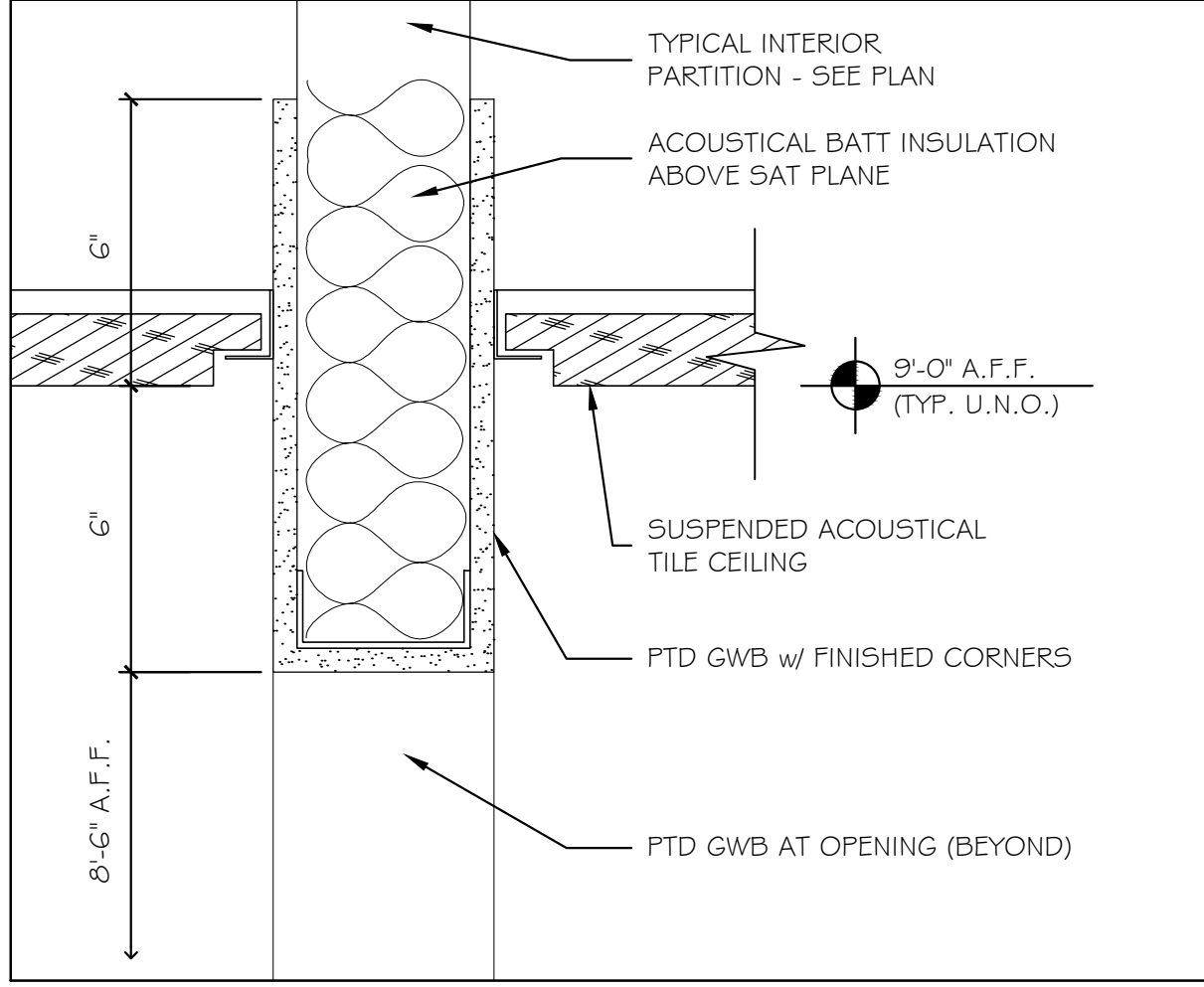
10 TYPICAL PARTITION (1 HR RATED) 3" = 1'-0"



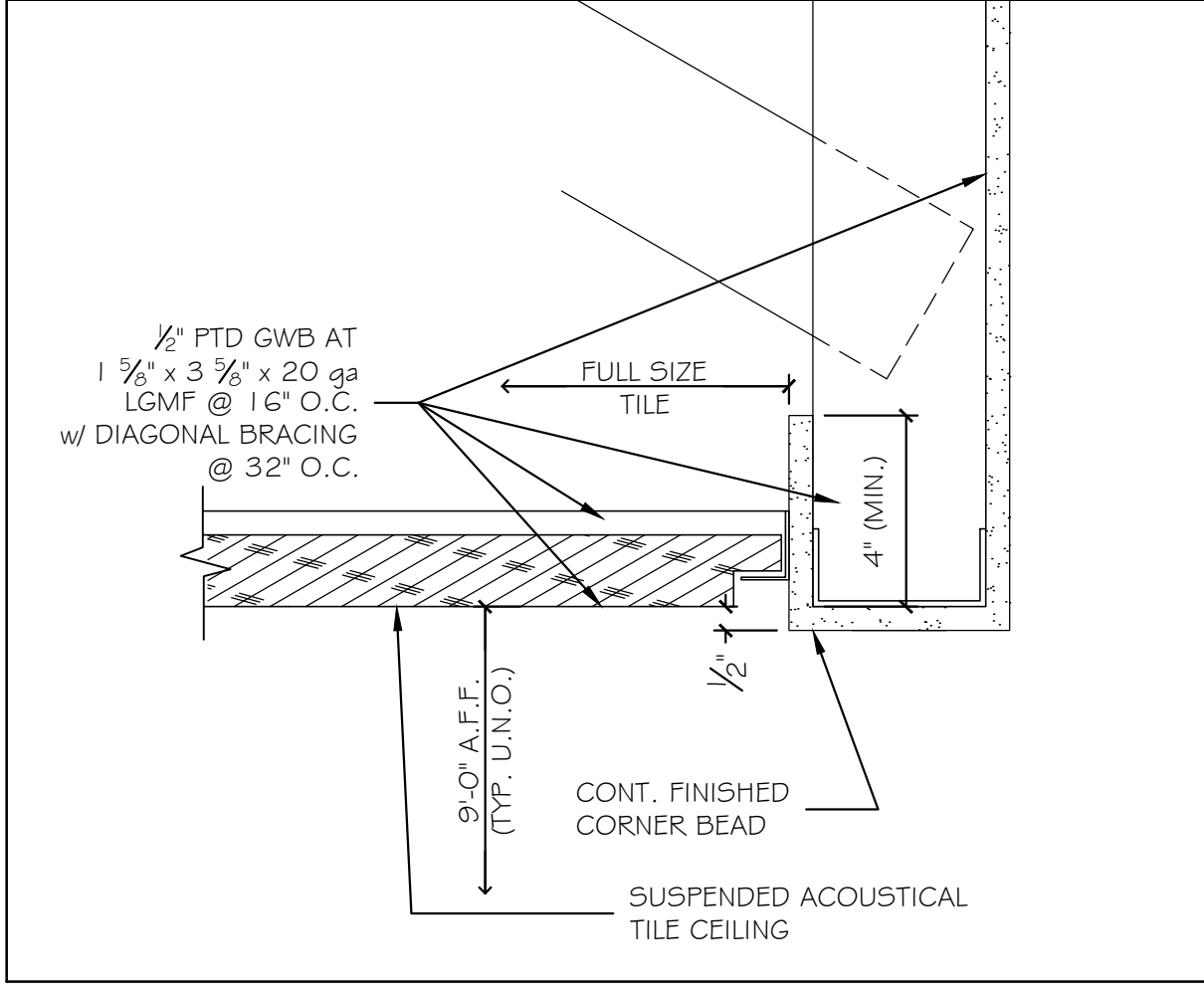
11 TYPICAL SAT DETAIL 3" = 1'-0"



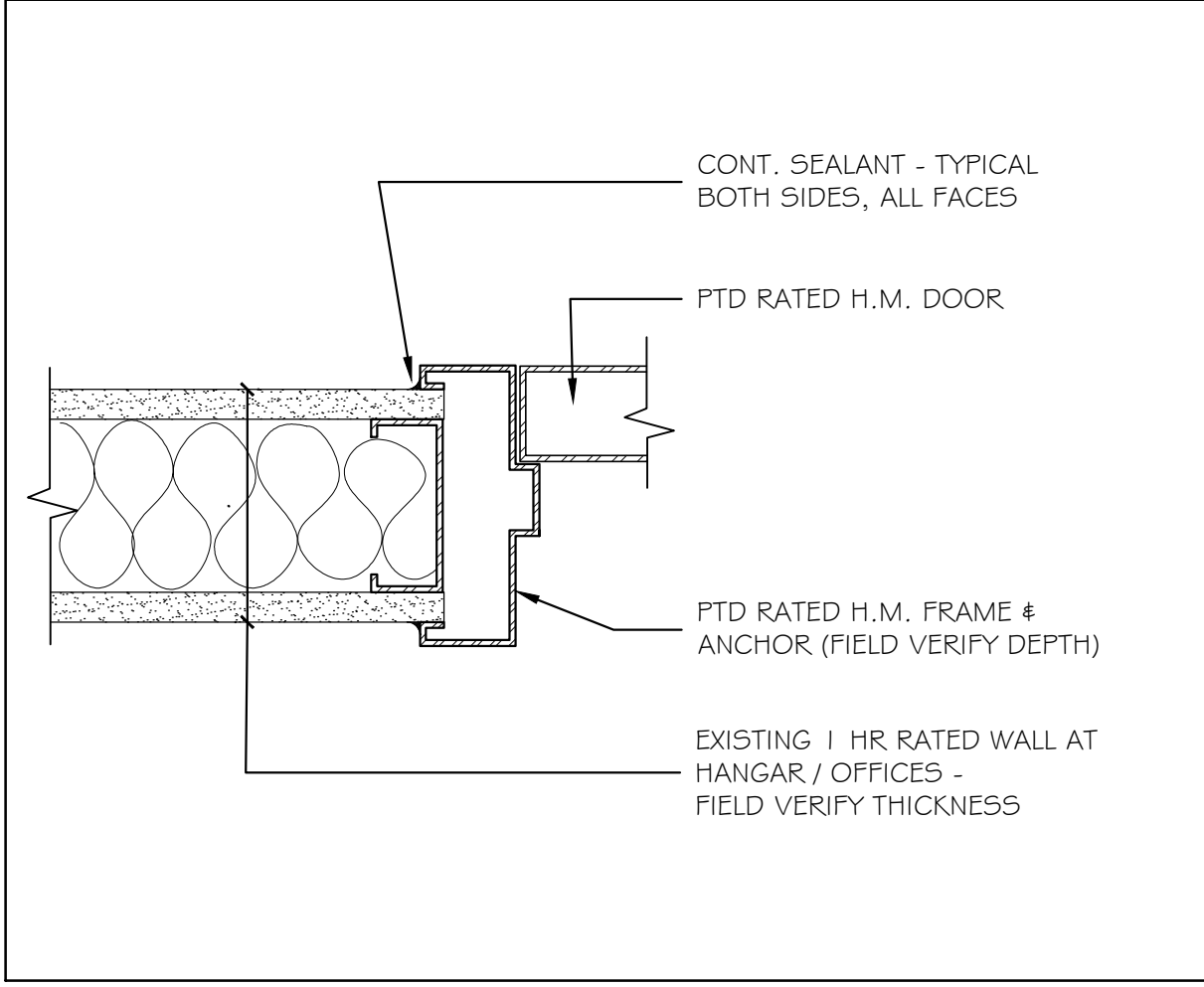
12 SAT DETAIL @ CURVED WALLS 3" = 1'-0"



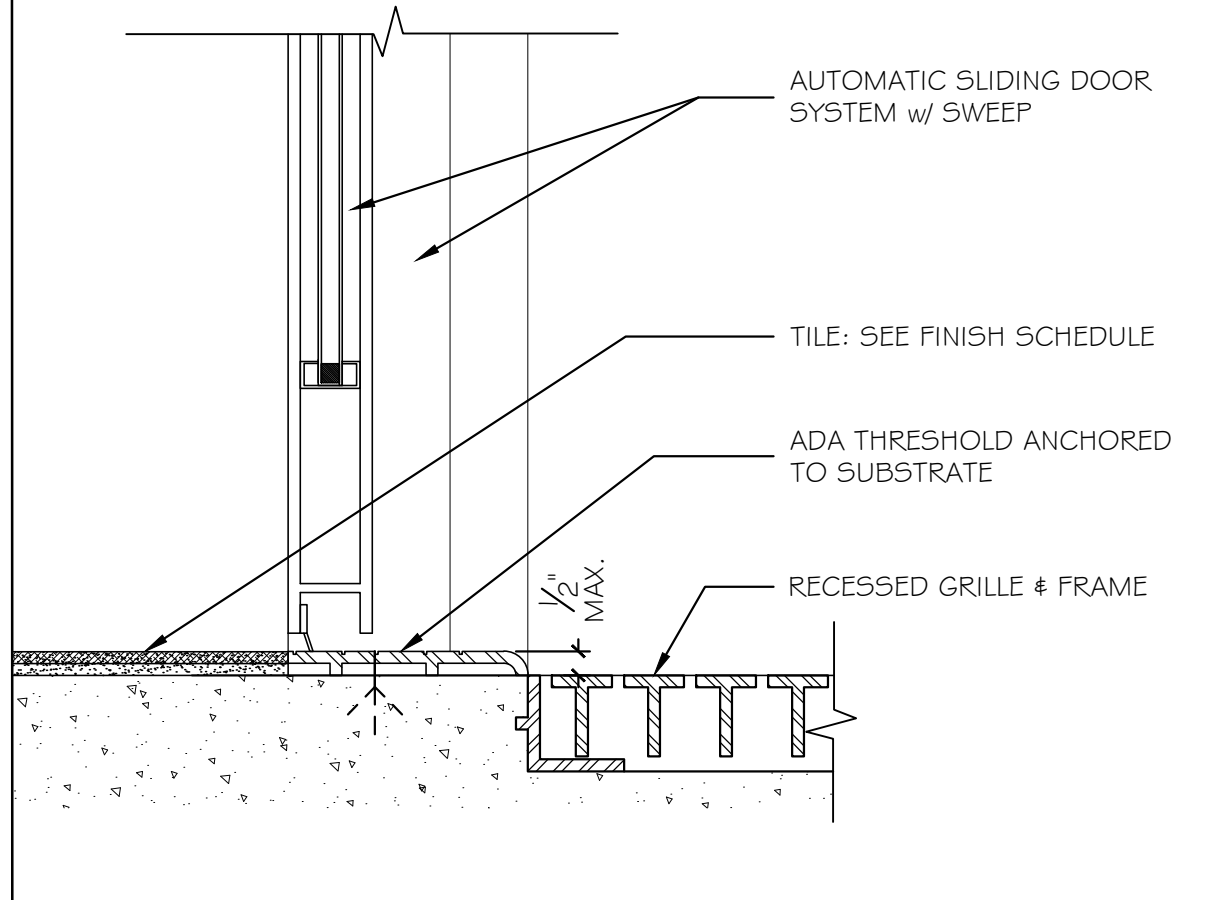
13 SAT AT GWB SOFFIT DETAIL 3" = 1'-0"



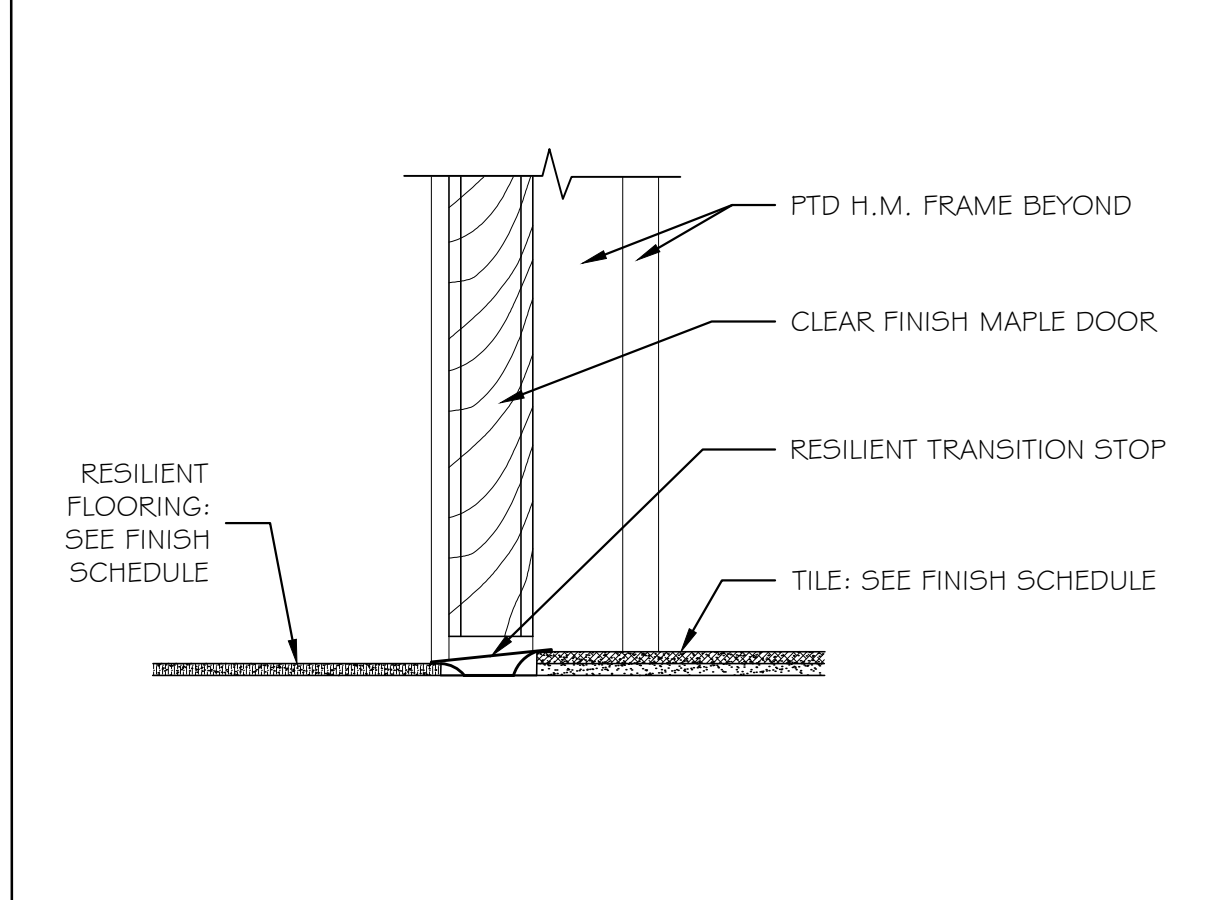
14 SAT AT GWB SOFFIT DETAIL 3" = 1'-0"



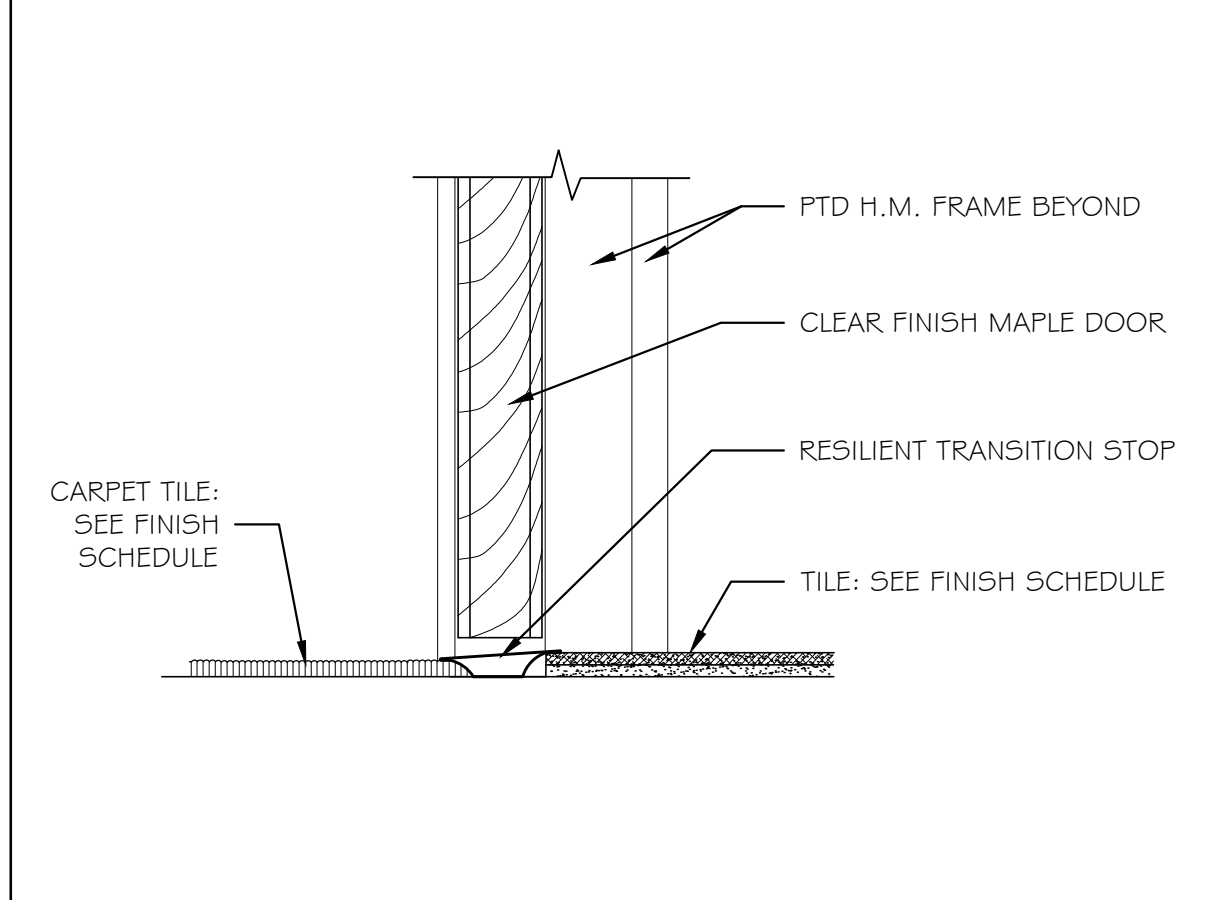
15 NEW RATED DOOR AT EXISTING PARTITION 3" = 1'-0"



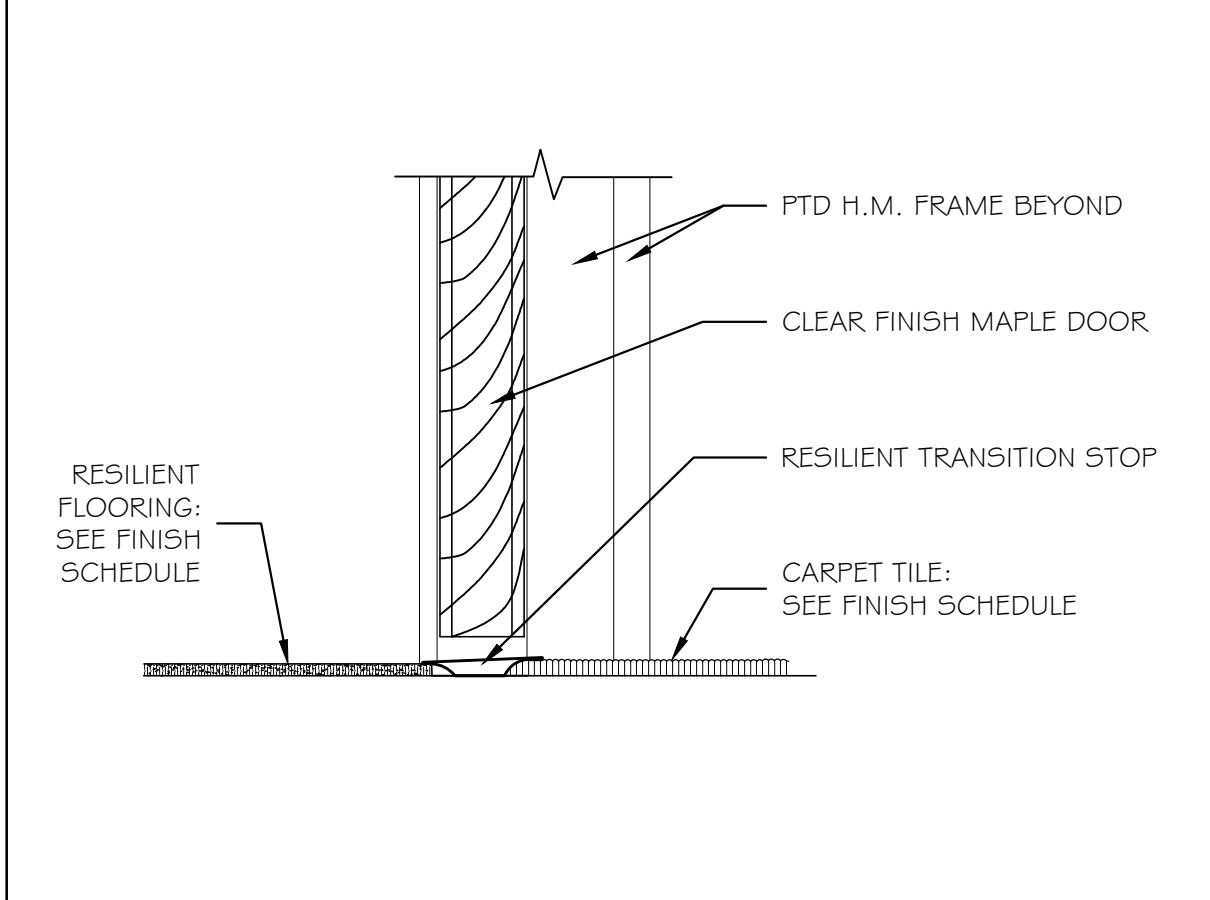
16 INTERIOR SILL DETAIL AT DOOR 3" = 1'-0"



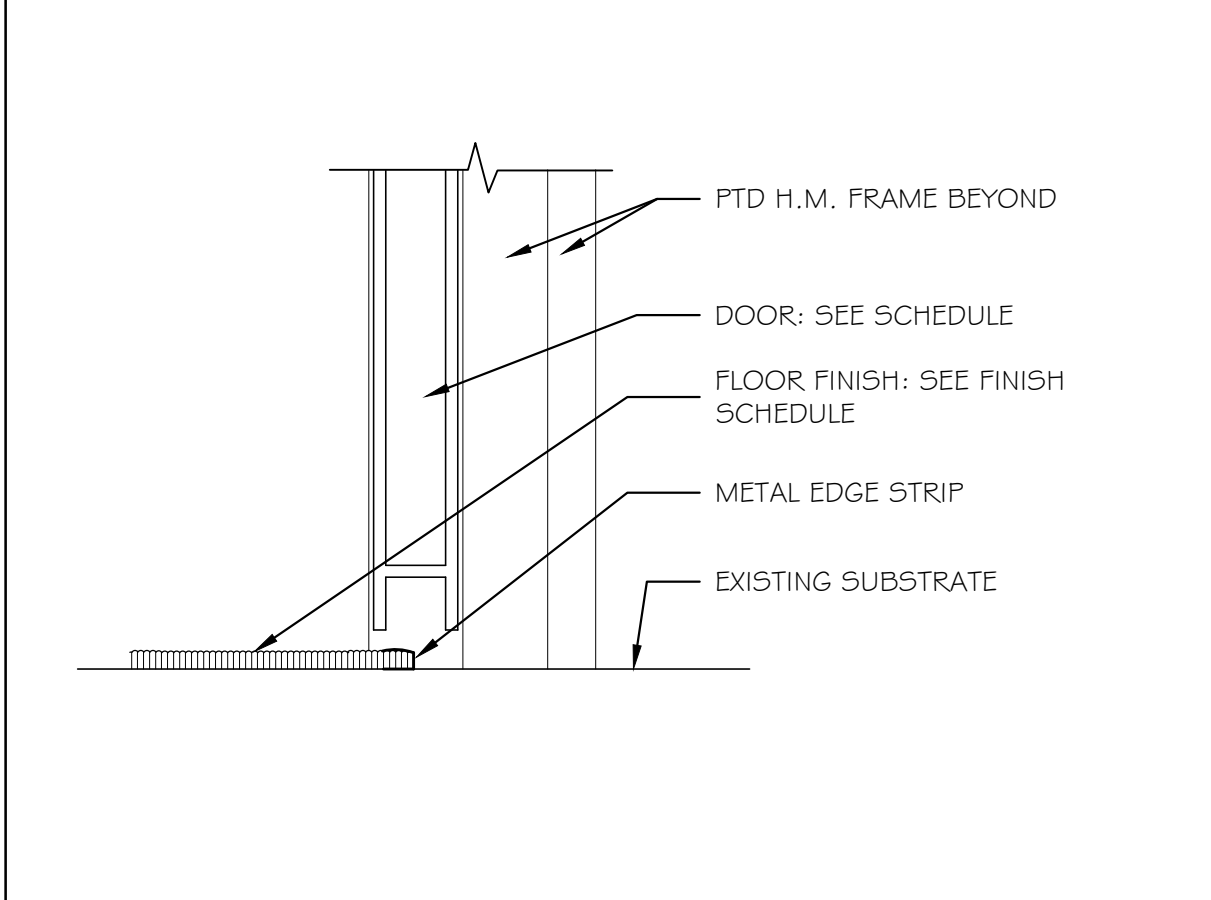
17 INTERIOR TRANSITION DETAIL AT DOOR 3" = 1'-0"



18 INTERIOR TRANSITION DETAIL AT DOOR 3" = 1'-0"



19 INTERIOR TRANSITION DETAIL AT DOOR 3" = 1'-0"



20 INTERIOR TRANSITION DETAIL AT DOOR 3" = 1'-0"