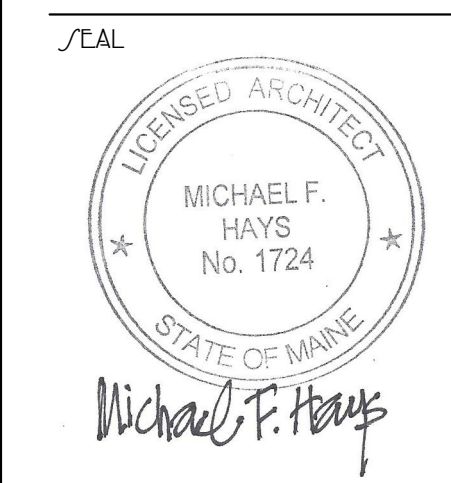


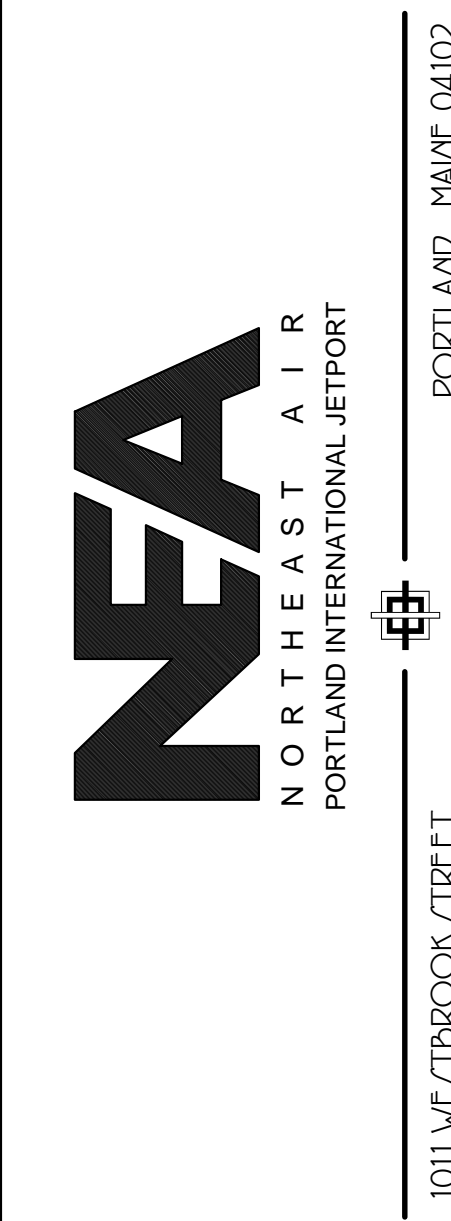
GRANT HAYS
ASSOCIATES

ARCHITECTURE & INTERIOR DESIGN
P.O. BOX 0179 FALMOUTH MAINE 04105
207.871.5900 www.granthays.com



REV/NO/

DRAWING NAME



1011 W. BROOK STREET

PHASE I
WINDOWS

DATE: 19 FEB '16
SCALE: AS NOTED
DRAWN: MFH/mgk
JOB NO.: 150655

1/8" = 1'-0"

A14

WINDOW SCHEDULE

ABBREVIATIONS

AL	ALUMINUM	MTL	METAL
CMT	CASMENT	TEMP	TEMPERED
DH	DOUBLE HUNG	V	VINYL
DW	DEWAL	WG	WIRE GLASS
(E)	EXISTING	WD	WOOD
FIX	FIXED SASH	W/	WITH
INSUL	INSULATED		

NO.	TYPE	MANUFACTURER		NOMINAL SIZE		DETAILS					REMARKS	
		MFGR	MODEL	WIDTH	HEIGHT	HEAD	JAMB	SILL	MUNT	MULL		
A	FIXED	ALUMINUM	STOREFRONT	6'-0"	4'-0"							* F.V. - EXISTING R.O.
B	FIXED	ALUMINUM	CURTAIN WALL	12'-0"	6'-0"							
C	FIXED	ALUMINUM	CURTAIN WALL	6'-8"	6'-0"							* TRANSOM @ VESTIBULE (O)
D	FIXED	ALUMINUM	CURTAIN WALL	20'-0"	6'-0"							
E	EXISTING	E	E	E	E	E	E	E	E	E		PAINT EXTERIOR FRAMES
F	FIXED	ALUMINUM	CURTAIN WALL	16'-0"	6'-0"							
G	FIXED	ALUMINUM	4" STANDARD	1'-10"	1'-10"							FLAT WINDOW @ RADIUS WALL
H	FIXED	ALUMINUM	4" STANDARD	4'-0"	4'-0"							

(REFER TO CURTAIN WALL INSTALLATION DRAWINGS)

(REFER TO CURTAIN WALL INSTALLATION DRAWINGS)

(REFER TO CURTAIN WALL INSTALLATION DRAWINGS)

1 EXTERIOR WINDOW HEAD 3"= 1'-0"

(REFER TO CURTAIN WALL INSTALLATION DRAWINGS)

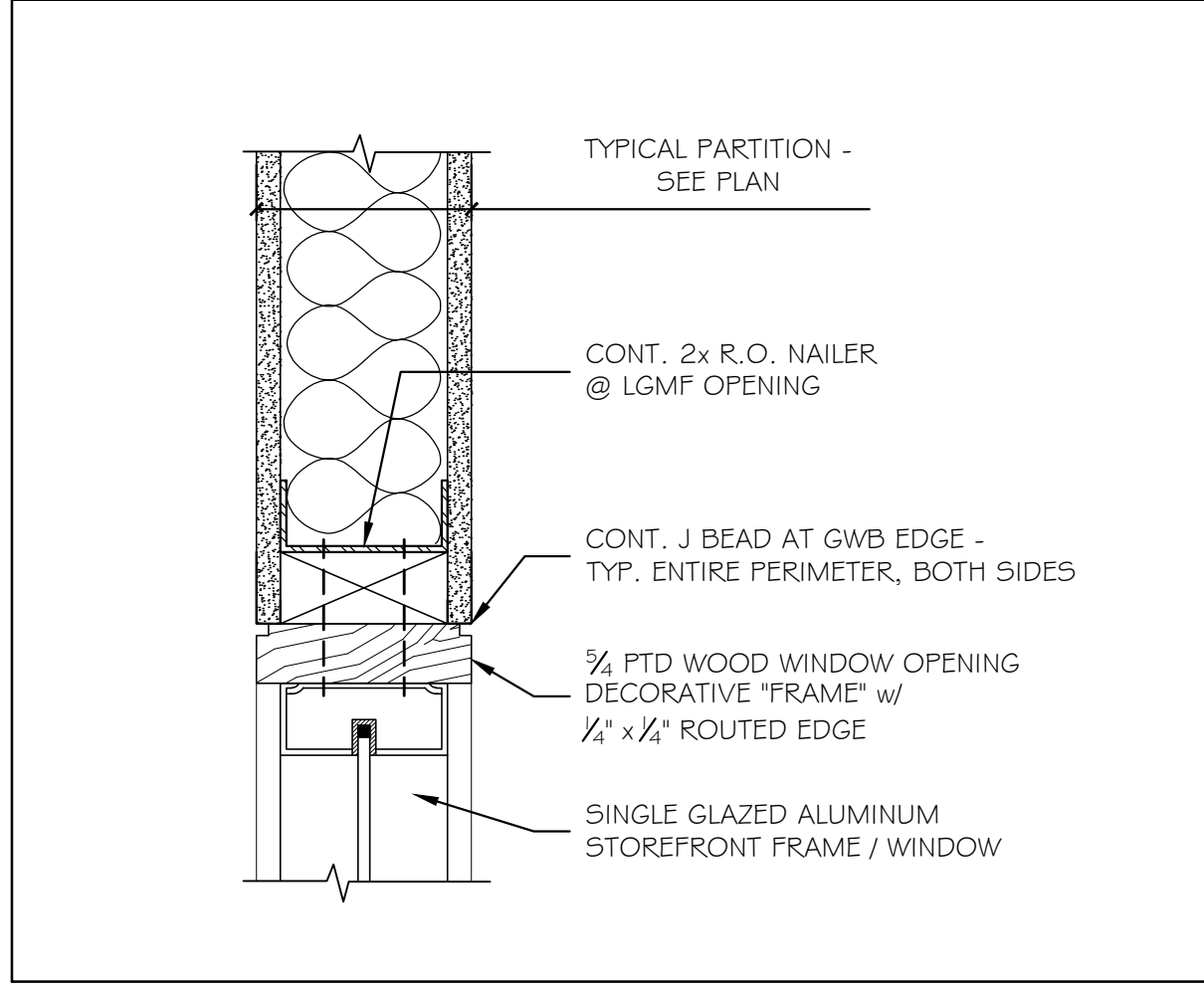
2 EXTERIOR WINDOW JAMB 3"= 1'-0"

(REFER TO CURTAIN WALL INSTALLATION DRAWINGS)

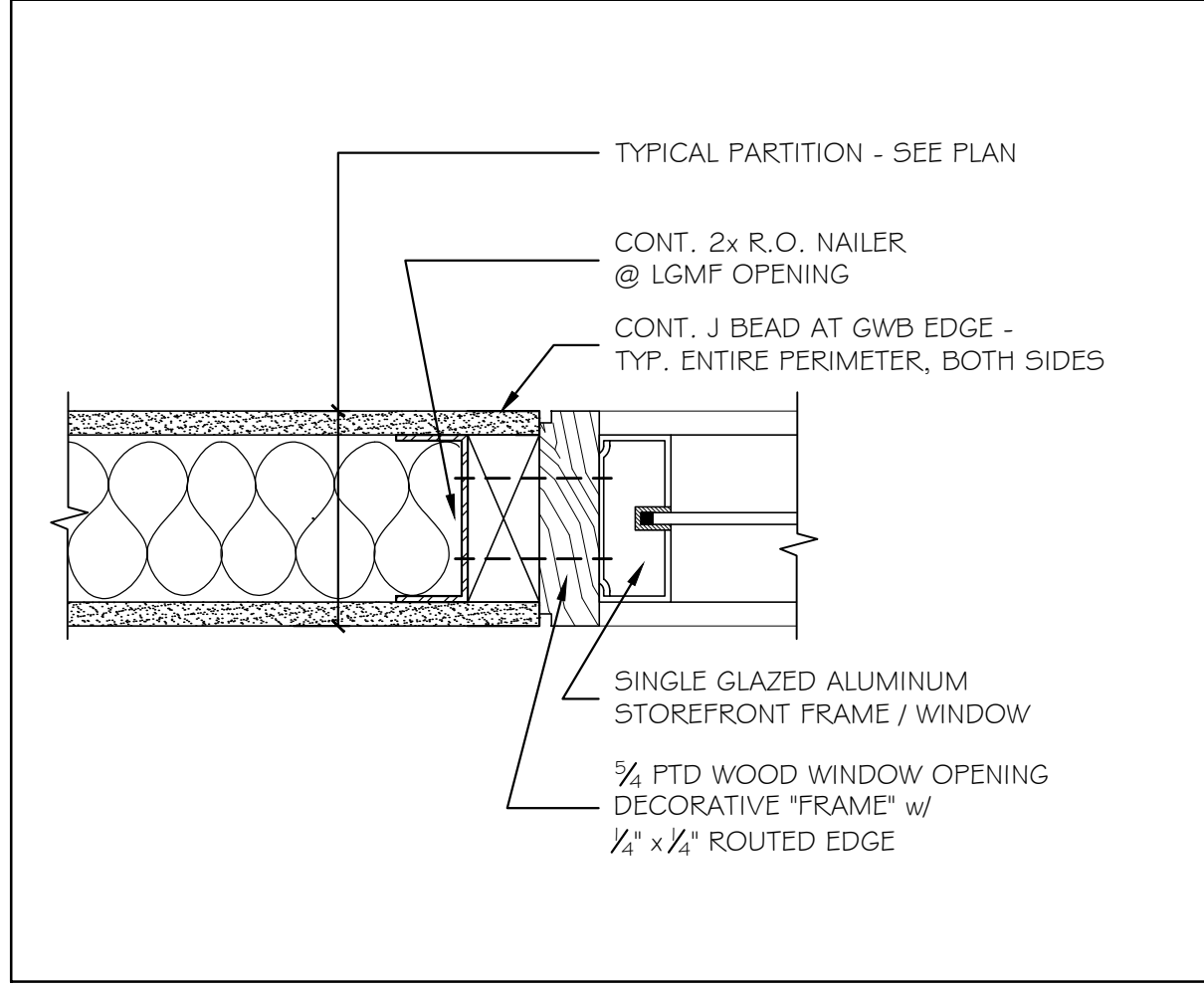
3 EXTERIOR WINDOW SILL 3"= 1'-0"

(REFER TO CURTAIN WALL INSTALLATION DRAWINGS)

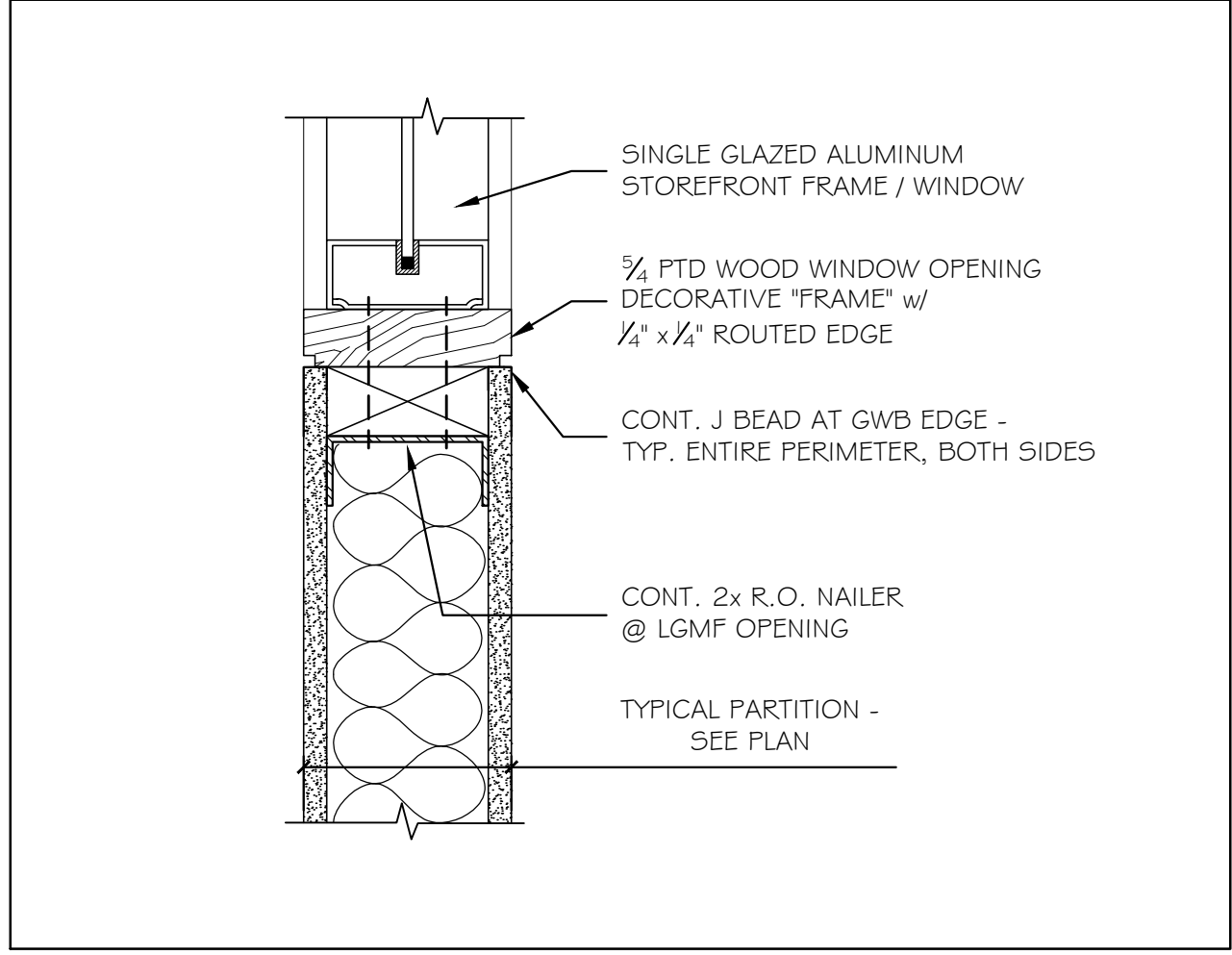
4 EXTERIOR WINDOW MULLION 3"= 1'-0"



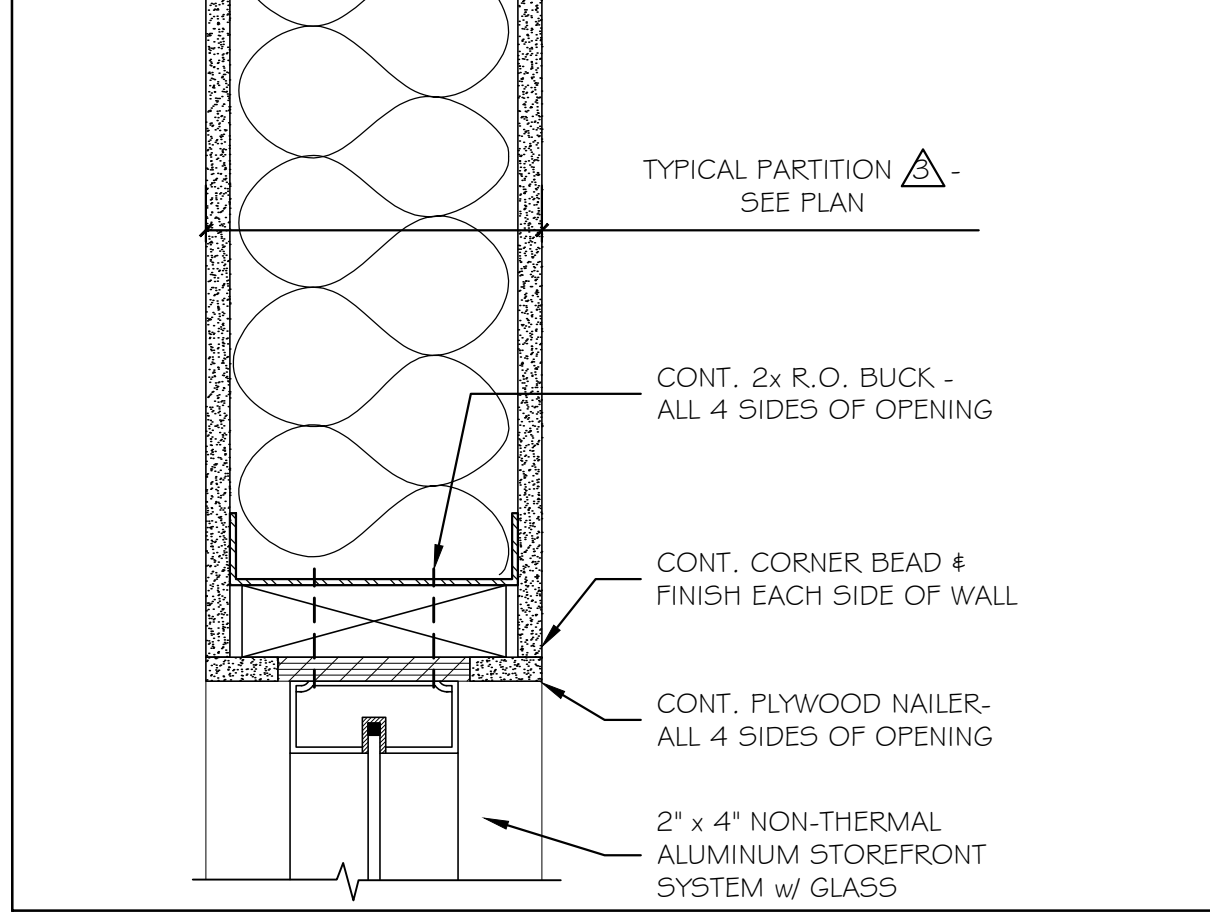
5 EXTERIOR WINDOW MUNTIN (TRANSOM) 3"= 1'-0"



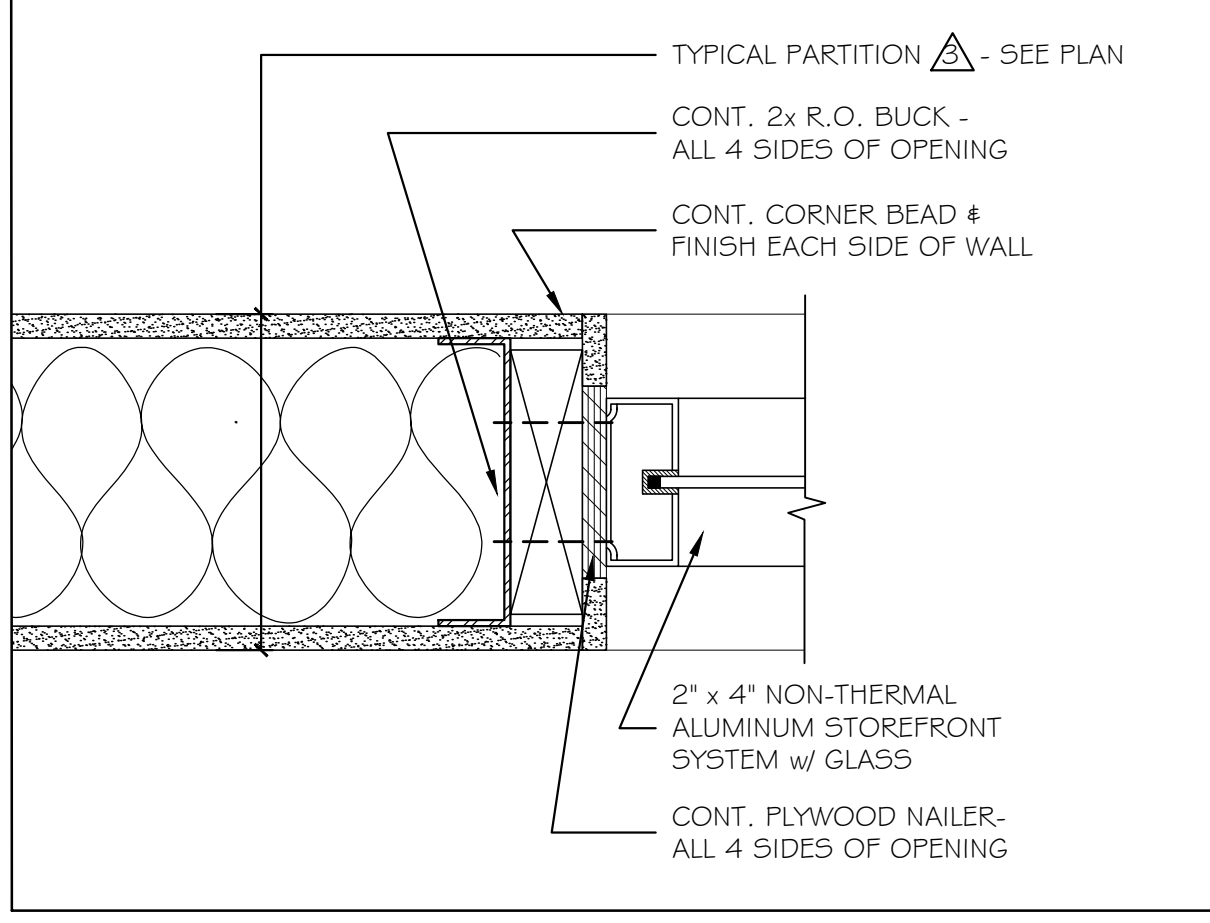
6 EXTERIOR WINDOW JAMB - VESTIBULE 3"= 1'-0"



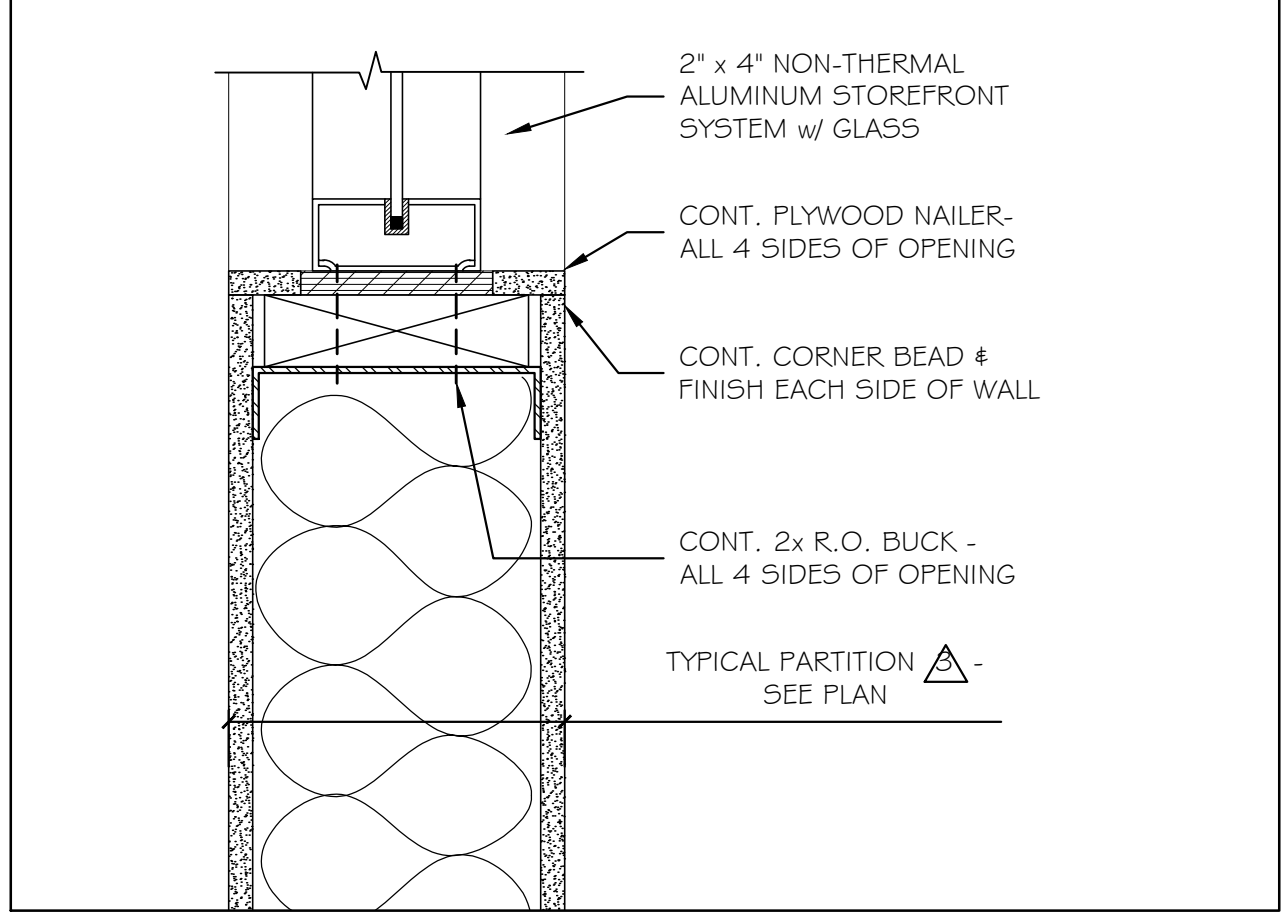
7 INTERIOR WINDOW HEAD @ PARTITION 3"= 1'-0"



8 INTERIOR WINDOW JAMB @ PARTITION 3"= 1'-0"



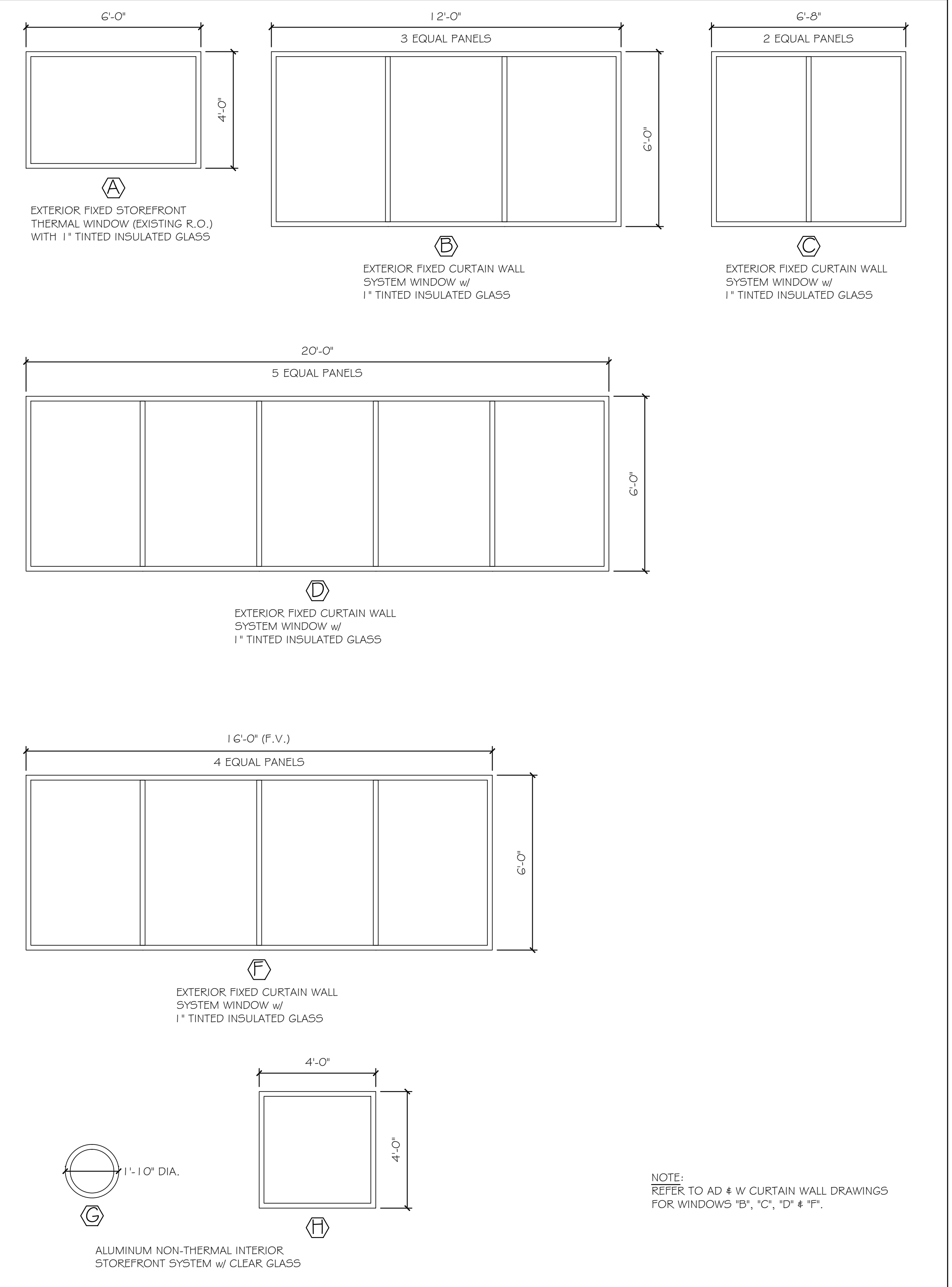
9 INTERIOR WINDOW SILL @ PARTITION 3"= 1'-0"



10 INTERIOR WINDOW HEAD @ CURVED PARTITION 3"= 1'-0"

11 INTERIOR WINDOW JAMB @ CURVED PARTITION 3"= 1'-0"

12 INTERIOR WINDOW SILL @ CURVED PARTITION 3"= 1'-0"



FRAME TYPES 3/8" = 1'-0"

NOTE: REFER TO AD # W CURTAIN WALL DRAWINGS FOR WINDOWS 'B', 'C', 'D' & 'F'.