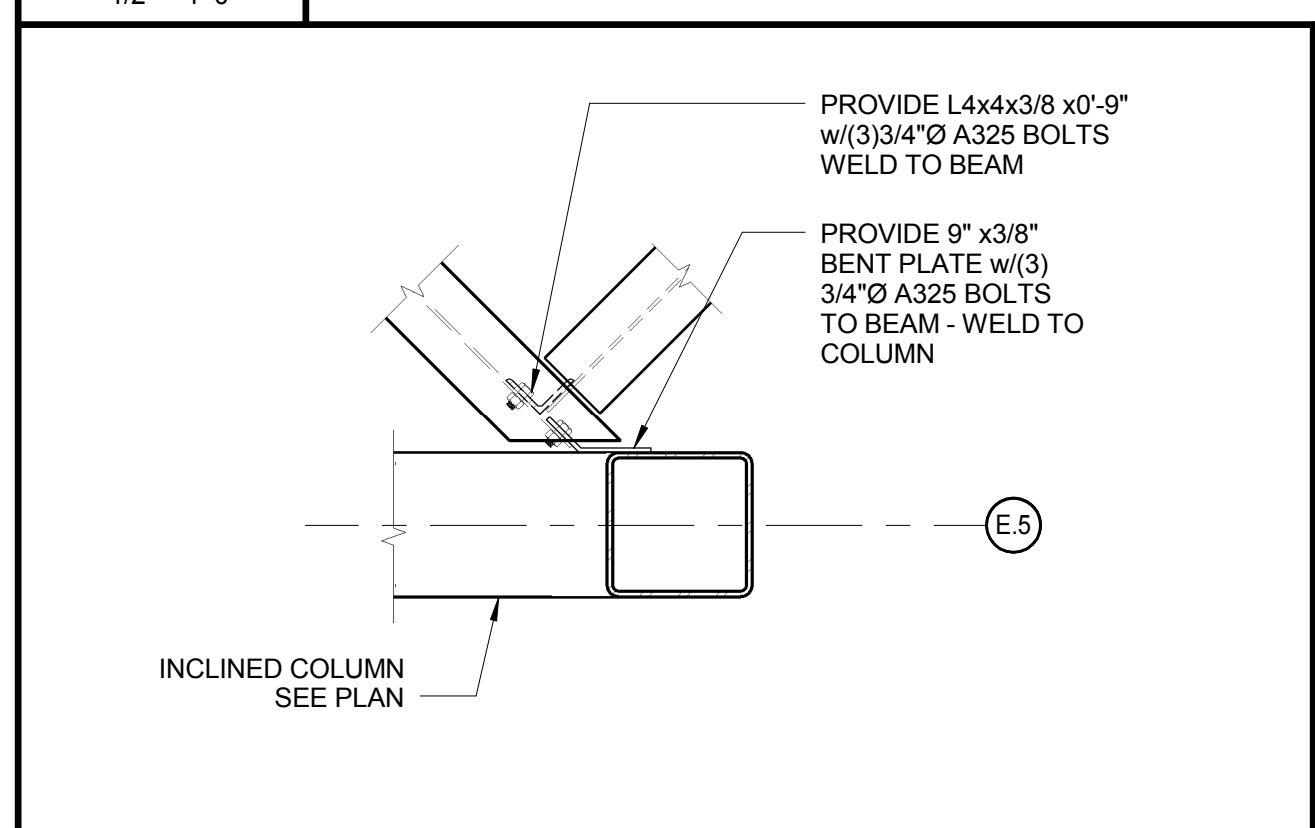
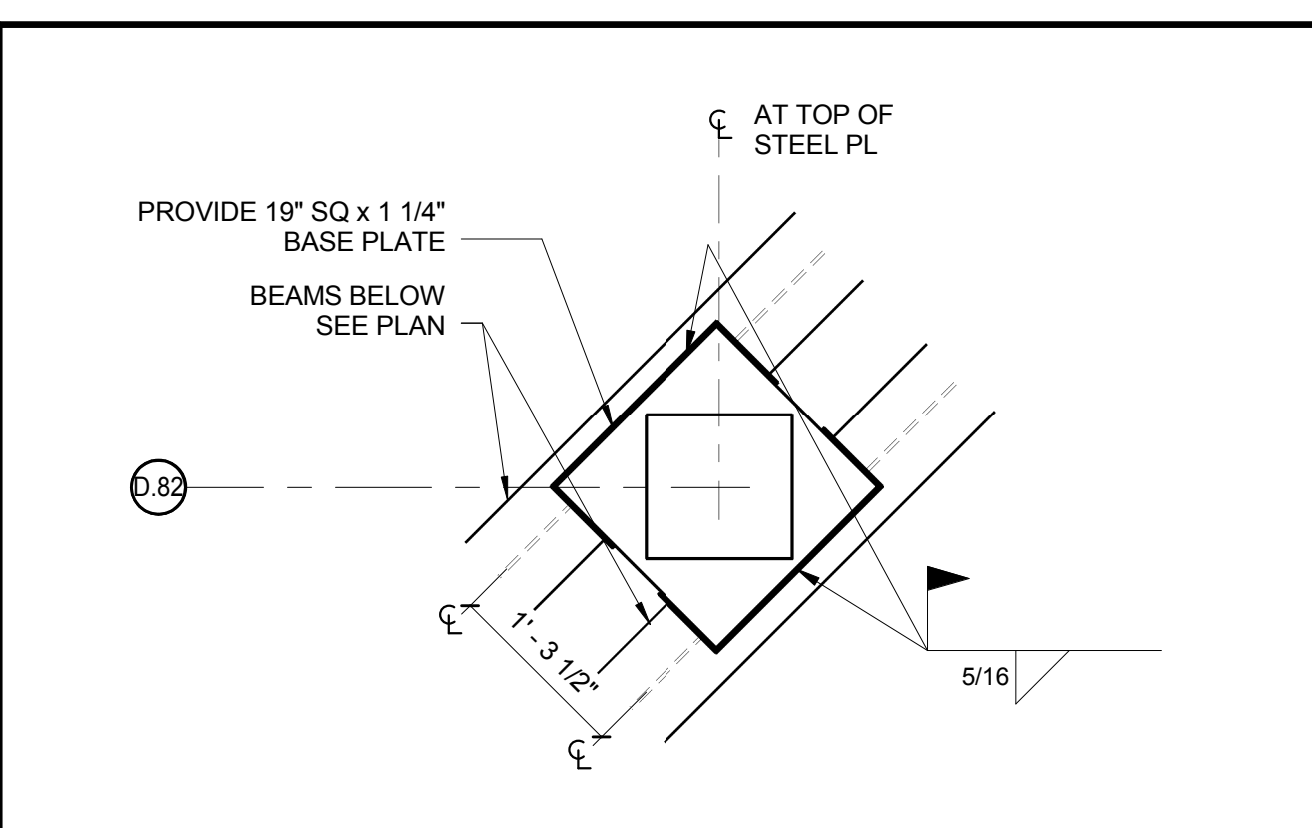


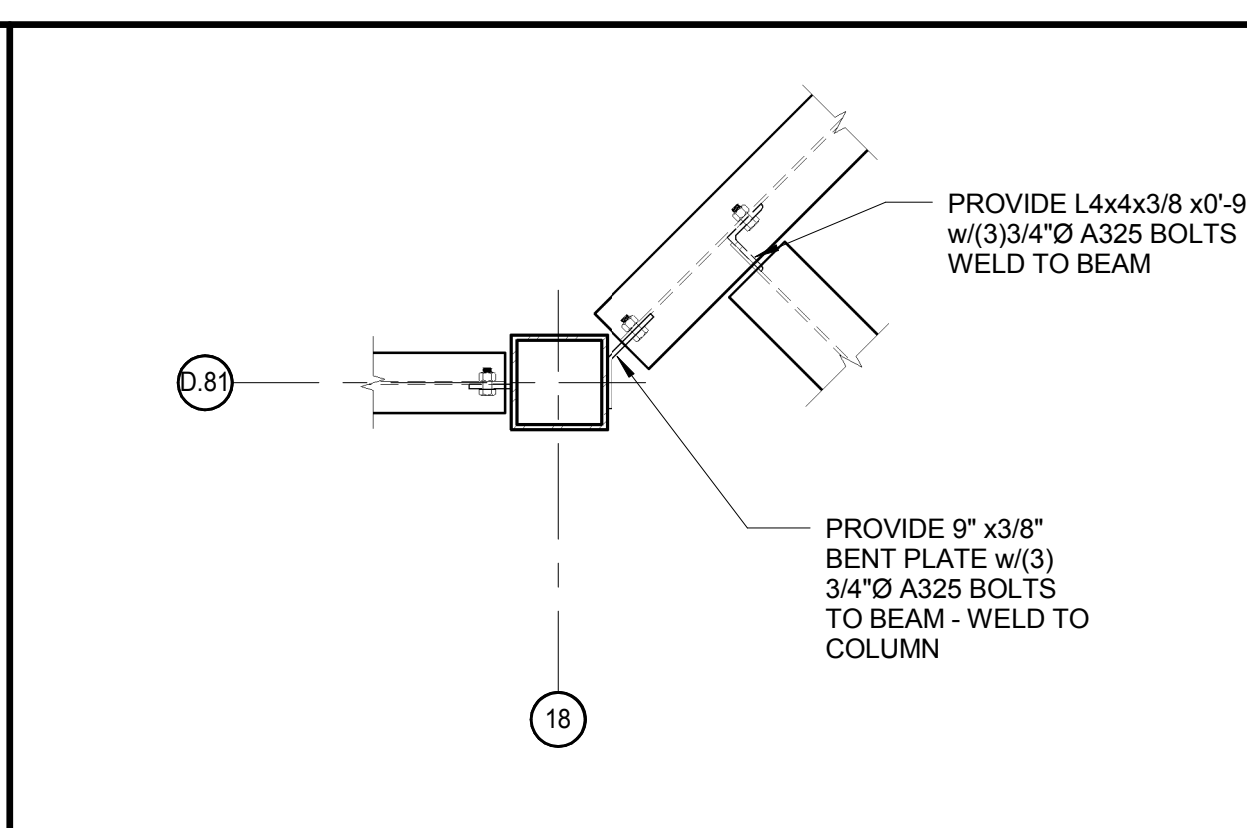
F5 STEEL ELEVATION AT MAIN ENTRY CANOPY
1/2" = 1'-0"



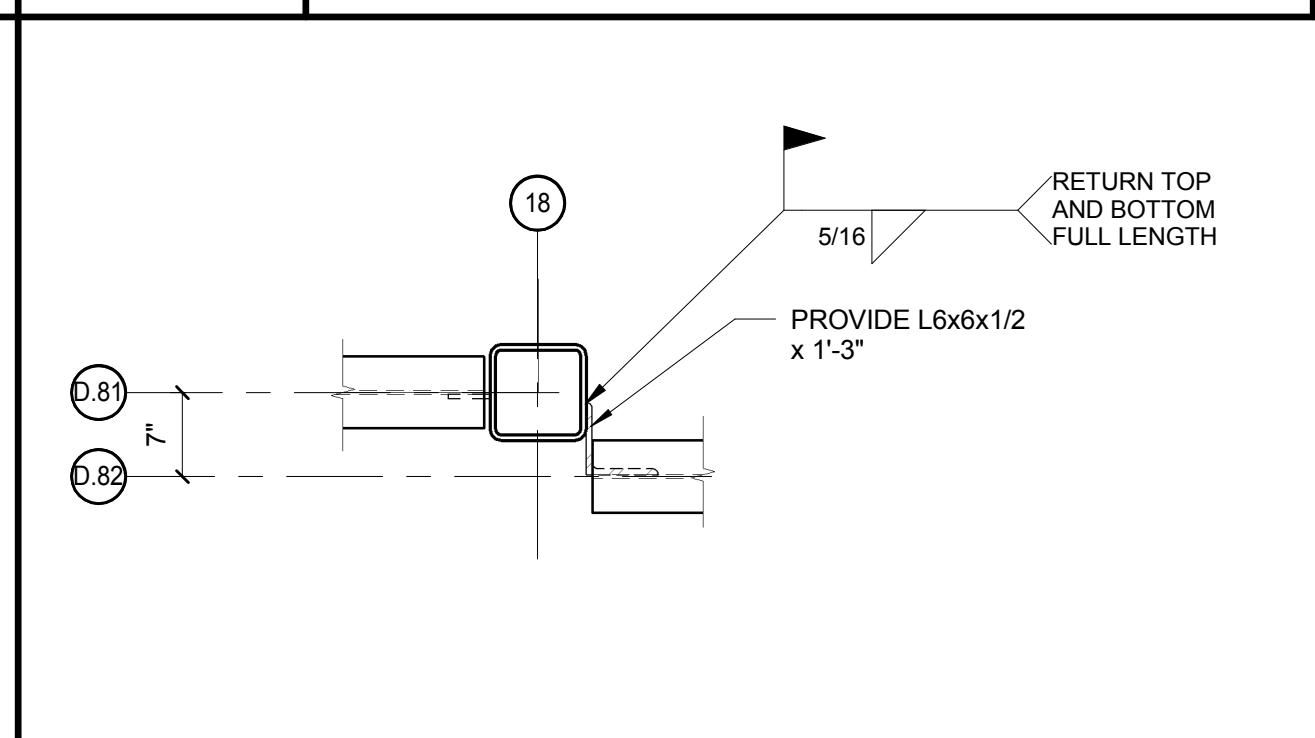
D5 ENLARGED PLAN VIEW
3/4" = 1'-0"



D7 N_T.O.S. FLOOR - Callout 3
3/4" = 1'-0"



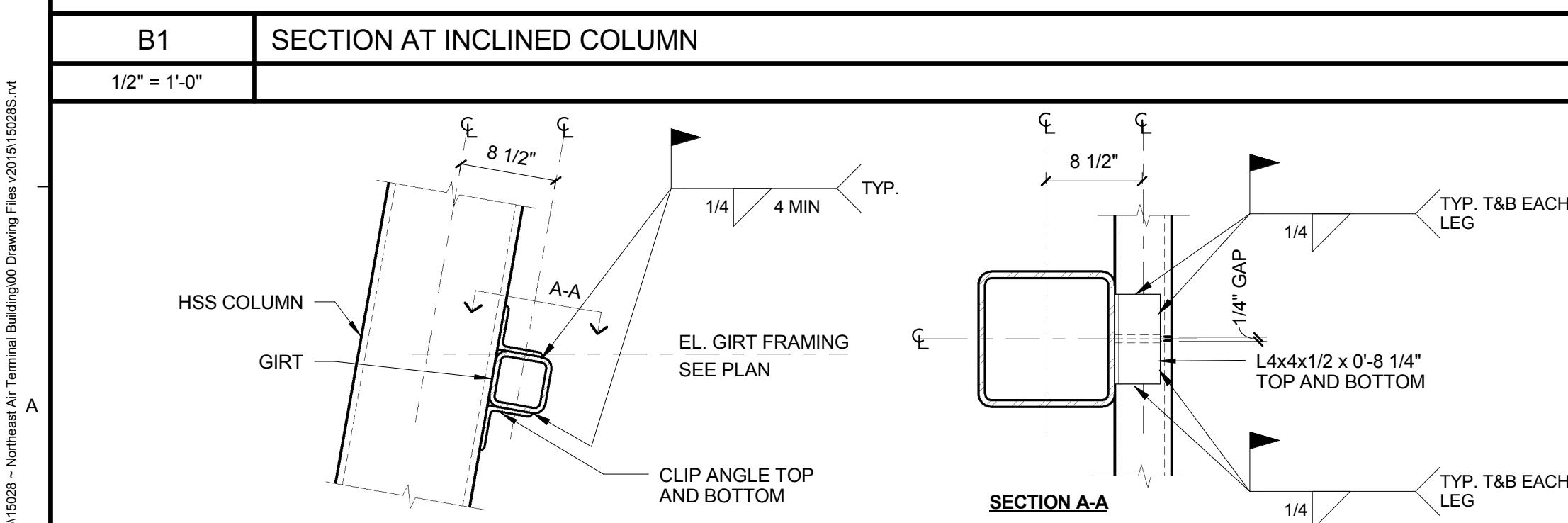
D9 ENLARGED PLAN VIEW
3/4" = 1'-0"



B5 ENLARGED PLAN VIEW
3/4" = 1'-0"



A4 GIRTS CONNECTION @ CORNER
1" = 1'-0"



B1 SECTION AT INCLINED COLUMN
1/2" = 1'-0"

A1 GIRTS TO COLUMN CONNECTION
1" = 1'-0"

160 Veranda Street
Portland, Maine 04103
T: 207.221.2260
F: 207.221.2266
Web: www.allied-eng.com

Allied Engineering
Structural Mechanical Electrical Commissioning

GRANT HAYS ASSOCIATES
ARCHITECTURE & INTERIOR DESIGN
P.O. BOX 6179 FALMOUTH MAINE 04105
207.871.5900 www.granthays.com

STRUCTURAL - DETAILS

NORTHEAST AIR
PORTLAND INTERNATIONAL AIRPORT
1011 WESTBROOK STREET
PORTLAND, MAINE 04102

95% CD SET ~ 14 DECEMBER 2015 ~ NOT FOR CONSTRUCTION

SF-500

N:\projects\2015\15028 - Northeast Air Terminal Building\00 Drawing Files\201515028S.rvt