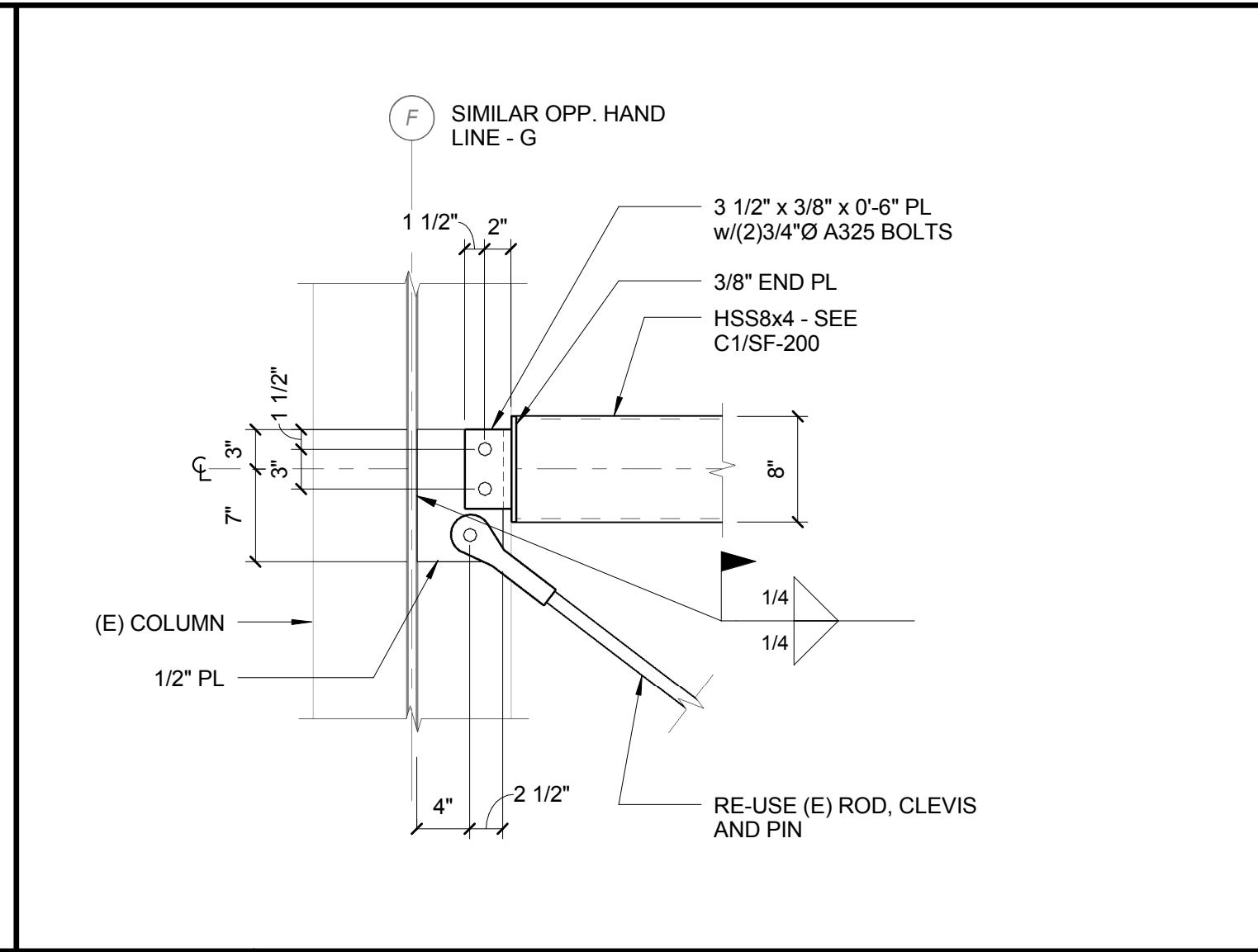
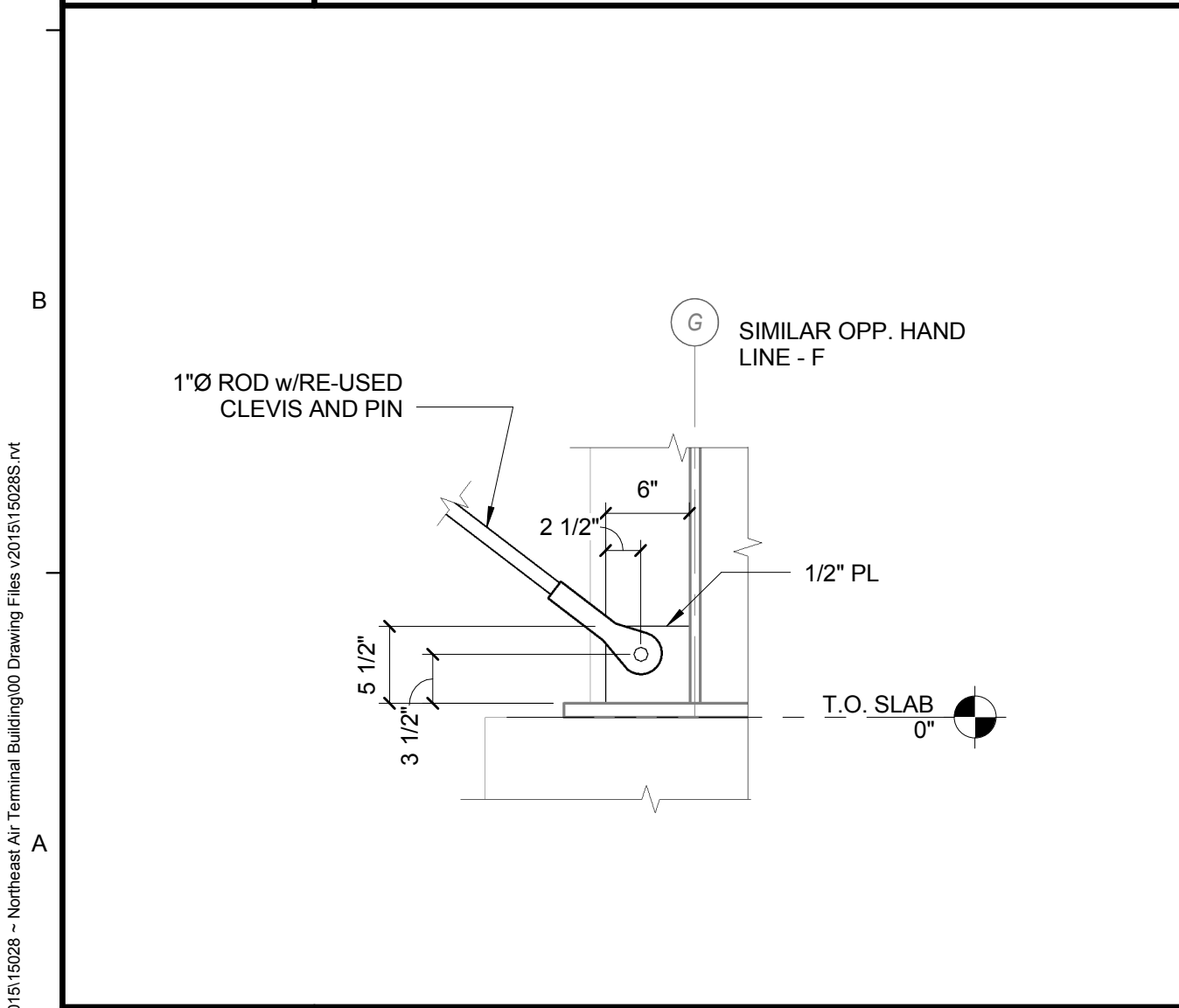


C1 RELOCATED BRACE AT HANGER
3/8" = 1'-0"

C6 RELOCATED BRACE AT STAIR
3/8" = 1'-0"



A1 DETAIL
1" = 1'-0"

A3 DETAIL
1" = 1'-0"

160 Veranda Street
Portland, Maine 04103
T: 207.221.2260
F: 207.221.2266
Web: www.allied-eng.com

Allied Engineering
Structural Mechanical Electrical Commissioning

GRANT HAYS ASSOCIATES
ARCHITECTURE & INTERIOR DESIGN
P.O. BOX 6179 FALMOUTH MAINE 04105
207.871.9900 www.granthays.com

Date: -
Drawn By: PED
Checked By: JPM
Project Mgr: WPF
Project No: 15028
Card File: 15028S.rvt
Graphic Scale: 0" 1"

STRUCTURAL - ROD CROSS BRACING
ELEVATIONS AND DETAILS

NEA NORTHEAST AIR
PORTLAND INTERNATIONAL AIRPORT
1011 WESTBROOK STREET PORTLAND, MAINE 04102

© COPYRIGHT 2015 ALLIED ENGINEERING, INC.

SF-200

95% CD SET ~ 14 DECEMBER 2015 ~ NOT FOR CONSTRUCTION

N:\Projects\2015\15028 - Northeast Air Terminal Building\00 Drawing Files\201515028S.rvt