

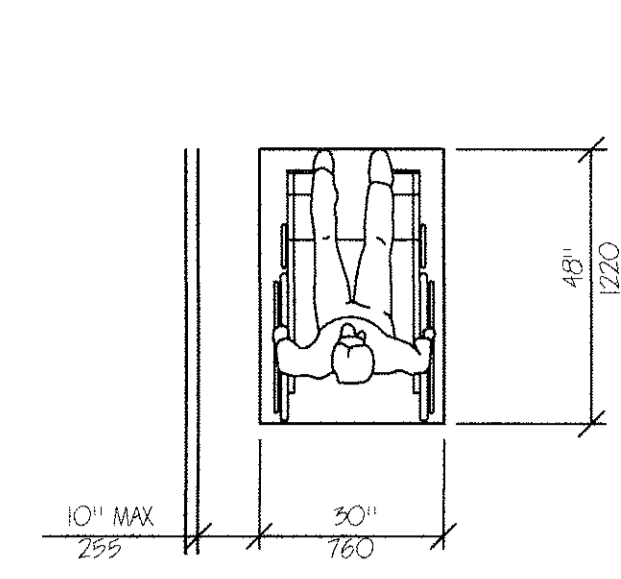
DRAWING NAME

1011 W. FRODOOK STREET  
PORTLAND, MAINE 04102

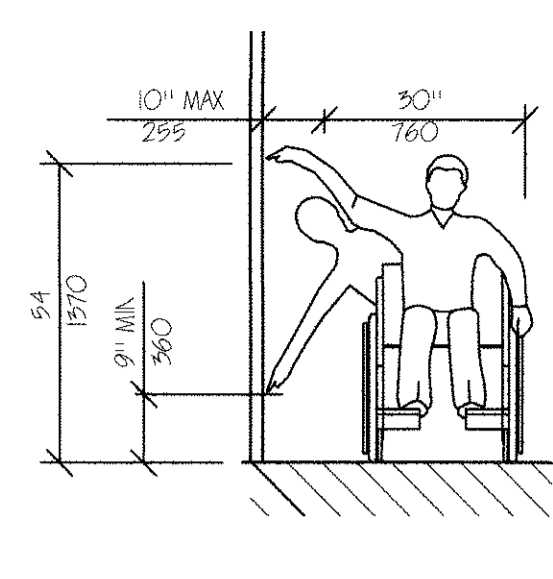
ACCESSIBILITY  
DETAILS, NOTES  
& SIGNAGE

DATE: 14 DEC '15  
SCALE: AS NOTED  
DRAWN: MFF/mgk  
JOB NO.: 150655  
SHEET: A21

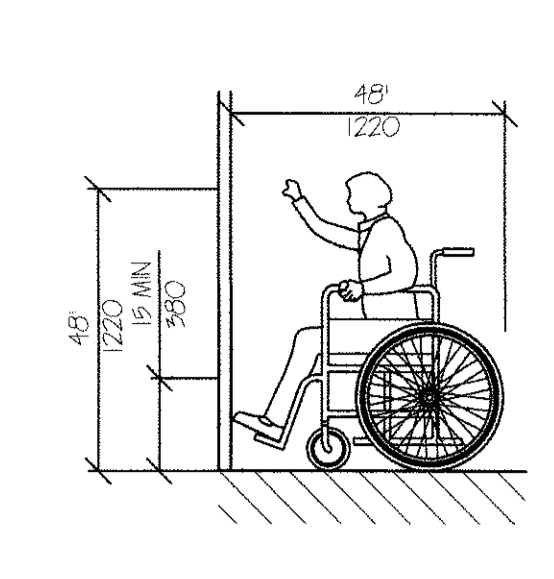
COPYRIGHT  
REPRODUCTION OR REVUE OF THIS  
DOCUMENT WITHOUT WRITTEN  
PERMISSION FROM GRANT HAYS  
ASSOCIATES IS PROHIBITED.



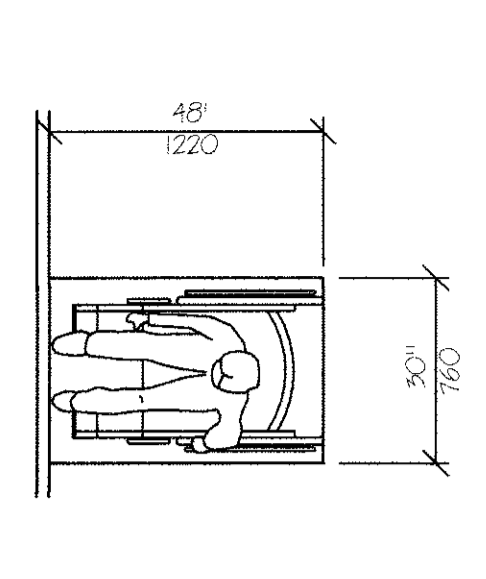
CLEAR FLOOR SPACE  
PARALLEL APPROACH  
NTS



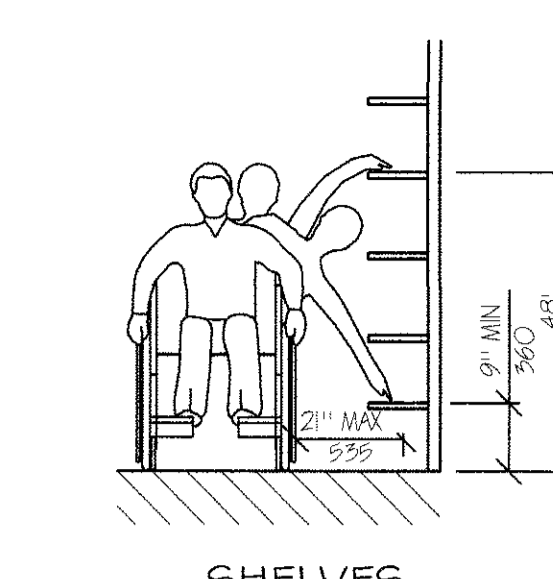
HIGH AND LOW  
SIDE REACH LIMITS  
NTS



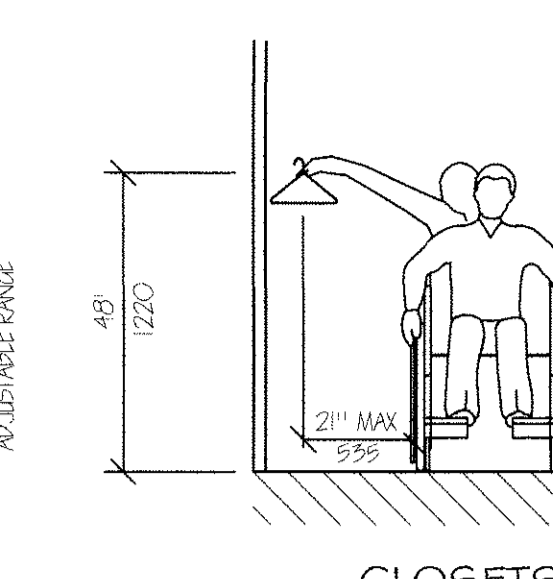
HIGH FORWARD REACH LIMIT  
NTS



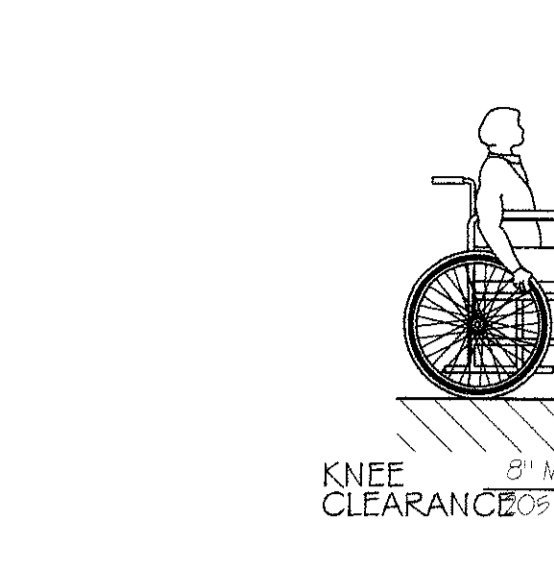
SHELVES  
STORAGE SHELVES AND CLOSETS  
NTS



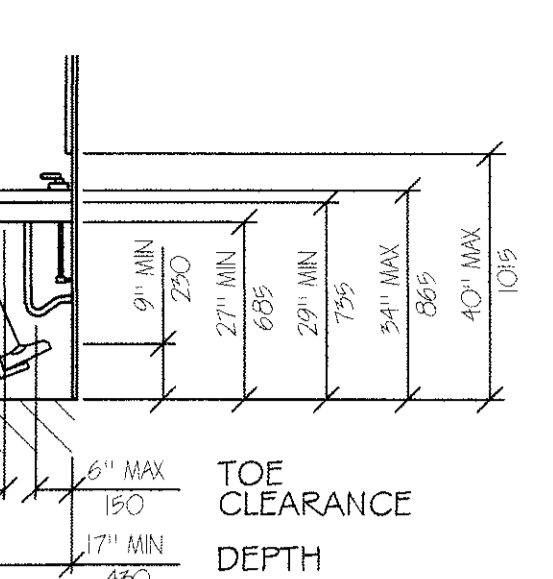
CLOSETS



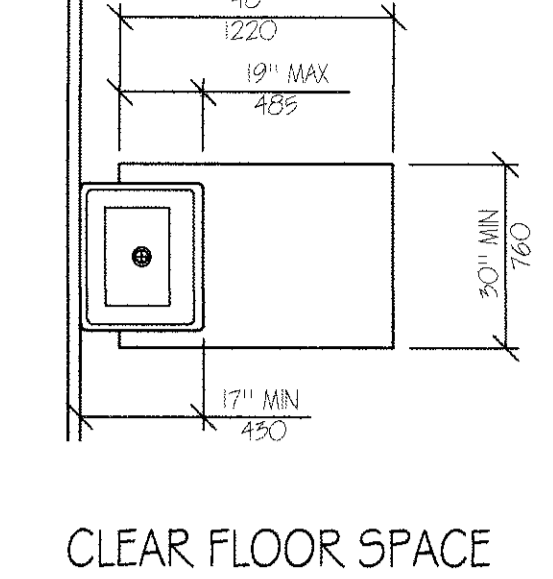
LAVATORY CLEARANCES  
NTS



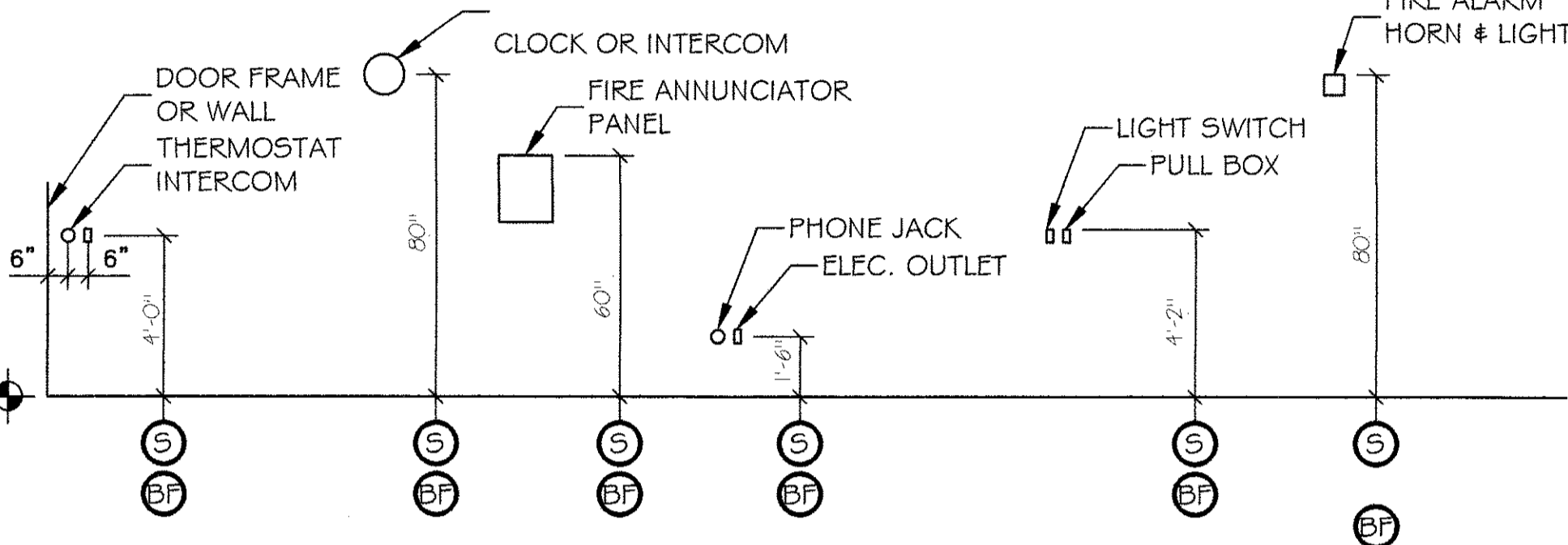
CLEAR FLOOR SPACE  
AT LAVATORIES  
NTS



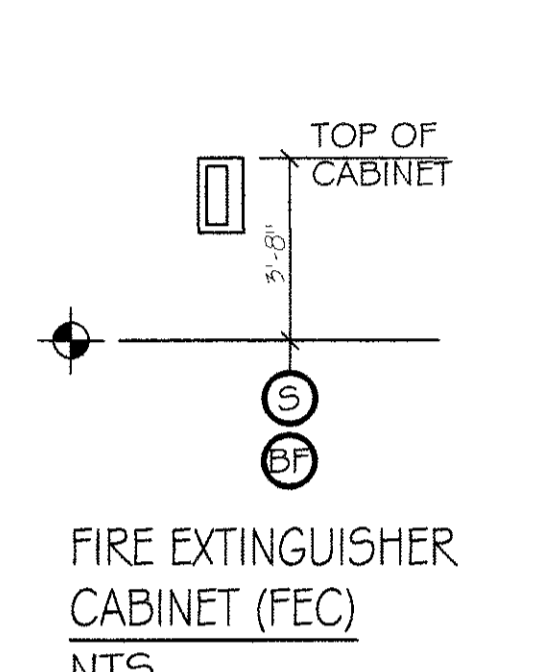
LAVATORY CLEARANCES  
NTS



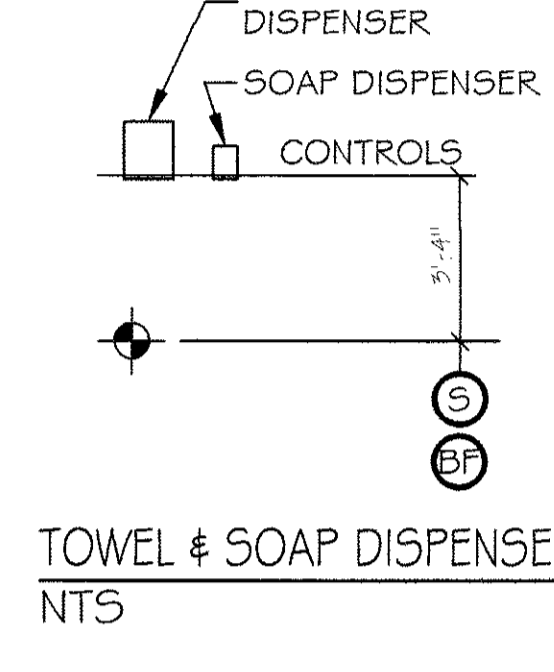
DRINKING FOUNTAIN  
NTS



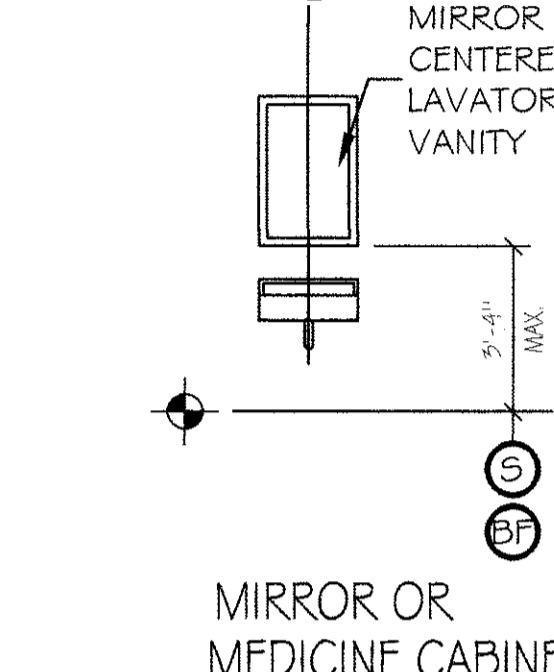
ELECTRICAL & FIRE PROTECTION DEVICES  
NTS  
(TYPICAL UNLESS OTHERWISE NOTED)



FIRE EXTINGUISHER  
CABINET (FEC)  
NTS



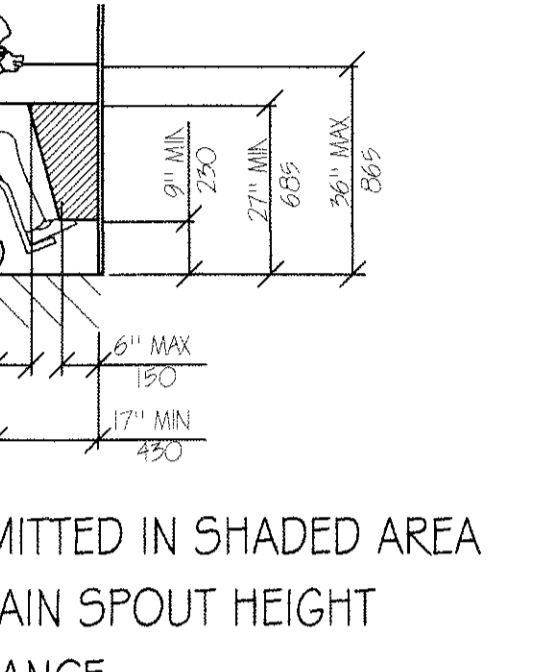
TOWEL & SOAP DISPENSERS  
NTS



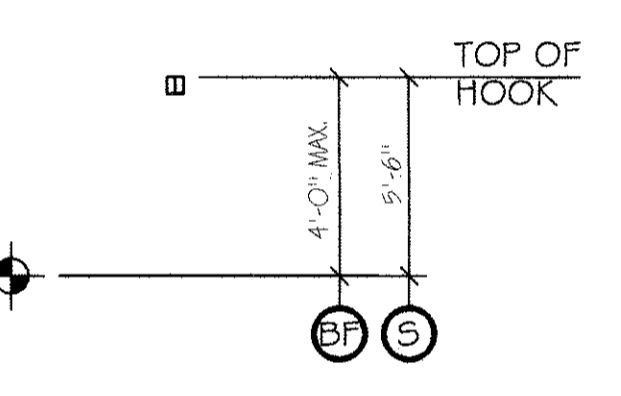
MIRROR OR  
MEDICINE CABINET  
NTS



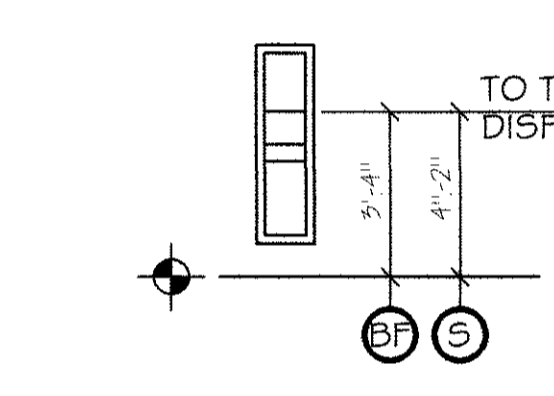
EQUIPMENT PERMITTED IN SHADED AREA  
DRINKING FOUNTAIN SPOUT HEIGHT  
AND KNEE CLEARANCE  
NTS



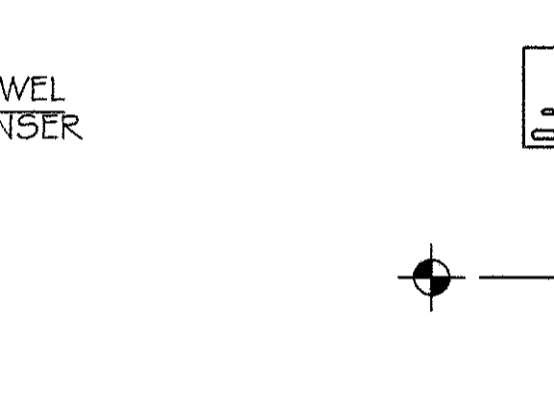
DRINKING FOUNTAIN  
NTS



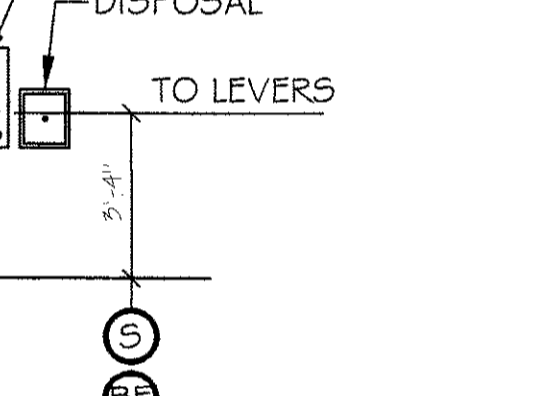
CLOTHES HOOK  
NTS



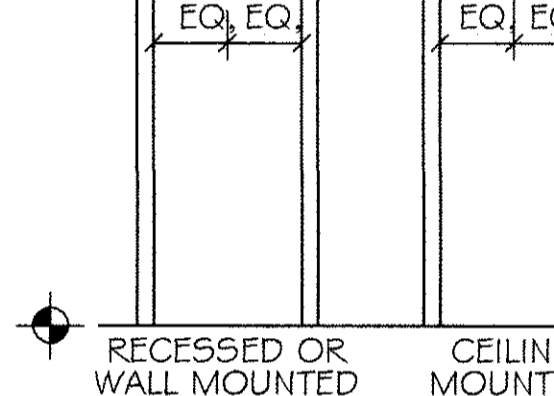
TOWEL DISPENSER  
DISPOSAL UNIT  
NTS



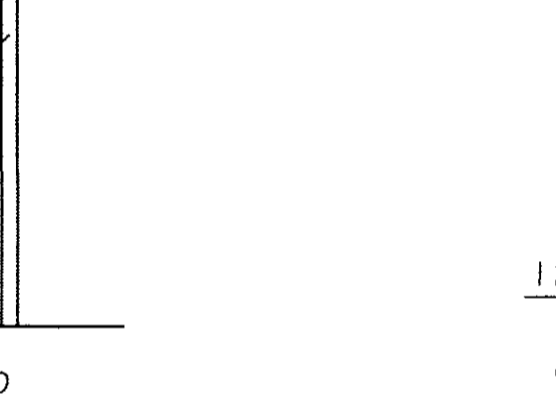
SANITARY DISPENSER &  
DISPOSAL UNIT  
NTS



EXIT SIGNS  
TYPICAL UNLESS OTHERWISE NOTED  
NTS  
(TYPICAL UNLESS OTHERWISE NOTED)



GRAB BARS AT WATER CLOSETS  
NTS



TYPICAL ACCESSORIES  
NTS

LEGEND

- ⊙ STANDARD MOUNTING HEIGHT
- ⊕ BARRIER FREE ADULT MOUNTING HEIGHT
- ⊖ FINISH FLOOR LINE

NOTE

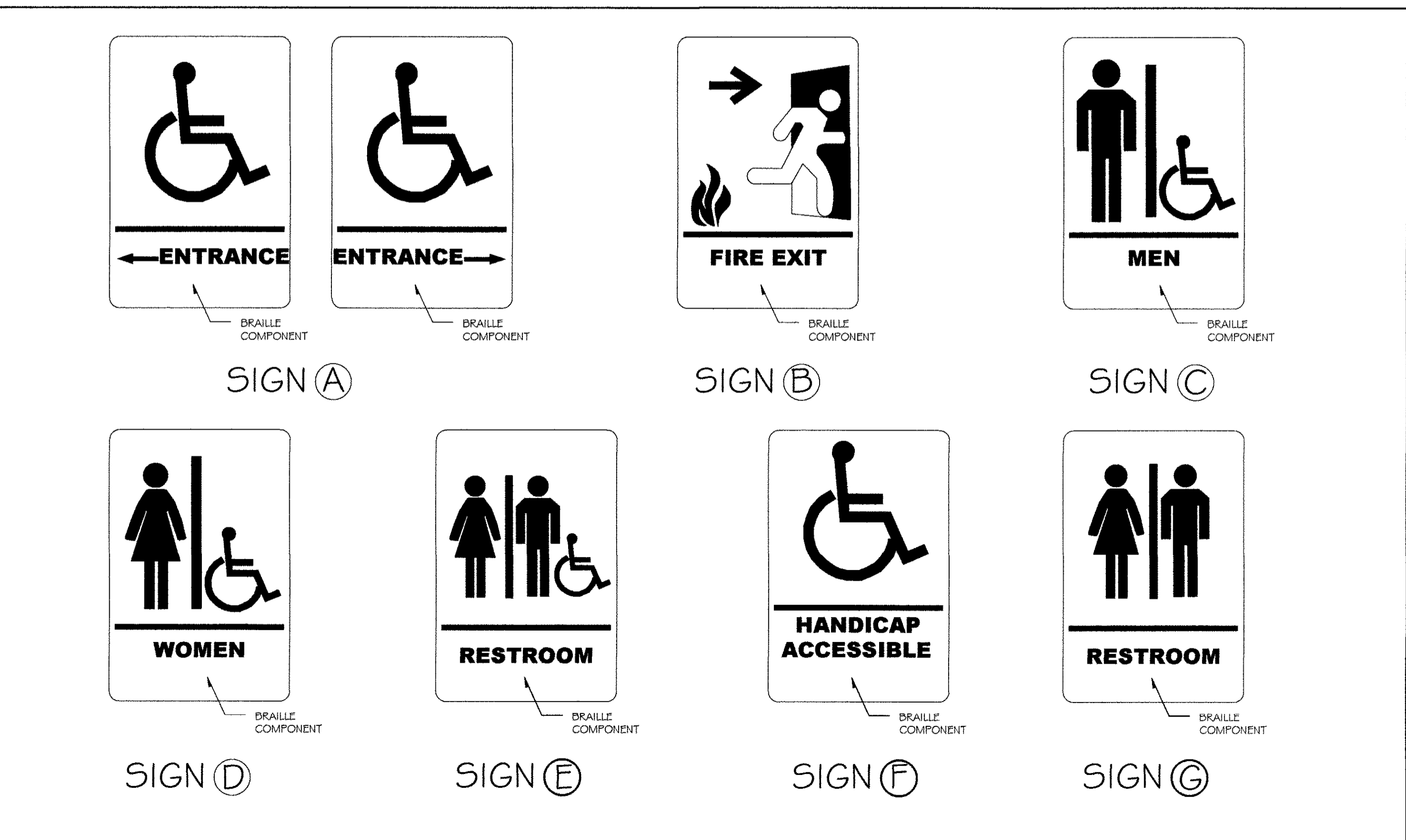
MOUNT ALL FIXTURES AT STANDARD MOUNTING HEIGHT UNLESS INDICATED ON PLAN BY A ⊕ SYMBOL. A ⊖ SYMBOL AT ANY ROOM SHALL INCLUDE ONE OF ANY FIXTURE AND ACCESSORY WITHIN THE ROOM.

ACCESSIBILITY ACCESSORY MOUNTING HEIGHTS

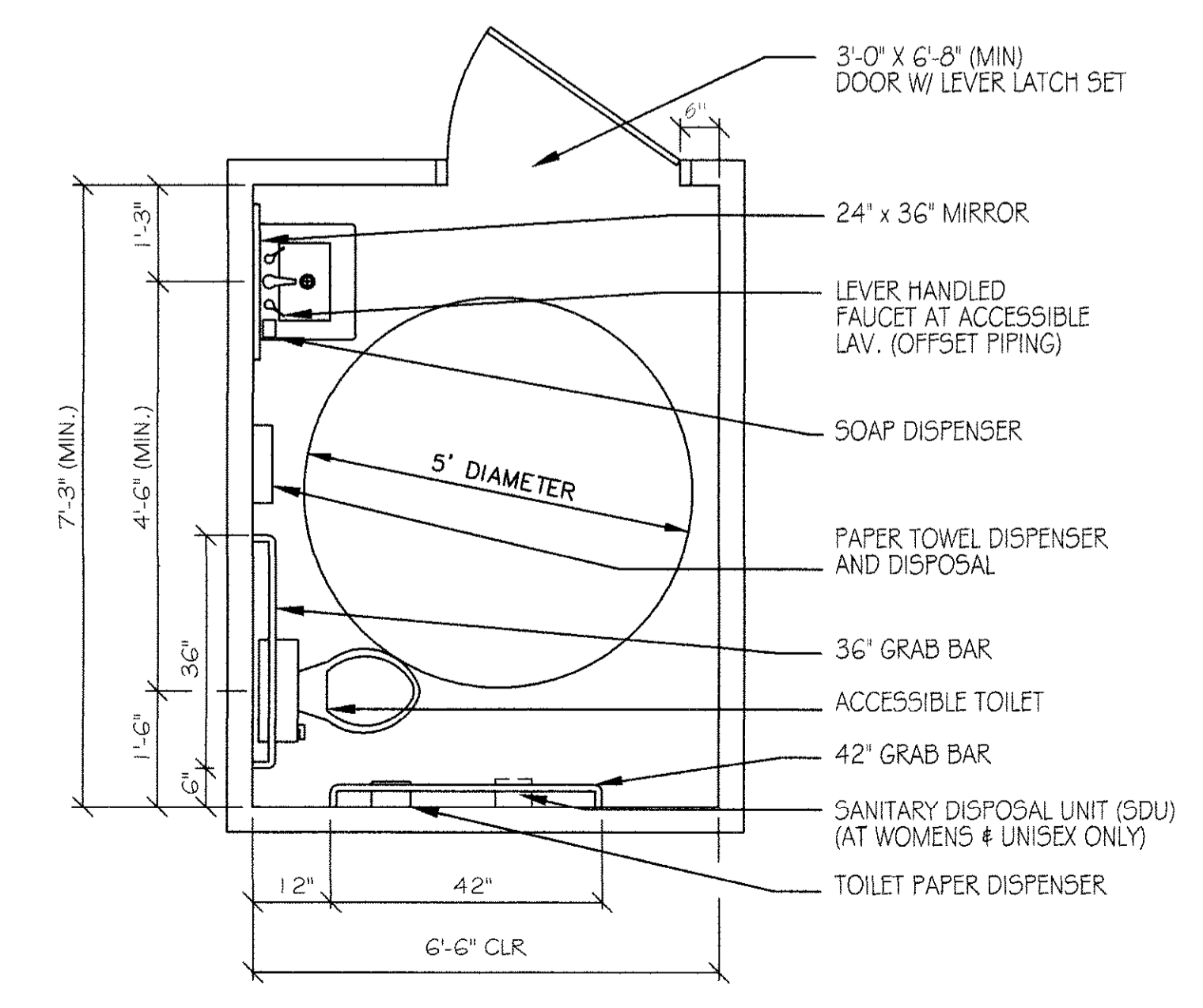
GRAB BARS	33"-36"
TOILET PAPER HOLDER	19" MIN
TOWEL BAR/PAPER TOWEL DISPENSER	48" MAX
BUILT IN PAPER TOWEL DISPENSER	48" MAX
SOAP DISH/DISPENSER AT WALL	48" MAX
SANITARY NAPKIN DISPOSAL	19" MAX
MIRROR (BOTTOM)	40" MAX
SHELVES/STORAGE	48" MAX
ELECTRICAL SWITCHES/OUTLETS	48" MAX
COAT HOOKS/RODS	48" MAX
SIGNAGE (TO BRAILLE COMPONENT)	60" MAX

ACCESSIBILITY GENERAL NOTES

- DOORWAYS SHALL HAVE A MINIMUM CLEAR WIDTH OF 32" WITH THE DOOR OPEN 90 DEGREES. MEASURED BETWEEN THE FACE OF THE DOOR AND THE OPPOSITE STOP.
- ALL DOORS SHALL HAVE LEVER HANDLE HARDWARE, EXCEPT AT SECURED STORAGE ROOMS, MECHANICAL ROOMS, AND ELEVATOR MACHINE ROOMS.
- ALL CLOSERS SHALL BE 5LB PULL MAXIMUM AT DOORS EQUIPPED WITH LEVER HANDLE HARDWARE.
- ALL DOORS WITH CLOSERS SHALL HAVE 18" CLEAR DISTANCE FROM THE LATCHSIDE OF THE OPENING TO ANY ADJACENT WALL OR OBSTRUCTION ON THE PULL SIDE OF THE OPENING.
- ALL DOORS WITH CLOSERS SHALL HAVE 12" CLEAR DISTANCE FROM THE LATCHSIDE OF THE OPENING TO ANY ADJACENT WALL OR OBSTRUCTION ON THE PUSH SIDE OF THE OPENING.
- ALL SIGNAGE SHALL BE MOUNTED 60" AFF TO BRAILLE COMPONENT AT LATCH-SIDE WALL OF DOORS AND OPENINGS.
- COMPLY WITH 2010 EDITION OF THE AMERICANS WITH DISABILITIES ACT.



ACCESSIBILITY SIGNAGE DETAILS NO SCALE



TYPICAL ACCESSORIES  
NTS