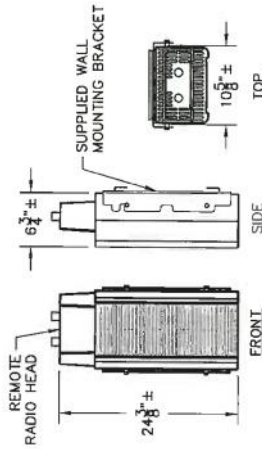


RRH/SECTOR BOX MOUNTING DETAIL

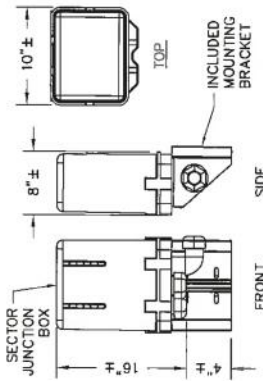
SCALE: NONE

- INSTALLATION NOTES:**
- INSTALL ALL EQUIPMENT, MOUNTING BRACKETS, AND HARDWARE IN ACCORDANCE WITH MANUFACTURER'S RECOMMENDATIONS.
 - GROUND DISTRIBUTION BOXES, MOUNTING PIPES, AND RRHs IN ACCORDANCE WITH MANUFACTURER'S RECOMMENDATIONS.



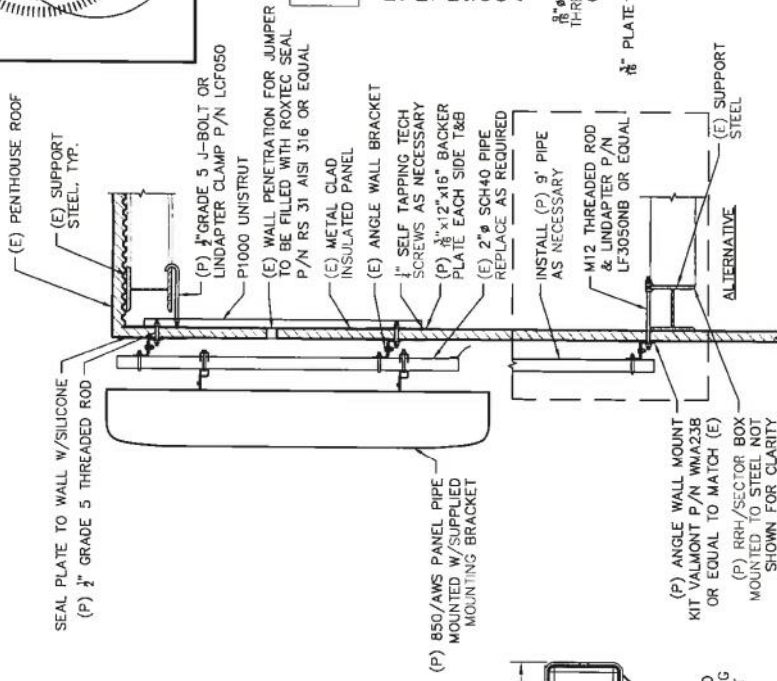
RRH DETAIL

SCALE: NONE



SECTOR JUNCTION BOX DETAIL

SCALE: NONE

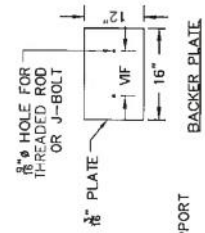


(P) PIPE MOUNTED ANTENNA AT WALL VERTICAL SECTION

SCALE: 1"=2' (11x17)

PAINT EQUIPMENT ON EXTERIOR FACE TO MATCH (E) BUILDING

NOTE: CONTRACTOR TO VERIFY IN FIELD ALL DIMENSIONS. IF UNABLE TO INSTALL PRIMARY TOP SUPPORT OPTION TO SUPPORT STEEL AT CEILING DUE TO FIELD CONDITIONS REFER TO ALTERNATIVE



 1 Short Street Suite 3 Northampton, MA 01060 Ph: (413)320-4918 Fax: (413)320-4917	 400 FIBERIC PARKWAY WESTBOROUGH, MA 01581	PORTLAND JETPORT ME 1001 WESTBROOK STREET PORTLAND, ME 04102	DESIGNED BY: JMM/TEJ	JOB #: 12-048	
			DRAWN BY:	JEB	REV. #: 0
			DATE:	5/1/13	S-1
			SHEET:	3 OF 3	