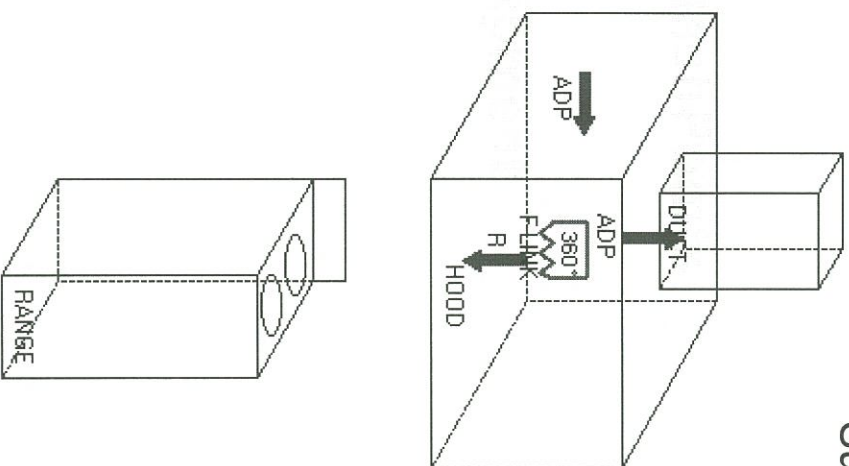
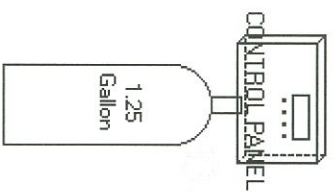


Range Guard Wet Chemical Systems Pre-Engineered Fire Suppression System



Designed & Installed by:
Firesafe Equipment
PO Box 1355
Auburn, ME 04211
207-784-7525

For:
PORTLAND JETPORT

Lic #:

Designer:

Job #:

Date: 11/10/2014

Stamp