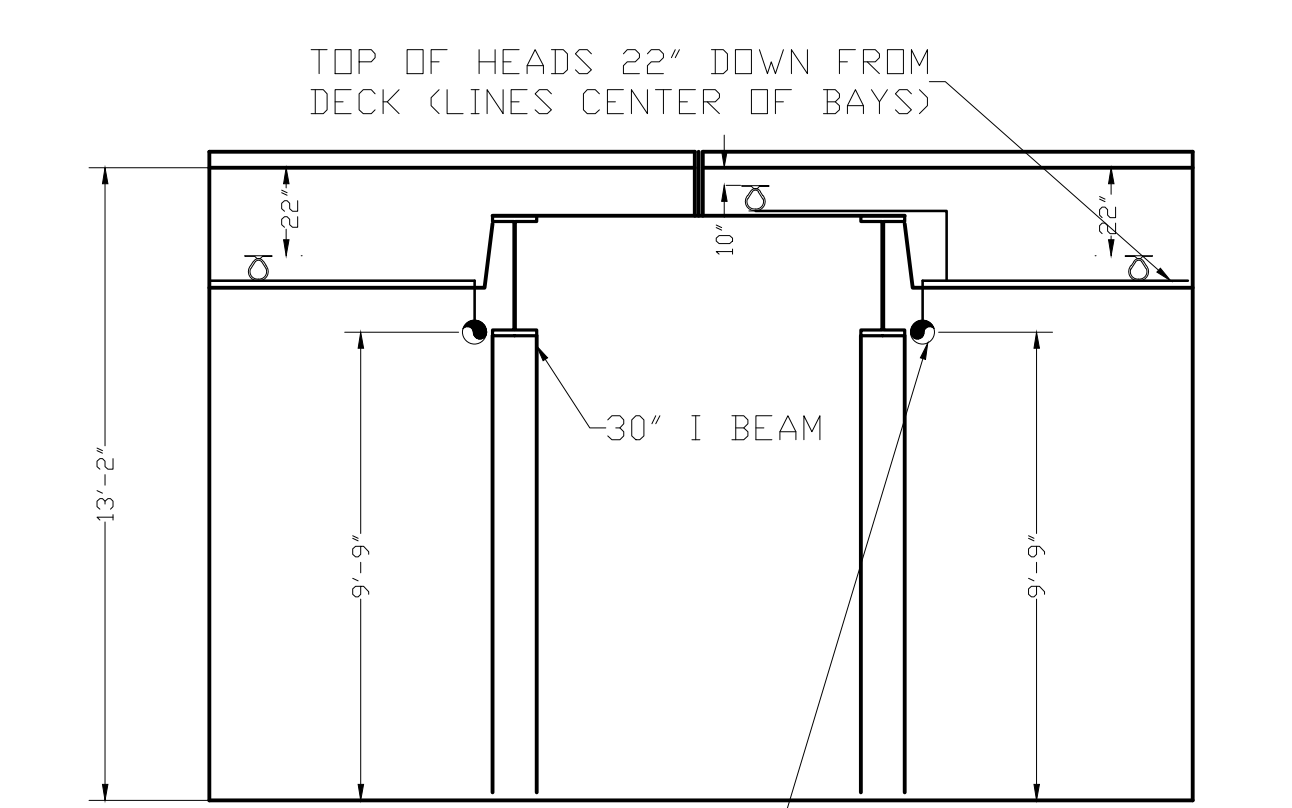
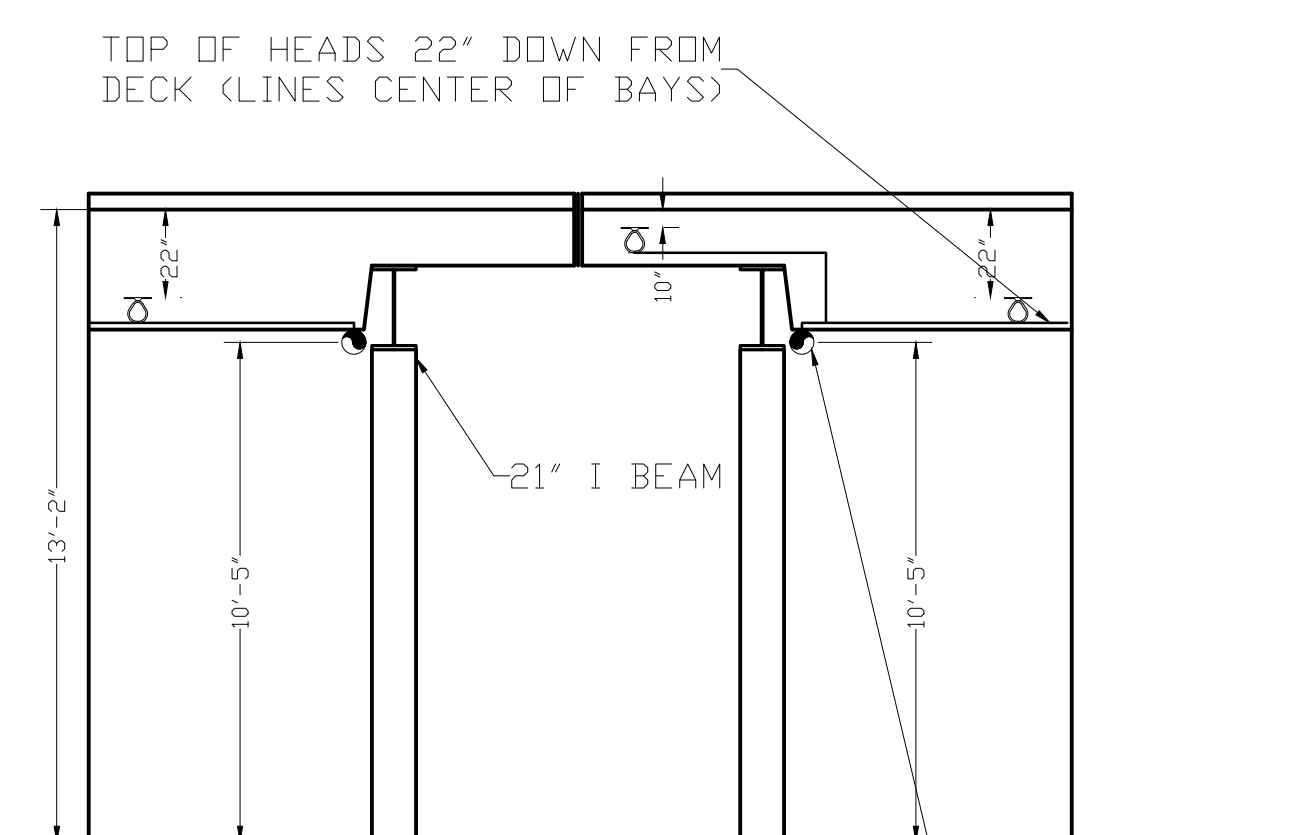


BUILDING SECTION
SCALE: 1/4" = 1'-0"



SECTION "B"
SCALE: 1/4" = 1'-0"



SECTION "C"
SCALE: 1/4" = 1'-0"

DEAN & ALLYN, INC.
FIRE PROTECTION • SPECIAL HAZARD
PO BOX 709, GRAY, MAINE 04039
(207)657-5646 FAX:(207)657-5647

APPROVED BY		DATE	SURVEYED BY	SEC 11/25/13	JOB#	DANA A. STEWART NICET IV - #064544	DRAWING TITLE: PJP GARAGE REPIPE ZONES 1&2	REV. 0
DRAWN BY		DATE	SEC 12/01/13					
CHECKED BY		DATE	AT DEAN & ALLYN, INC				Portland Jetport 2013 Parking Garage RePipe Portland Maine	SUB. OF SPRINKLERS XXX
SCALE 1/8"=1'-0" U/N							387	NO. OF SPRINKLERS ON JOB
SHEET NO. 2 OF 2								CONTRACT NO. XXX
SUBMIT FOR APPROVAL		DATE					CONTRACT WITH: Owner	C131180