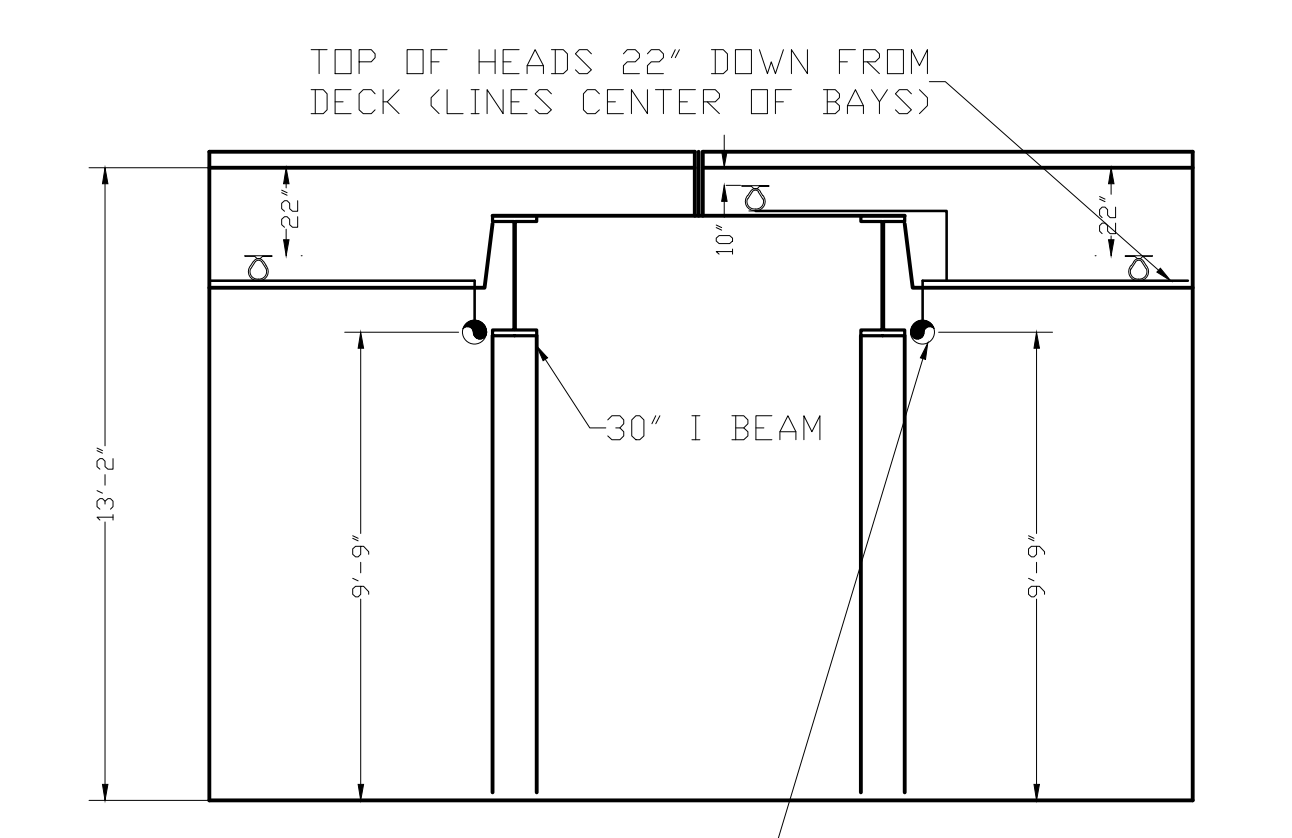
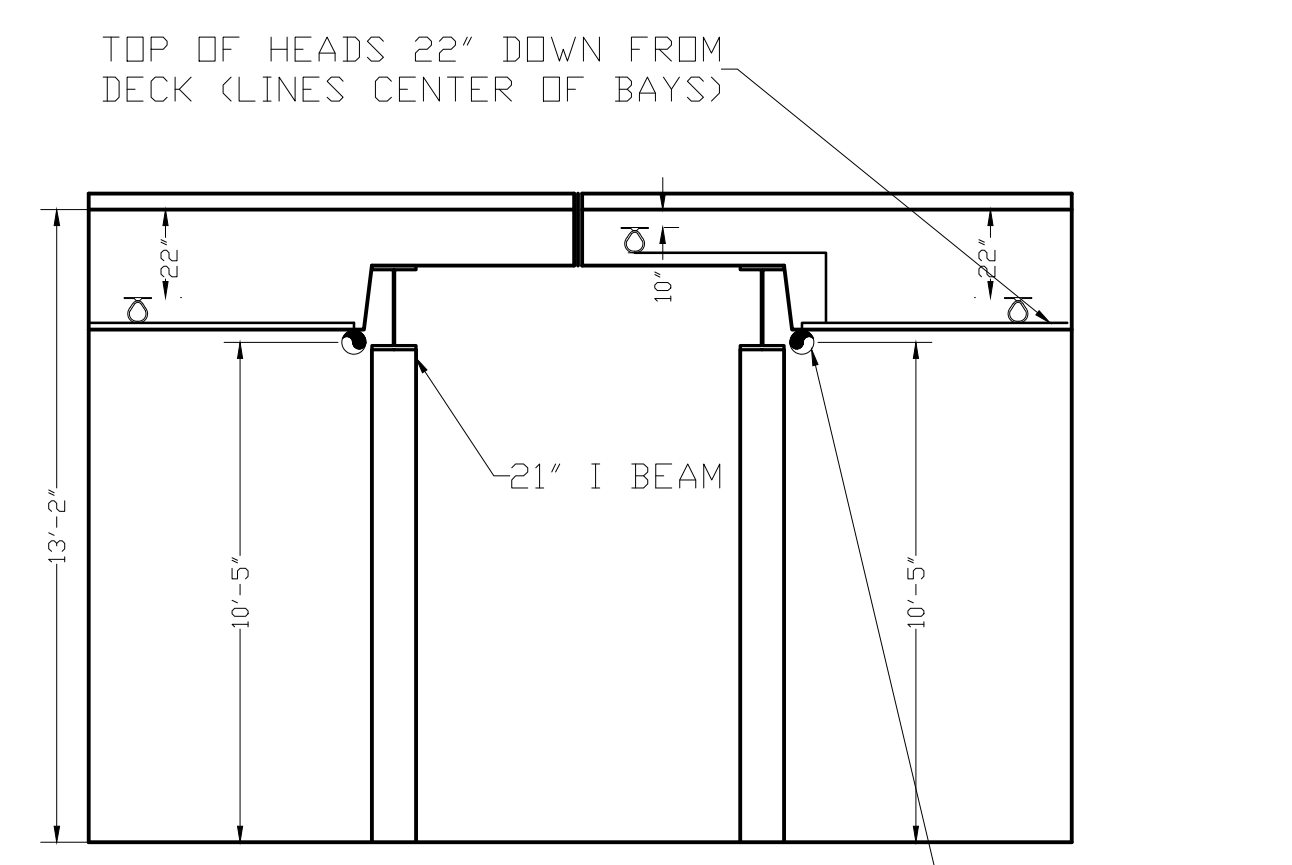


BUILDING SECTION
SCALE: 1/4" = 1'-0"



SECTION "B"
SCALE: 1/4" = 1'-0"



SECTION "C"
SCALE: 1/4" = 1'-0"

DEAN & ALLYN, INC.
FIRE PROTECTION - SPECIAL HAZARD
PO BOX 709, GRAY, MAINE 04039
(207)657-5646 FAX:(207)657-5647

		DANA A. STEWART NICET IV - #064544		DRAWING TITLE: PJP GARAGE REPIPE ZONES 1&2 JOB:		REV. 0	
APPROVED BY	DATE	SURVEYED BY	SEC 11/25/13	PORTLAND JETPORT 2013 Parking Garage RePipe Portland Maine		NO. OF SPRINKLERS SHOWN ON THIS SHEET XXX	
		DRAWN BY	SEC 12/01/13			NO. OF SPRINKLERS ON JOB 387	
		CHECKED BY	DAS			CONTRACT WITH: Owner XXX	
		AT DEAN & ALLYN, INC				CONTRACT NO. C131180	
		SCALE 1/8"=1'-0" U/N					
		SHEET NO. 2 OF 2					
SUBMIT FOR APPROVAL		DATE					
REVISIONS		DATE					