

TrueAlert™ ADDRESSABLE (STYLE 4) SPEAKER/VISIBLE NOTIFICATION APPLIANCES 4906 SERIES

PRODUCT INFORMATION

FEATURES:

- AUDIBLE NOTIFICATION APPLIANCE (SPEAKER)
- HIGH QUALITY VOICE AND TONE REPRODUCTION WITH TAPS FOR 1/4, 1/2, 1W, OR 2W AT 25 OR 70.7 VRMS
- UL LISTED TO STANDARD 1480
- SPEAKERS ARE WIRED SEPARATELY FROM TRUEALERT STROBE WIRING

TrueAlert VISIBLE NOTIFICATION APPLIANCE (STROBE)

- XENON STROBE OUTPUT IS MANUALLY SELECTABLE FOR 15, 30, 75, 110 CANDELA OR "TACP". THE "TACP" SETTING ALLOWS THE 4100 TO PROGRAM THE CANDELA SETTING.
- UL LISTED TO STANDARD 1971
- SUPERVISION OF EACH INDIVIDUAL STROBE'S WIRING AND CONNECTIONS WITH ACTIVATION AT A SYNCHRONIZED 1 Hz FLASH RATE
- MAGNETIC TEST DIAGNOSTICS TO ASSIST CHECKOUT AND TESTING OF TRUEALERT STROBE AND WIRING
- RUGGED, HIGH IMPACT, FLAME RETARDANT THERMOPLASTIC HOUSING AVAILABLE IN RED OR WHITE (COVERS ARE AVAILABLE SEPARATELY TO CONVERT COLORS)
- LED INDICATOR CAN BE SELECTED TO DISPLAY EACH POLLING CYCLE TO INDICATE APPLIANCE SUPERVISION
- WHEN THE TRUEALERT CONTROLLER IS IN DIAGNOSTIC MODE, THE MAGNETIC TEST PULSES THE LED TO INDICATE APPLIANCE ADDRESS AND IS SELECTABLE TO ALSO BRIEFLY FLASH THE STROBE TO CONFIRM OPERATION

GENERAL SPECIFICATIONS:

- DIMENSIONS (INCLUDING LENS) : 7 1/4" (184mm) H X 5" (127mm) W X 2 5/8" (67mm) D
- TEMPERATURE RANGE: 32° F TO 122° F (0° TO 50° C)
- HUMIDITY RANGE: 10% TO 93% NON-CONDENSING AT 100° F (38° C)
- DEPTH INTO BOX: 2 1/2" (64mm)
- SPEAKER TAP SELECTION: SINGLE JUMPER WIRE WITH PRESSURE CONNECTOR ATTACHES TO ONE OF 8 TERMINALS
- CONNECTIONS: TERMINALS FOR 18 TO 12 AWG, SEPARATE TERMINALS FOR VISIBLE LENS MOUNTING HEIGHT TO MEET "ADA" 80" MINIMUM, THE 4" SQUARE BACKBOX IS TO BE INSTALLED AT A HEIGHT OF 82" FROM THE FLOOR TO THE BOTTOM OF THE BOX.

STROBE

- RATED VOLTAGE: 17 TO 31 VRMS
- SUPERVISORY REQUIREMENTS: 1 UNIT LOAD
- STROBE FLASH RATE: 1Hz
- SYNCHRONIZED SLC LOADING: UP TO 43 TrueAlert ADDRESSABLE SYNCHRONIZED STROBES MAXIMUM PER SLC

***CURRENT DRAWS REFLECT STROBE FLASHING**

MODEL NUMBER	HOUSING COLOR	LETTERING	15cd	30cd	75cd	110cd
4906-9251	RED	WHITE	0.083	0.114	0.205	0.226
4906-9253	WHITE	RED	0.083	0.114	0.205	0.226

SPEAKER

- INPUT VOLTAGE: 25 OR 70.7 VRMS, SEE NOTE 4
- POWER TAPS: 1/4, 1/2, 1W, AND 2W
- FREQUENCY RESPONSE: FIRE ALARM: 400 TO 4000 Hz

TrueAlert SPEAKER JUMPER SETTINGS

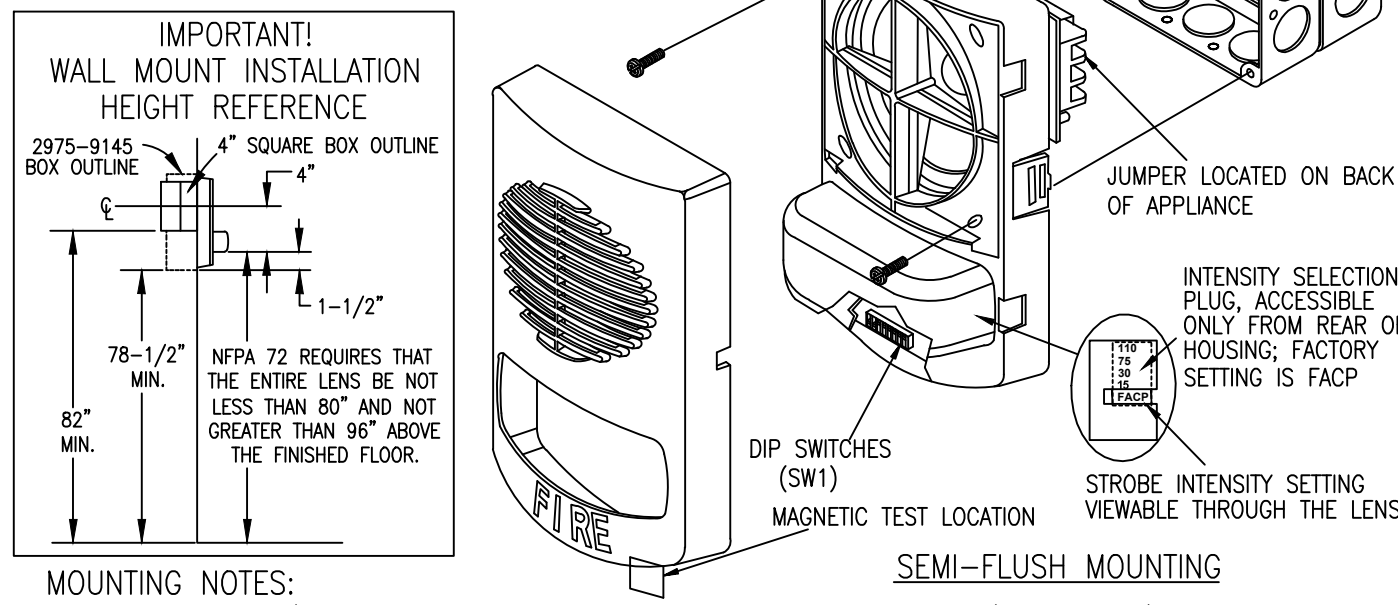
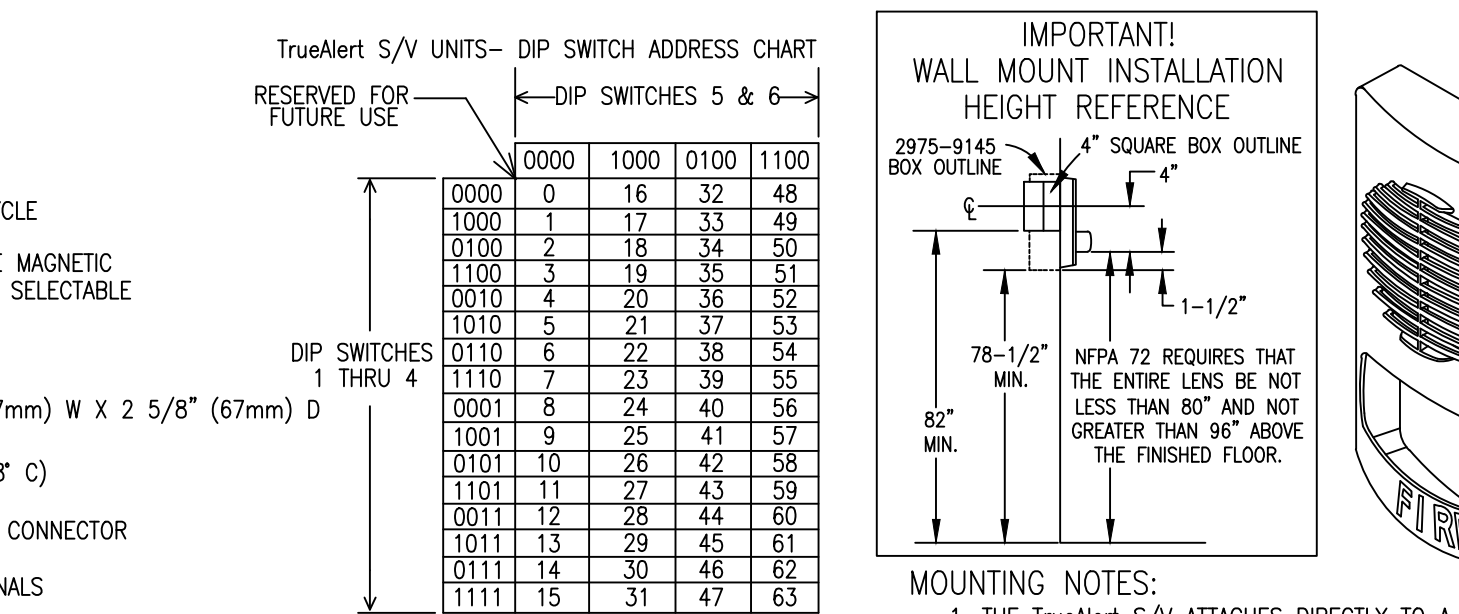
JUMPER POSITION	VOLTAGE	WATTAGE SETTING
J1 TO TAP A	70.7VRMS	1/4
J1 TO TAP B		1/2
J1 TO TAP C		2
J1 TO TAP D		1/4
J1 TO TAP E	25VRMS	1/2
J1 TO TAP F		1
J1 TO TAP G		2

GENERAL SIGNALING: 125 TO 12 Hz

SPEAKER OUTPUT RATINGS (dBA @ 10 FT. (3m))	1/4W	1/2W	1W	2W
- WATTAGE TAP (25 VRMS OR 70.7 VRMS INPUT)	76	79	82	85
- REVERBERANT CHAMBER, UL 1480 TEST	87	90	93	96
- ANECHOIC CHAMBER, ON-AXIS, 1kHz INPUT				

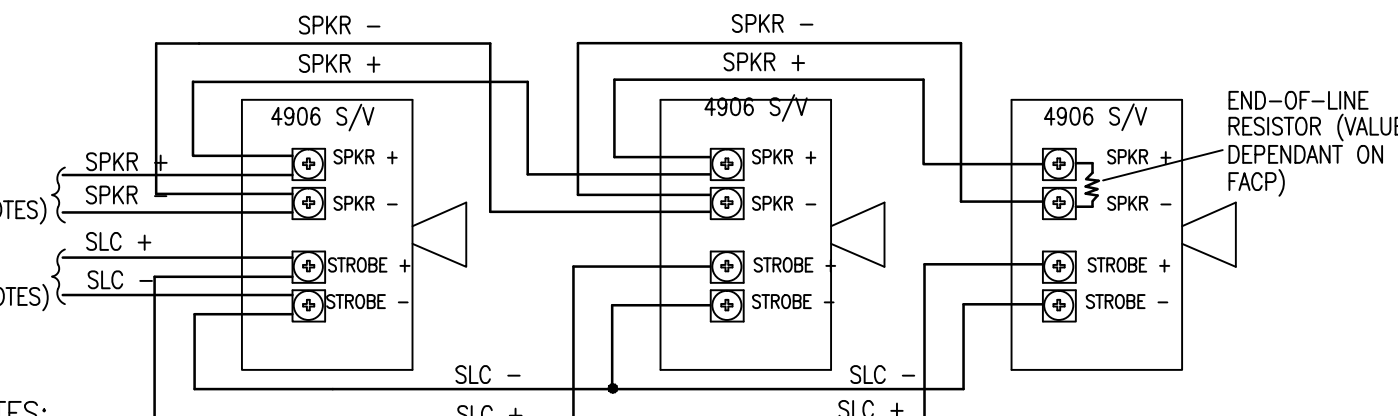
UL STANDARD 1480 SPEAKER OUTPUT RATING CATEGORIES ARE BASED UPON 3 dBA INCREMENTS.
SPEAKERS ARE NOT ADDRESSABLE AND ARE FOR CONNECTION TO CONVENTIONAL FIRE ALARM AUDIO CIRCUITS.

MODEL NUMBER	MOUNTING ADAPTERS AND BOXES	REQUIREMENTS	DIMENSIONS
4905-9946	SURFACE MOUNT RED ADAPTER SKIRT	REQUIRED WHEN MOUNTING TO SURFACE MOUNTED ELECTRICAL BOX	7 3/4" H X 5 3/8" W X 3 3/16" D (197 mm X 137 mm X 81 mm)
4905-9947	SURFACE MOUNT WHITE ADAPTER SKIRT	4" SQUARE, 1 1/2" DEEP WITH 1 1/2" DEEP EXTENSION	DEPTH WITH S/V=5 7/8" (149mm)
4905-9903	ADAPTER PLATE, RED, REQUIRED TO MOUNT S/V ON 2975-9145		8 5/16" H X 5 3/4" W X 0.060" THICK (211 mm X 146 mm X 1.5 mm)
2975-9145	MOUNTING BOX, RED FOR SURFACE OR FLUSH MOUNT REQUIRES ADAPTER PLATE 4905-9903 (THIS BOX MAY BE AVAILABLE FOR RETROFIT APPLICATIONS)		7 7/8" H X 5 1/8" W X 2 3/4" D (200 mm X 130 mm X 70 mm)



MOUNTING NOTES:

1. THE TrueAlert S/V ATTACHES DIRECTLY TO A STANDARD 4-INCH ELECTRICAL BOX (NOT SUPPLIED), FLUSH MOUNTED OR SURFACE MOUNTED.
2. THERE ARE FOUR HOLES FOR 4-INCH SQUARE ELECTRICAL BOX MOUNTING. SECURE THE HOUSING TO THE BOX USING TWO MOUNTING SCREWS. THE TWO MOUNTING SCREWS ARE PLACED CROSS CORNER (OPPOSITE TOP AND BOTTOM HOLES)
3. TO REMOVE THE COVER, PRESS THE SNAP RELEASE IN (ONE AT A TIME) WITH A FLAT TIP SCREWDRIVER WHILE PULLING UP THE COVER WITH THE OTHER HAND. ADDRESS SWITCH (SW1 IS ACCESSIBLE WITH THE COVER REMOVED).

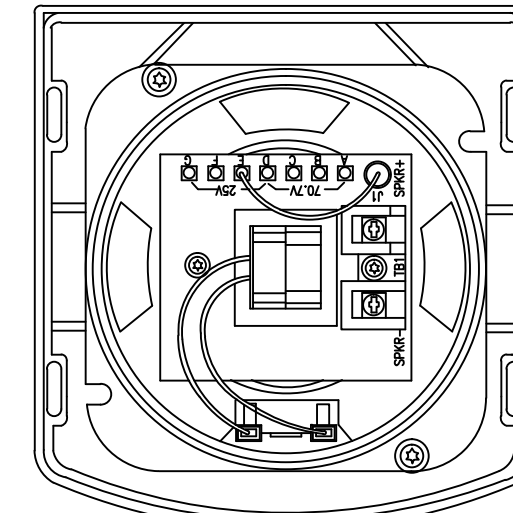


TrueAlert™ (STYLE Y) SPEAKER NOTIFICATION APPLIANCES 4902 SERIES

PRODUCT INFORMATION

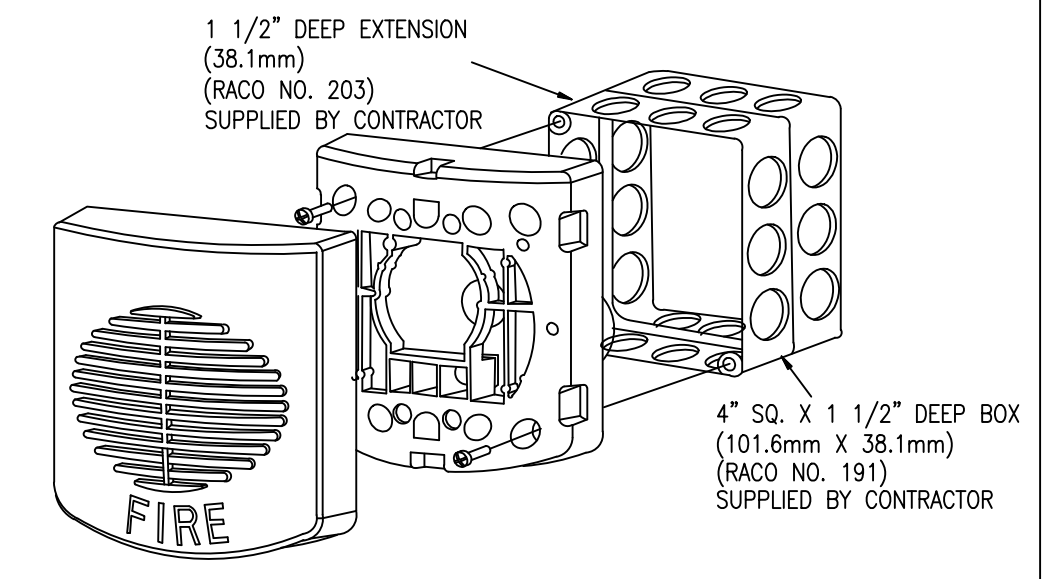
FEATURES:

- FIRE ALARM SPEAKERS WITH MODELS FOR WALL MOUNTING
- UL LISTED TO STANDARD 1480
- UL LISTED MODELS (CA SUFFIX FOLLOWING THE MODEL NUMBER)
- FOUR INCH CONE (102mm) PROVIDES HIGH QUALITY TONE AND VOICE REPRODUCTION
- MULTI-TAPPED DESIGN PROVIDES OUTPUT POWER OF 1/4, 1/2, 1, 2 W WITH EITHER 25 OR 70.7 VRMS INPUT
- IN/OUT WIRING TERMINALS FOR 18 AWG TO 12 AWG
- MOUNTS TO 4" SQUARE OUTLET BOX, 1 1/2" DEEP WITH 1 1/2" DEEP BOX EXTENSION
- CAPACITOR INPUT FOR CONNECTION TO SUPERVISED NOTIFICATION APPLIANCE CIRCUIT
- RUGGED, HIGH IMPACT, FLAME RETARDANT THERMOPLASTIC HOUSING
- APPEARANCE THAT COMPLEMENTS TRUEALERT STROBES AND SPEAKER/STROBES
- RED OR WHITE HOUSING WITH "FIRE" LETTERING
- SURFACE OR SEMI-FLUSH WALL MOUNT
- OPTIONAL MATCHING ADAPTER SKIRTS FOR COVERING SURFACE MOUNTED ELECTRICAL BOXES



TrueAlert SPEAKER JUMPER SETTINGS

JUMPER POSITION	VOLTAGE	WATTAGE SETTING
J1 TO TAP A	70.7VRMS	1/4
J1 TO TAP B		1/2
J1 TO TAP C		2
J1 TO TAP D		1/4
J1 TO TAP E	25VRMS	1/2
J1 TO TAP F		1
J1 TO TAP G		2



SPECIFICATIONS:

- DEPTH INTO BOX: 2 3/4" (70 MM)
- INPUT VOLTAGE: 25 OR 70.7 VRMS
- POWER TAPS: 1/4, 1/2, 1 AND 2W
- INPUT TERMINAL RATINGS: 18 TO 12 AWG
- FREQUENCY (FIRE ALARM): 400 TO 4000 Hz
- RESPONSE (GENERAL SIGNALING): 125 TO 12 K Hz
- TEMPERATURE RANGE: 32° TO 100° F (0° TO 38° C)
- HUMIDITY RANGE: 10% TO 95% RH FROM 32° TO 122° F (0° TO 50° C)

SOUND OUTPUT RATINGS @ 10 FT. (3m)

MODEL	SELECTED TAP	1/4W	1/2W	1W	2W
4902-9716(CA)	REVERBERANT CHAMBER, UL 1480 TEST	78 dBA	81 dBA	84 dBA	87 dBA
4902-9717(CA)	ANECHOIC CHAMBER, ON-AXIS, 1kHz INPUT	87 dBA	90 dBA	93 dBA	96 dBA

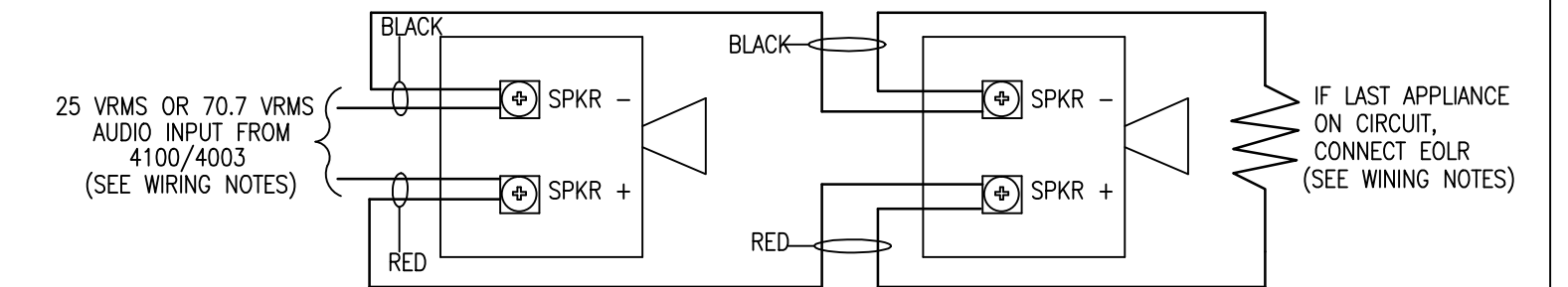
NOTE: UL LISTED MODELS ARE DESIGNATED WITH A "CA" SUFFIX.

MODEL NUMBER	DESCRIPTION	DIMENSIONS
4902-9716(CA)	RECTANGULAR HOUSING, WALL MOUNT SPEAKER	RED WITH WHITE "FIRE" LETTERING WHITE WITH RED "FIRE" LETTERING 5 1/8" H X 5" W X 1 1/2" D (130 mm X 127 mm X 38 mm)

MODEL NUMBER	DESCRIPTION	DIMENSIONS
4905-9941	SURFACE MOUNT ADAPTER SKIRTS (DEEP)	RED USE TO COVER SURFACE MOUNTED WHITE 1 1/2" DEEP WITH 1 1/2" DEEP EXTENSION. TOTAL SURFACE DEPTH WITH SPEAKER = 4 5/8" (117 mm)

COVERS (FOR REPLACEMENT OR COLOR CONVERSION)

MODEL NUMBER	DESCRIPTION	DIMENSIONS
4905-9988	RED SPEAKER COVER WITH WHITE "FIRE" LETTERING	5 1/8" H X 5" W X 1 1/2" D (130 mm X 127 mm X 38 mm)
4905-9989	WHITE SPEAKER COVER WITH RED "FIRE" LETTERING	



tyco
SimplexGrinnell

NO.	DATE	REVISION DESCRIPTION

FIRE ALARM SYSTEM
DEVICE WIRING DETAILS
TSA PORTLAND INTERNATIONAL JETPORT
1001 WESTBROOK STREET
PORTLAND, ME.

DRAWN BY: STEPHENS DATE: 4/23/13
CHECKED BY: KALAFARSKI DATE: 5/3/13
PROJECT NUMBER: 969922101
SHEET TITLE: FIRE ALARM SYSTEM DEVICE WIRING DETAILS
SHEET NUMBER: FA-702
FA-702.dwg