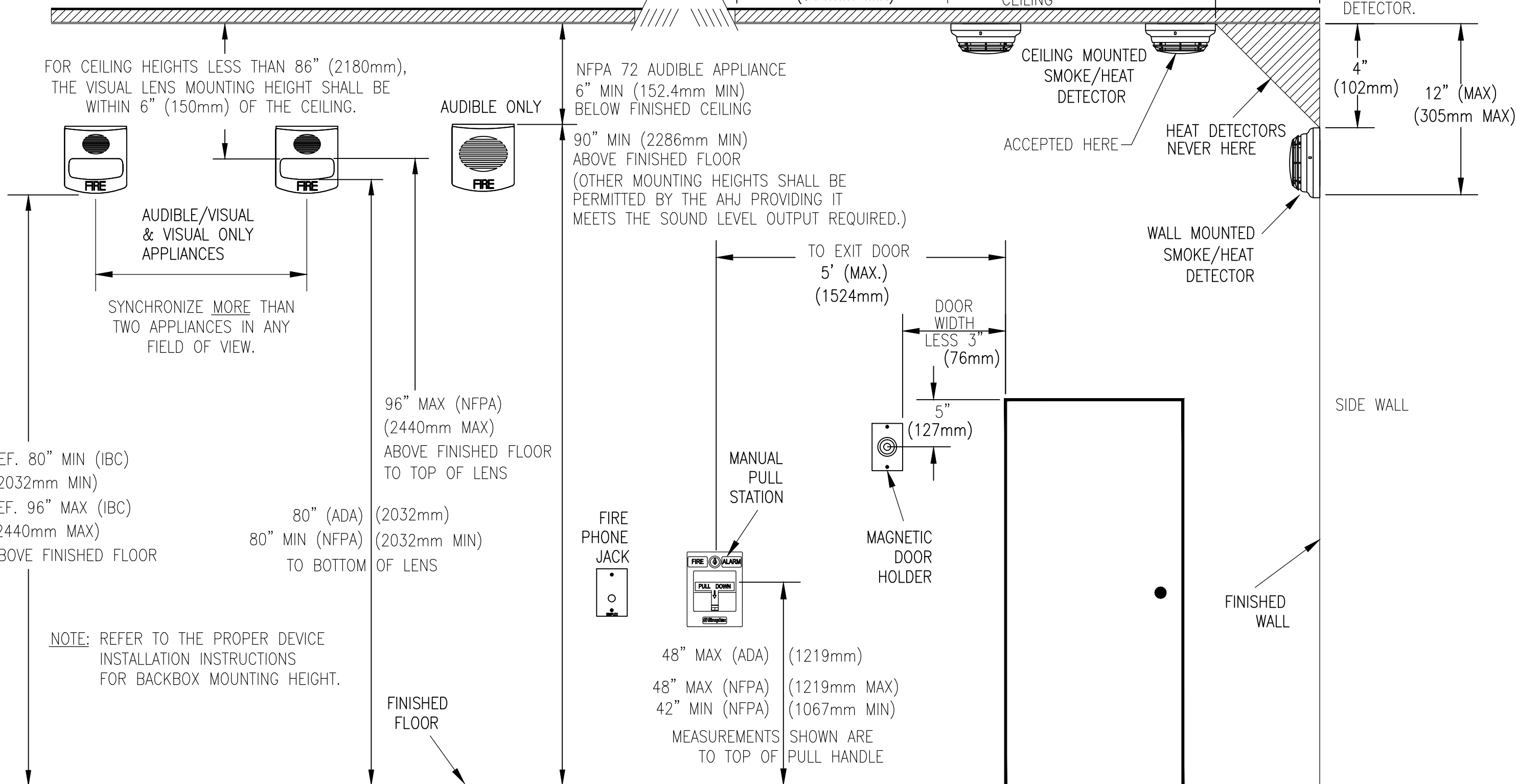


DEVICE MOUNTING HEIGHT REFERENCE (PER NFPA 72)

- VISUAL APPLIANCE MOUNTING HEIGHT CONSIDERATIONS IN SLEEPING ROOMS**
1. MIN DISTANCE IN SLEEPING ROOMS IS 24" (610mm) FROM CEILING TO TOP OF LENS FOR 110CD STROBES WITHIN 16' OF THE PILLOW
 2. 177CD STROBES, USED IN SLEEPING ROOMS, CAN BE WITHIN THE 24" (610mm) MINIMUM DISTANCE FROM THE CEILING. THE HIGHER INTENSITY IS TO COMPENSATE FOR A POSSIBLE SMOKE LAYER.



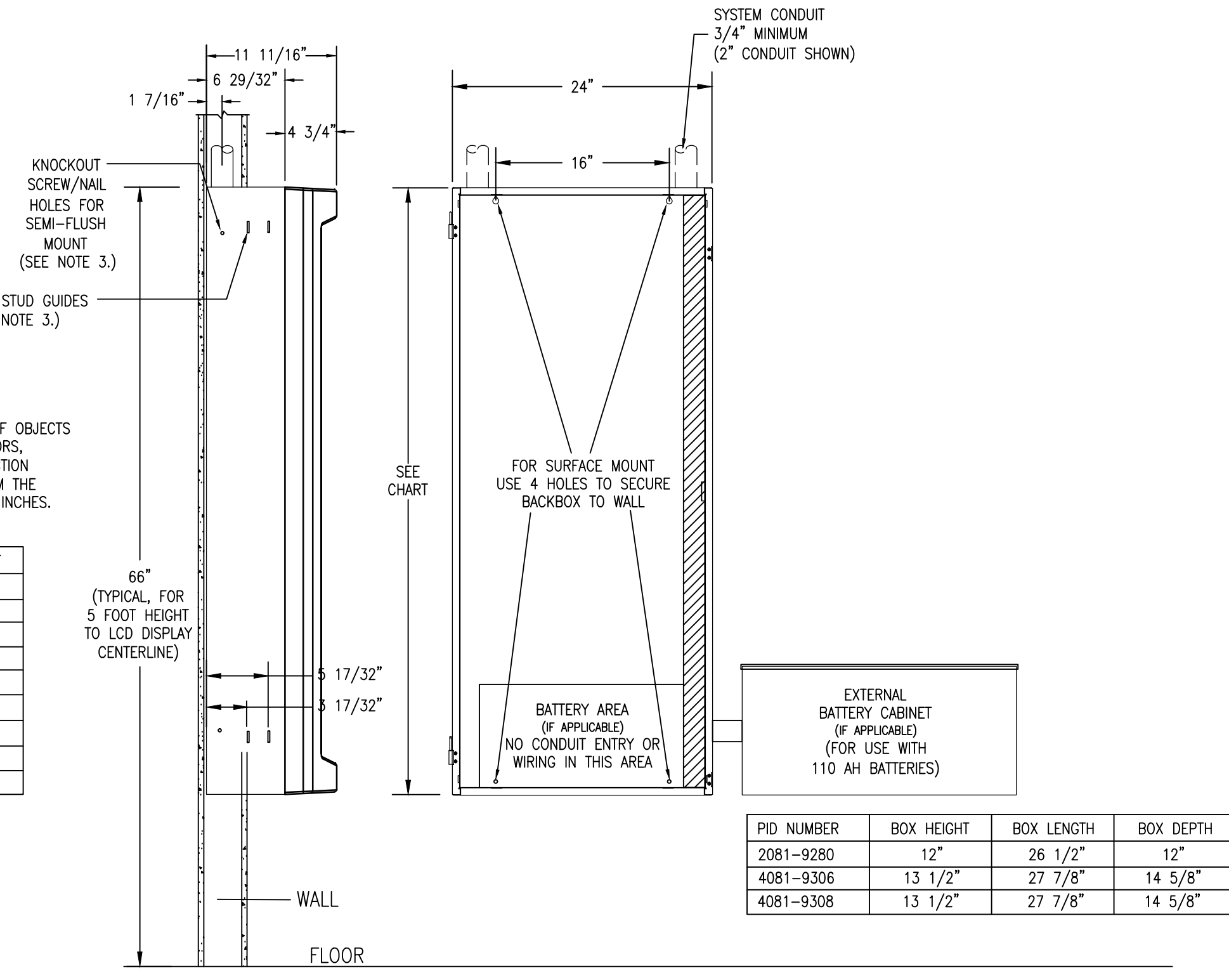
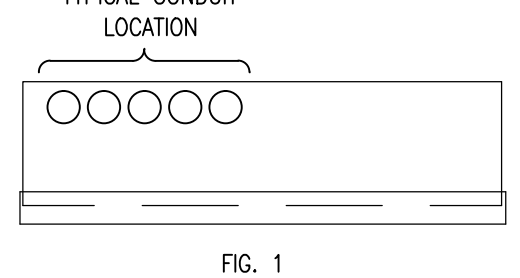
4100ES BACKBOX INSTALLATION

INSTRUCTIONS

1. REMOVE ELECTRONIC CARD CAGE (IF PRESENT) AND STORE IT IN A SAFE DRY AREA.
2. NO KNOCKOUTS PROVIDED: CUT CONDUIT/SERVICE ENTRANCE OPENINGS. REFER TO FIG. 1 FOR PROPER LOCATIONS. CONDUIT PROTRUSION INTO BOX 1/2" MAX.
3. MOUNT BOX TO WALL: BOX MUST BE LEVEL AND PLUMB. FOR SURFACE MOUNT USE TEAR DROP AND CLEARANCE HOLES ON BACK SURFACE. FOR SEMI-FLUSH MOUNT: USE KNOCKOUTS ON SIDE WALL. SCREW OR NAIL BOX TO WALL STUDS.
4. MINIMUM DISTANCE BETWEEN ANY TWO BOXES IS 3 1/4" (6" MAXIMUM).
5. IF PRESENT, USE WIRE MANAGEMENT BRACKETS ON BOX SIDES TO SECURE WIRE RUNS.
6. NEMA RATING: NEMA 1 - GENERAL PURPOSE.
7. DO NOT LOCATE POWER-LIMITED WIRING IN THE SHADED AREAS OF THE BACKBOX, THIS AREA IS RESERVED FOR NON-POWER LIMITED CIRCUITRY SUCH AS AC POWER, BATTERIES AND CITY CONNECTION.
8. REFER TO SIMPLEX BACKBOX INSTALLATION DOCUMENT 579-117 FOR DETAILED INSTRUCTIONS.

NOTE: ADA REQUIREMENTS LIMIT THE ALLOWABLE PROTRUSION OF OBJECTS MOUNTED IN PUBLIC ACCESSIBLE WALKS, HALLS, CORRIDORS, PASSAGeways OR AISLES. THE 4 INCH (100mm) RESTRICTION APPLIES TO ANY ITEM IN WHICH THE MEASUREMENT FROM THE FLOOR TO THE BOTTOM OF THE UNIT IS MORE THAN 27 INCHES.

PKG. SIZE	PID NUMBER	BOX HEIGHT
1 BAY	2975-9407	22"
2 BAY	2975-9408	40"
3 BAY	2975-9409	56"
1 BAY	2975-9410	22"
2 BAY	2975-9411	40"
3 BAY	2975-9412	56"
1 BAY	2975-9438	22"
2 BAY	2975-9439	40"
3 BAY	2975-9440	56"



PID NUMBER	BOX HEIGHT	BOX LENGTH	BOX DEPTH
2081-9280	12"	26 1/2"	12"
4081-9306	13 1/2"	27 7/8"	14 5/8"
4081-9308	13 1/2"	27 7/8"	14 5/8"

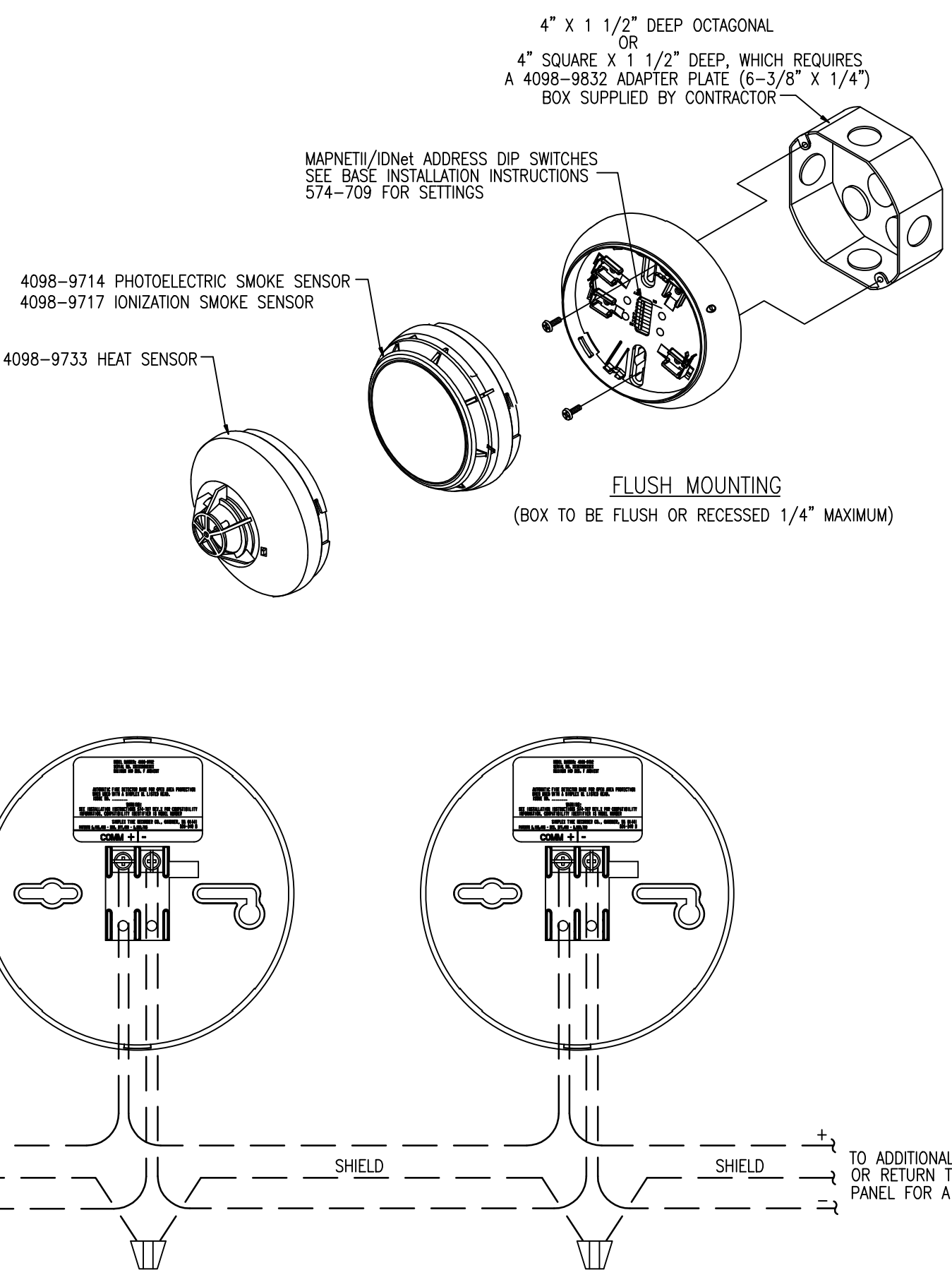
PRODUCT INFORMATION

4098-9792 STANDARD SENSOR BASE

- FEATURES:**
- UL LISTED, FM APPROVED
 - TRUEALARM ANALOG SENSING PROVIDES DIGITAL TRANSMISSION OF ANALOG SENSOR VALUES VIA MAPNET/IDNET OR 2 WIRE COMMUNICATIONS
 - FIRE ALARM CONTROL PANEL PROVIDES:
 - INDIVIDUAL SENSITIVITY SELECTION FOR EACH SENSOR
 - PEAK VALUE LOGGING ALLOWING ACCURATE ANALYSIS FOR SENSITIVITY SELECTION
 - AUTOMATIC ENVIRONMENTAL COMPENSATION
 - DISPLAY OF SENSITIVITY IN PERCENT PER FOOT
 - MULTISTAGE ALARM OPERATION
 - ABILITY TO DISPLAY AND PRINT DETAILED SENSOR INFORMATION IN PLAIN ENGLISH LANGUAGE
 - PHOTOELECTRIC SMOKE SENSOR 4098-9714: SEVEN LEVELS OF SENSITIVITY FROM 0.2% TO 3.7%
 - IONIZATION SMOKE SENSOR 4098-9717: FOUR LEVELS OF SENSITIVITY FROM 0.5% TO 1.7%
 - HEAT SENSOR 4098-9733:
 - RATE-OF-RISE TEMPERATURE DETECTION IS SELECTABLE AT THE CONTROL PANEL FOR EITHER 15°F OR 20°F PER MINUTE
 - FIXED TEMPERATURE SENSING IS INDEPENDENT OF RATE-OF-RISE AND PROGRAMMABLE TO OPERATE AT 135°F OR 155°F
 - TRUEALARM HEAT SENSORS CAN BE PROGRAMMED AS A UTILITY DEVICE TO MONITOR FOR TEMPERATURE EXTREMES IN THE RANGE FROM 32° F TO 120° F.
 - UL STANDARD SPACING:
 - 60 FT SPACING FOR 135° F
 - 40 FT SPACING FOR 155° F
 - INTEGRAL RED LED FOR POWER-ON (PULSING), OR ALARM OR TROUBLE (STEADY ON)
 - BASE MOUNTED ADDRESS SELECTION:
 - ACCESSIBLE FROM FRONT (DIP SWITCH UNDER SENSOR)
 - ADDRESS REMAINS WITH ITS PROGRAMMED LOCATION
 - FOR USE WITH SIMPLEX 4010, 4100, 4020, AND 4120 SERIES CONTROL PANELS.
 - MAXIMUM QUANTITY OF DEVICES:
 - 127 FOR 4020, 4100, 4120
 - 250 FOR 4010, 4100
 - MOUNTING: CEILING OR WALL
 - COLOR - FROST WHITE
 - BASE DIMENSIONS: 15/16" X 4-7/8"

- SPECIFICATIONS:**
- UL LISTED TEMPERATURE RANGE: 32°F TO 100°F
 - OPERATING TEMPERATURE RANGE: 32°F TO 120°F
 - HUMIDITY RANGE: 10% TO 95% RH
 - PHOTOELECTRIC SENSOR AIR VELOCITY RANGE: 0-2000 FT/MIN
 - IONIZATION SENSOR AIR VELOCITY RANGE: 0-300 FT/MIN
 - WIRING CONNECTIONS: SCREW TERMINALS FOR IN/OUT WIRING, #18 TO #14 AWG
 - COMMUNICATIONS MAPNET/IDNET: 1 ADDRESS PER BASE VOLTAGE (MAPNET/IDNET): 24-40VDC CURRENT: 400mA TYPICAL

- DESCRIPTION:**
- TRUEALARM SENSOR BASES CONTAIN INTEGRAL ADDRESSABLE ELECTRONICS THAT CONSTANTLY MONITOR THE STATUS OF THE DETACHABLE PHOTOELECTRIC, IONIZATION, OR HEAT SENSORS. EACH SENSOR'S OUTPUT IS DIGITIZED AND TRANSMITTED TO THE SYSTEM FIRE ALARM CONTROL PANEL EVERY FOUR SECONDS. SINCE TRUEALARM SENSORS USE THE SAME BASE, DIFFERENT SENSOR TYPES CAN BE EASILY INTERCHANGED TO MEET SPECIFIC LOCATION REQUIREMENTS. THIS FEATURE ALLOWS INTENTIONAL SENSOR SUBSTITUTION DURING BUILDING CONSTRUCTION. WHEN CONDITIONS ARE TEMPORARILY DUSTY, INSTEAD OF COVERING THE SMOKE SENSORS, HEAT SENSORS MAY BE INSTALLED WITHOUT REPROGRAMMING THE CONTROL PANEL. ALTHOUGH THE CONTROL PANEL WILL INDICATE AN INCORRECT SENSOR TYPE, THE HEAT SENSOR WILL OPERATE AS A DEFAULT SENSITIVITY PROVIDING HEAT DETECTION FOR BUILDING PROTECTION AT THAT LOCATION.
- WIRING:**
1. ALL WIRING TO COMPLY WITH LOCAL CODE.
 2. CONDUCTORS MUST TEST FREE OF ALL GROUNDS.
 3. MAINTAIN CORRECT POLARITY
 4. MAPNET/IDNET WIRING TO BE #18 AWG TWISTED SHIELDED PAIR OR FIRE ALARM CONTROL PANEL
 5. IF SHIELD IS USED, TWIST SHIELD WIRES TOGETHER AND CAP WITH WIRE NUT. SHIELD SHOULD BE INSULATED FROM ELECTRICAL BOX.
 6. REFER TO INSTALLATION INSTRUCTIONS (574-707)
 7. REFER TO APPLICATION MANUAL (574-709)



TrueAlert™ ADDRESSABLE (STYLE 4) VISIBLE NOTIFICATION APPLIANCES 4906 SERIES

PRODUCT INFORMATION

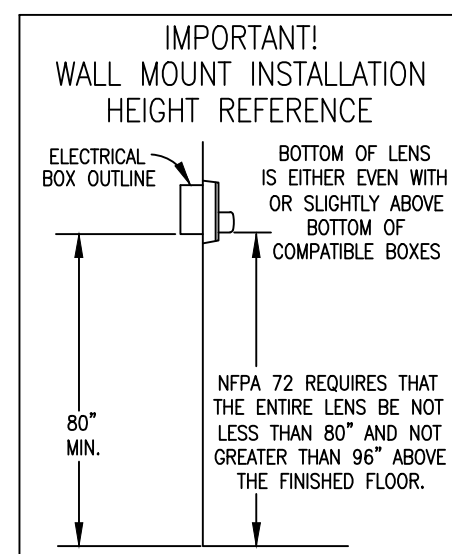
- FEATURES:**
- INDIVIDUALLY ADDRESSED HIGH INTENSITY VISIBLE NOTIFICATION APPLIANCE (STROBE) PROVIDES:
 - SUPERVISION OF EACH INDIVIDUAL APPLIANCE'S WIRING AND CONNECTIONS
 - ABILITY TO CONNECT USING "T" TAPPING FOR CLASS B/STYLE 4 CIRCUITS TO SIMPLIFY WIRING
 - XENON STROBE OUTPUT IS MANUALLY SELECTABLE FOR 15, 30, 75, 110 CANDELA OR "FACE". THE "FACE" SETTING ALLOWS THE 4100U TO PROGRAM THE CANDELA SETTING.
 - COMPATIBILITY WITH ADA REQUIREMENTS
 - IN/OUT WIRING ACCESSIBILITY FROM FRONT OF HOUSING PROVIDES EASY ACCESS FOR INSTALLATION, INSPECTION AND TESTING
 - MAGNETIC TEST DIAGNOSTICS TO ASSIST CHECKOUT AND TESTING OF APPLIANCES AND WIRING
 - UL LISTED TO STANDARD 1971
- LED INDICATOR AND MAGNETIC TEST FEATURE:**
- LED INDICATOR CAN BE SELECTED TO DISPLAY EACH POLLING CYCLE TO INDICATE APPLIANCE SUPERVISION
 - WHEN THE TrueAlert CONTROLLER IS IN DIAGNOSTIC MODE, THE MAGNETIC TEST PULSES THE LED TO INDICATE APPLIANCE ADDRESS AND IS SELECTABLE TO ALSO BRIEFLY FLASH THE STROBE TO CONFIRM OPERATION
- TrueAlert 2-WIRE ADDRESSABLE CONTROL OF VISIBLE (AND AUDIBLE NOTIFICATION) PROVIDES:**
- VISIBLE APPLIANCES CONNECTED TO THE SAME CIRCUIT OPERATED AT A SYNCHRONIZED 1 Hz FLASH RATE

SPECIFICATIONS:

- STROBE:**
- RATED VOLTAGE RANGE: 17 TO 31 VRMS
 - SUPERVISORY REQUIREMENTS: 1 UNIT LOAD
 - STROBE FLASH RATE: 1 Hz
 - SYNCHRONIZED SLC LOADING: UP TO 43 TrueAlert ADDRESSABLE SYNCHRONIZED STROBES MAXIMUM PER SLC
- *CURRENT DRAWS REFLECT STROBE FLASHING**
- | MODEL NUMBER | HOUSING COLOR | LETTERING COLOR | 15cd | 30cd | 75cd | 110cd |
|--------------|---------------|-----------------|-------|-------|-------|-------|
| 4906-9201 | RED | WHITE | 0.064 | 0.098 | 0.187 | 0.253 |
| 4906-9203 | WHITE | RED | 0.064 | 0.098 | 0.187 | 0.253 |
- GENERAL SPECIFICATIONS:**
- HOUSING DIMENSIONS (INCLUDING LENS): 5 1/8" H X 5" W X 2 5/8" D (130 mm X 127 mm X 67 mm)
 - TEMPERATURE RANGE: 32° TO 122° F (0° TO 50° C)
 - HUMIDITY RANGE: 10% TO 93% NON-CONDENSATING AT 100° F (38° C)
 - CONNECTIONS: TERMINAL BLOCKS FOR 18 TO 12 AWG

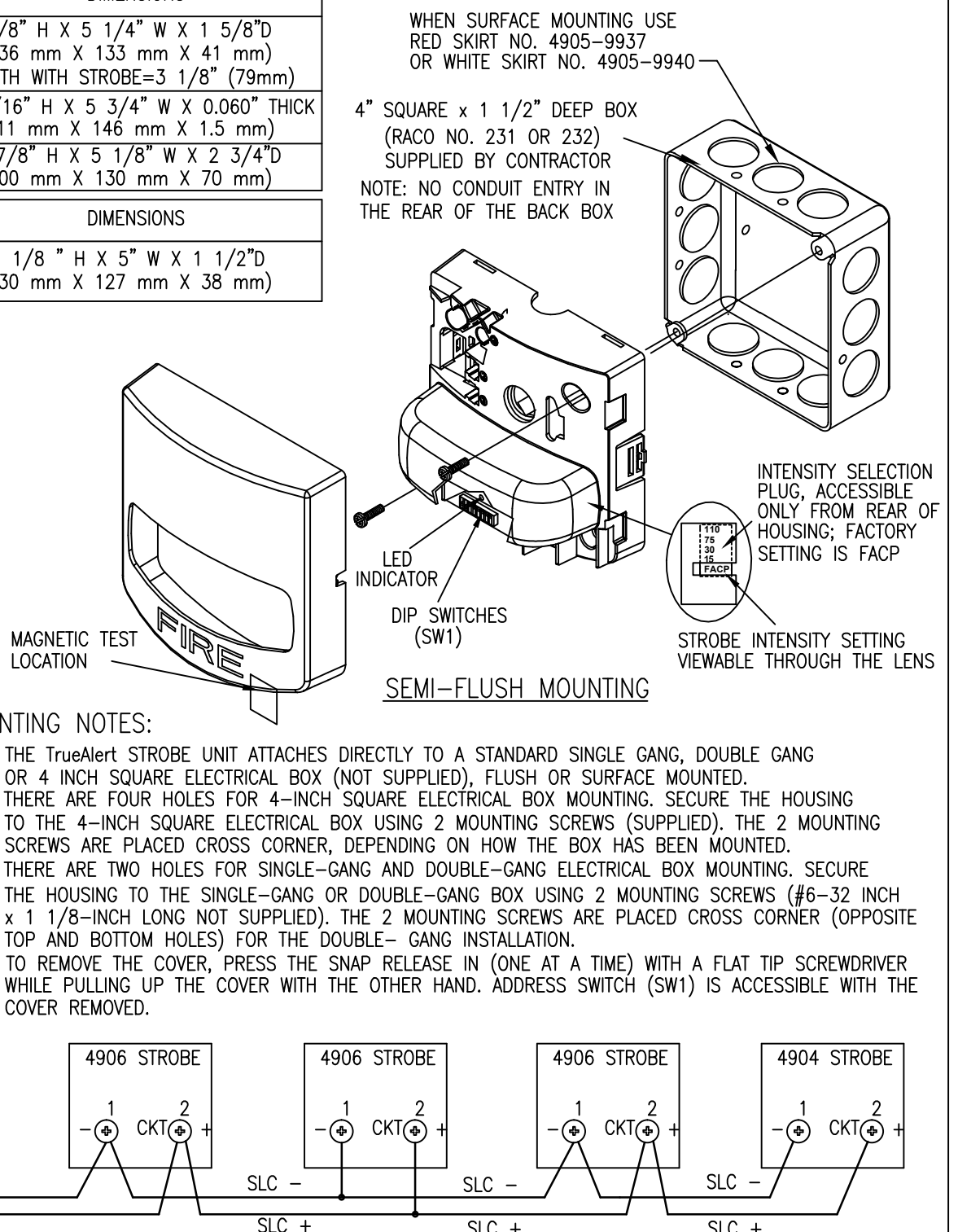
SPECIFICATION NOTES:

1. TrueAlert APPLIANCES ARE REQUIRED TO BE CONNECTED TO A TrueAlert ADDRESSABLE CHANNEL WHERE BOTH POWER AND ADDRESSED COMMUNICATIONS ARE SUPPLIED. REFER TO DATA SHEET 54009-0003 (TrueAlert ADDRESSABLE CONTROLLER) FOR ADDITIONAL INFORMATION ABOUT WIRING RULES AND DISTANCE LIMITATIONS.
2. THE RATED RANGE LISTED IS THE ABSOLUTE OPERATING VOLTAGE RANGE. OPERATION OUTSIDE OF THIS RANGE MAY CAUSE PERMANENT DAMAGE TO THE APPLIANCE. PLEASE NOTE THAT 17 VRMS IS THE LOWEST OPERATING VOLTAGE THAT IS ALLOWED AT THE LAST APPLIANCE ON THE TrueAlert NOTIFICATION APPLIANCE CIRCUIT UNDER WORST CASE CONDITIONS. VOLTAGE DROP AND STANDBY BATTERY CALCULATIONS SHOULD BE MADE USING ANTICIPATED OPERATING CONDITIONS. "LOW" HORN SETTING DRAWS APPROXIMATELY 5 mA LESS CURRENT AT EACH VOLTAGE LISTED.
3. VOLTAGE DROPS AND STANDBY BATTERY CALCULATIONS SHOULD BE MADE USING ANTICIPATED OPERATING CONDITIONS. OPERATION ABOVE 24VDC DRAWS LESS CURRENT.



TrueAlert STROBE UNITS - DIP SWITCH ADDRESS CHART

RESERVED FOR FUTURE USE	DIP SWITCHES 5 & 6			
	0000	1000	0100	1100
0000	0	16	32	48
1000	1	17	33	49
0100	2	18	34	50
1100	3	19	35	51
0010	4	20	36	52
1010	5	21	37	53
0110	6	22	38	54
1110	7	23	39	55
0001	8	24	40	56
1001	9	25	41	57
0101	10	26	42	58
1101	11	27	43	59
0011	12	28	44	60
1011	13	29	45	61
0111	14	30	46	62
1111	15	31	47	63



MOUNTING NOTES:

1. The TrueAlert STROBE UNIT ATTACHES DIRECTLY TO A STANDARD SINGLE GANG, DOUBLE GANG OR 4 INCH SQUARE ELECTRICAL BOX (NOT SUPPLIED), FLUSH OR SURFACE MOUNTED.
2. THERE ARE FOUR HOLES FOR 4-INCH SQUARE ELECTRICAL BOX MOUNTING. SECURE THE HOUSING TO THE 4-INCH SQUARE ELECTRICAL BOX USING 2 MOUNTING SCREWS (SUPPLIED). THE 2 MOUNTING SCREWS ARE PLACED CROSS CORNER, DEPENDING ON HOW THE BOX HAS BEEN MOUNTED.
3. THERE ARE TWO HOLES FOR SINGLE-GANG AND DOUBLE-GANG ELECTRICAL BOX MOUNTING. SECURE THE HOUSING TO THE SINGLE-GANG OR DOUBLE-GANG BOX USING 2 MOUNTING SCREWS (#6-32 INCH X 1 1/8-INCH LONG NOT SUPPLIED). THE 2 MOUNTING SCREWS ARE PLACED CROSS CORNER (OPPOSITE TOP AND BOTTOM HOLES) FOR THE DOUBLE-GANG INSTALLATION.
4. TO REMOVE THE COVER, PRESS THE SNAP RELEASE IN (ONE AT A TIME) WITH A FLAT TIP SCREWDRIVER WHILE PULLING UP THE COVER WITH THE OTHER HAND. ADDRESS SWITCH (SW1) IS ACCESSIBLE WITH THE COVER REMOVED.

WIRING NOTES:

1. REFER TO FIELD WIRING DIAGRAMS OF THE DRIVING TrueAlert COMPATIBLE CONTROLLER FOR ADDITIONAL SLC WIRING INFORMATION.
2. NOTIFICATION APPLIANCES ARE RATED PER INDIVIDUAL NAMEPLATE LABEL.
3. MAINTAIN CORRECT POLARITY ON TERMINAL CONNECTIONS. DO NOT LOOP WIRES UNDER TERMINALS.
4. ALL TrueAlert SLC WIRING CONNECTIONS ARE SUPERVISED AND POWER-LIMITED.
5. POWERING THE STROBE FROM AN APPLIANCE POWER SOURCE LESS THAN 32 VDC OR GREATER THAN 32 VDC MAY CAUSE PERMANENT DAMAGE TO THE STROBE.
6. The TrueAlert STROBE CAN ONLY BE OPERATED THROUGH A 4009 TrueAlert ADDRESSABLE CONTROLLER OR TrueAlert COMPATIBLE FACP.
7. WHEN CONTROLLED FROM A 4009 TrueAlert ADDRESSABLE CONTROLLER, THE FACP SETTINGS ARE NOT SUPPORTED.
8. MAXIMUM T-TAPPING LENGTH IS 100 FEET.

FILE PATH: P:\2013\147\Portland Jetport TSA (FA CAD)\FA-701.dwg
LAST PRINTED: 5/3/2013 1:41:18 PM
LAST SAVED BY: SKALAFARSKI

tyco SimplexGrinnell

20 THOMAS DRIVE
WESTBROOK, ME 04092
207-845-6440
SALES
207-845-6440
SERVICE
207-845-6439
FAX

© 2013 SIMPLEXGRINNELL LP
ALL RIGHTS RESERVED

CHG BY: _____
REVISION DESCRIPTION: _____
DATE: _____
NO: _____

FIRE ALARM SYSTEM
DEVICE WIRING DETAILS
TSA PORTLAND INTERNATIONAL JETPORT
1001 WESTBROOK STREET
PORTLAND, ME

DRAWN BY: STEPHENS
DATE: 4/23/13
CHECKED BY: KALAFARSKI
DATE: 5/3/13

PROJECT NUMBER: 969922101
SHEET TITLE: FIRE ALARM SYSTEM DEVICE WIRING DETAILS
SHEET NUMBER: FA-701