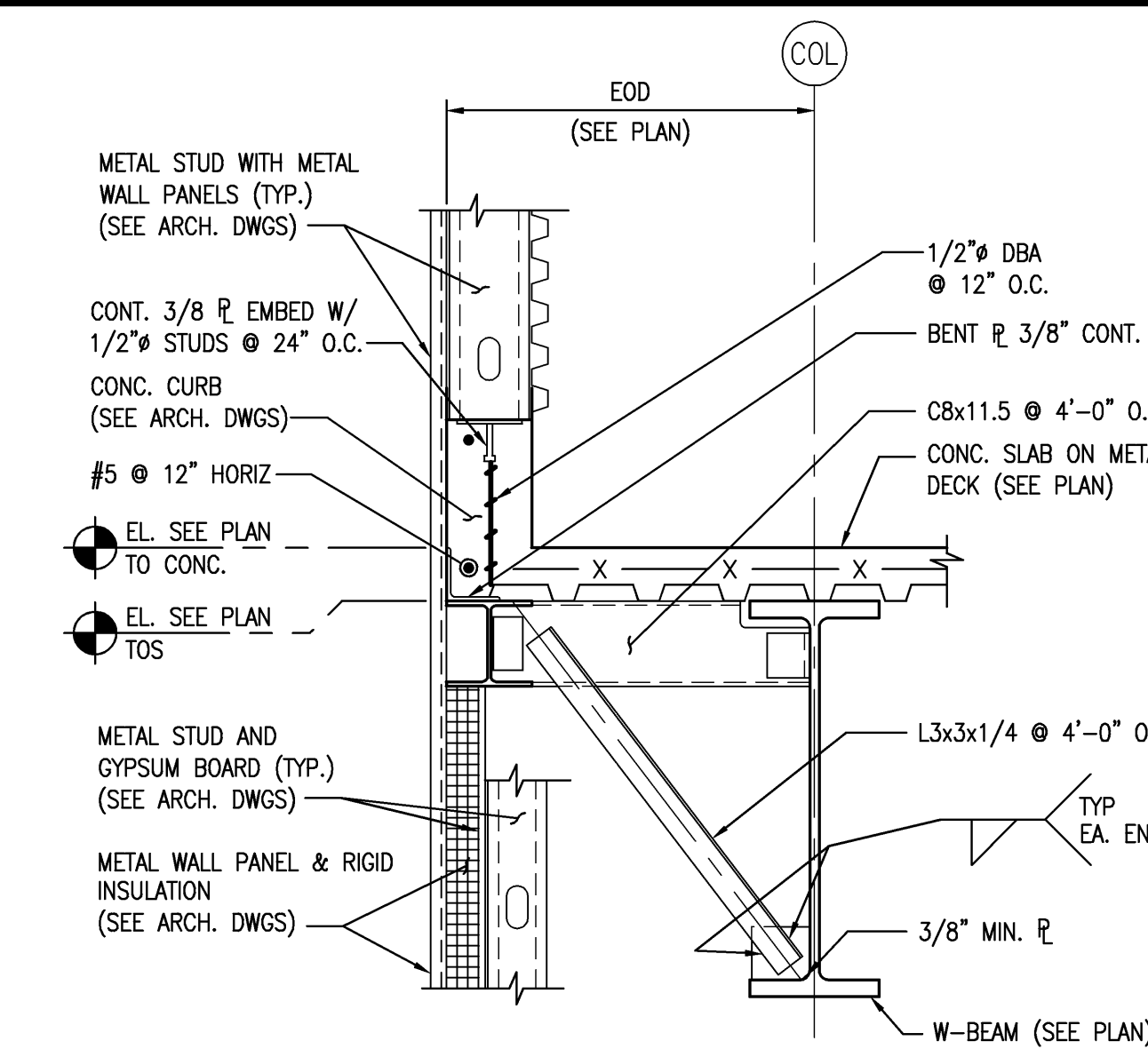
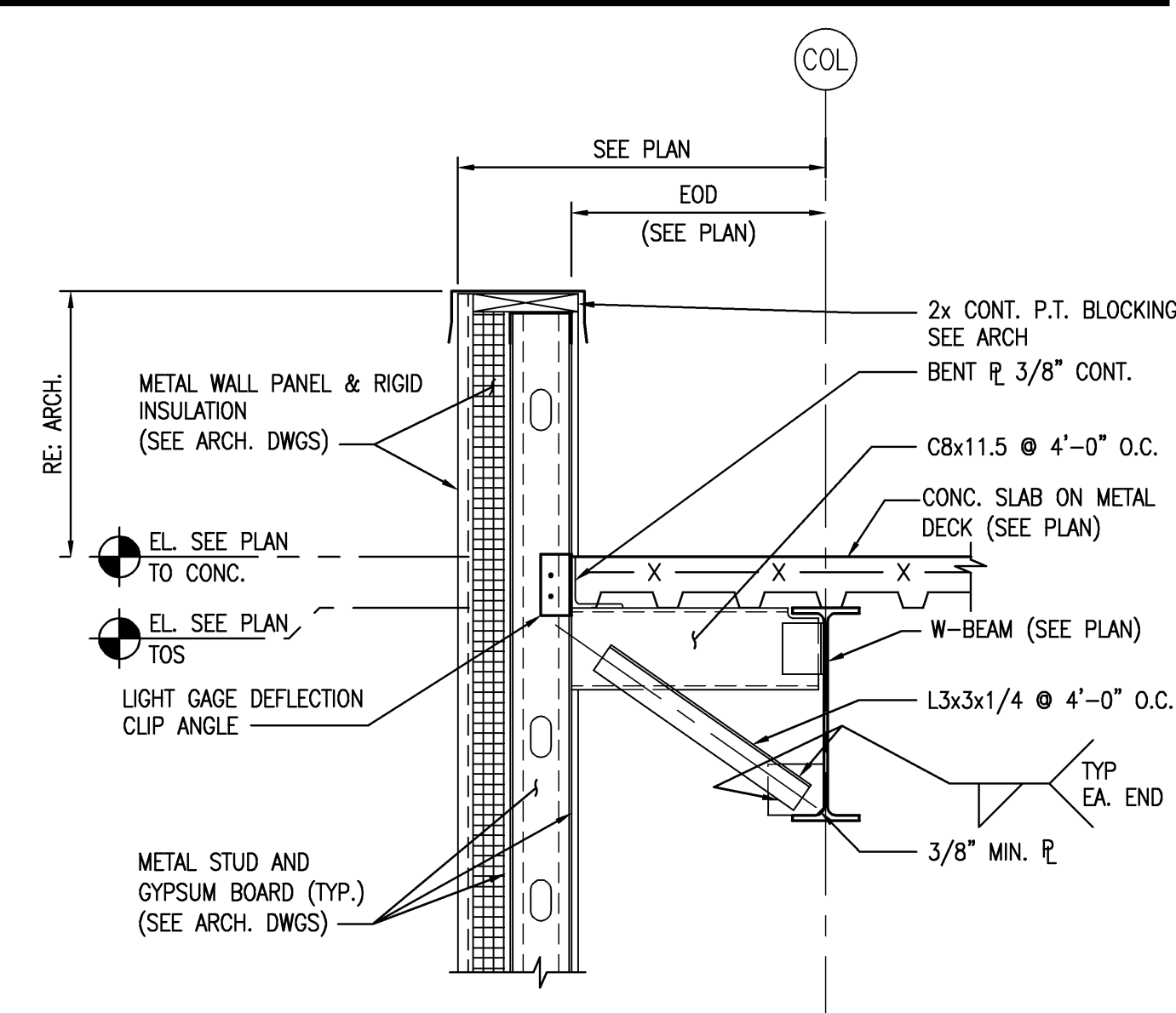


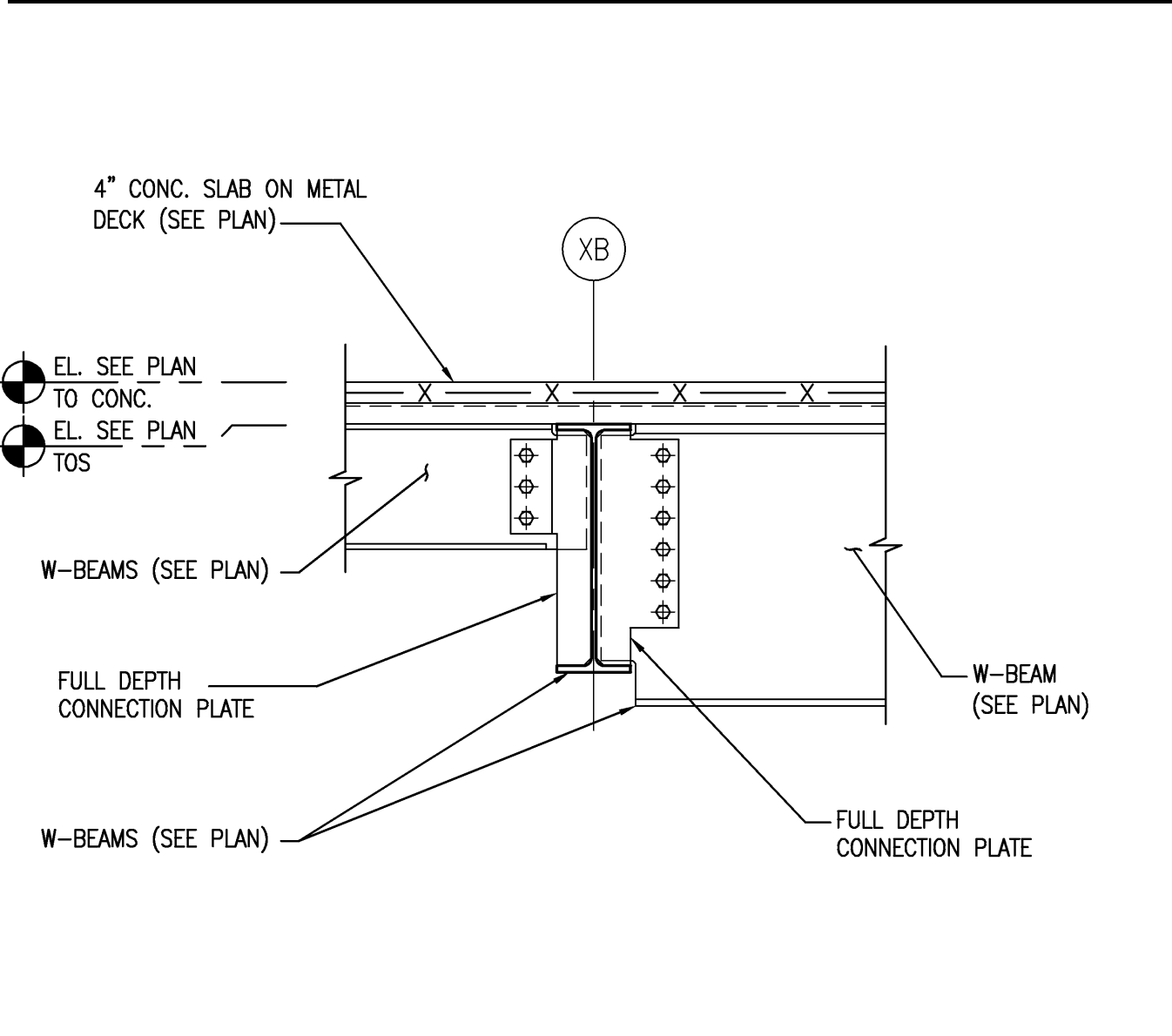
SECTION 11
SCALE: 3/4" = 1'-0"
S02.05.05



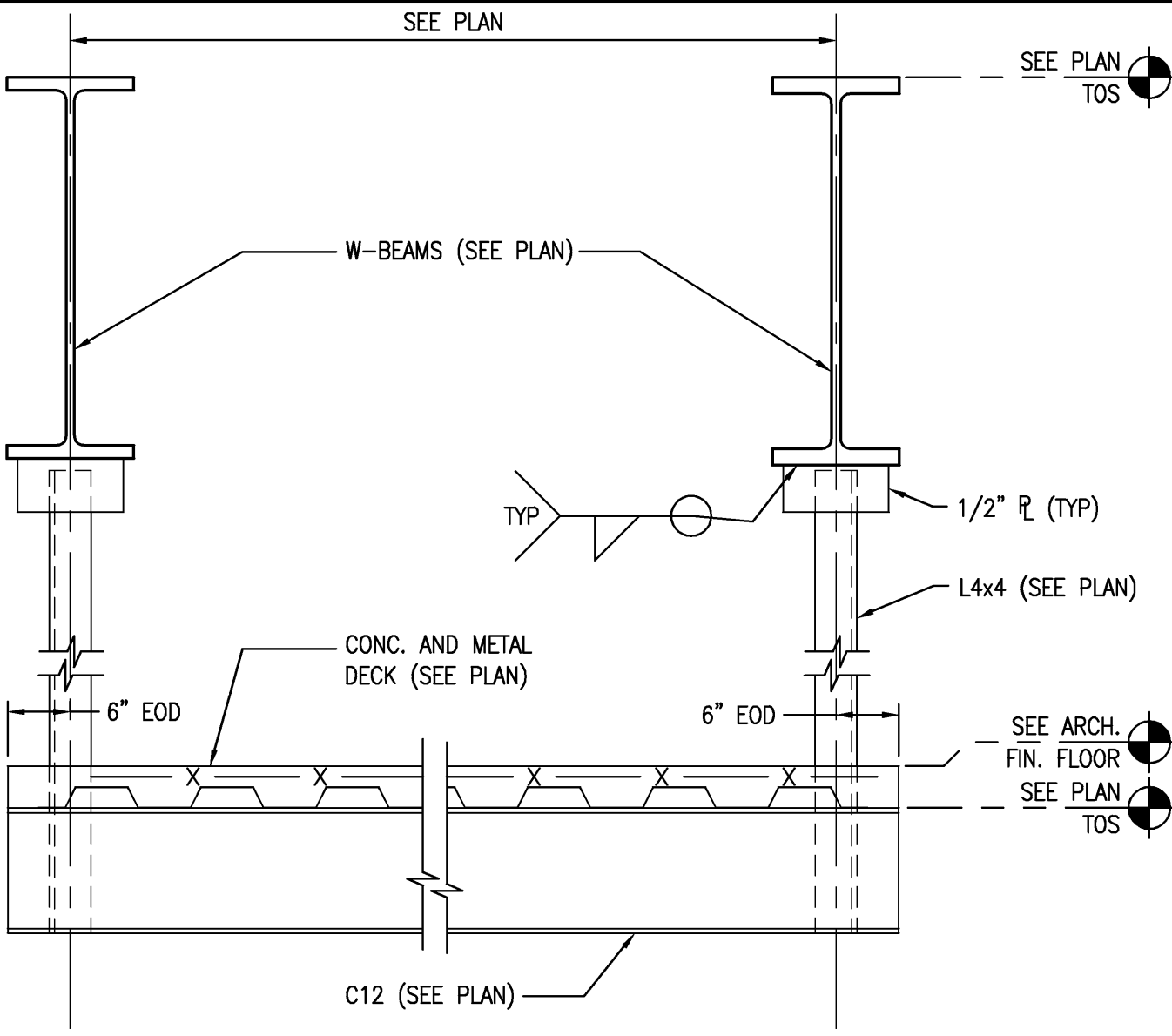
SECTION 6
SCALE: 3/4" = 1'-0"
S02.05.06



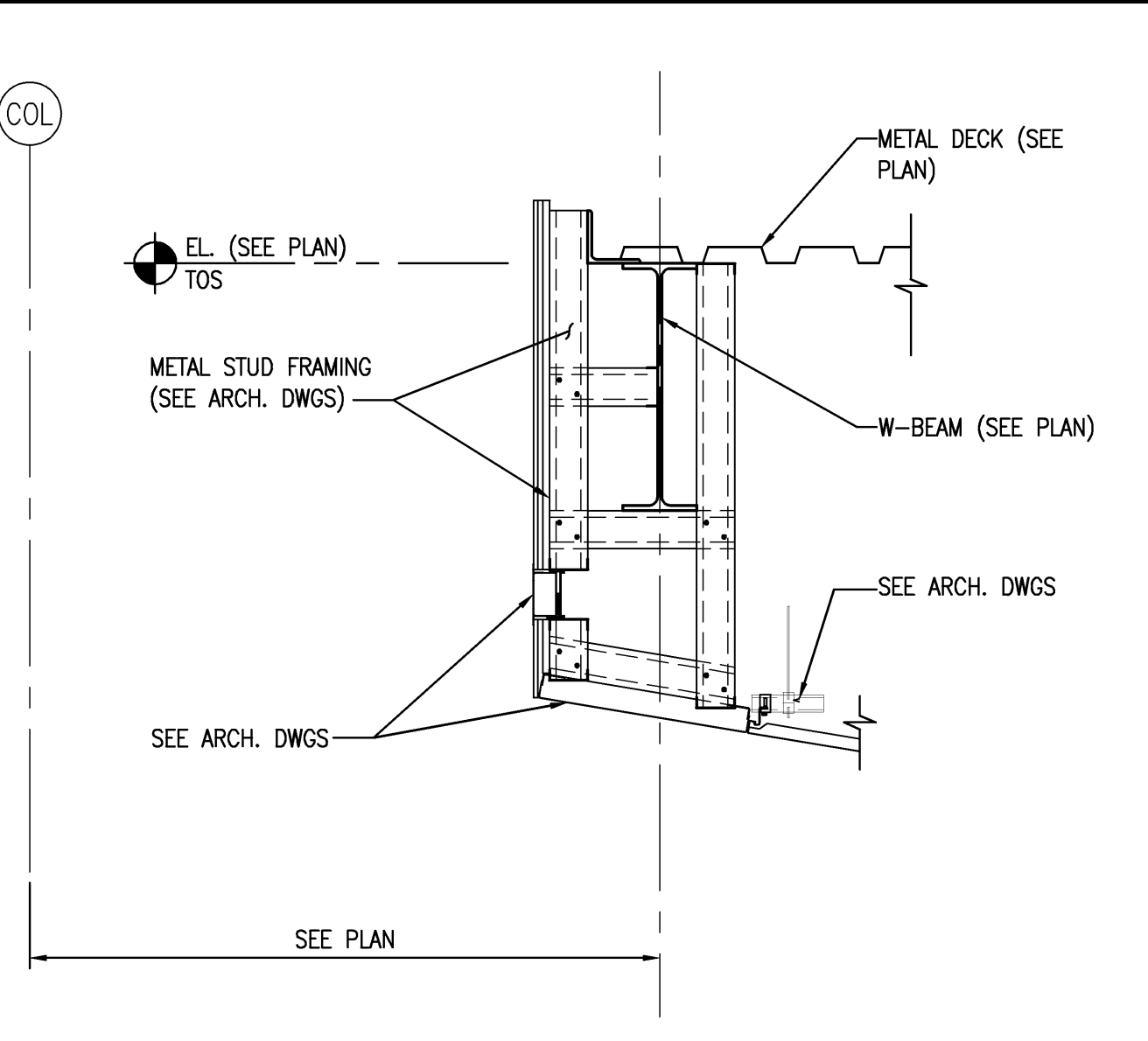
SECTION 1
SCALE: 3/4" = 1'-0"
S02.05.05



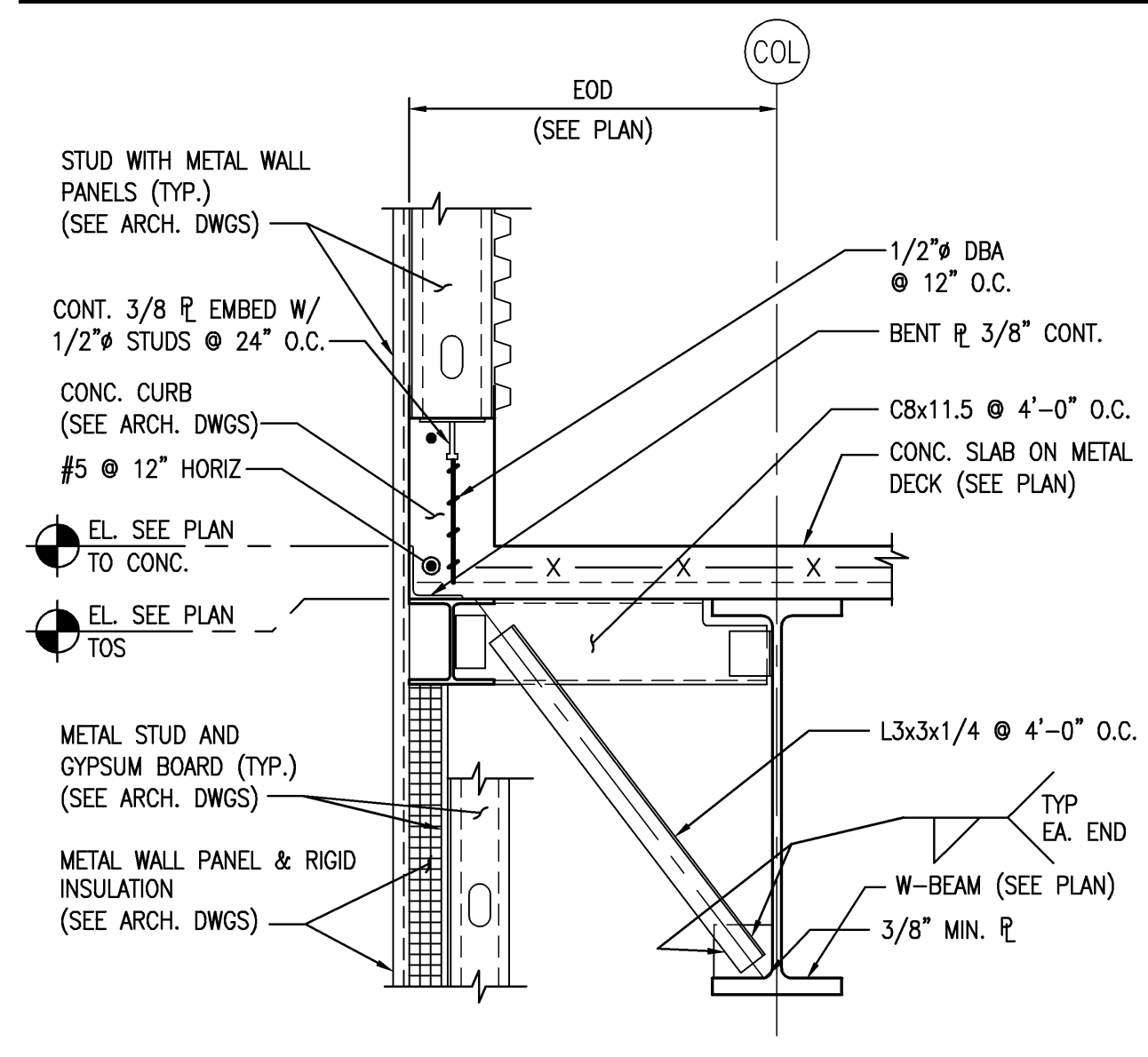
SECTION 20
SCALE: 3/4" = 1'-0"
S12.40



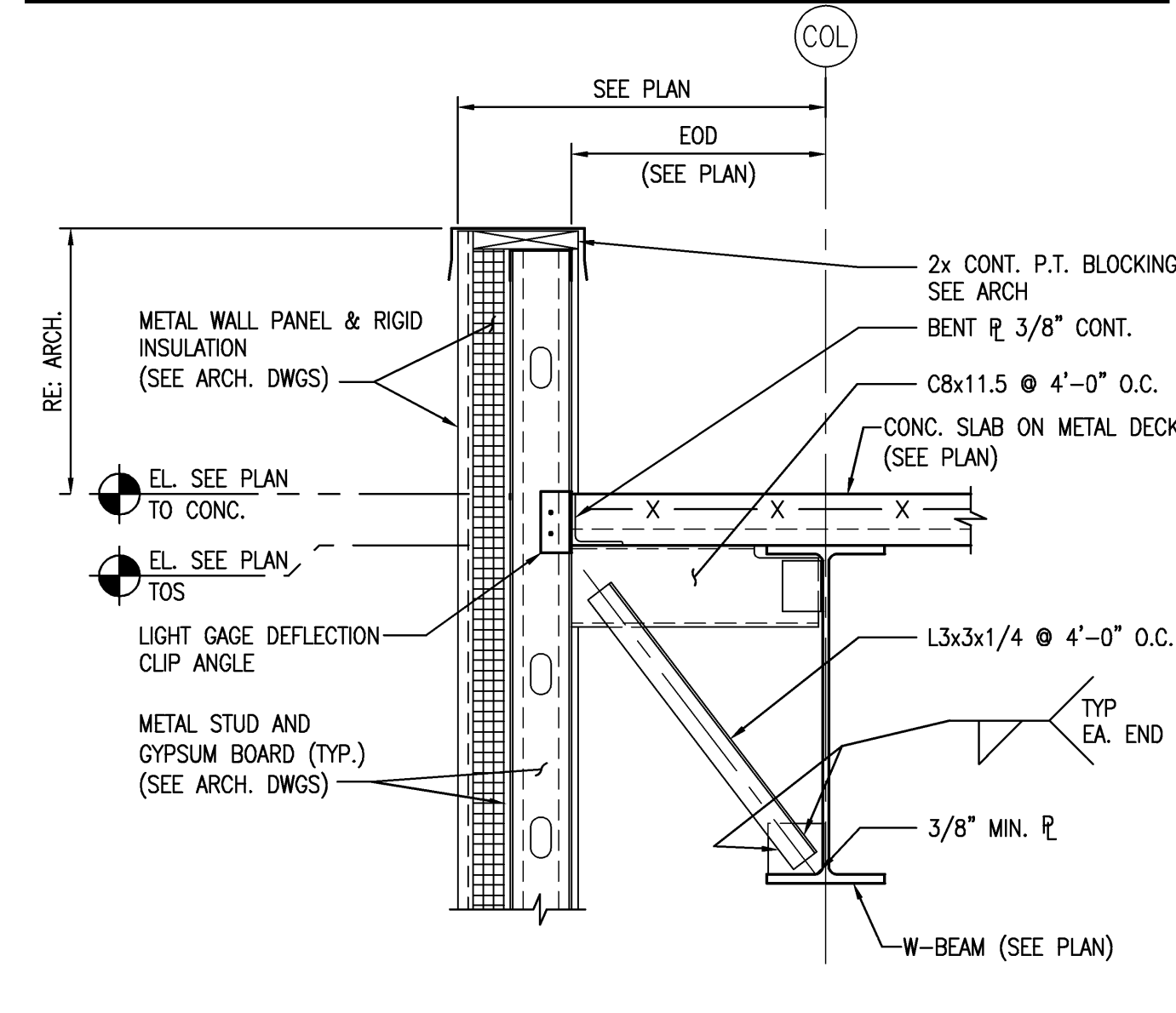
SECTION 16
SCALE: 3/4" = 1'-0"
S02.05.06



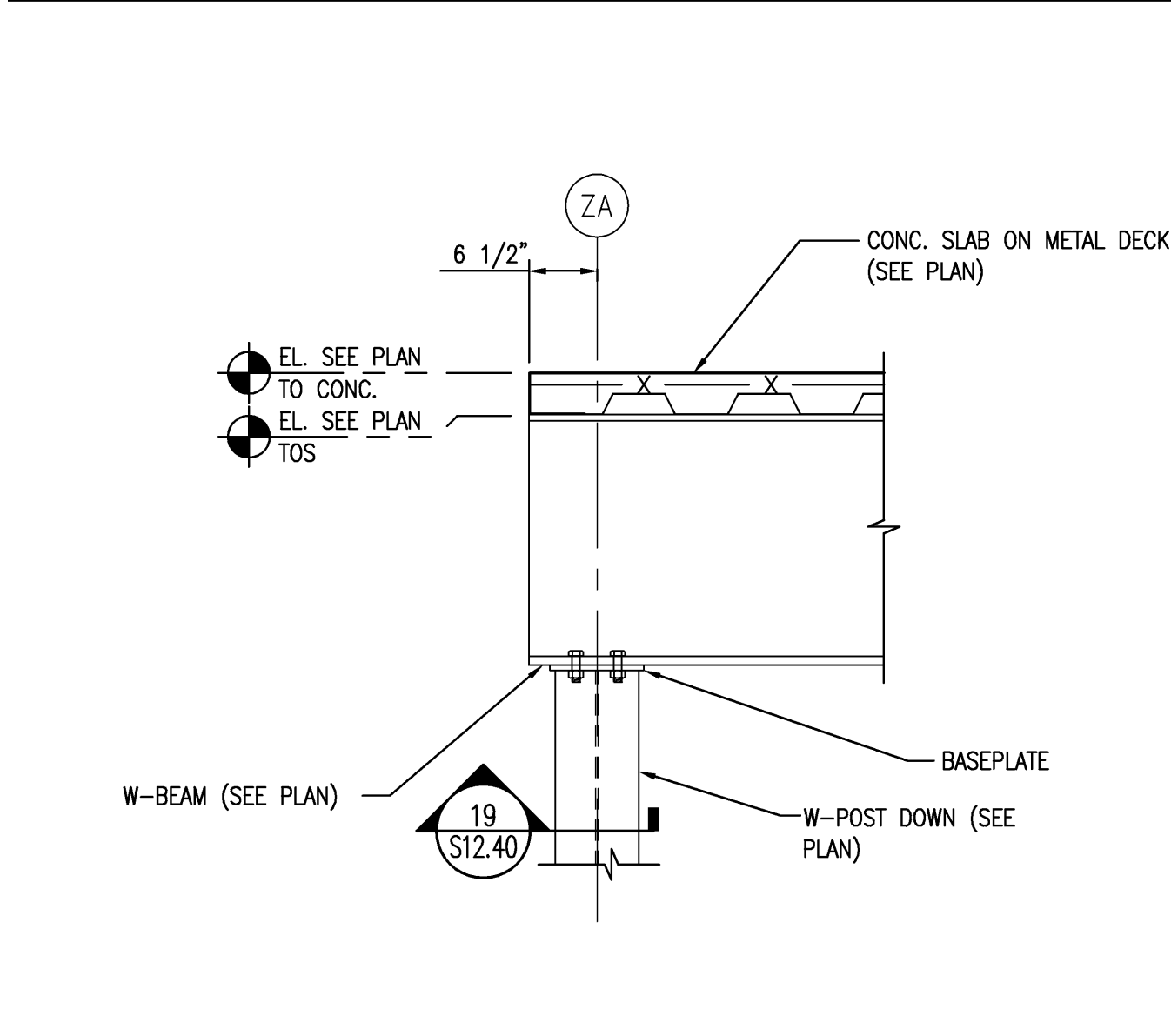
SECTION 12
SCALE: 3/4" = 1'-0"
S02.05.05



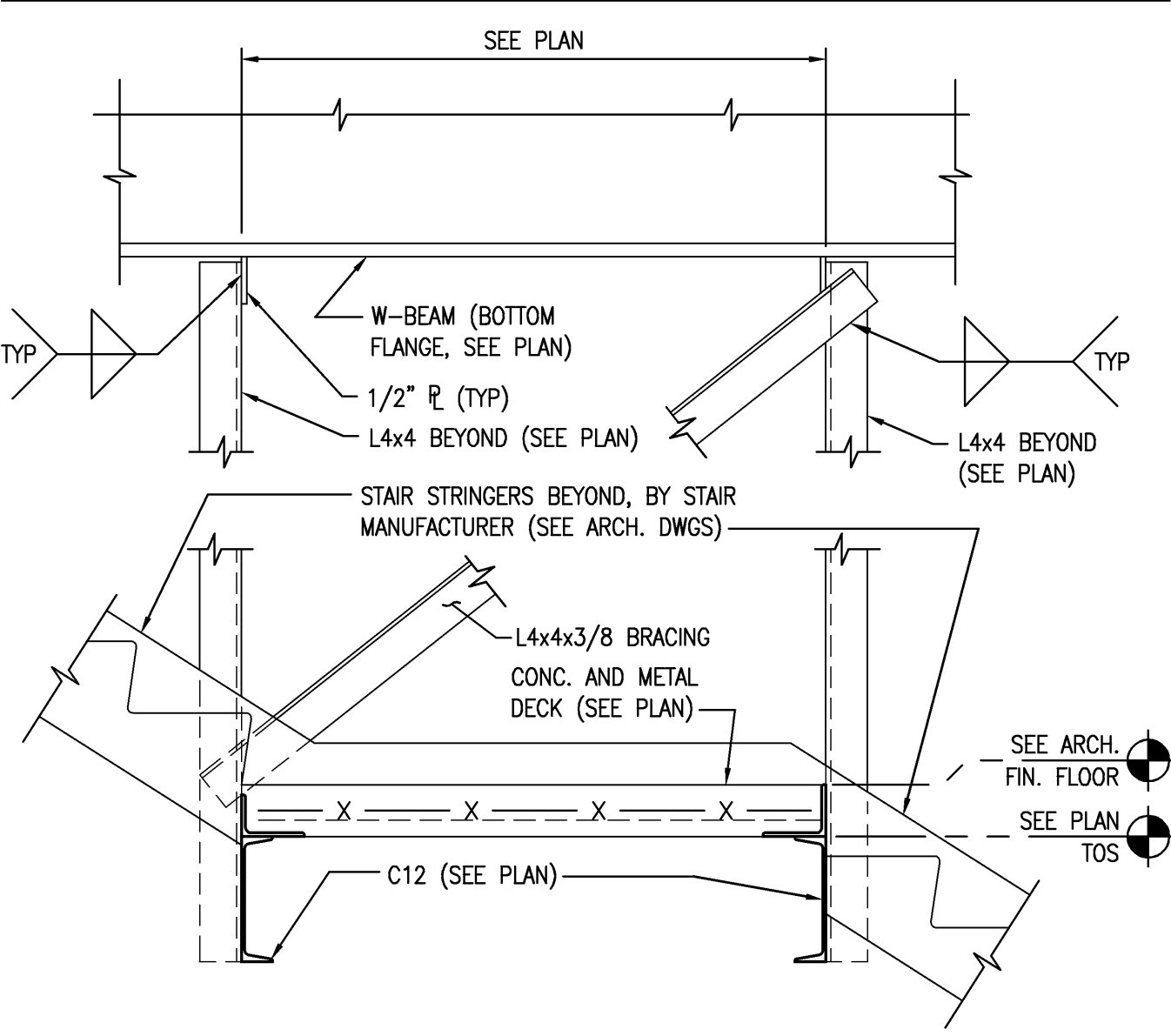
SECTION 7
SCALE: 3/4" = 1'-0"
S02.05.06



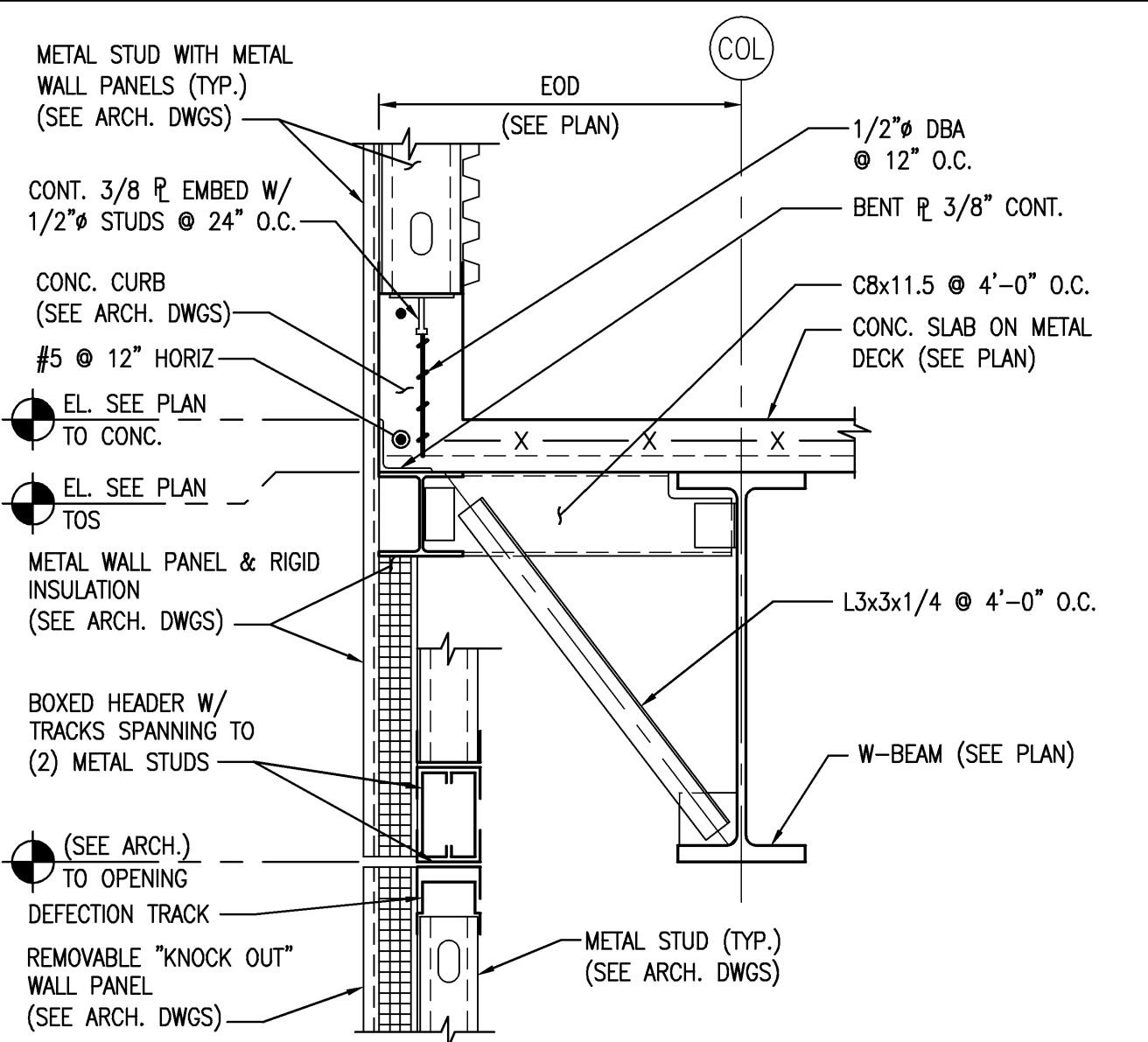
SECTION 2
SCALE: 3/4" = 1'-0"
S02.05.05



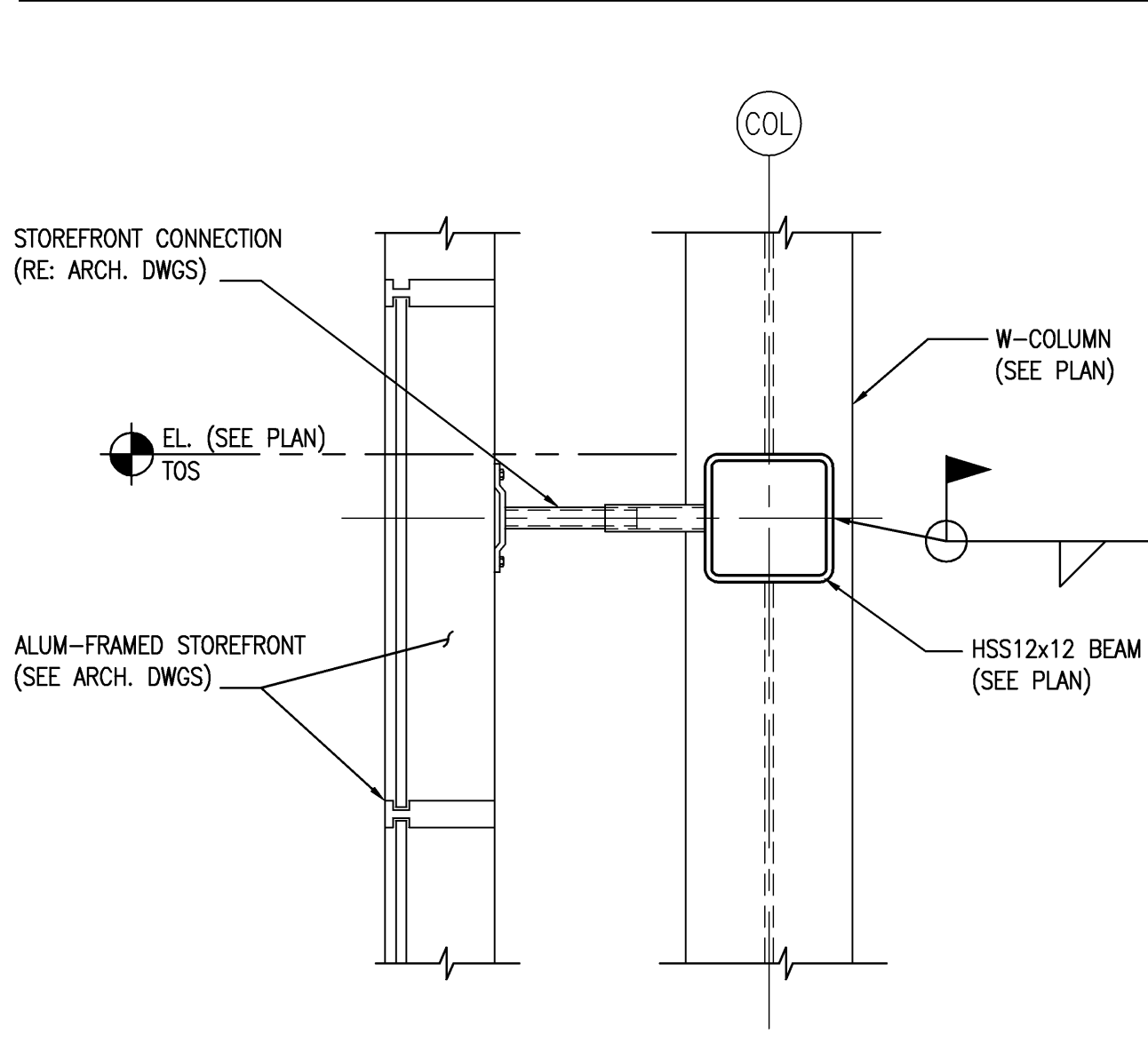
SECTION 21
SCALE: 3/4" = 1'-0"
S12.40



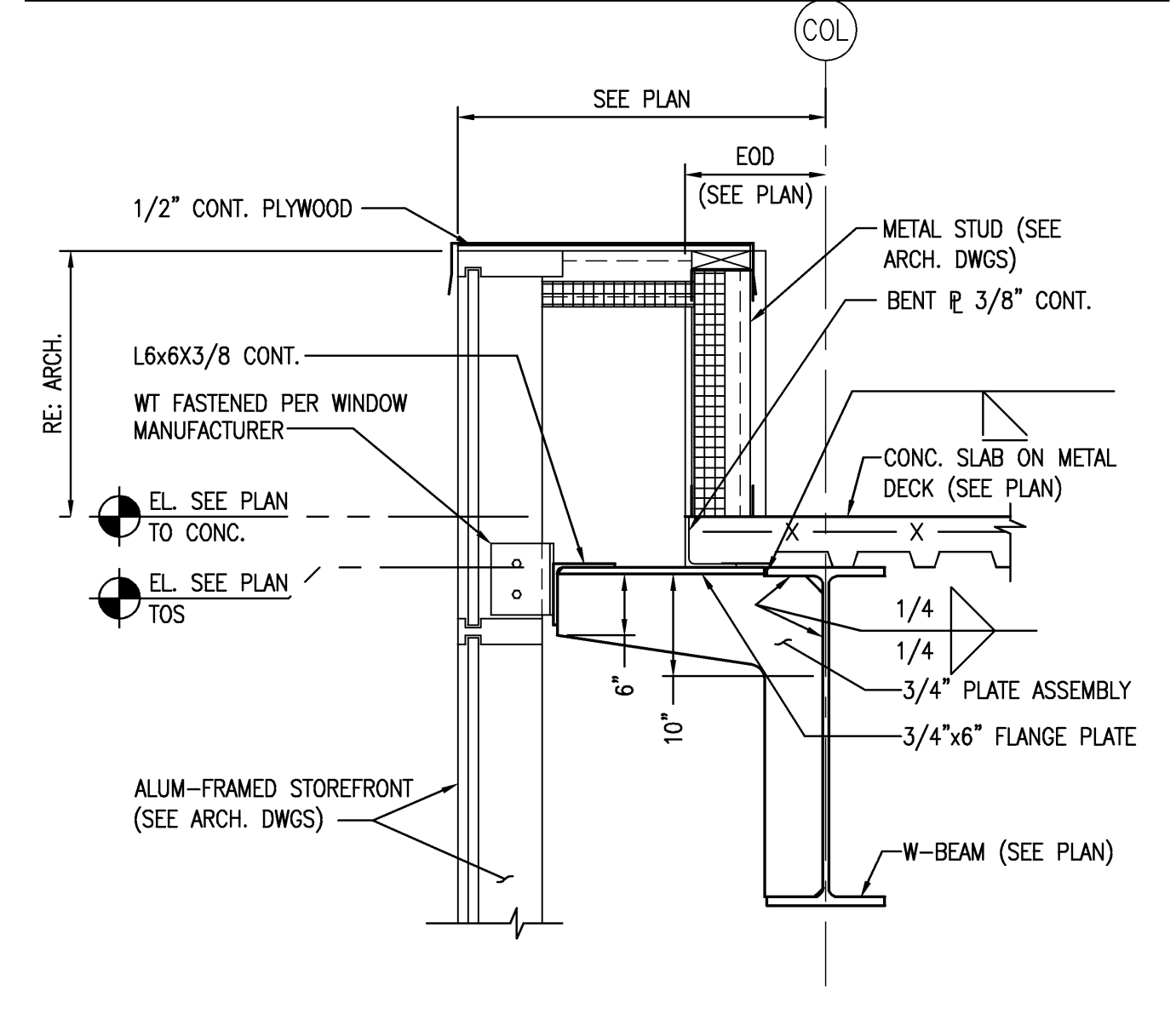
SECTION 17
SCALE: 3/4" = 1'-0"
S02.05.06



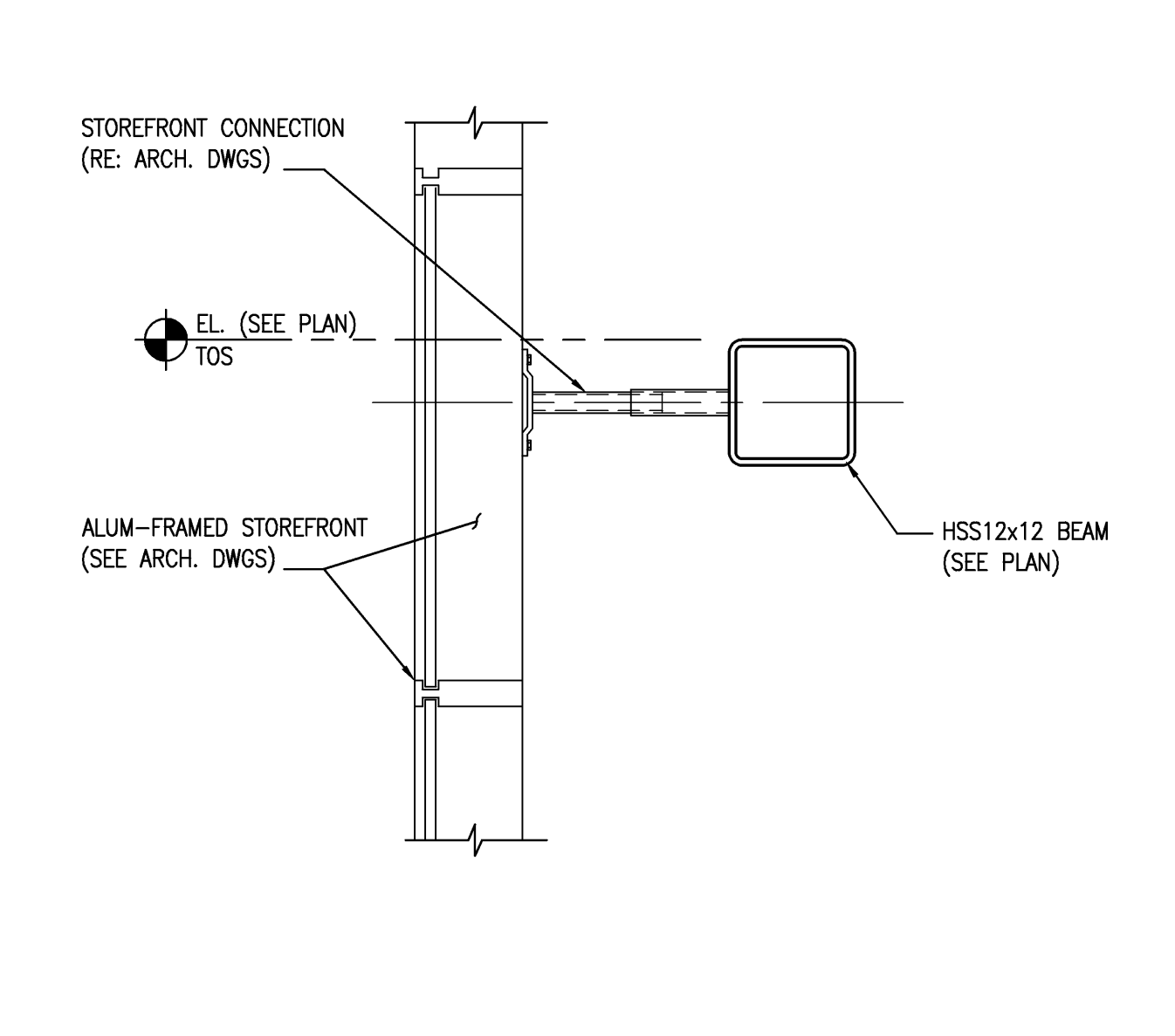
SECTION 13
SCALE: 3/4" = 1'-0"
S02.05.06



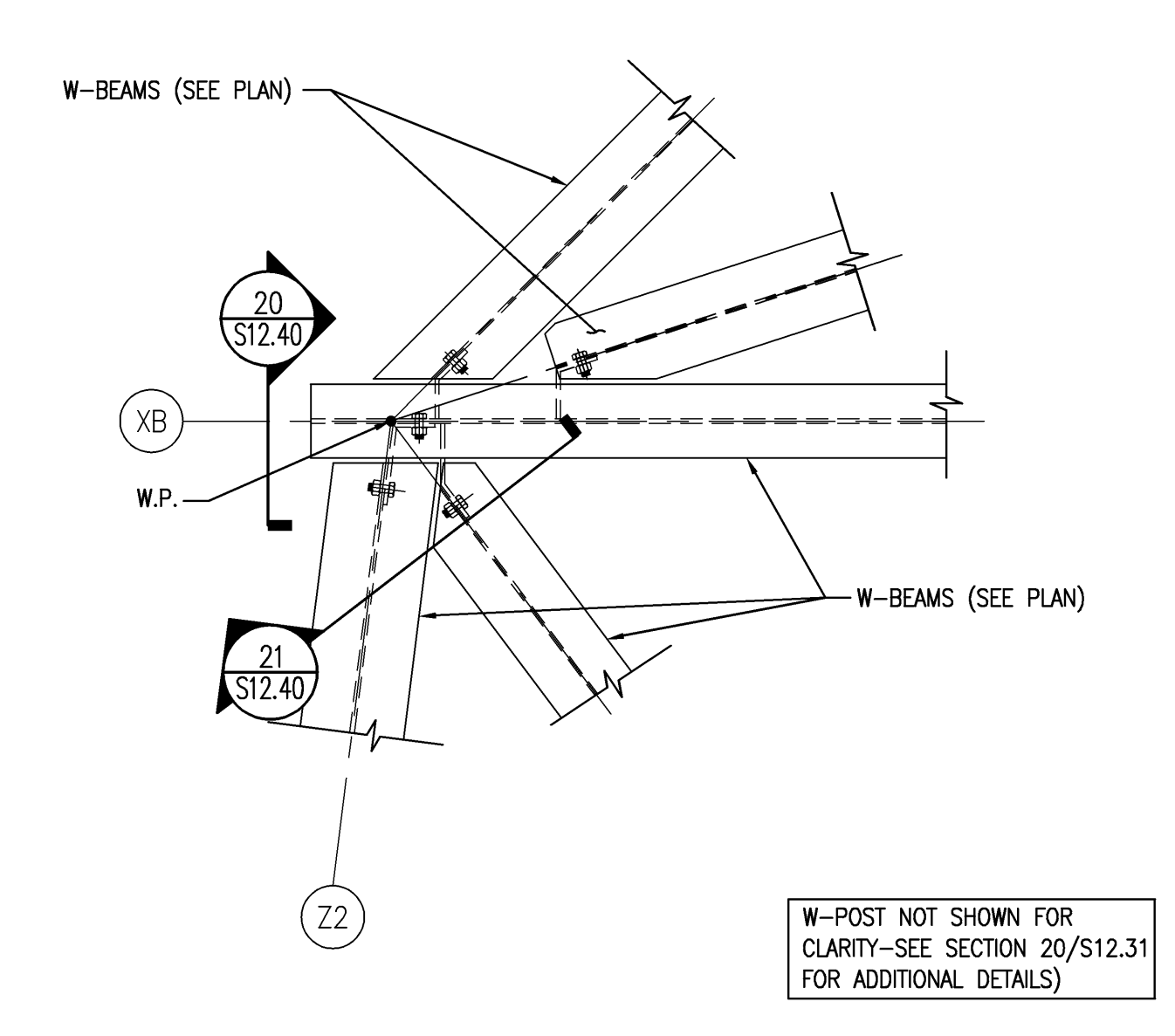
SECTION 8
SCALE: 3/4" = 1'-0"
S02.05.05



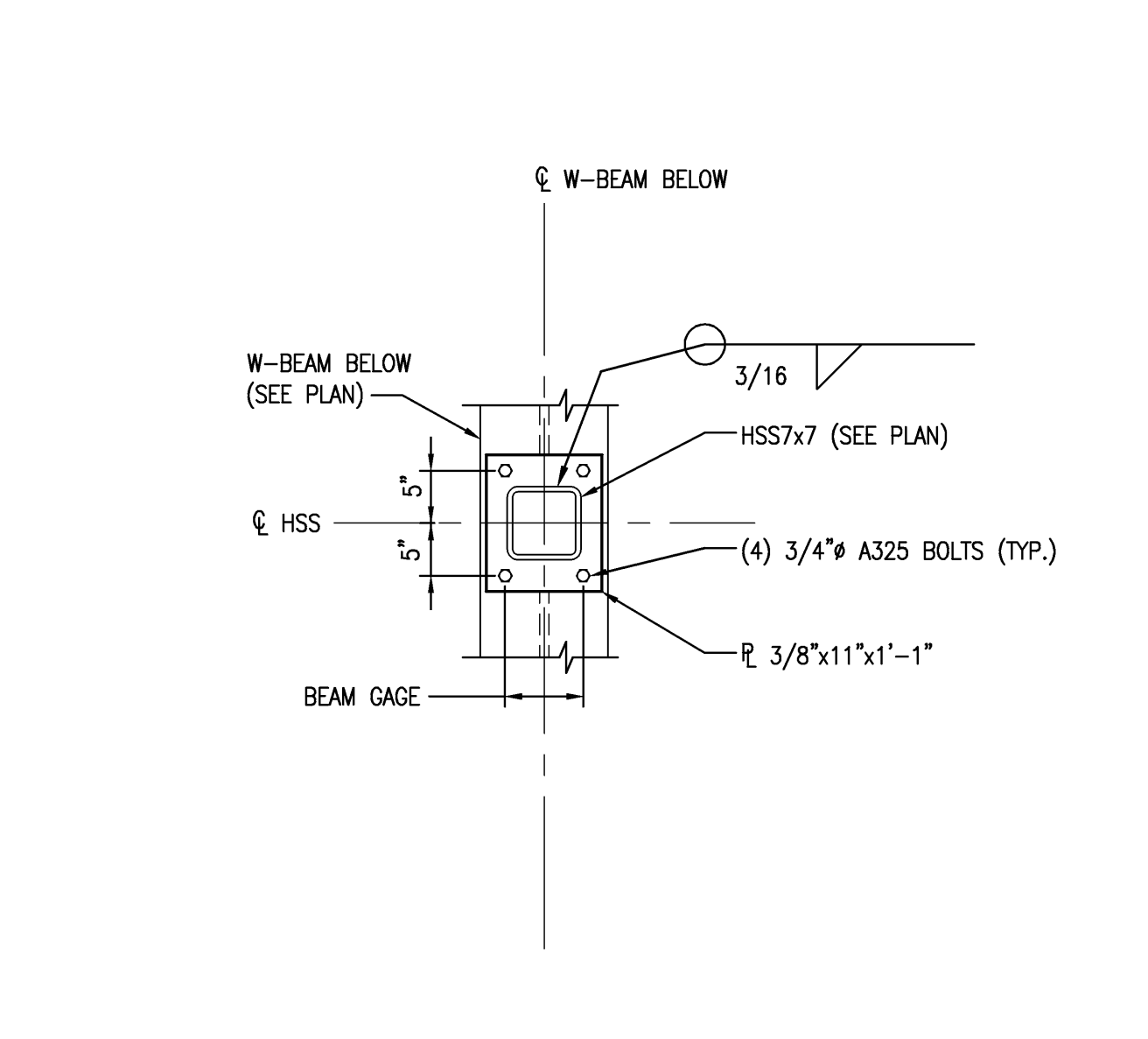
SECTION 3
SCALE: 3/4" = 1'-0"
S02.05.05



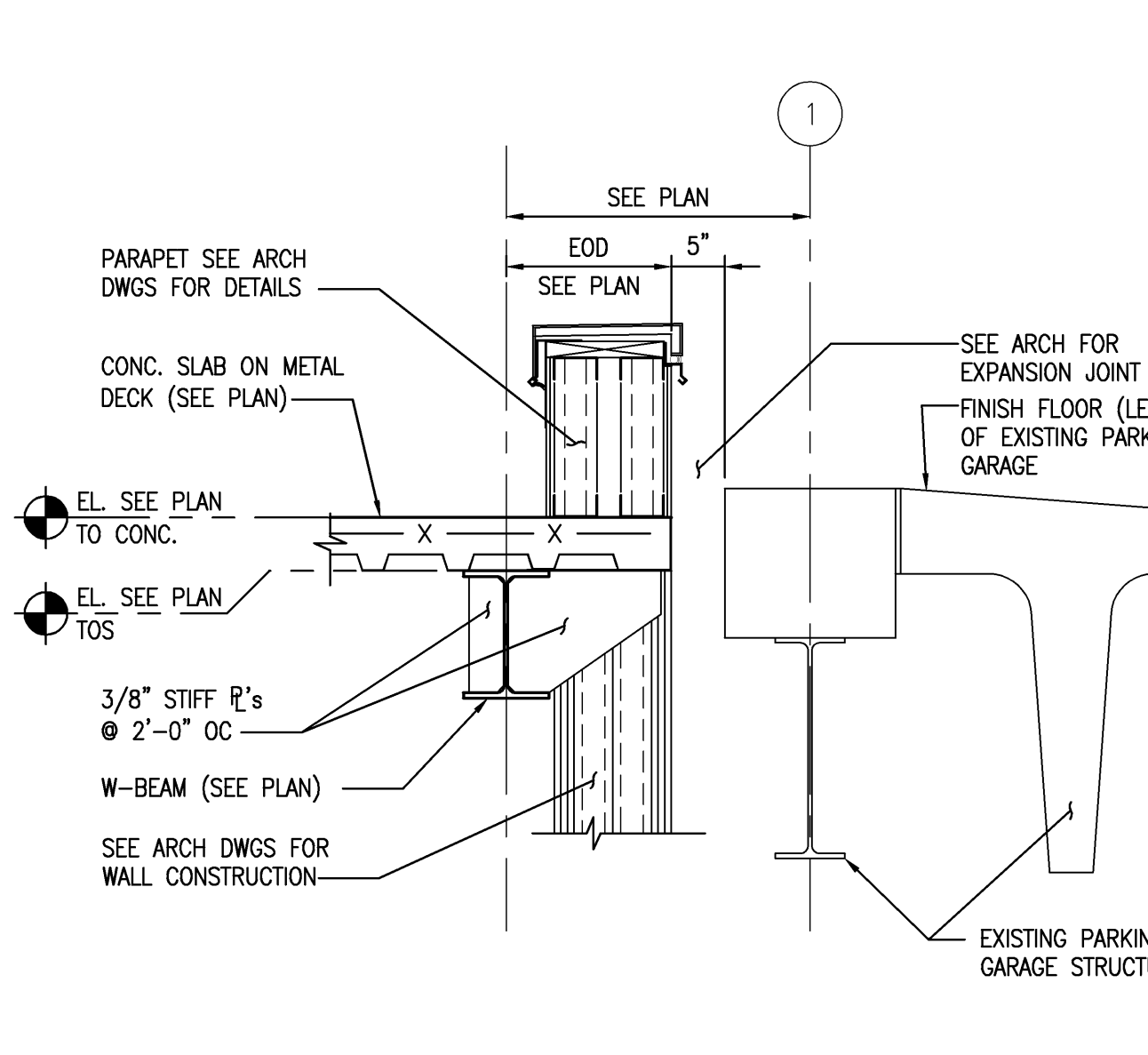
SECTION 22
SCALE: 3/4" = 1'-0"
S02.05.06



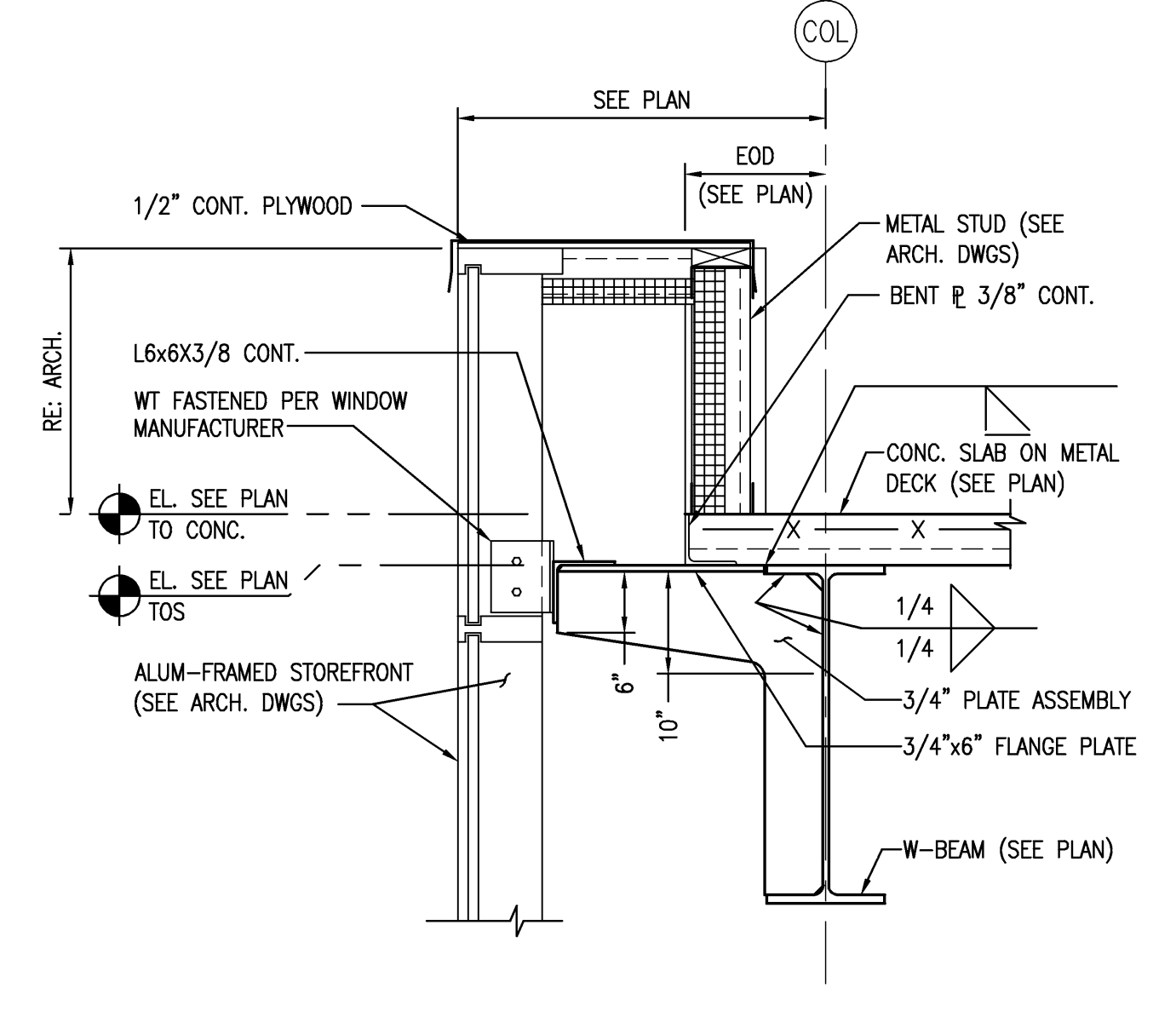
SECTION 18
SCALE: 3/4" = 1'-0"
S02.05.06



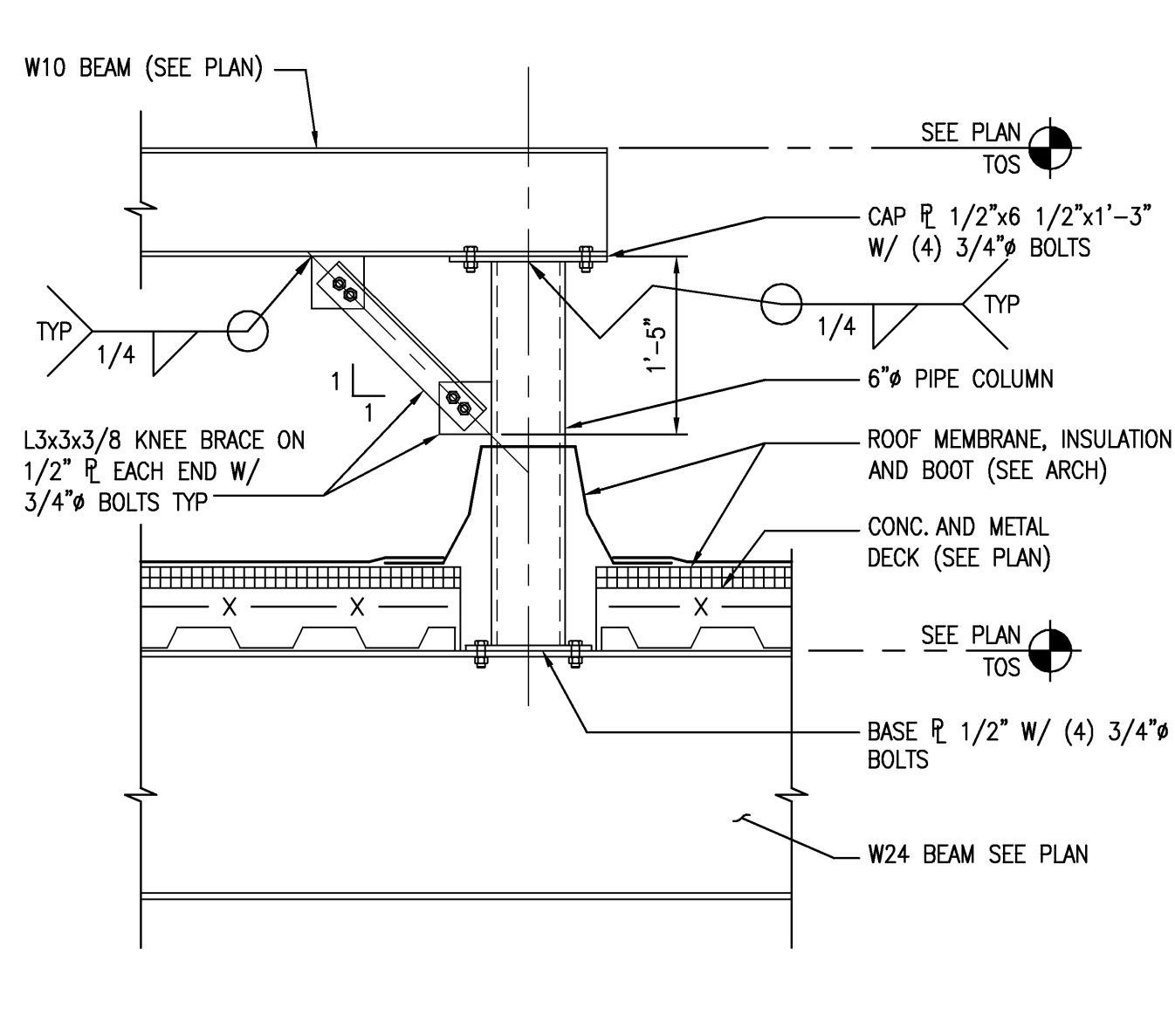
SECTION 14
SCALE: 3/4" = 1'-0"
S08.01



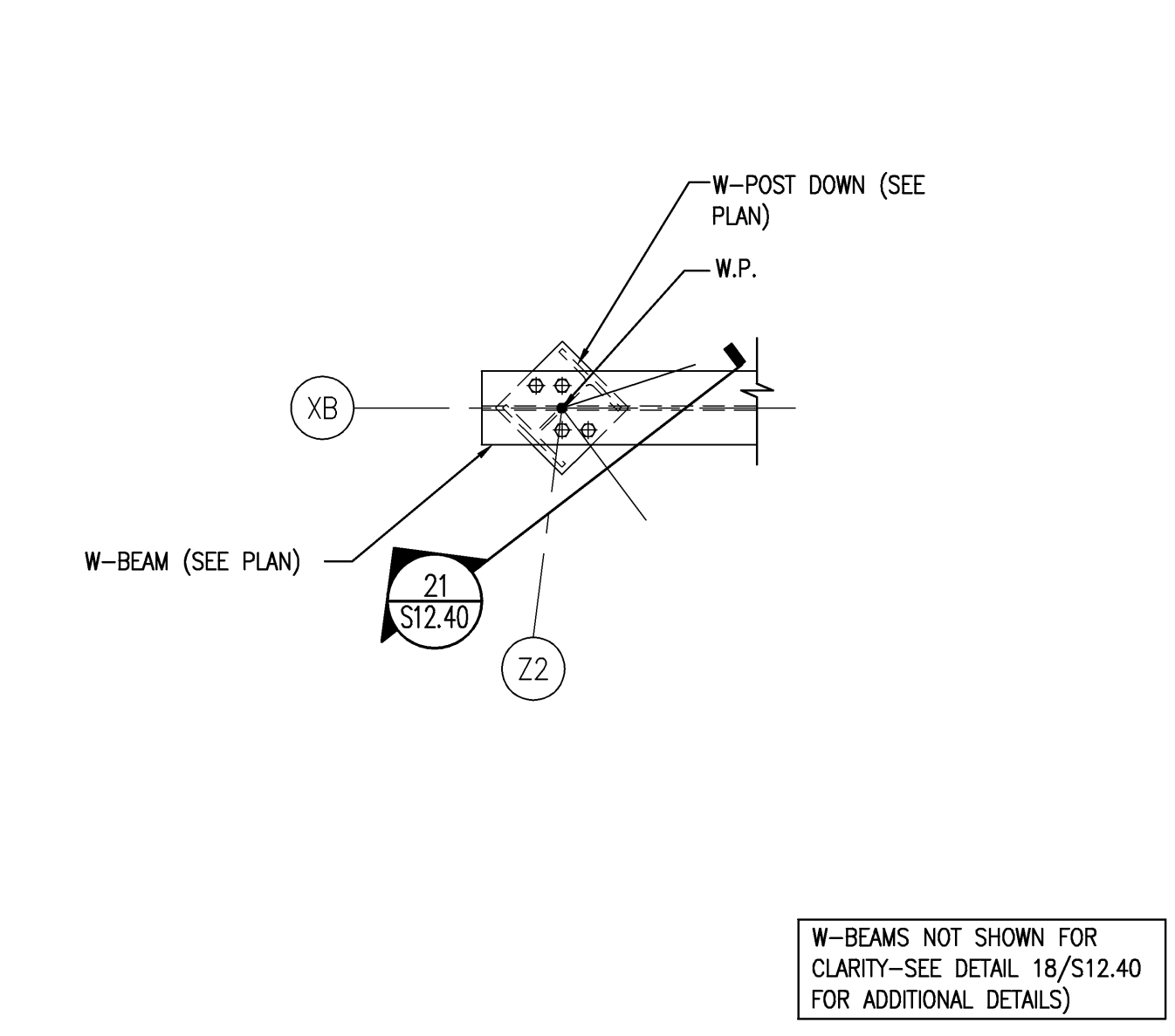
SECTION 9
SCALE: 3/4" = 1'-0"
S02.05.06



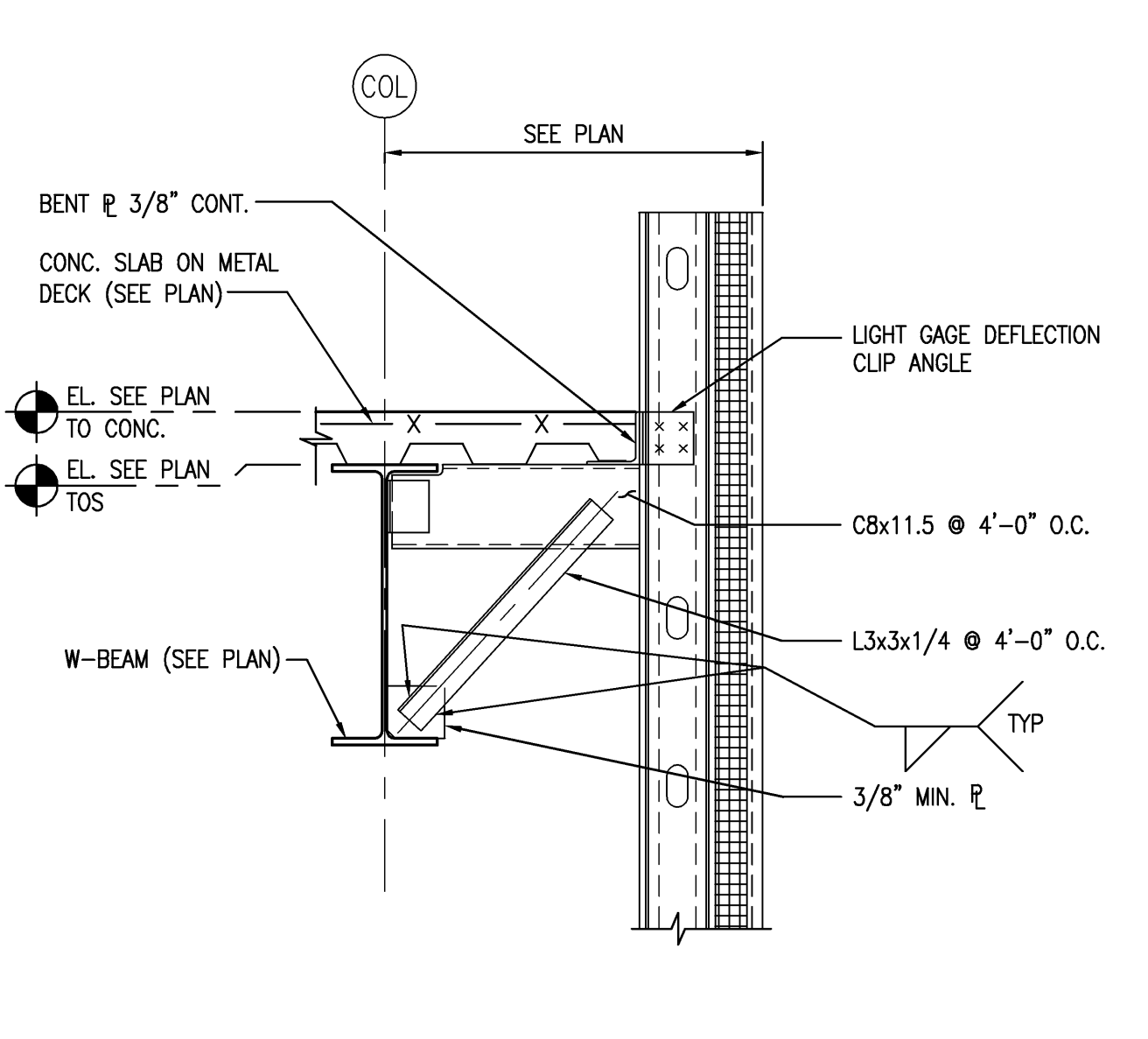
SECTION 4
SCALE: 3/4" = 1'-0"
S02.05.05



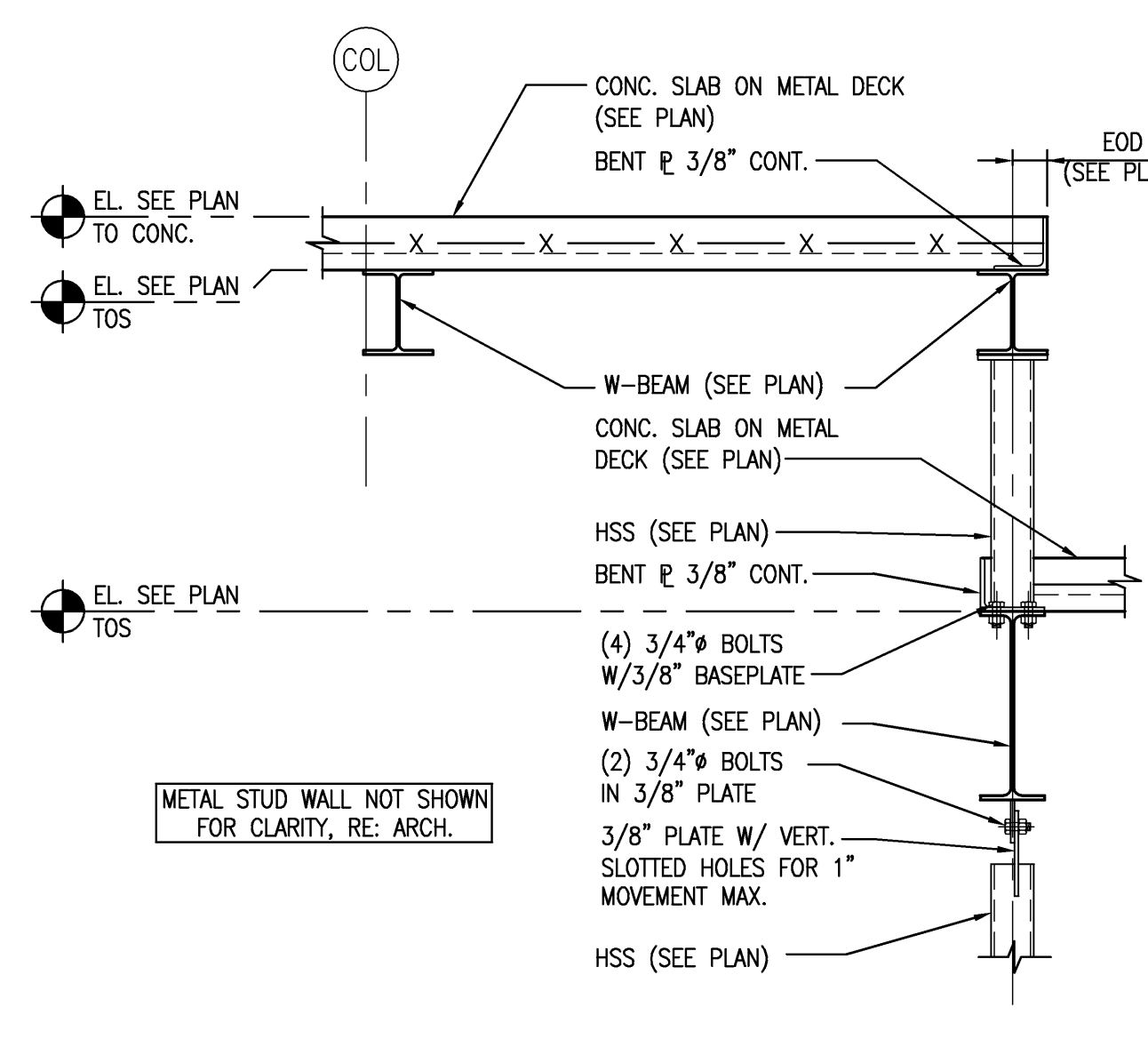
SECTION 23
SCALE: 3/4" = 1'-0"
S02.05.06



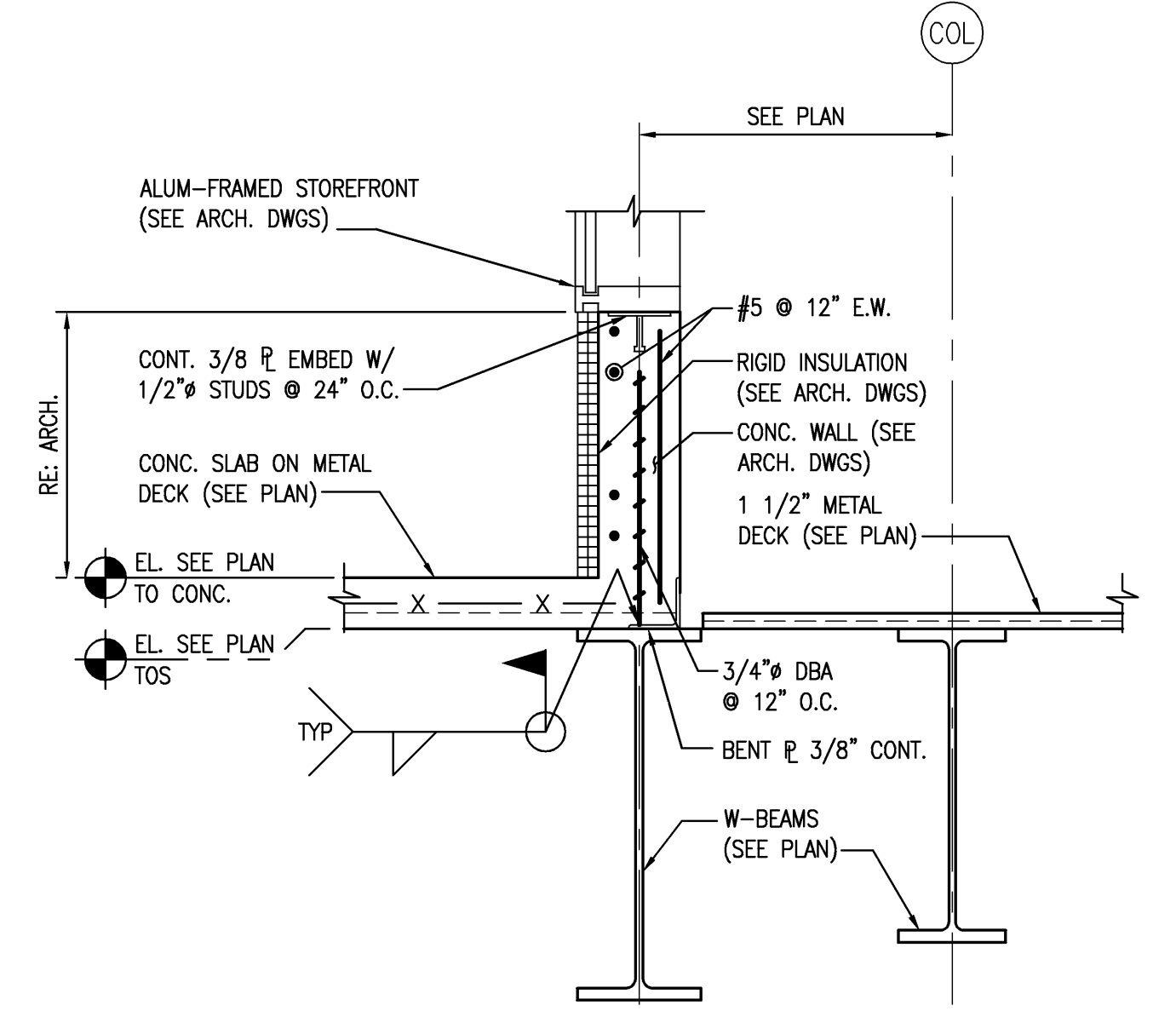
SECTION 19
SCALE: 3/4" = 1'-0"
S12.40



SECTION 15
SCALE: 3/4" = 1'-0"
S02.05.06



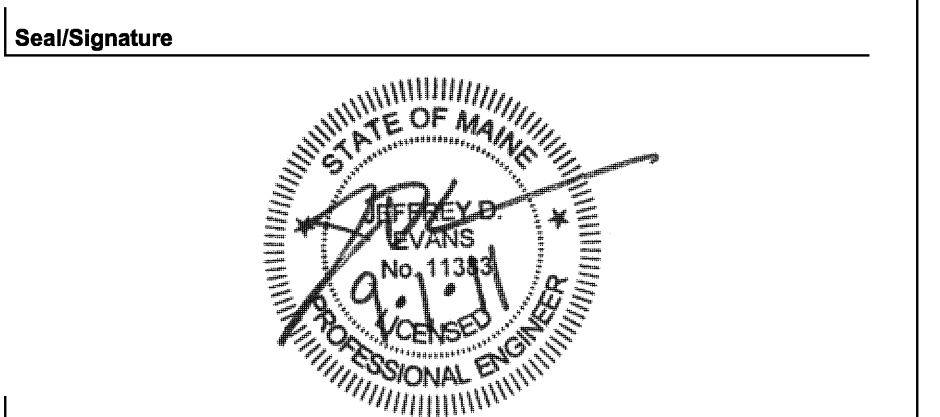
SECTION 10
SCALE: 3/4" = 1'-0"
S02.05.05



SECTION 5
SCALE: 3/4" = 1'-0"
S02.05.05

THESE DRAWINGS ARE ISSUED FOR CONSTRUCTION AND REFLECT ALL AMEC ISSUED BULLETINS AND SKETCHES.

Issue	Date & Issue Description	By	Check
-- 01	09/22/08 DESIGN DEVELOPMENT	.JDE	---
-- 02	12/03/08 75% CONSTRUCTION DOCUMENTS	.JDE	---
-- 03	01/23/09 95% CONSTRUCTION DOCUMENTS	.JDE	---
-- 04	10/26/09 ISSUED FOR PERMIT	.JDE	---
△ 05	01/12/10 BULLETIN #1	.JDE	---
△ 06	02/03/10 BULLETIN #5	.JDE	---
△ 07	05/03/10 BULLETIN #10	.JDE	---
△ 08	05/21/10 BULLETIN #4C	.JDE	---
145	09/09/11 ISSUED FOR CONSTRUCTION	.JDE	---



Project Name
PJM Terminal Enhancement

Project Number
08-8395-000

CAD File Name
T:\5330101\SHEETS\S12.40.DWG

Description
FRAMING SECTIONS & DETAILS - LEVEL 5

Scale
AS NOTED

S12.40