

**SHEET NOTES**

**Portland International  
Jetport**  
1001 Westbrook Street  
Portland, Maine 04102

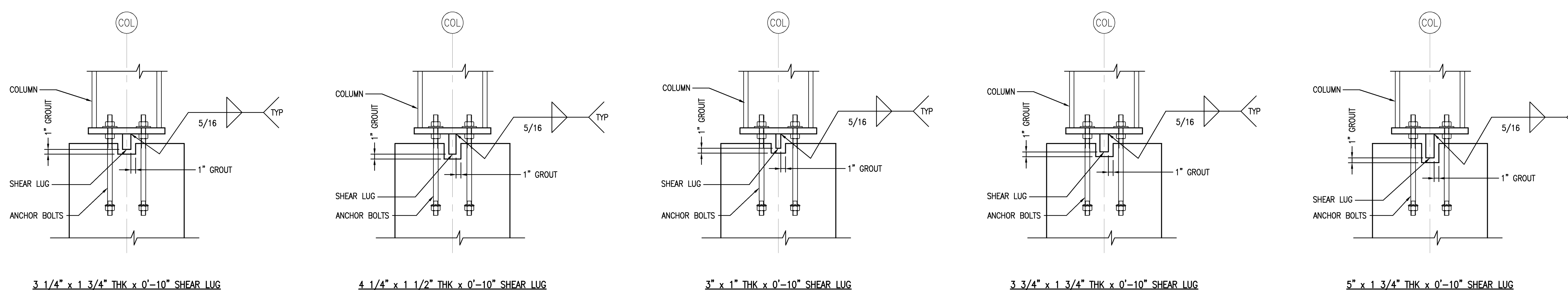
**Gensler**

**oest ASSOCIATES, INC.**  
343 Gorham Road, South Portland, ME 04106  
P: (207) 761-1770 F: (207) 774-1246 www.oest.com  
engineers • architects • surveyors • construction managers

**amec**

343 Gorham Road, South Portland ME 04106  
P: (207) 761-1770 F: (207) 774-1246 www.amec.com

2020 K Street, NW  
Suite 200  
Washington, DC 20006  
Telephone 202.721.5200  
Facsimile 202.872.8587



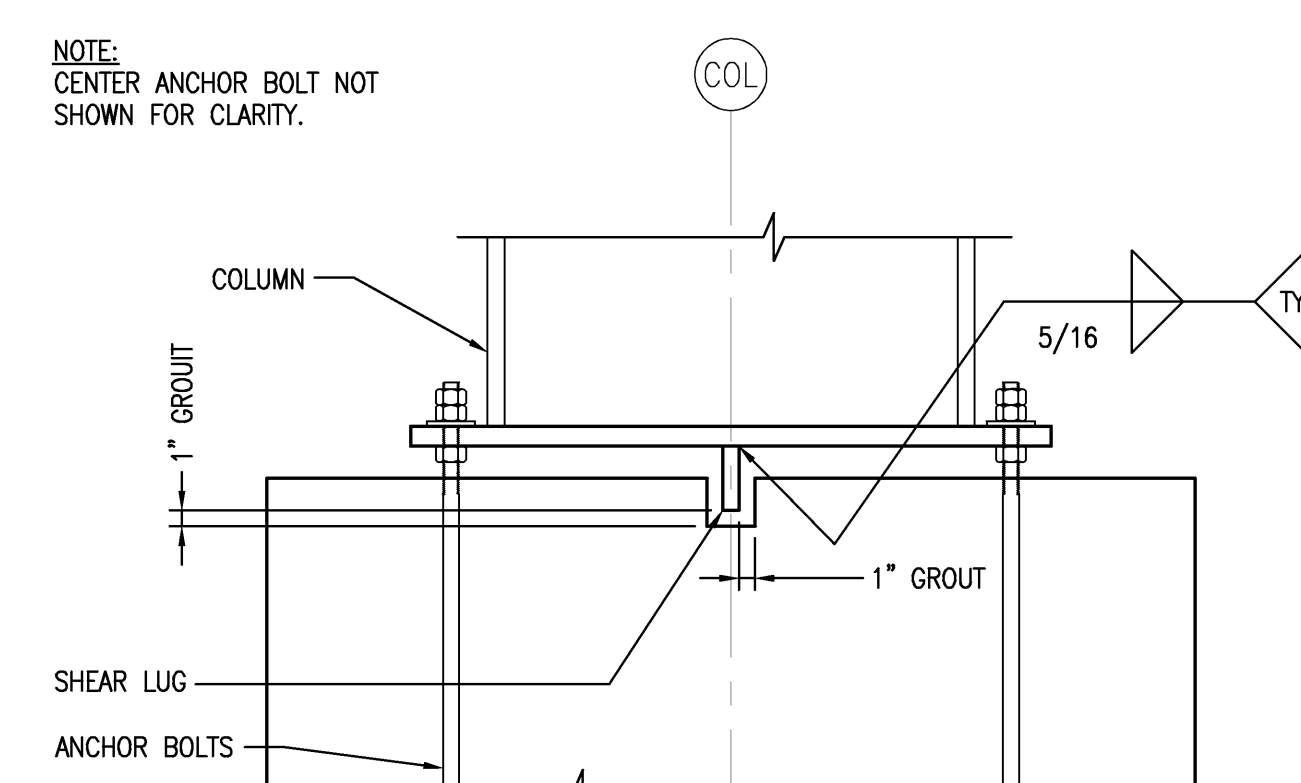
3 1/4" x 1 3/4" THK x 0'-10" SHEAR LUG

4 1/4" x 1 1/2" THK x 0'-10" SHEAR LUG

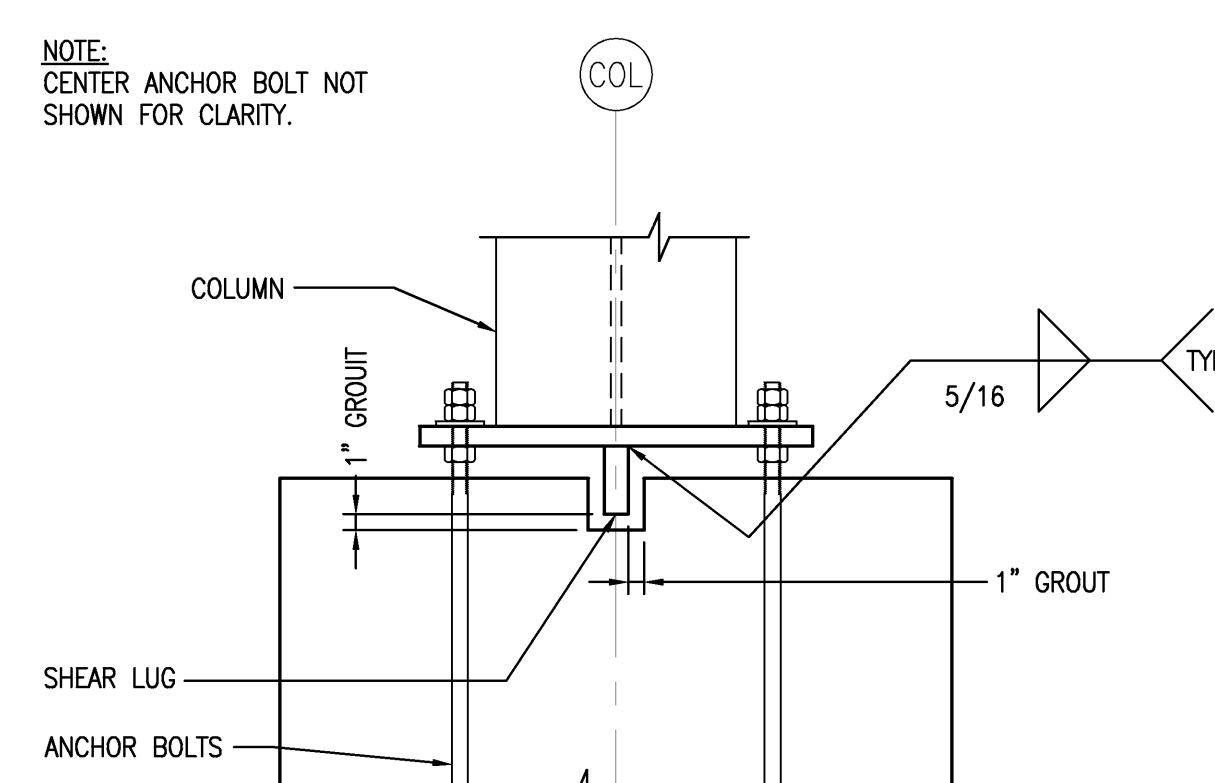
3" x 1" THK x 0'-10" SHEAR LUG

3 3/4" x 1 3/4" THK x 0'-10" SHEAR LUG

5" x 1 3/4" THK x 0'-10" SHEAR LUG



4" x 1" THK x 0'-10" SHEAR LUG



(2) 4" x 1" THK x 0'-4 1/2" SHEAR LUG

**BASE PLATE SECTIONS WITH SHEAR LUGS**

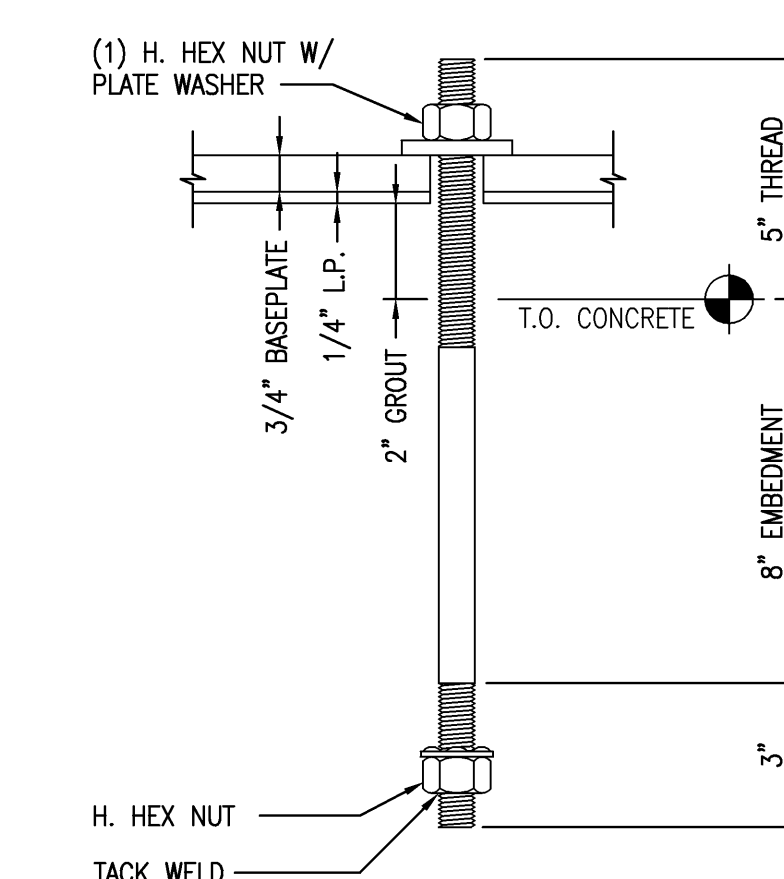
SCALE: 1" = 1'-0"

**5**

**3/4"Ø ANCHOR RODS**

SCALE: 3" = 1'-0"

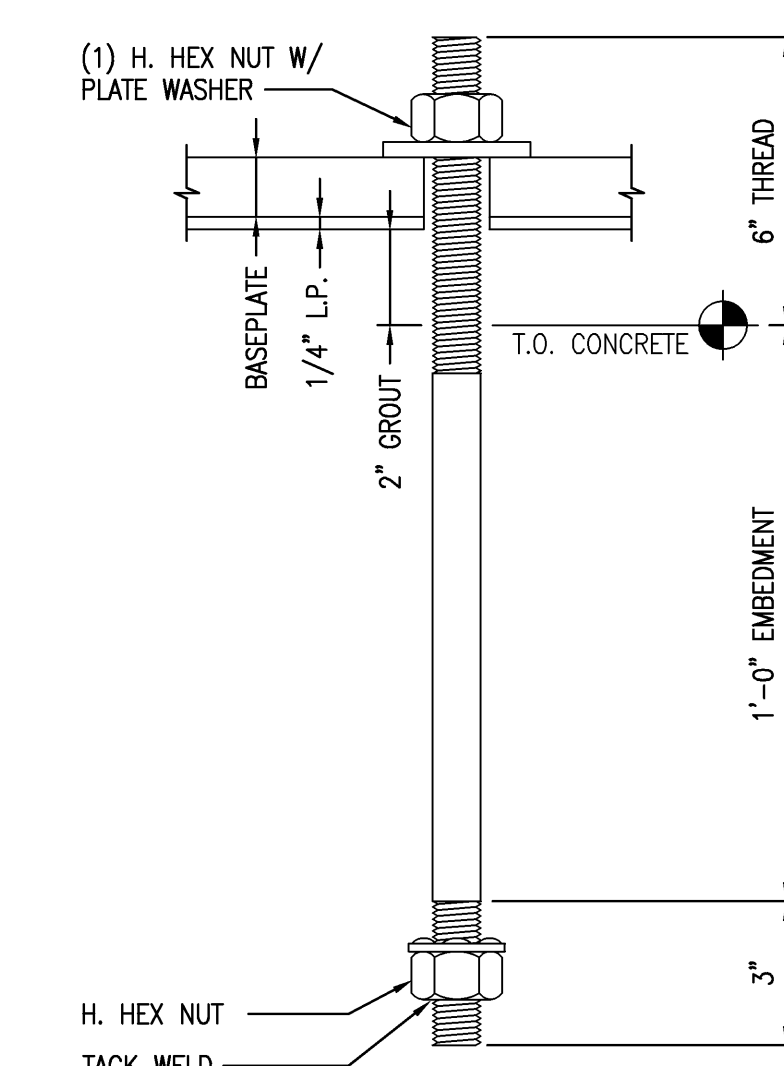
**1**



**3/4"Ø ANCHOR RODS**

SCALE: 3" = 1'-0"

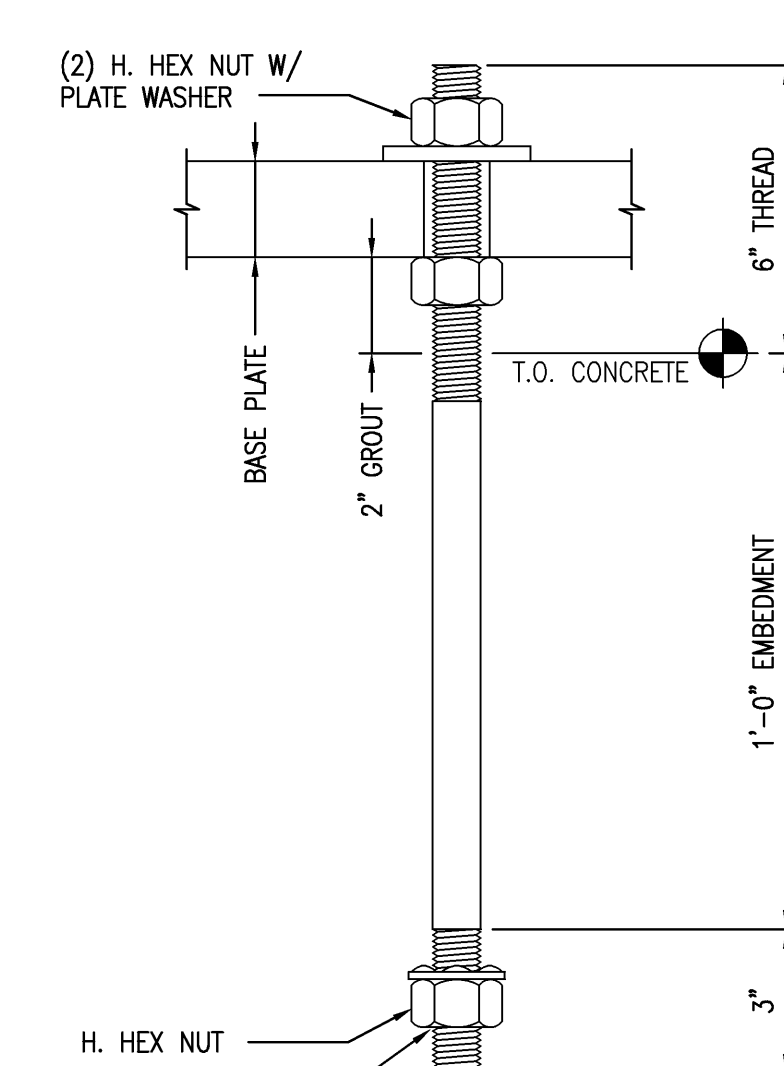
**1**



**1"Ø ANCHOR RODS**

SCALE: 3" = 1'-0"

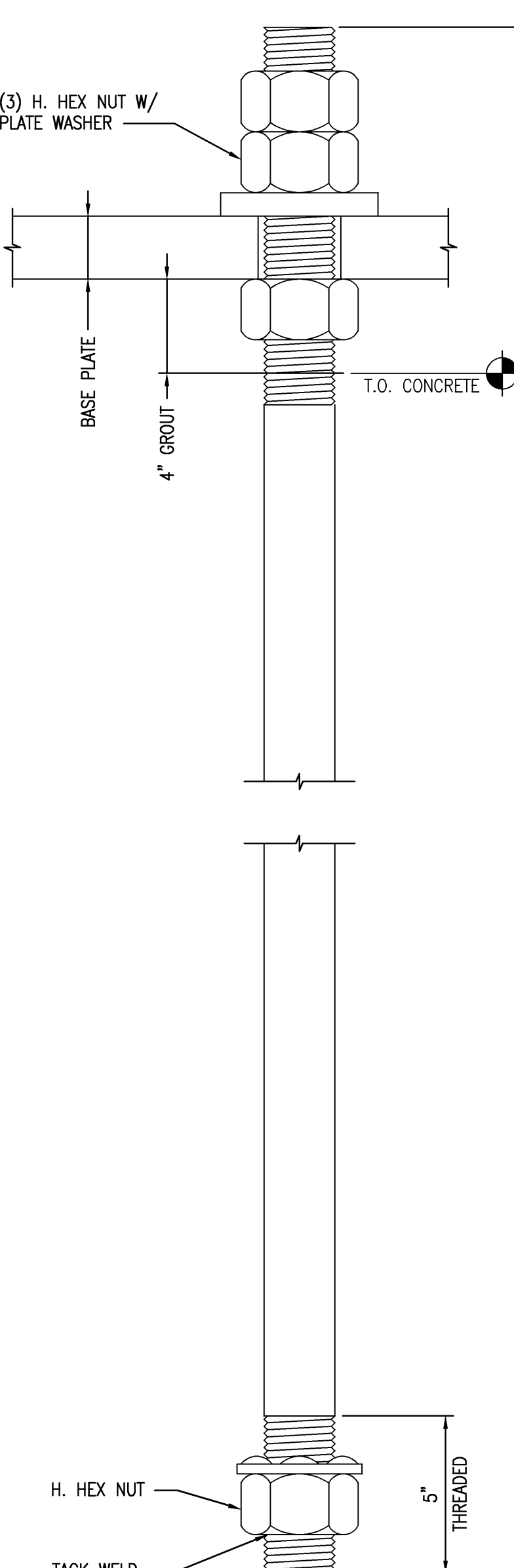
**2**



**1"Ø ANCHOR RODS W/ SHEAR LUG**

SCALE: 3" = 1'-0"

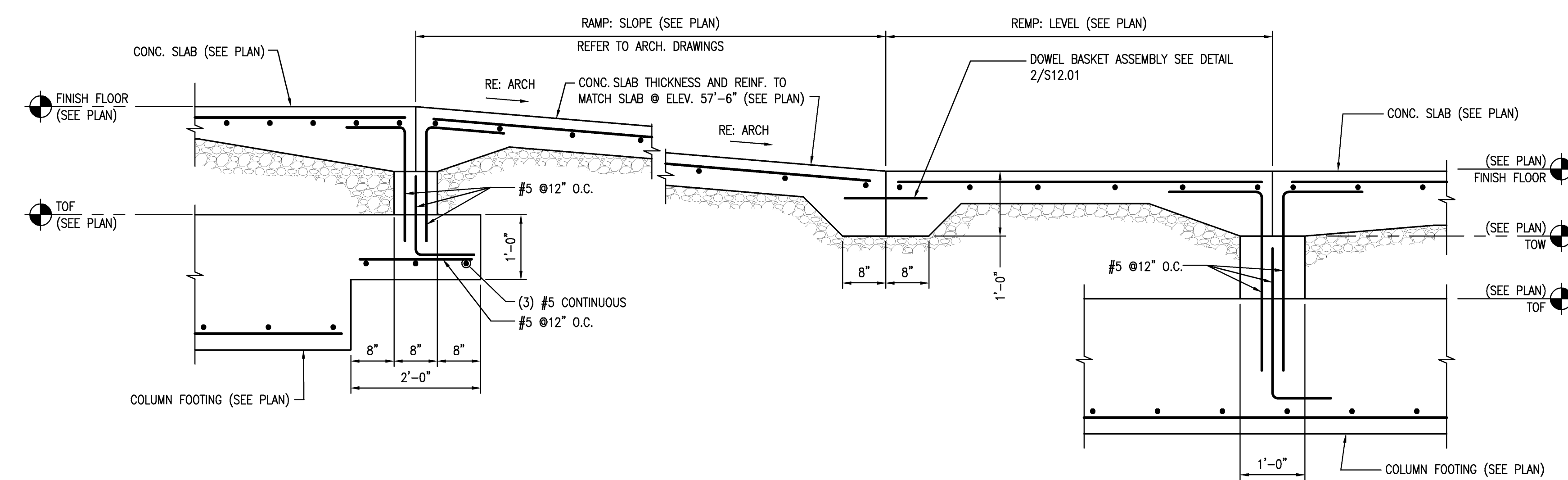
**3**



**2 1/4"Ø ANCHOR RODS @ ROTUNDA**

SCALE: 3" = 1'-0"

**4**

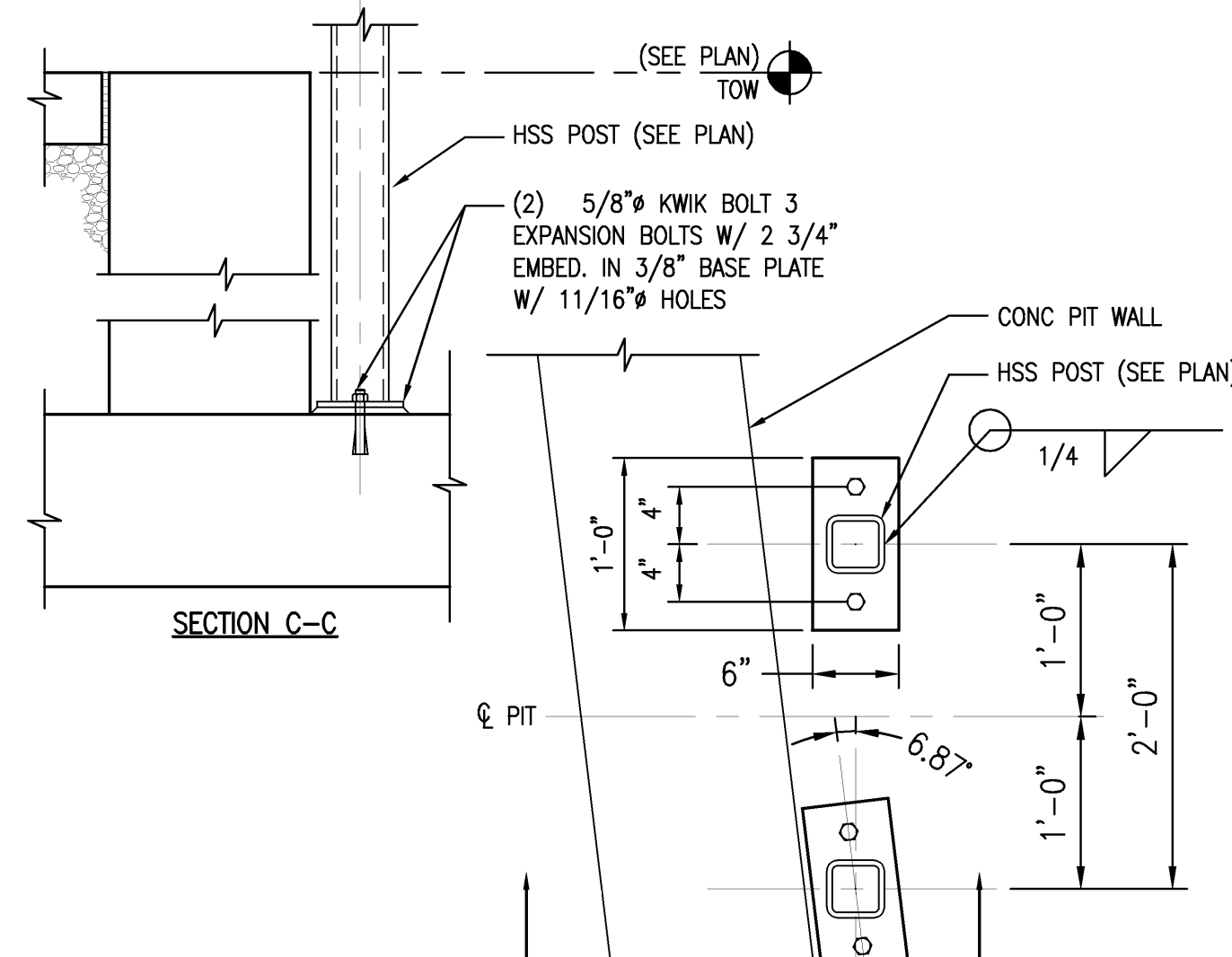


**SECTION THROUGH RAMP**

SCALE: 3/4" = 1'-0"

S02.01.05

**8**

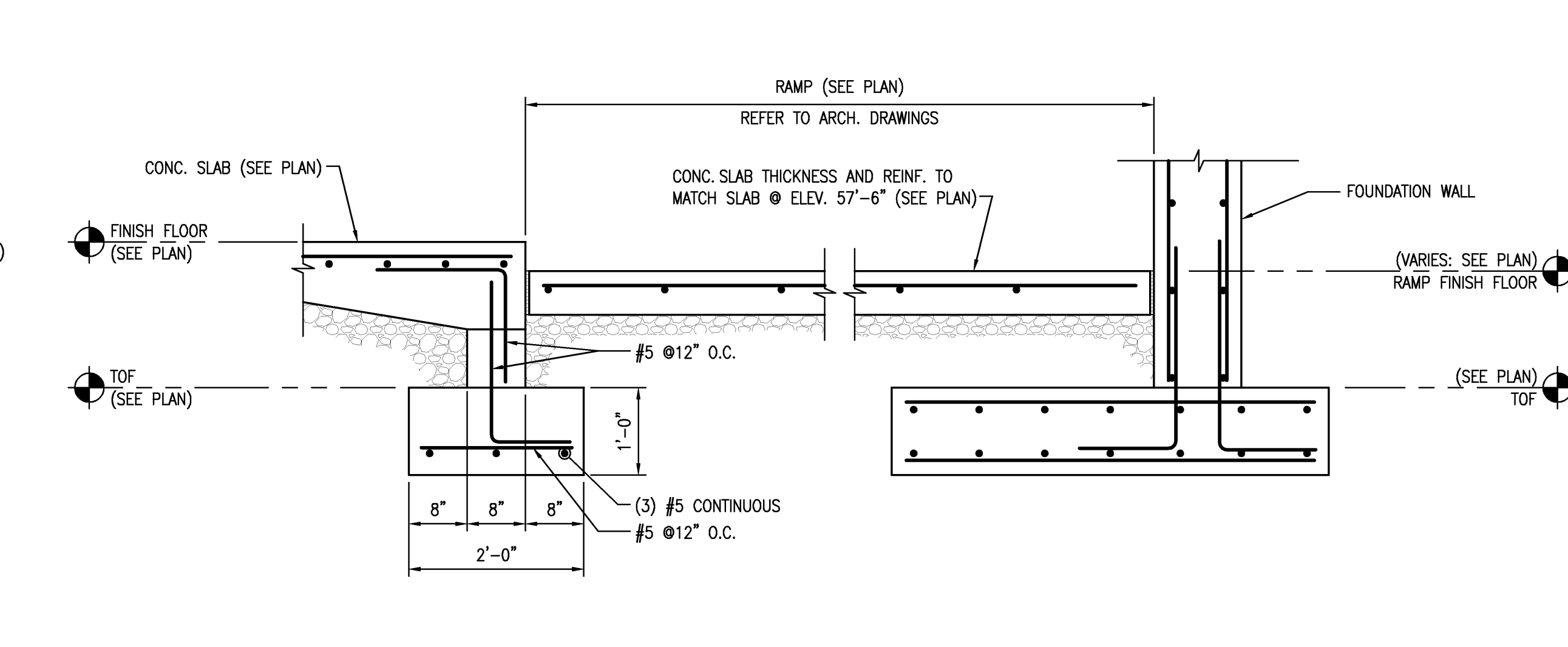


**DETAIL AT ELEVATOR 4&5 PIT**

SCALE: 1" = 1'-0"

S02.01.05

**12**

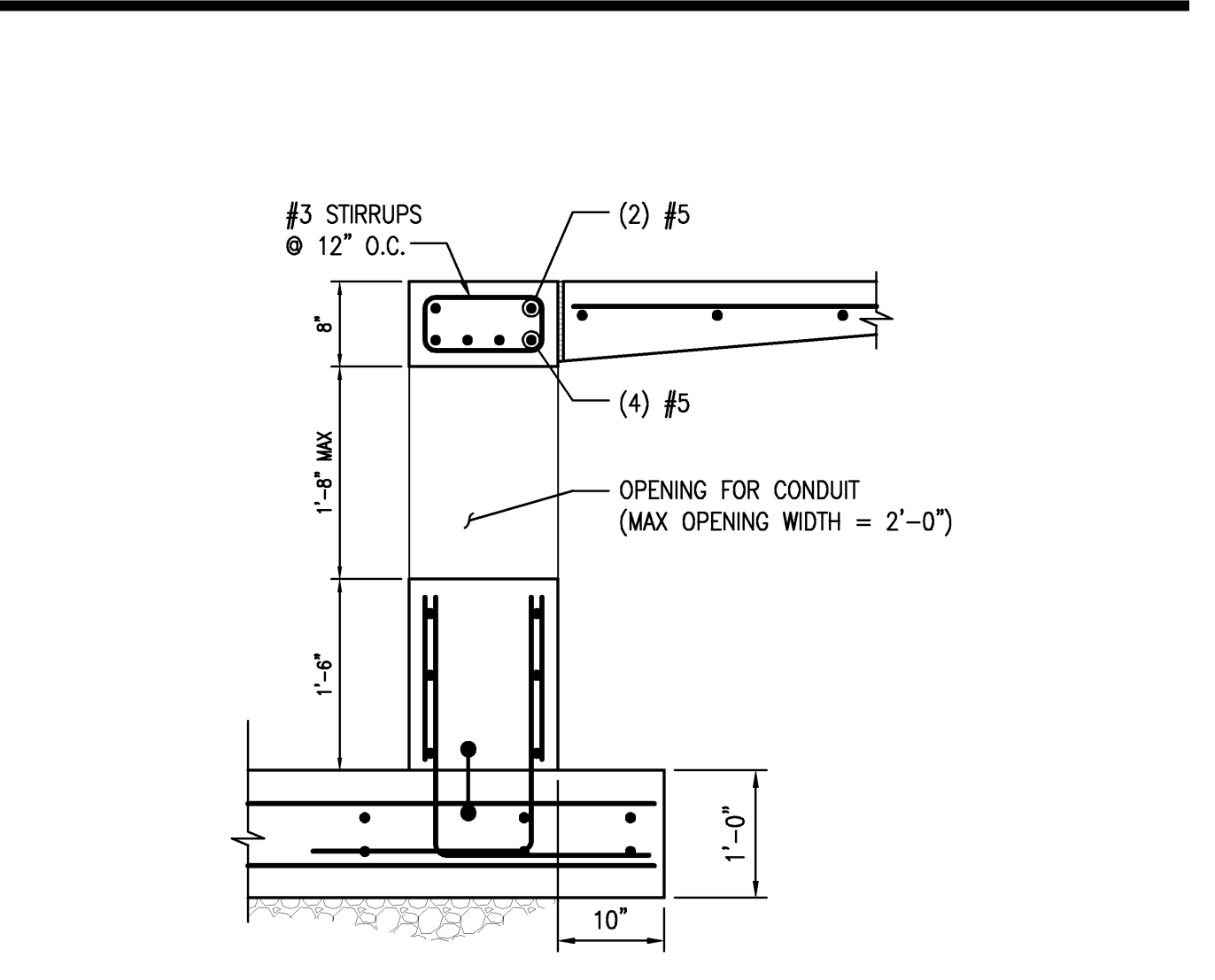


**SECTION THROUGH RAMP**

SCALE: 3/4" = 1'-0"

S02.01.05

**9**

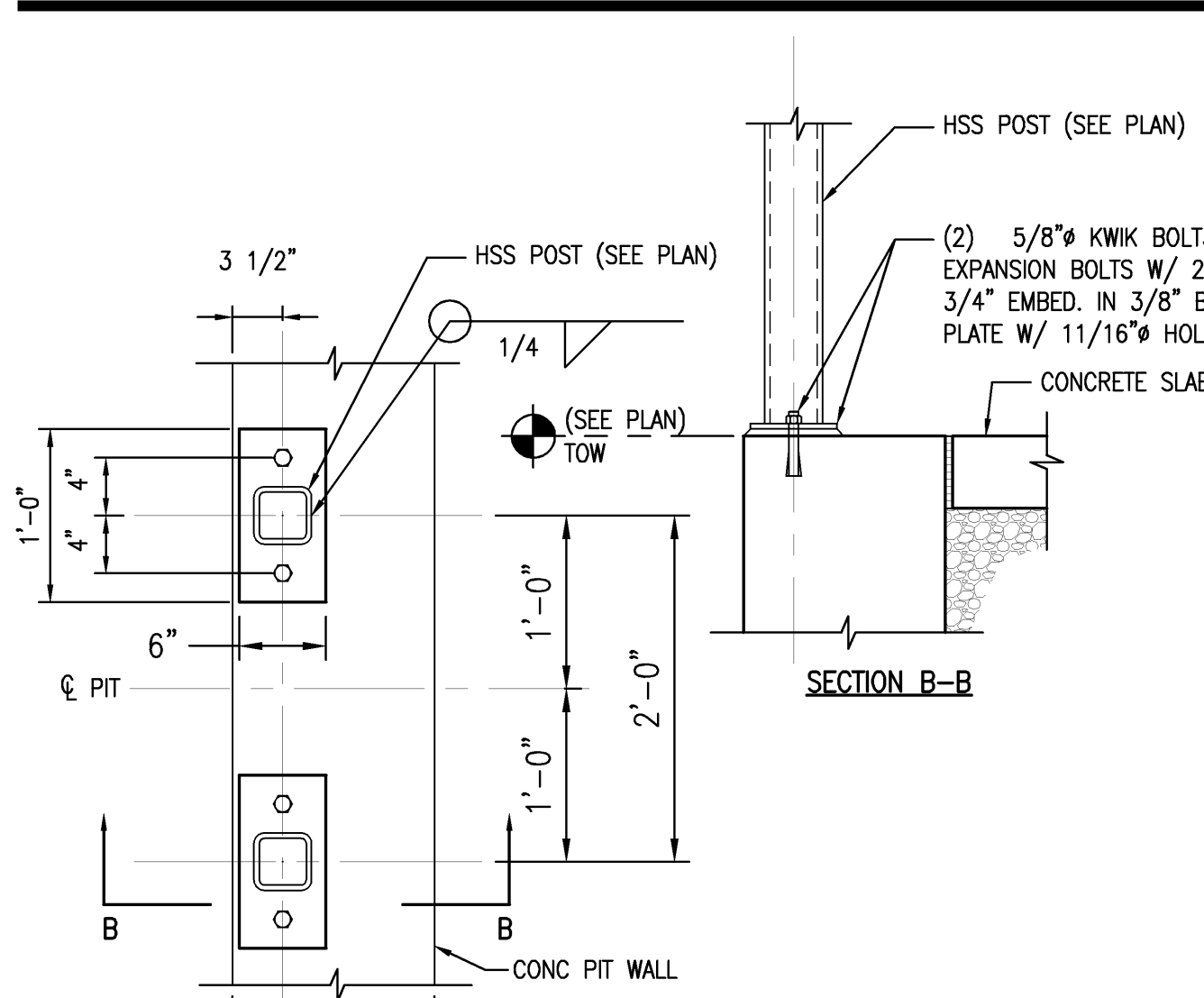


**ELEV 4&5 EAST WALL SECTION**

SCALE: 3/4" = 1'-0"

S02.01.05

**13**

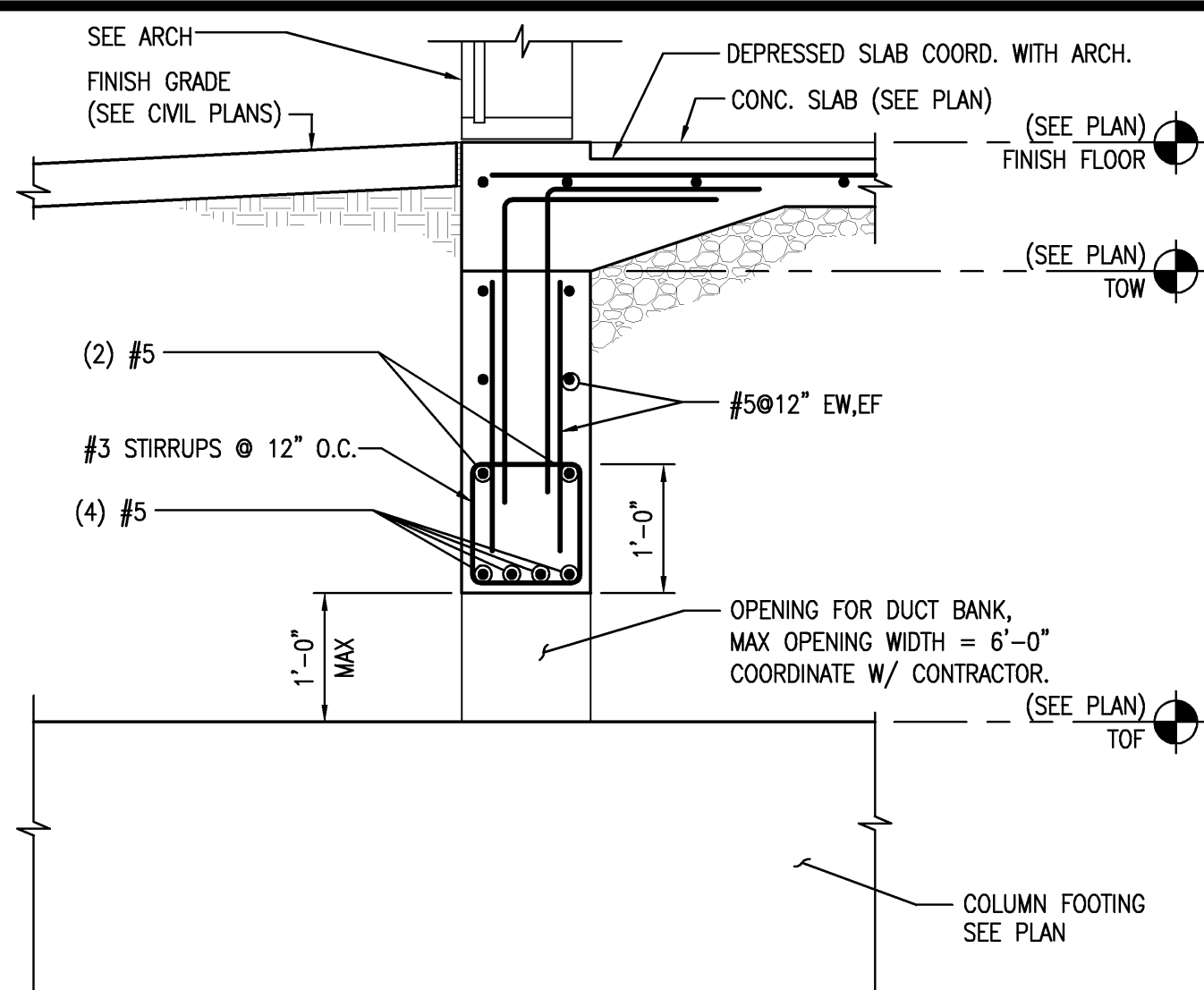


**DETAIL AT ELEVATOR 4&5 PIT**

SCALE: 1" = 1'-0"

S02.01.05

**11**

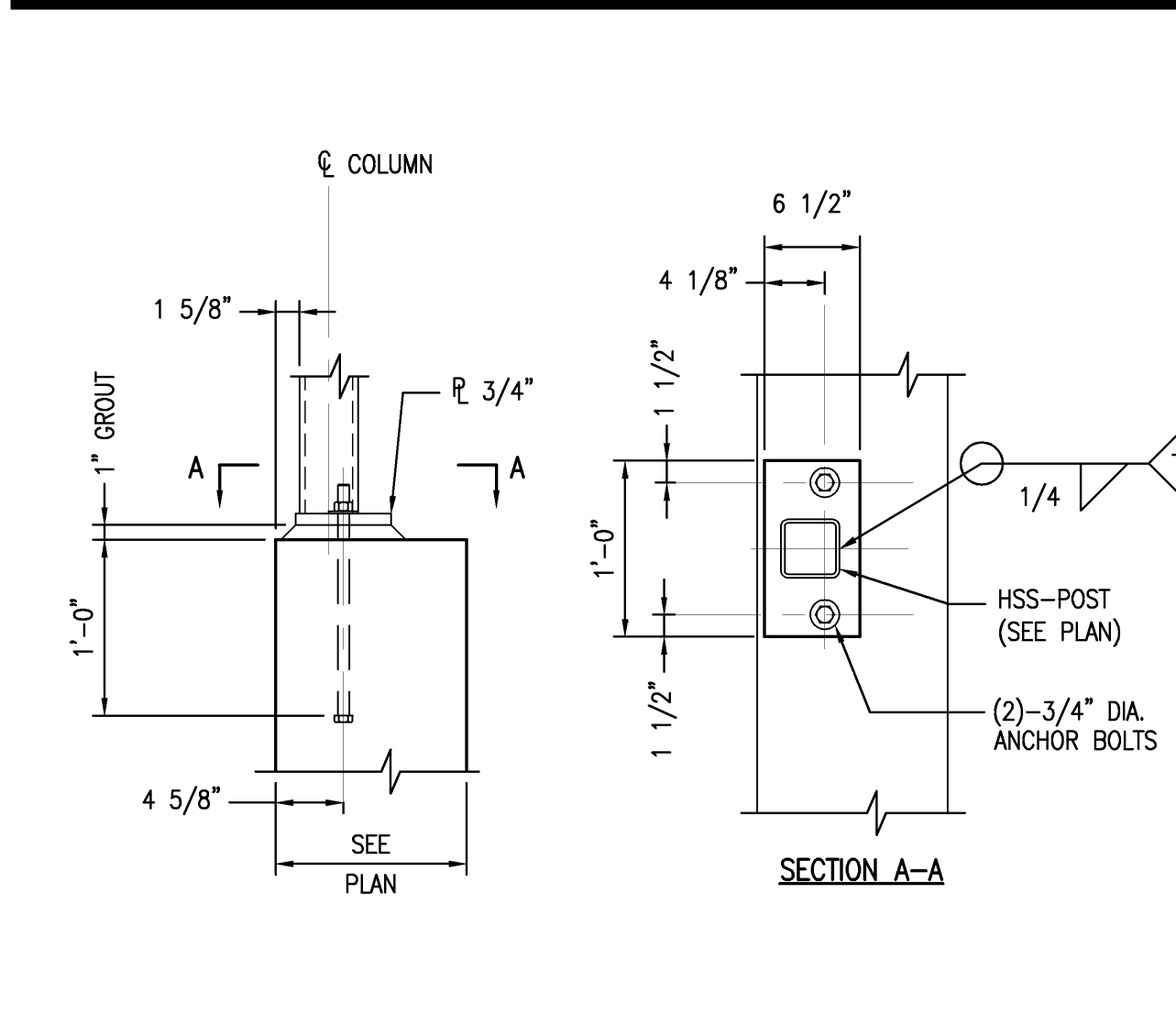


**WALL SECTION @ DUCT BANK**

SCALE: 3/4" = 1'-0"

S02.01.05

**10**



**SECTION AT ELEVATOR #8 PIT**

SCALE: 1" = 1'-0"

**7**

**1 1/2"Ø ANCHOR RODS**

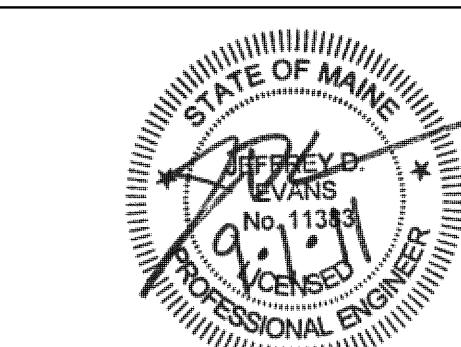
SCALE: 3" = 1'-0"

**6**

THESE DRAWINGS ARE ISSUED FOR CONSTRUCTION AND REFLECT ALL AMEC ISSUED BULLETINS AND SKETCHES.

Issue	Date & Issue Description	By	Check
-- 01	10/26/09	JDE	--
02	02/03/10	JDE	--
03	02/05/10	JDE	--
04	09/01/11	JDE	--

See/Signature



Project Name  
PJM Terminal Enhancement

Project Number  
09.8395.000  
CAD File Name  
T:\5330101\SHEETS\S12.14.DWG  
Description  
MSC. SECTIONS & DETAILS

Scale  
AS NOTED

**S12.14**

©2009 Gensler