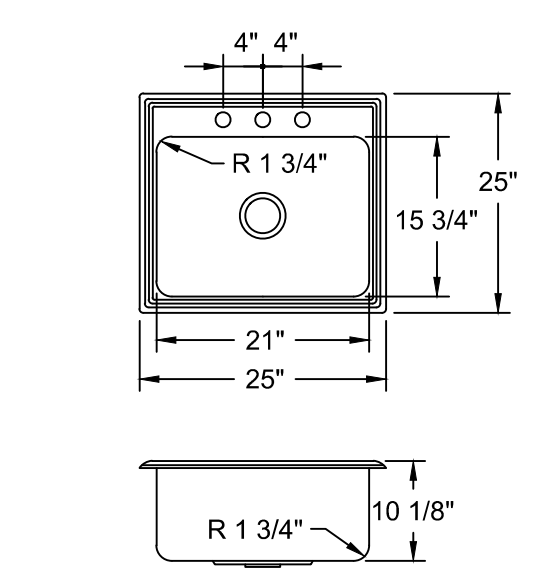
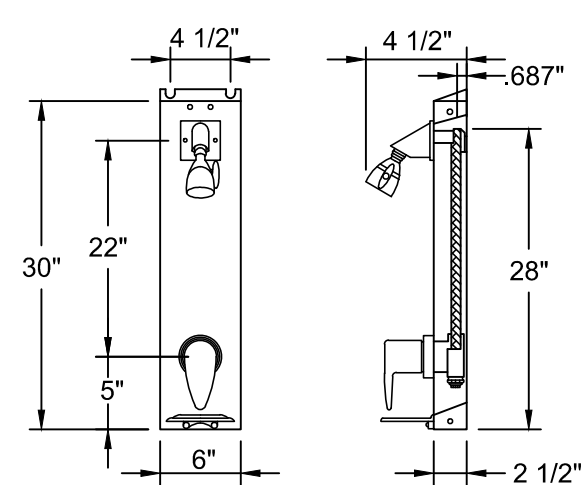


SHOWER BASE

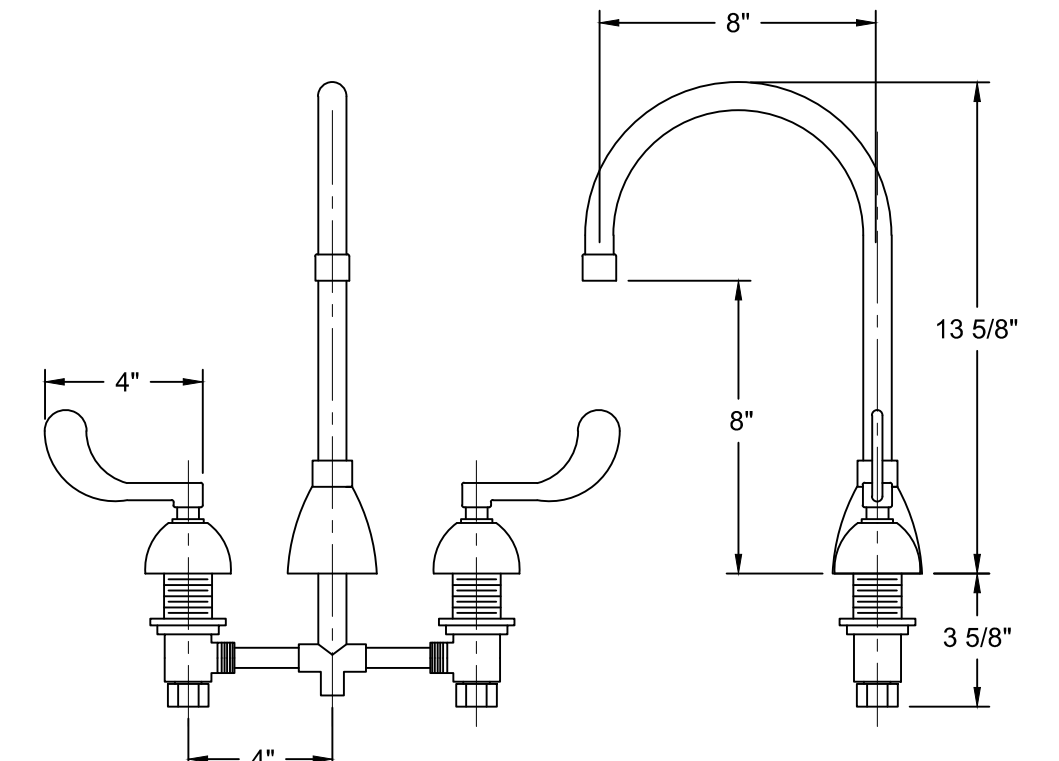
DETAIL - P-7
SCALE: NOT TO SCALE **1**

WALL MOUNTED SHOWER SYSTEM



SINGLE BOWL SINK

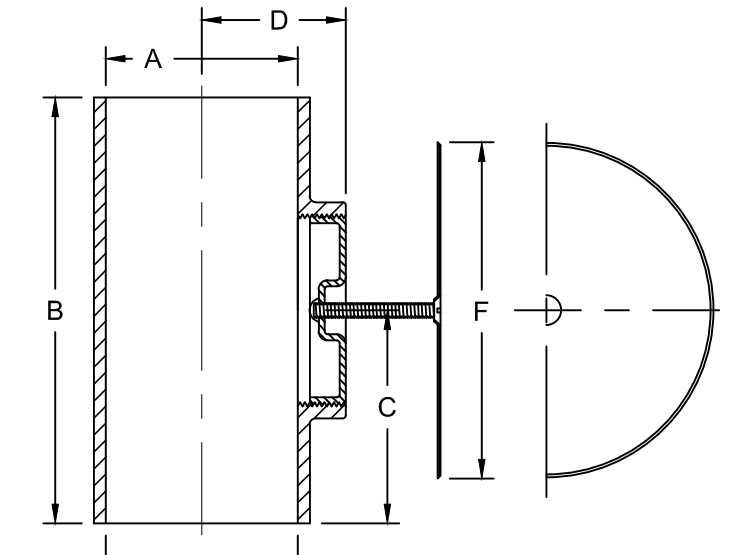
DETAIL - P-8
SCALE: NOT TO SCALE **2**



MANUAL FAUCETS

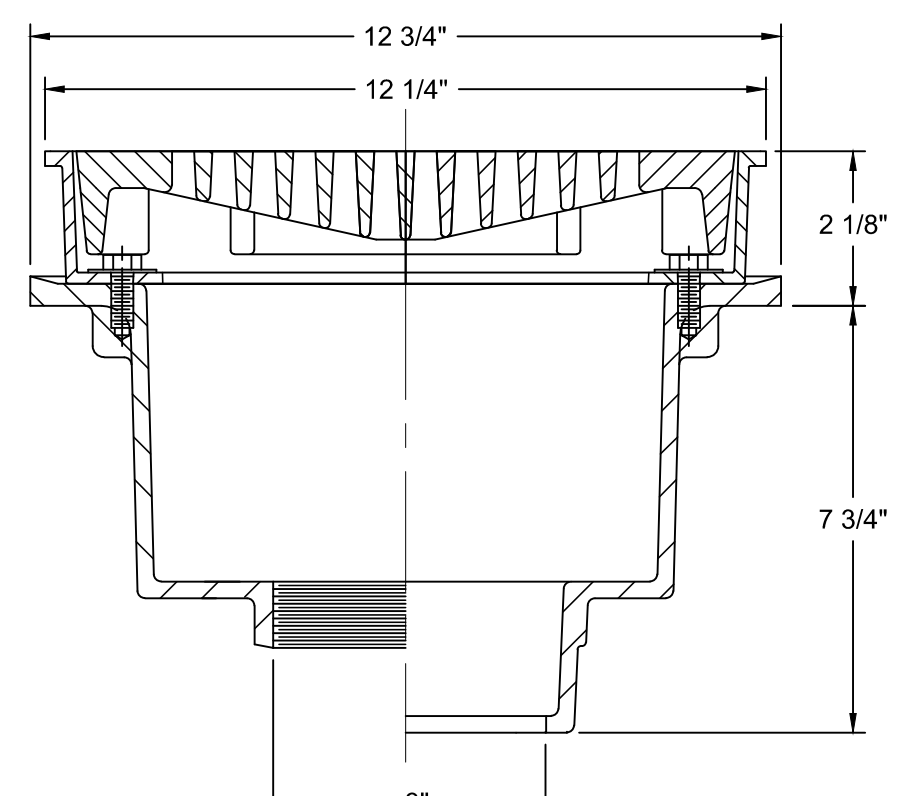
A - PIPE SIZE	B	C	D	F
2"	6 3/8"	3 3/16"	1 3/4"	5"
3"	7 3/4"	3 7/8"	2 1/2"	5"
4"	8 7/8"	4 7/16"	3"	7"
5"	12 1/2"	6 1/4"	4 5/16"	9"
6"				

NH NO HUB



CLEANOUT W/ ROUND WALL ACCESS COVER

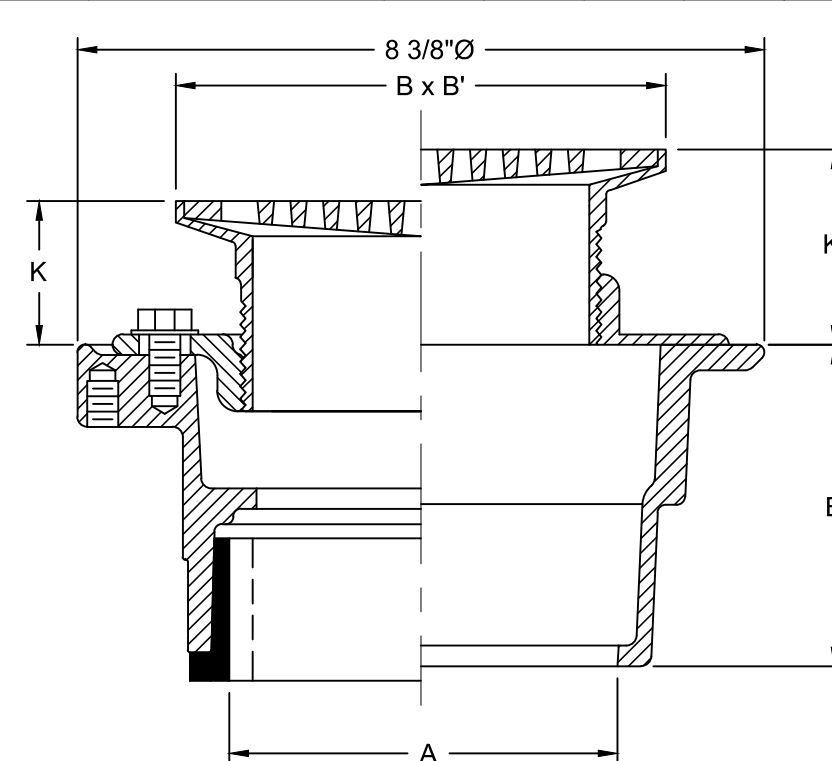
DETAIL - WCO
SCALE: NOT TO SCALE **3**



HEAVY-DUTY DRAIN W/ TRACTOR GRATE

DETAIL - FD-1
SCALE: NOT TO SCALE **4**

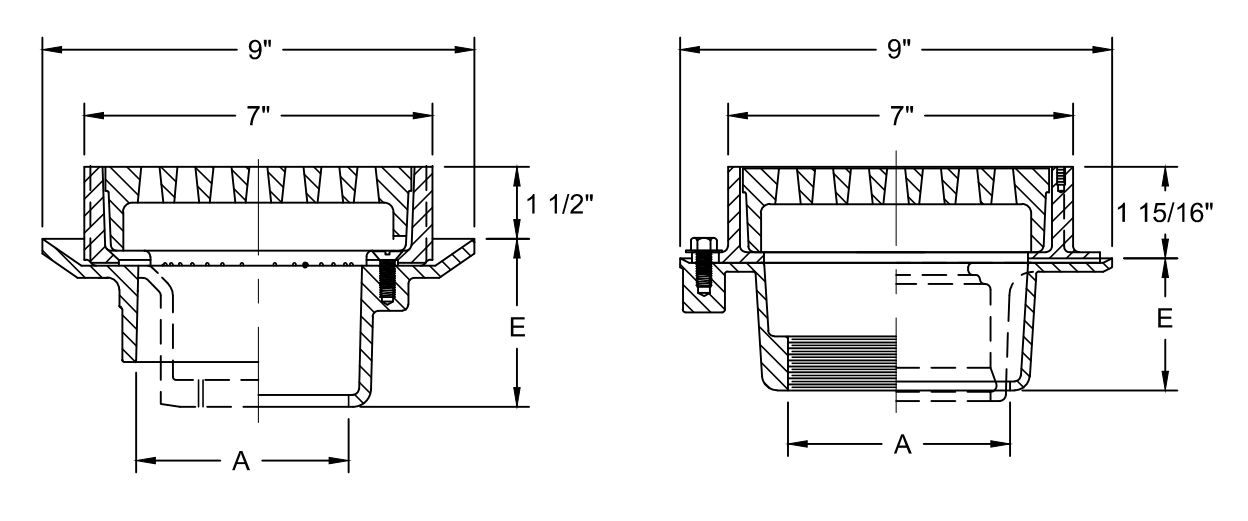
STRAINER DESIGNATION	A PIPE SIZE	B x B" STRAINER TOP SIZE	K MIN.	K MAX.	STRAINER OPEN AREA SQ. IN.		
FD-2	2", 3", 4"	6" x 6"	1"	1 7/8"	1 5/8"	2 7/8"	13
FD-4	3", 4"	8" x 8"	1 1/4"	2 5/8"	2"	3 1/2"	24 1/2



BODY ASSEMBLY W/ TYPE SS STRAINER

DETAIL - FD-2 & FD-4
SCALE: NOT TO SCALE **5**

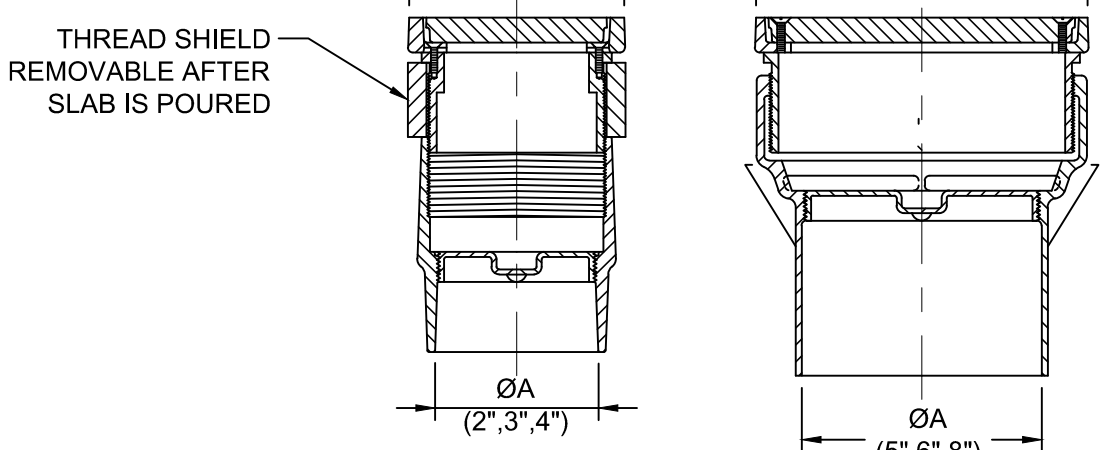
A PIPE SIZE	APPROX. WT. LBS.	GRATE OPEN AREA SQ. IN.
2", 3", 4"	15	9



MEDIUM DUTY DRAIN

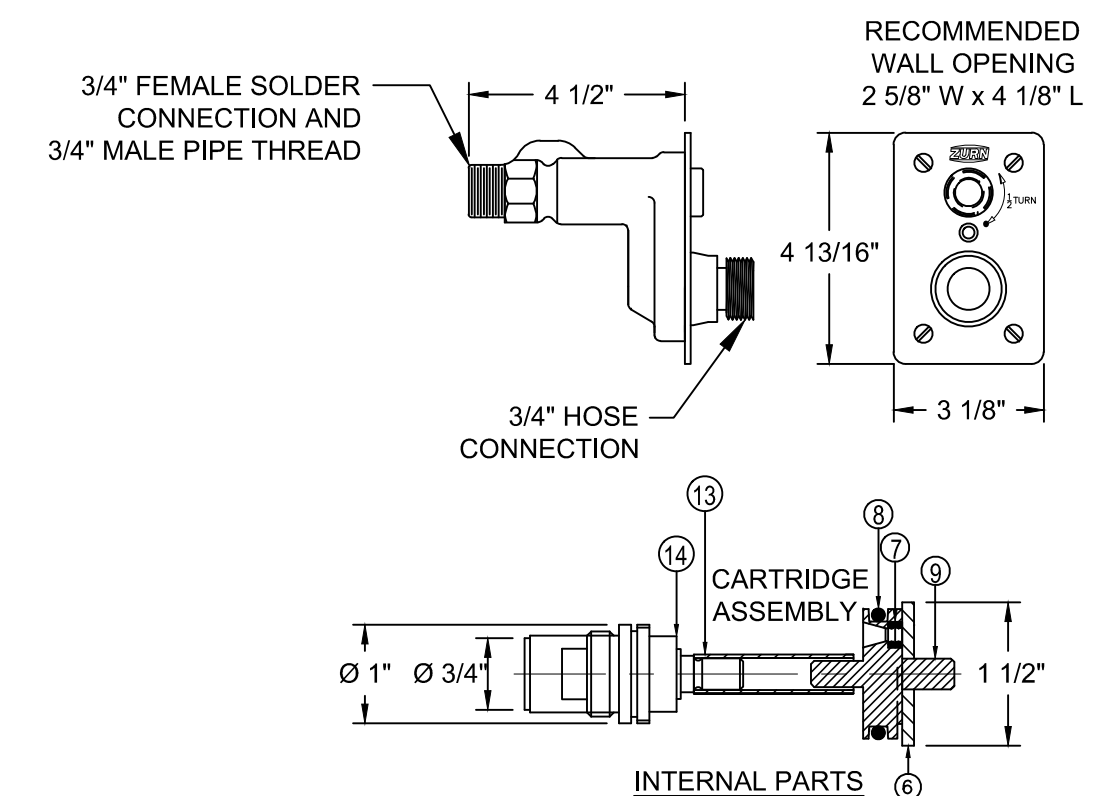
DETAIL - FD-3
SCALE: NOT TO SCALE **6**

A - PIPE SIZE INSIDE CAULK	C	E	APPROX. WT. LBS.
2"	6 1/8"	6 7/8"	13.8
3"	6 1/8"	6 7/8"	14
4"	7 1/4"	6 7/8"	16.3
5"	8 1/4"	6 7/8"	22.6
6"	9 1/4"	6 7/8"	32.2

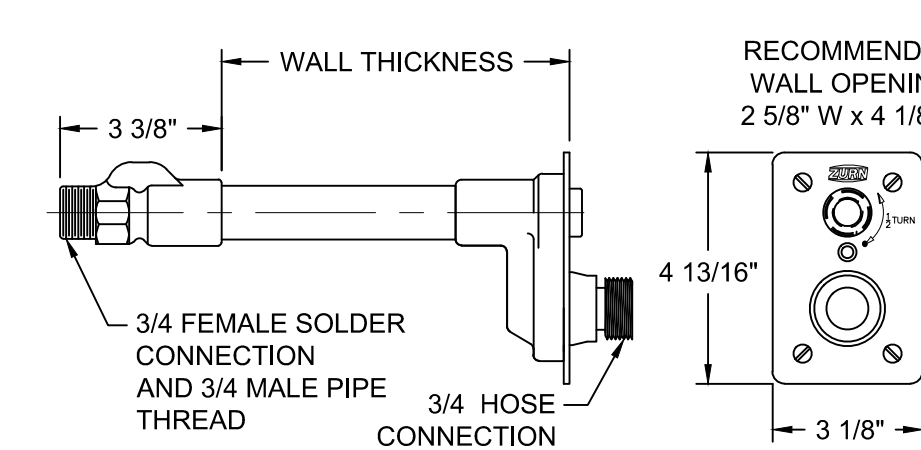


ADJUSTABLE FLOOR CLEANOUT

DETAIL - FCO
SCALE: NOT TO SCALE **7**

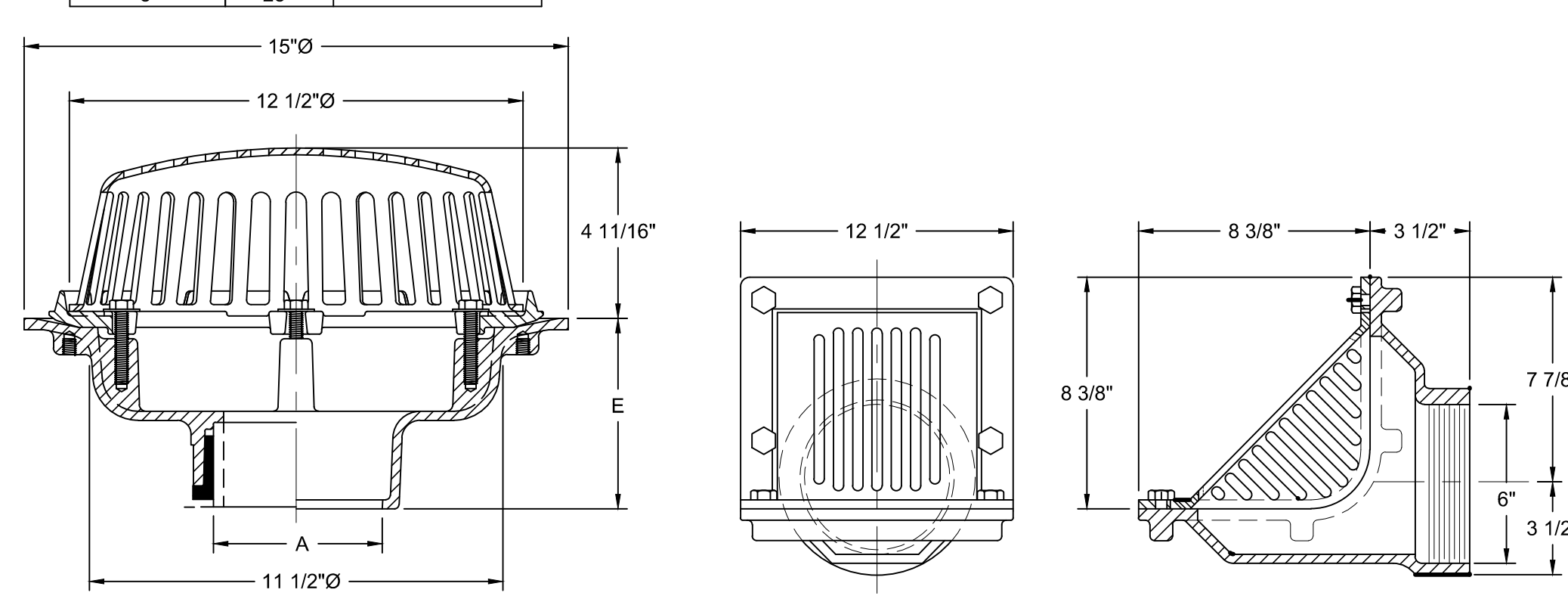


DETAIL - HB
SCALE: NOT TO SCALE **8**



DETAIL - NFHB
SCALE: NOT TO SCALE **9**

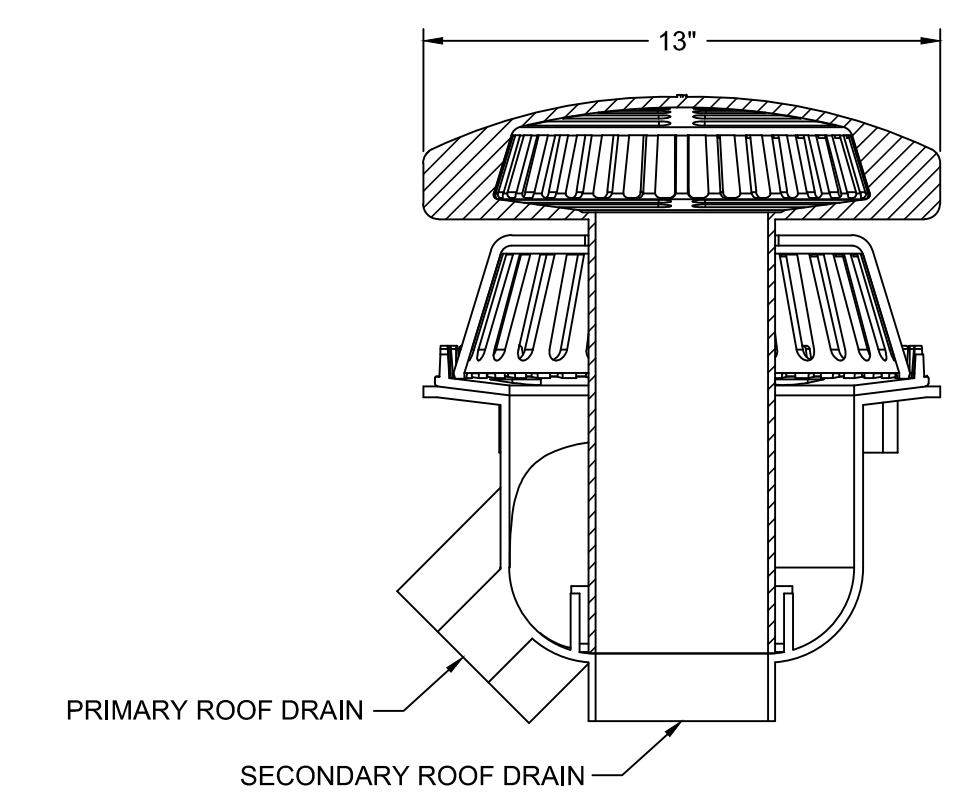
A PIPE SIZE	APPROX. WT. LBS.	DOME OPEN AREA SQ. IN.
2", 3", 4"	26	
5", 6"	27	103
8"	28	



MAIN ROOF DRAIN RD-1

OBLIQUE SCUPPER DRAIN RD-2

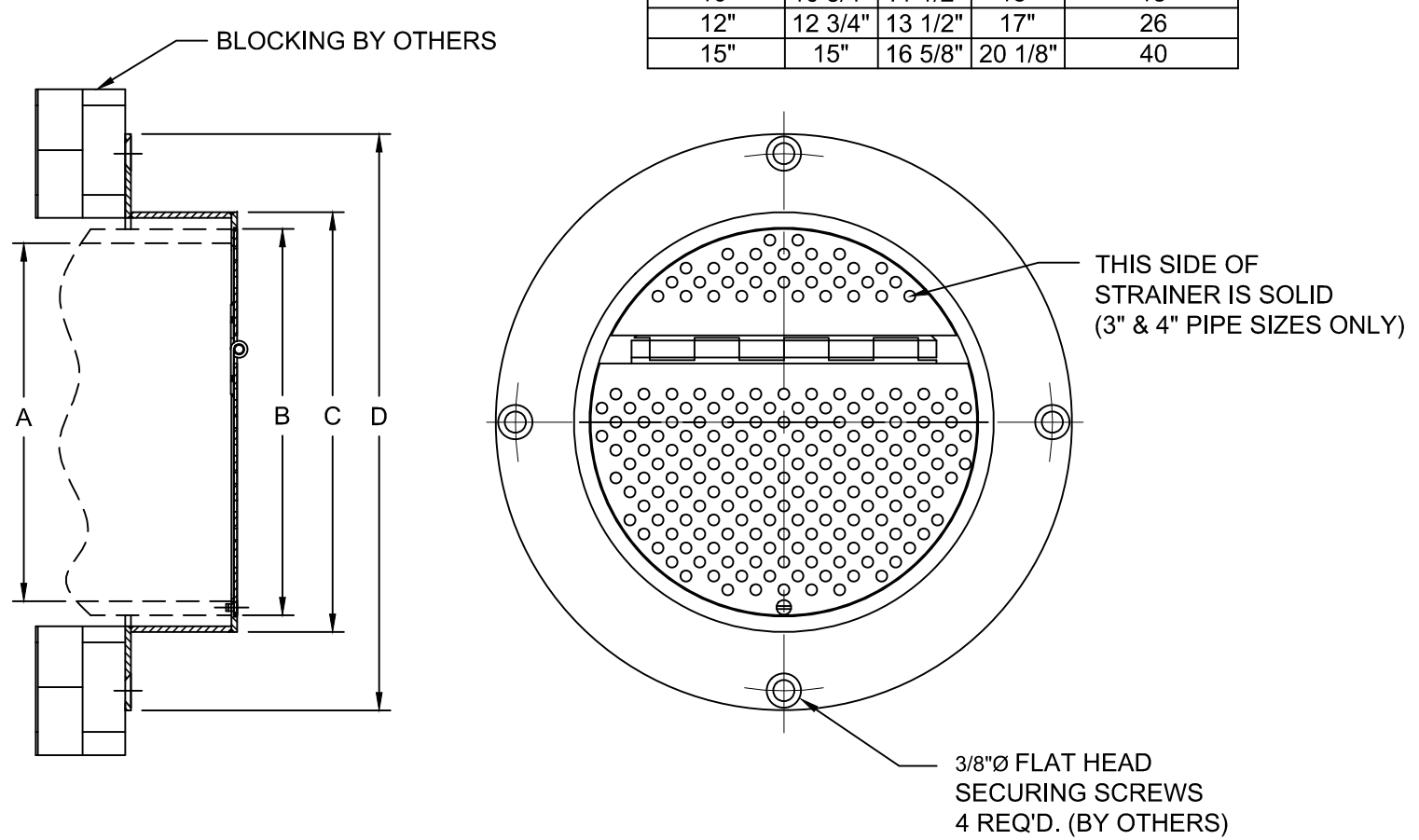
DETAIL - RD-1 & RD-2
SCALE: NOT TO SCALE **10**



PRIMARY/SECONDARY ROOF DRAIN

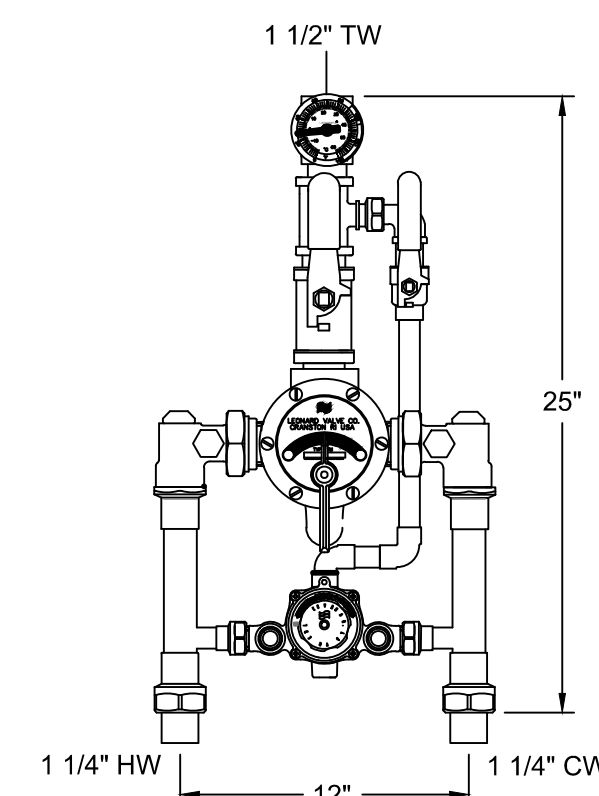
DETAIL - P/S RD
SCALE: NOT TO SCALE **11**

A PIPE SIZE	B	C	D	STRAINER OPEN AREA SQ. IN.
3"	3 1/2"	4 1/4"	7 3/4"	1
4"	4 1/2"	5 1/4"	8 3/4"	2
5"	5 5/8"	7 3/8"	10 7/8"	6
6"	6 5/8"	9 3/8"	12 7/8"	10
10"	10 3/4"	11 1/2"	15"	18
12"	12 3/4"	13 1/2"	17"	26
15"	15"	16 5/8"	20 1/8"	40



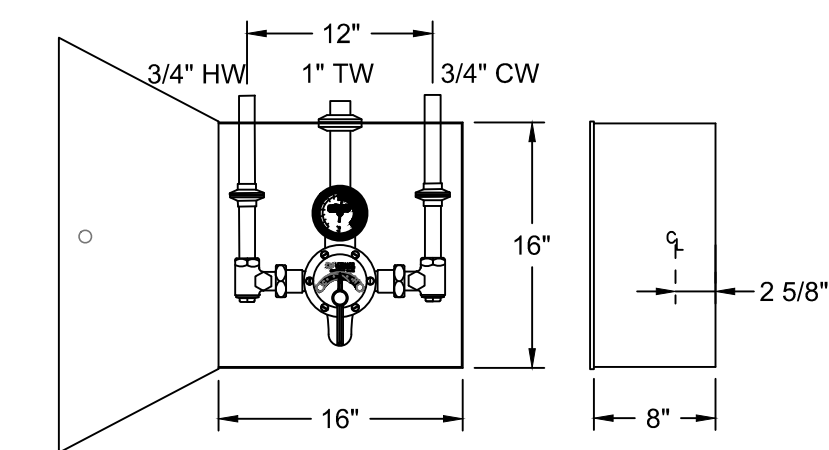
DOWNSPOUT COVER

DETAIL - DC
SCALE: NOT TO SCALE **12**



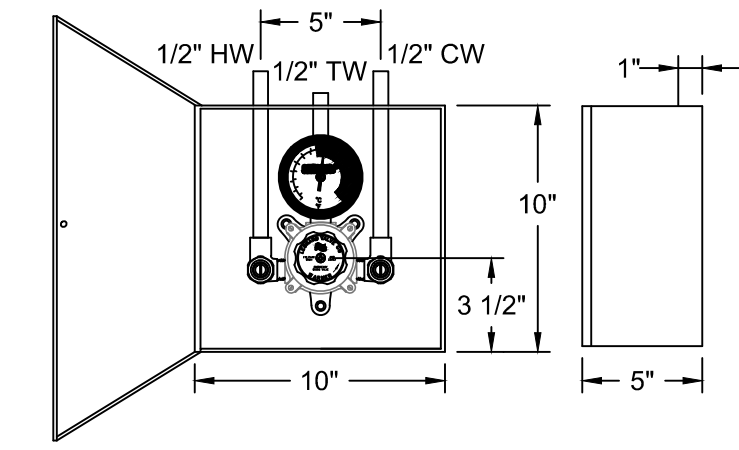
HIGH LOW SYSTEM

DETAIL - TV-1
SCALE: NOT TO SCALE **13**



EMERGENCY MIXING VALVES

DETAIL - TV-2
SCALE: NOT TO SCALE **14**



EMERGENCY MIXING VALVES

DETAIL - TV-3
SCALE: NOT TO SCALE **15**

SHEET NOTES

GENERAL NOTES

A SEE SHEET P00.00 FOR LEGEND AND GENERAL NOTES.

Portland International Jetport
1001 Westbrook Street
Portland, Maine 04102

Gensler

oest ASSOCIATES, INC.
engineers • architects • surveyors • construction managers

amec

343 Gorham Road, South Portland ME 04106
P: (207) 761-1770 F: (207) 774-1246 www.amec.com

THESE DRAWINGS ARE ISSUED FOR CONSTRUCTION AND REFLECT ALL AMEC ISSUED BULLETINS AND SKETCHES.

Issue	Date	Issue Description	By	Check
01	12/03/09	75% DESIGN DEVELOPMENT	KLM	JS
02	01/23/09	95% CONSTRUCTION DOCUMENTS	CM	JS
03	10/26/09	ISSUED FOR PERMIT	PWZ	JS
04	09/01/11	ISSUED FOR CONSTRUCTION	PWZ	JS

Project Name
PJM Terminal Enhancement

Project Number
09.0395.000
CAD File Name
T:6330101/Sheet/P12.22.dwg
Description
PLUMBING DETAILS



Scale
NOT TO SCALE

P12.22

©2009 Gensler