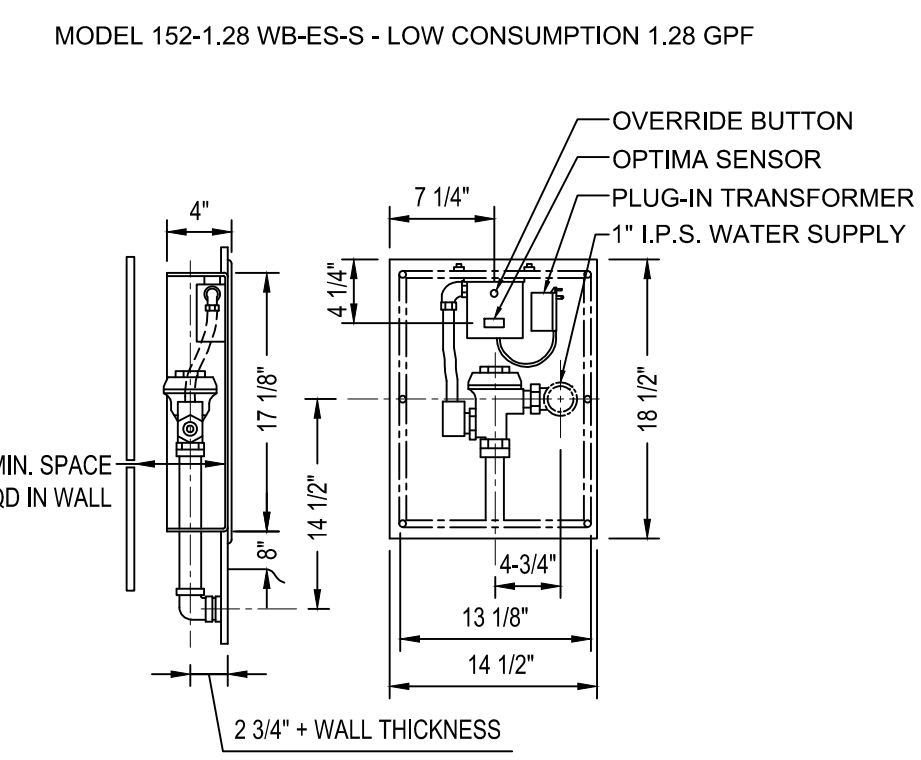
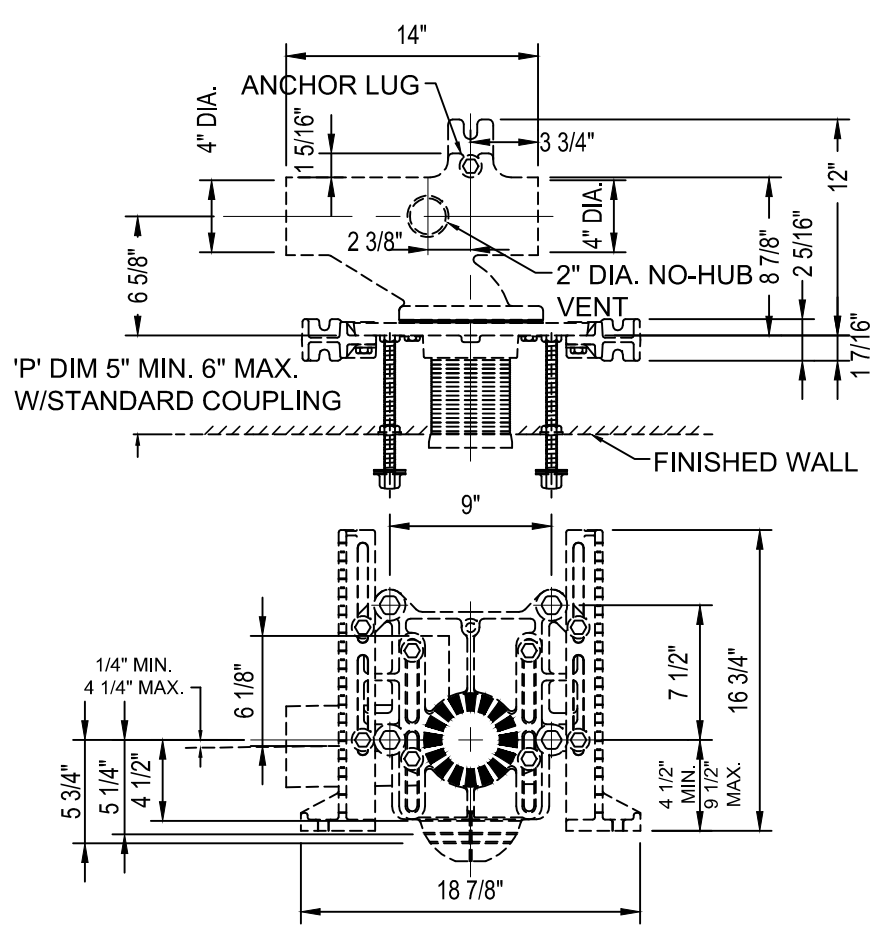


NOTE:
TOILET DESIGNED TO MEET ADA ACCESSIBILITY STANDARDS WHEN TOP OF SEAT HEIGHT SET AT 17" TO 19" FROM FINISHED FLOOR.

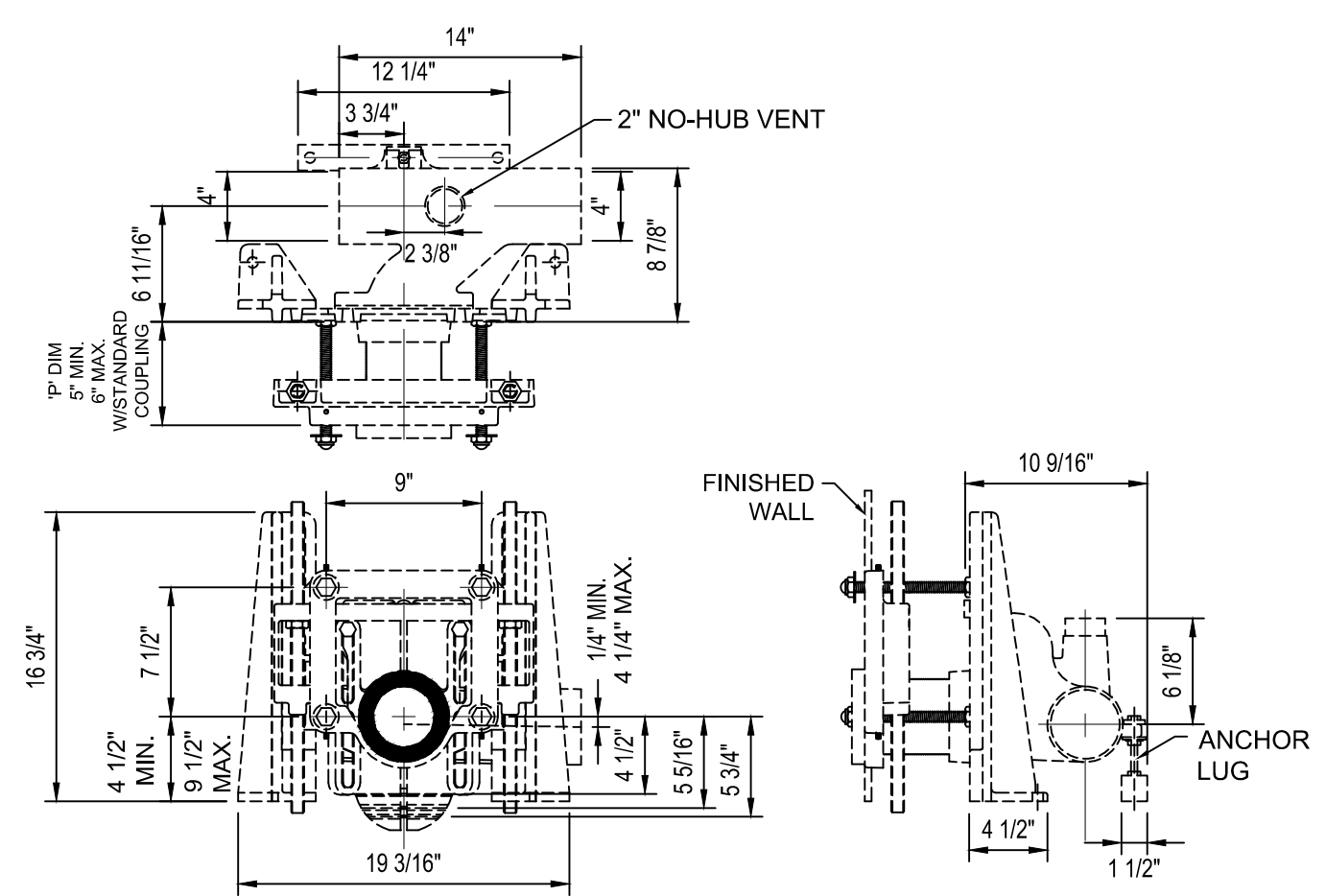
WATER CLOSET



1.28 GPF FLUSHOMETER



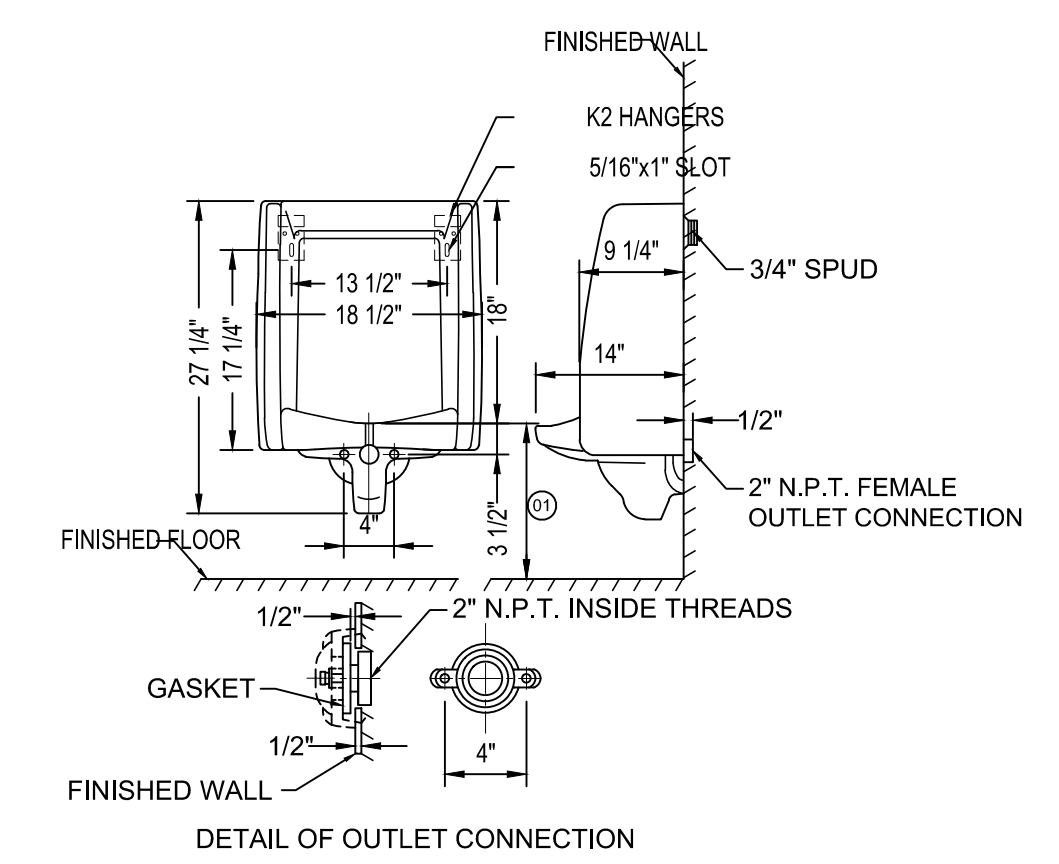
P-1
ADJUSTABLE HORIZONTAL
SIPHON JET NO-HUB



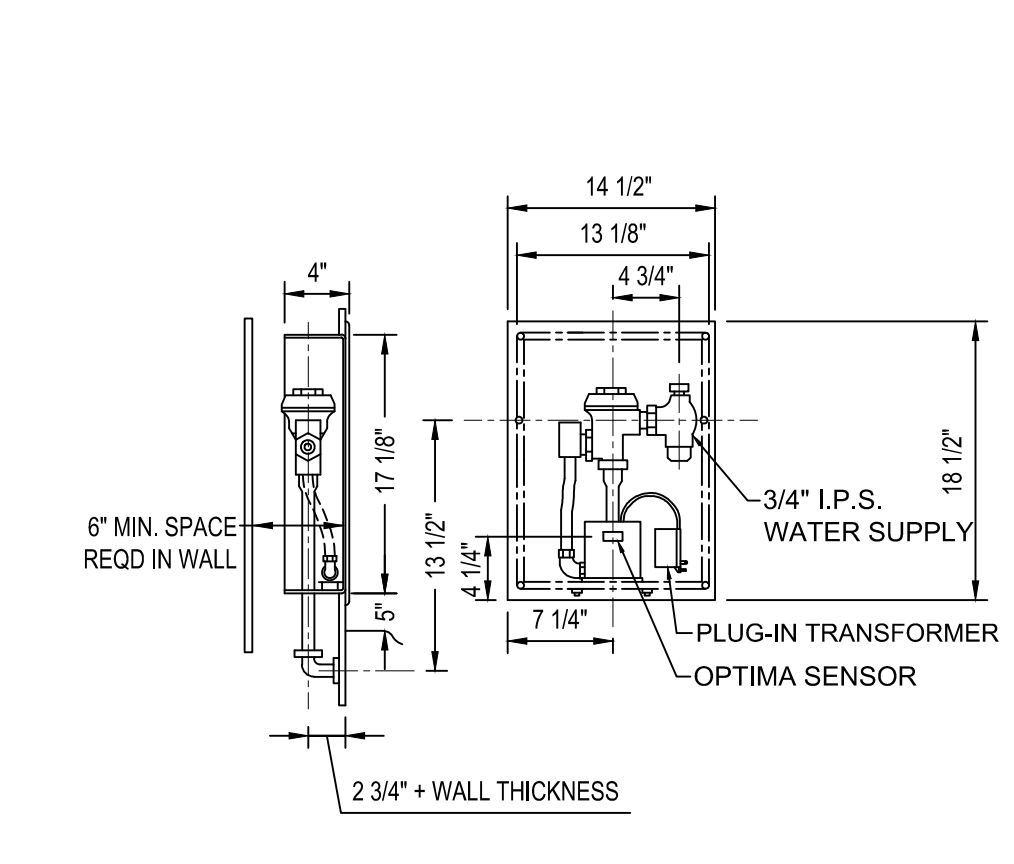
P-1A
ADJUSTABLE HORIZONTAL BARIATRIC
SIPHON JET NO-HUB

DETAIL - P-1 & P-1A
SCALE: NOT TO SCALE

1



0.5 GPF HIGH EFFICIENCY URINAL



0.5 GPF FLUSHOMETER

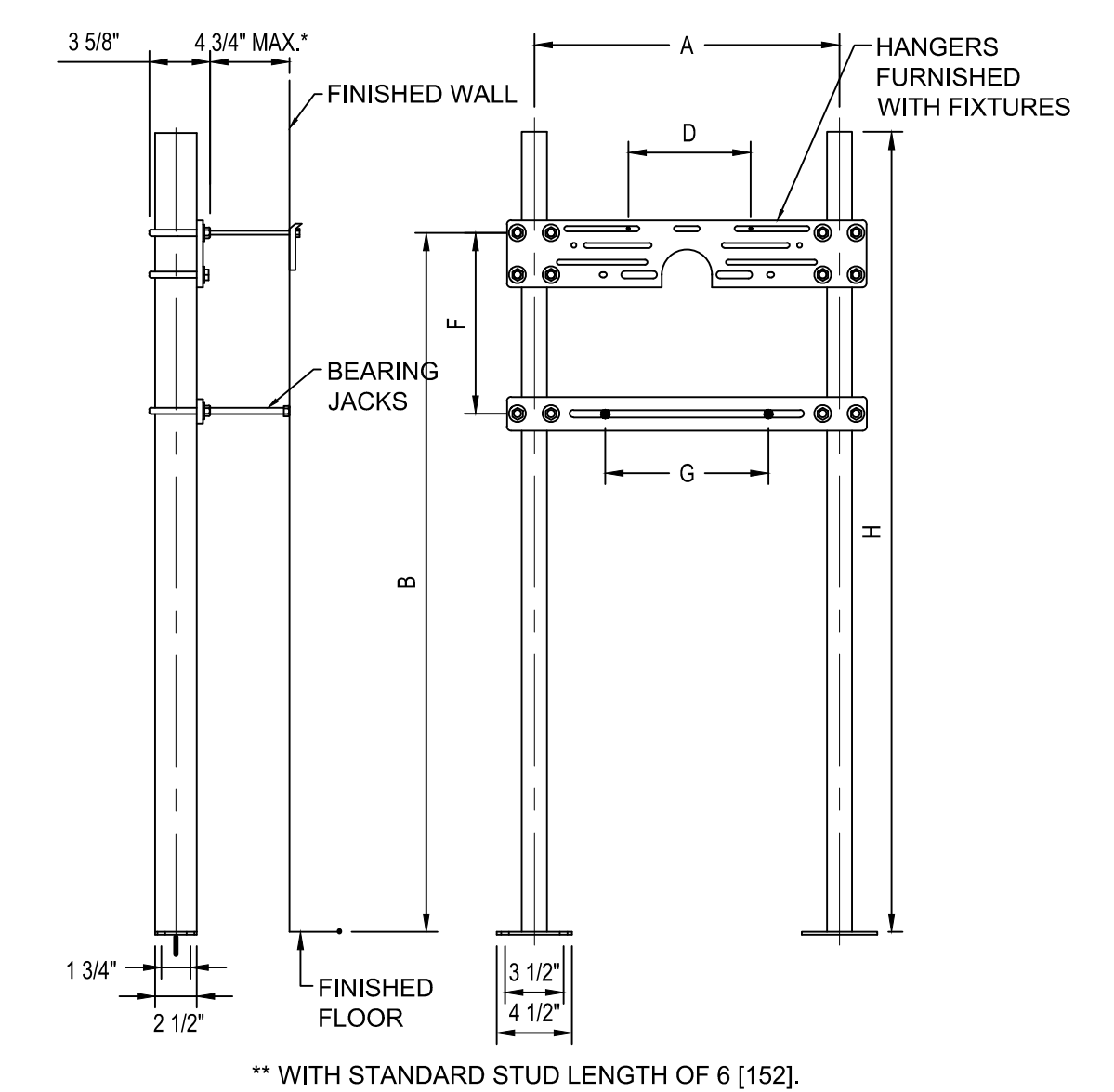
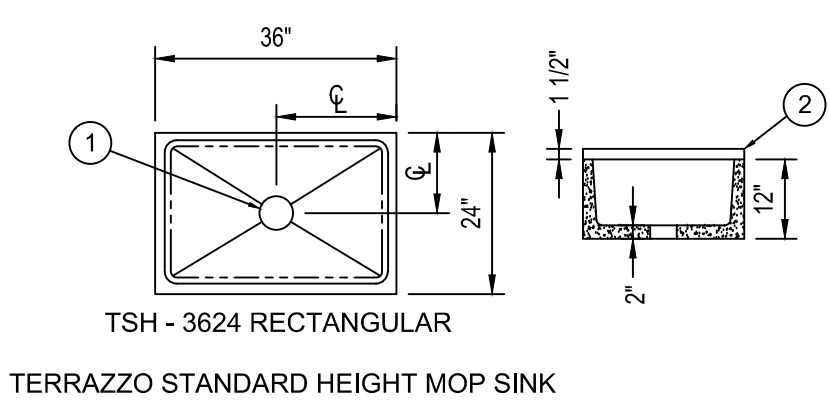
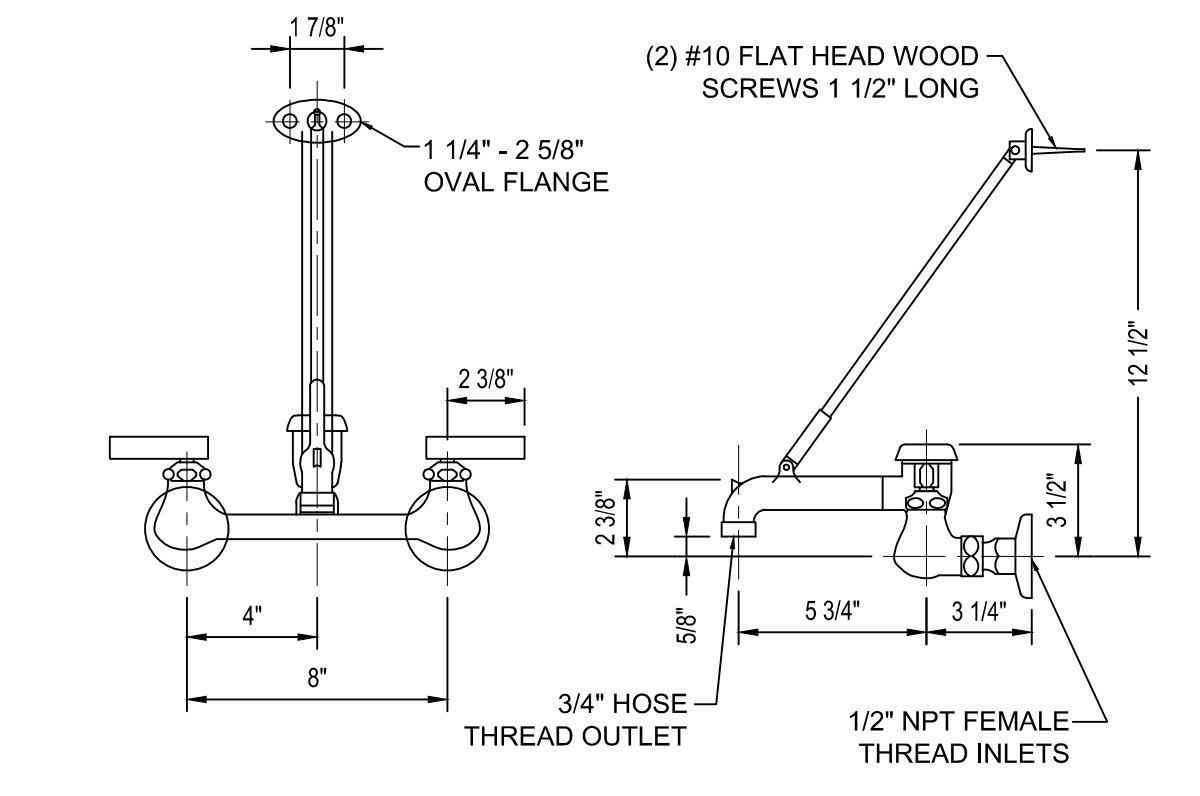


PLATE TYPE SYSTEM
WITH BEARING PLATE



NOTES:
1. INTEGRAL DRAIN WITH REMOVABLE GRID STRAINER. DRAIN PROVIDES INSIDE CALK CONNECTION TO 3" PIPE.
2. TF TILING FLANGE. SHOWN FOR REFERENCE ONLY.

MOP SINK



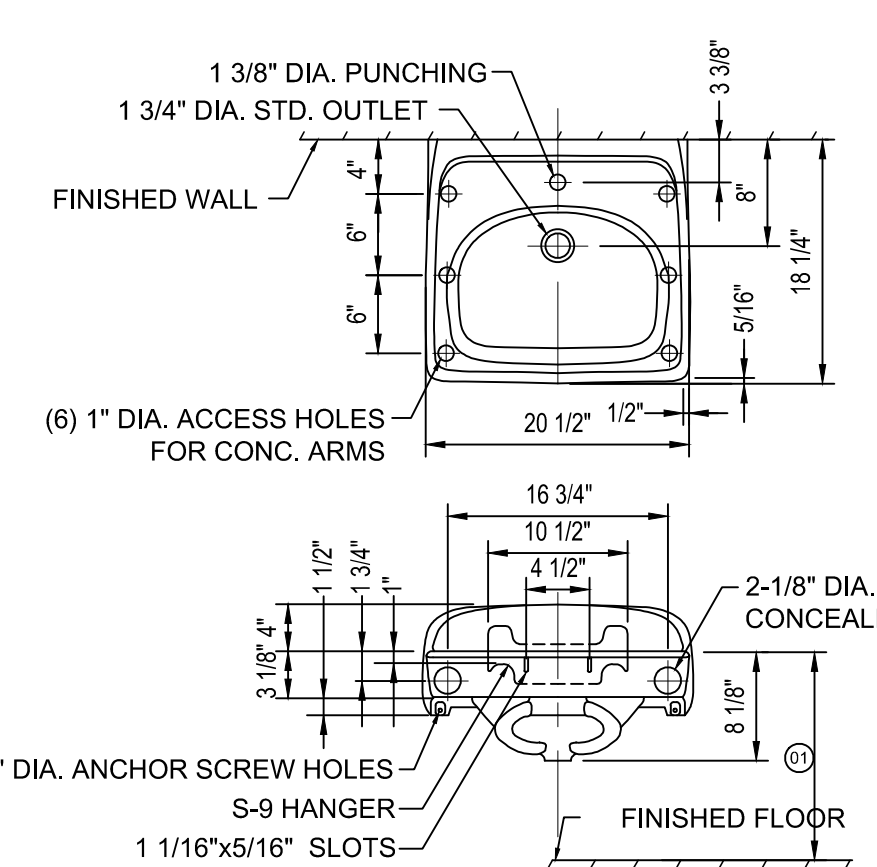
MOP SINK FAUCET

DETAIL - P-2 & P-2A
SCALE: NOT TO SCALE

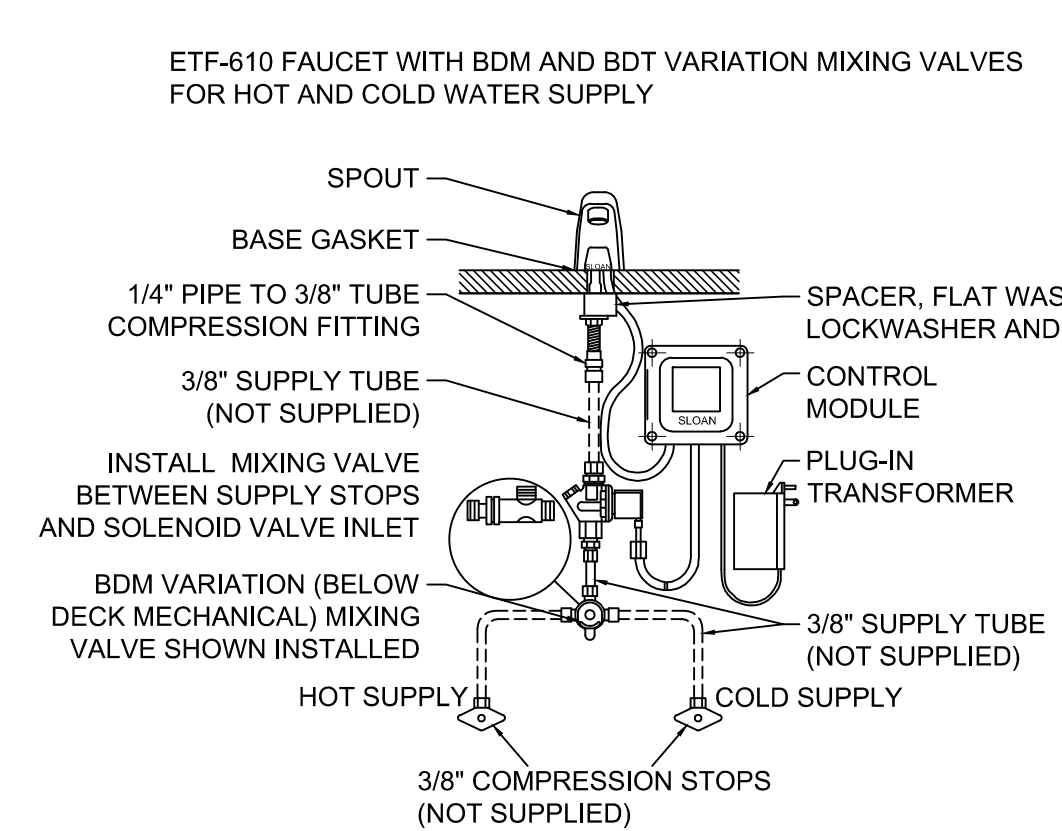
2

DETAIL - P-4
SCALE: NOT TO SCALE

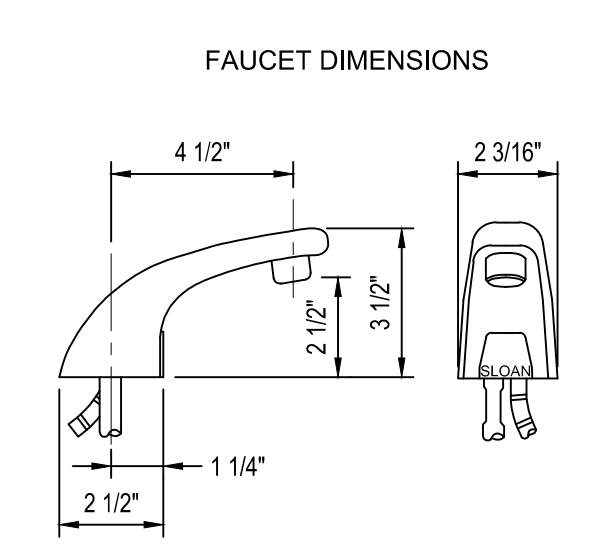
3



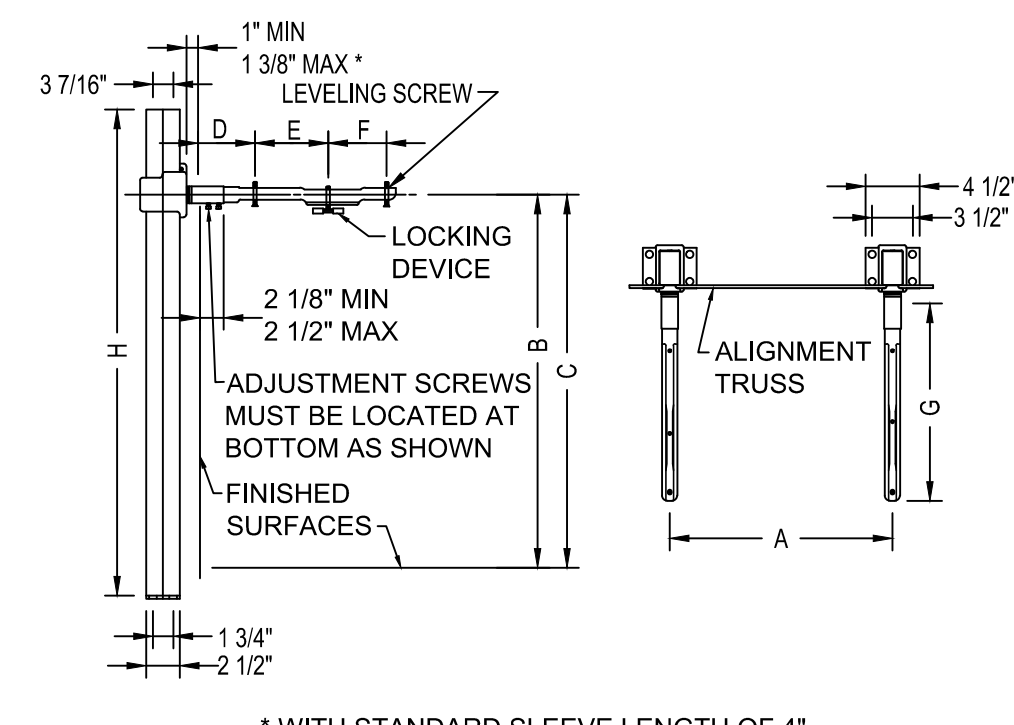
WALL-HUNG LAVATORY



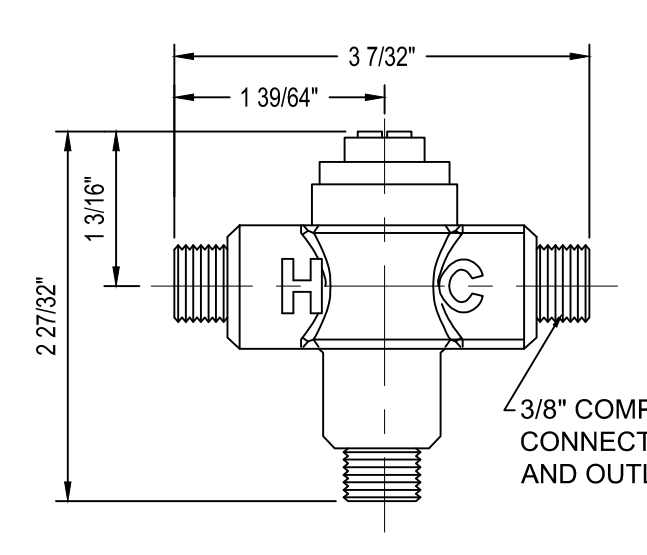
PIPING ROUGH IN



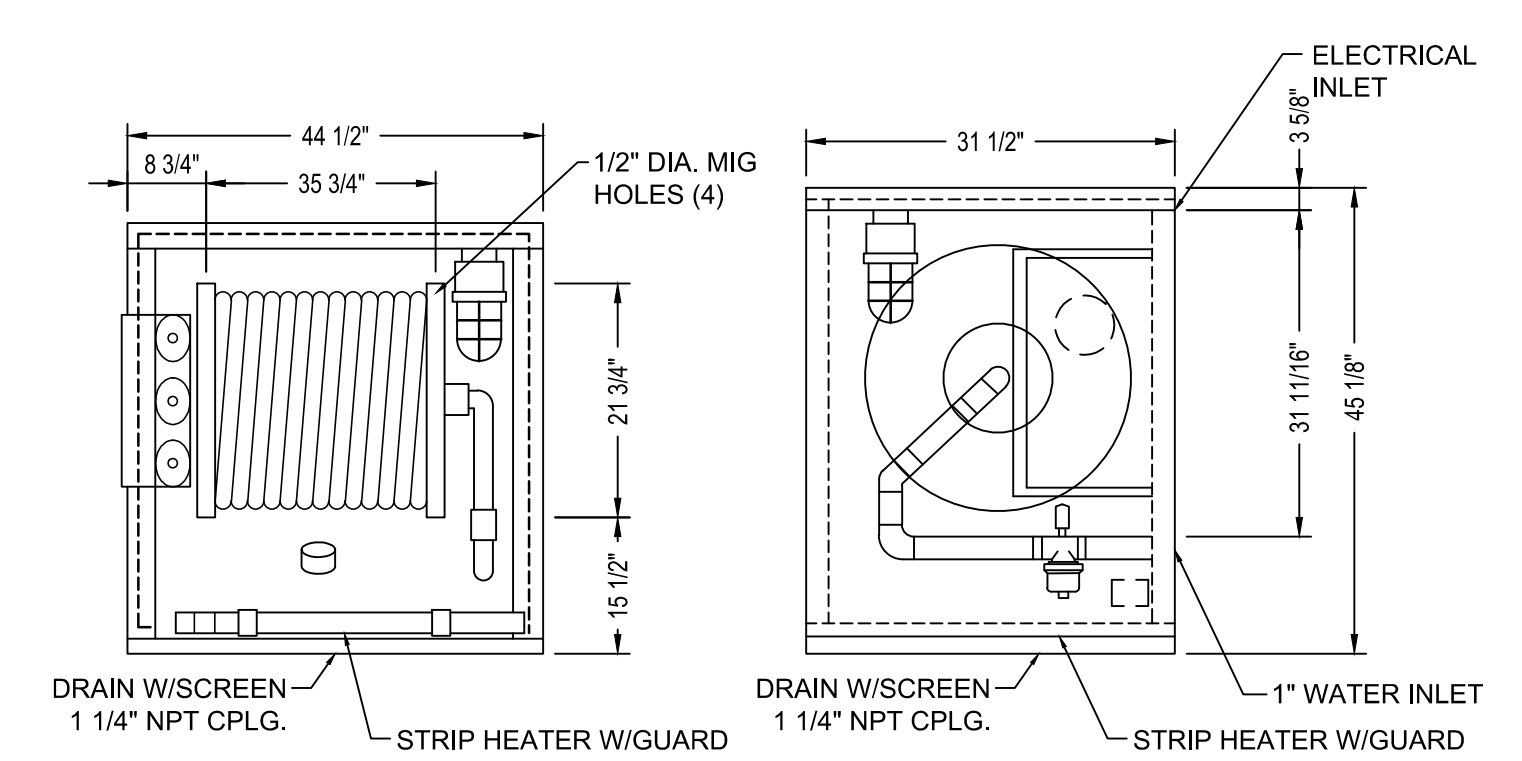
ELECTRONIC HAND
WASHING FAUCET



CONCEALED ARM CARRIER



THERMOSTATIC
TEMPERING VALVE



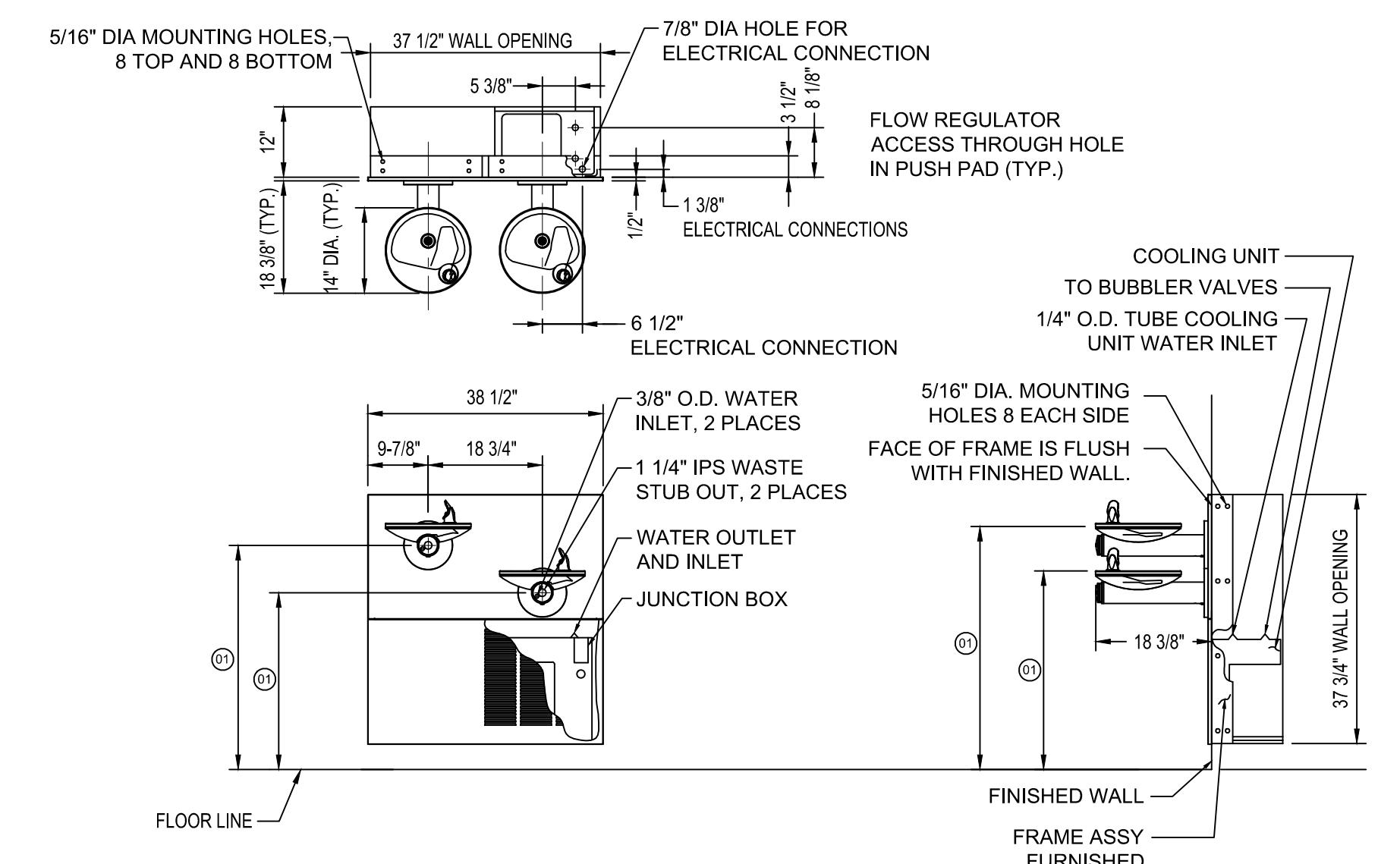
POTABLE WATER HOSE REEL

DETAIL - P-3B
SCALE: NOT TO SCALE

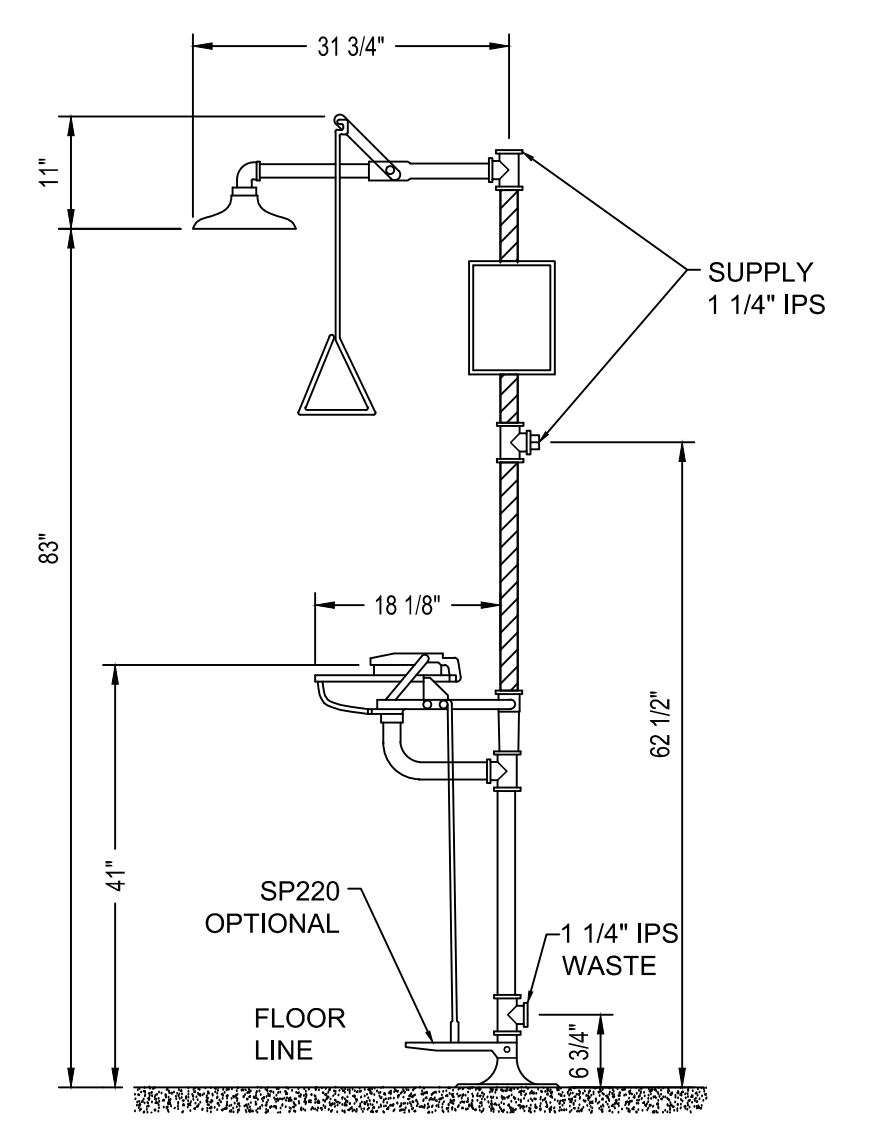
4

DETAIL - HR-1
SCALE: NOT TO SCALE

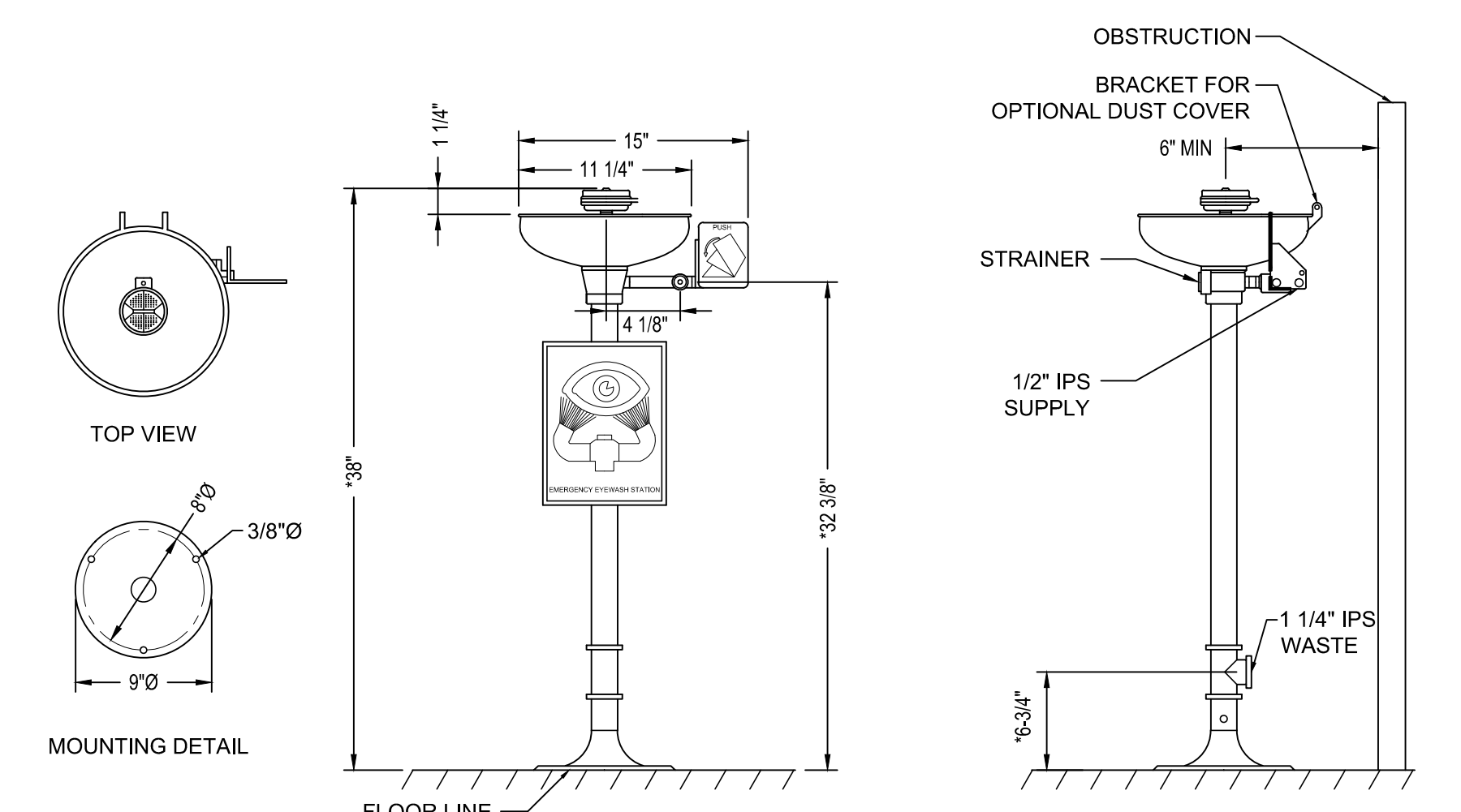
5



BI-LEVEL WATER COOLER



P-6
COMBINATION UNIT



P-6A
EYE/FACE WASH

DETAIL - P-5
SCALE: NOT TO SCALE

6

DETAIL - P-6 & P-6A
SCALE: NOT TO SCALE

7

SHEET NOTES

01 SEE ARCHITECTURAL DRAWINGS FOR FIXTURE MOUNTING HEIGHTS.

Portland International
Jetport
1001 Westbrook Street
Portland, Maine 04102

Gensler

2020 K Street, NW
Suite 200
Washington, DC 20006
Telephone 202.721.5200
Facsimile 202.872.8587

oest ASSOCIATES, INC.
343 Gorham Road, South Portland, ME 04106
P: (207) 761-1770 F: (207) 774-1246 www.oest.com
engineers • architects • surveyors • construction managers

amec

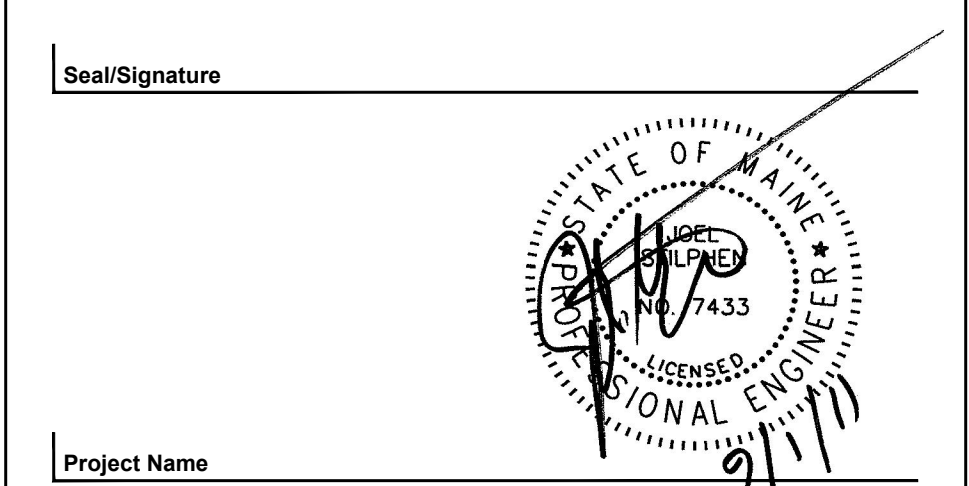
343 Gorham Road, South Portland ME 04106
P: (207) 761-1770 F: (207) 774-1246 www.amec.com

THESE DRAWINGS ARE ISSUED FOR CONSTRUCTION AND REFLECT ALL AMEC ISSUED BULLETINS AND SKETCHES.

Issue	Date & Issue Description	By	Check
01	12/03/08	KLM	JS
02	01/23/09	CM	JS
03	10/26/09	PWZ	JS
04	09/01/11	PWZ	JS

GENERAL NOTES

A SEE SHEET P00.00 FOR LEGEND AND GENERAL NOTES.



Project Name
PJM Terminal Enhancement

Project Number
08.6395.000

CAD File Name
T:8333101\$sheet\$P12.21.dwg

Description
PLUMBING DETAILS

Scale
NOT TO SCALE

P12.21

©2009 Gensler