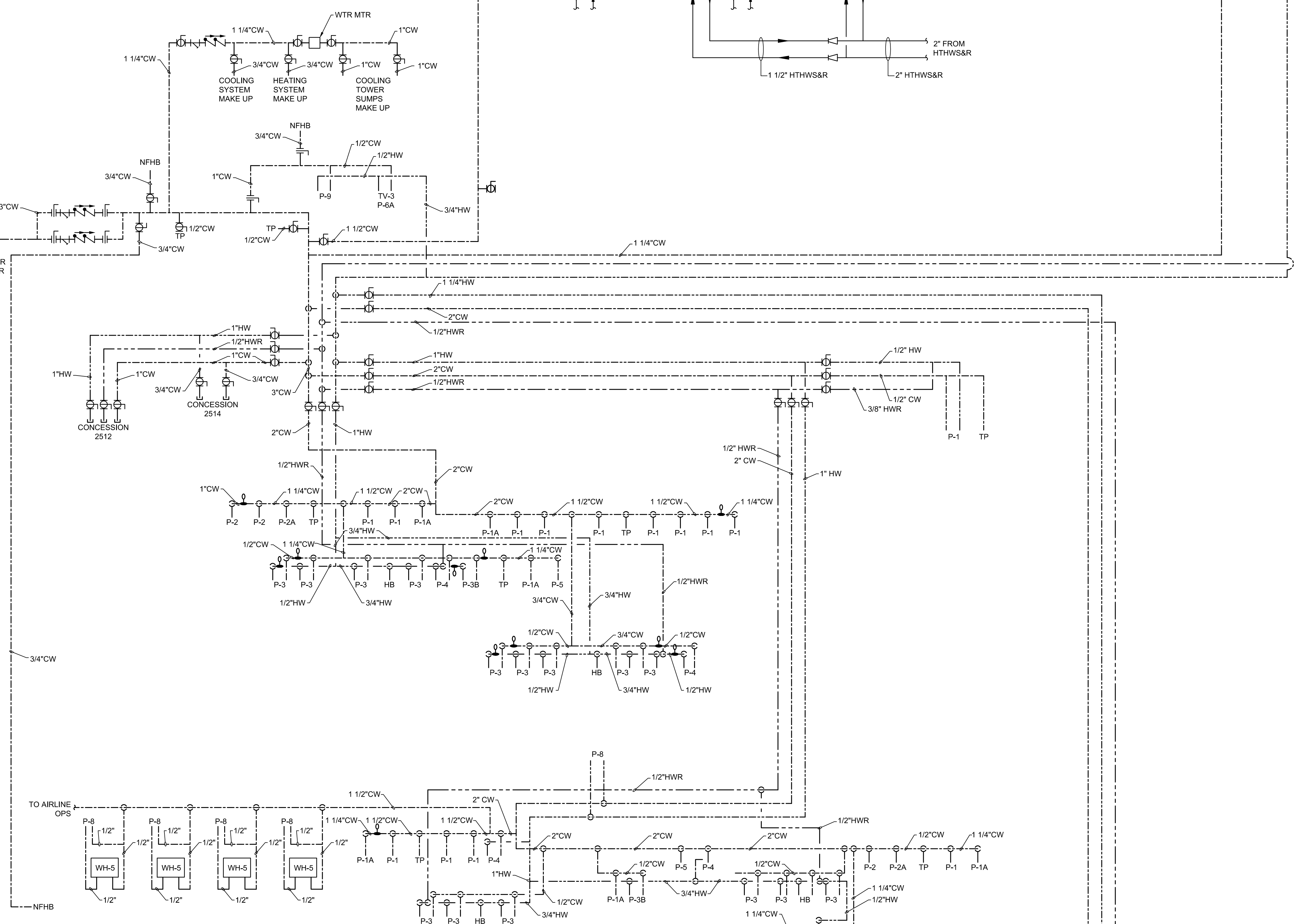


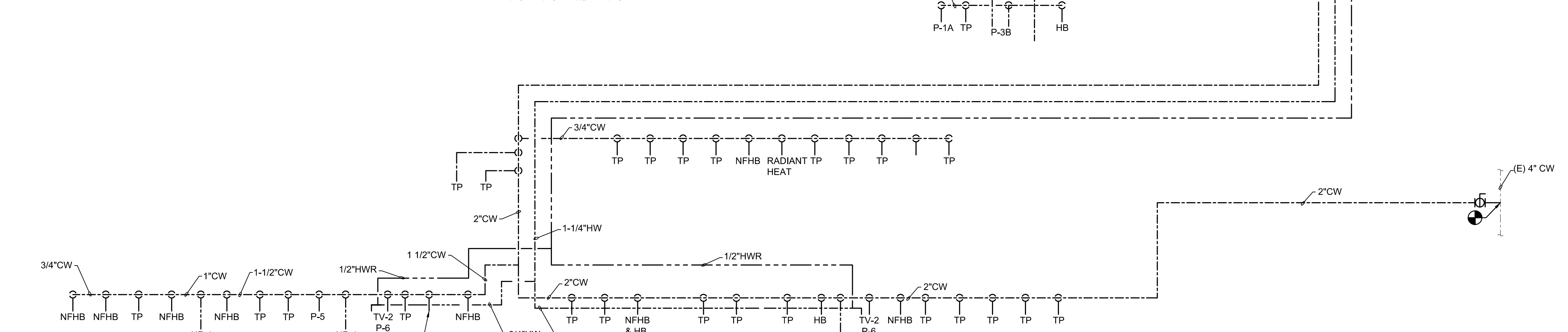
LEVEL 4



LEVEL 3

LEVEL 2

LEVEL 1



**DOMESTIC WATER RISER DIAGRAM**  
SCALE: NOT TO SCALE

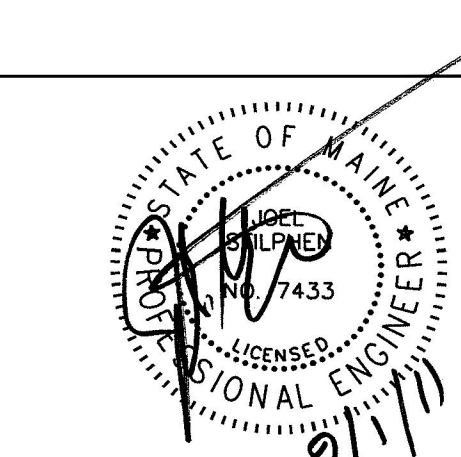
**GENERAL NOTES**

A SEE SHEET P00.00 FOR LEGEND AND GENERAL NOTES.

THESE DRAWINGS ARE ISSUED FOR CONSTRUCTION AND REFLECT ALL AMEC ISSUED BULLETINS AND SKETCHES.

Issue	Date & Issue Description	By	Check
01	12/03/08	KLM	JS
02	01/23/09	CM	JS
03	10/26/09	PWZ	JS
04	11/12/09	PWZ	JS
05	01/12/10	PWZ	JS
06	07/30/10	PWZ	JS
07	10/20/10	PWZ	JS
08	3/8/2011	CAP	JS
09	09/01/11	PWZ	JS

Seal/Signature



Project Name  
PJM Terminal Enhancement

Project Number  
08.0395.000  
CAD File Name  
T:\8330101\Sheet\PI2.02.dwg

Description  
DOMESTIC & GAS RISER DIAGRAMS

Scale  
NOT TO SCALE

**P12.02**