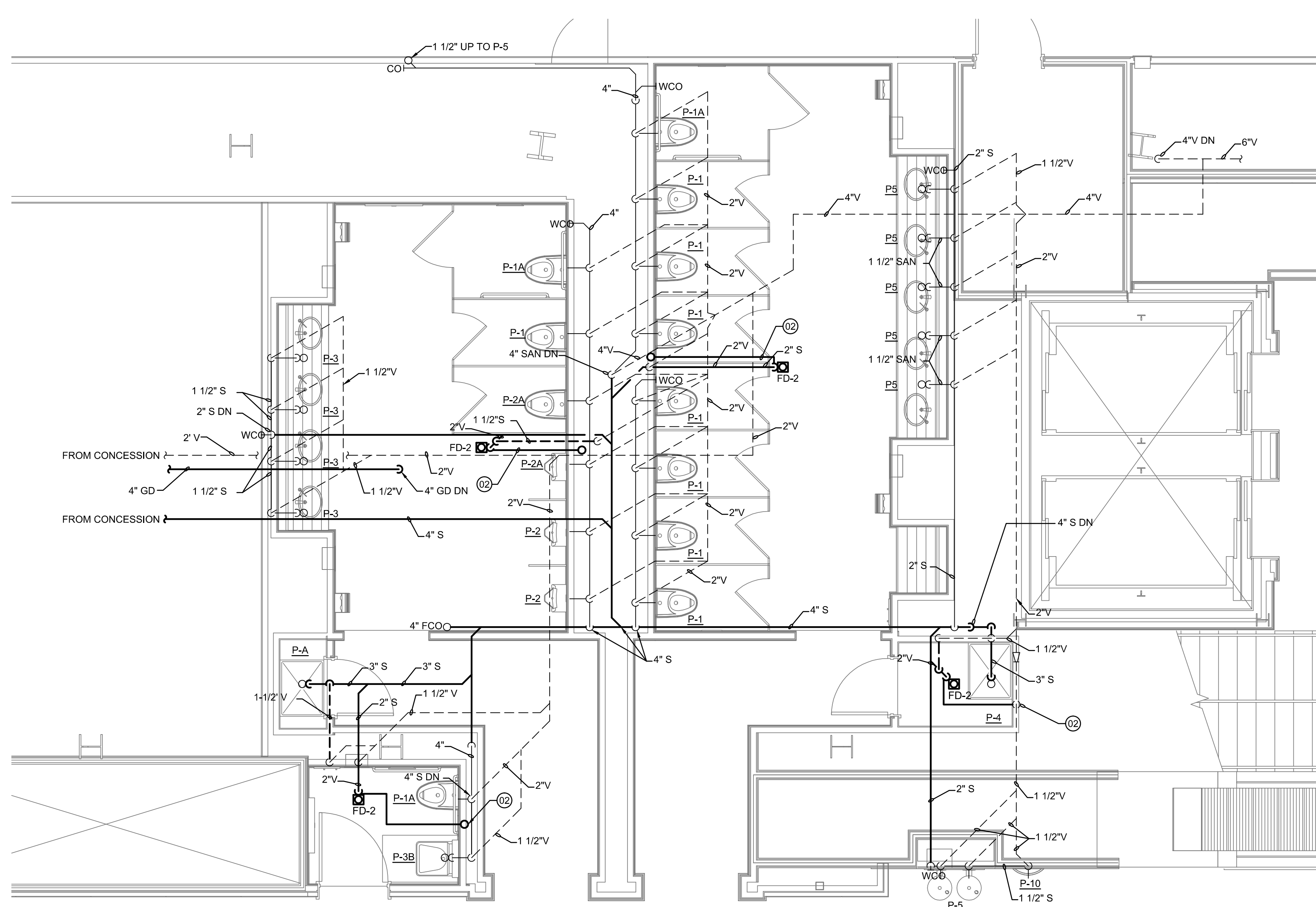
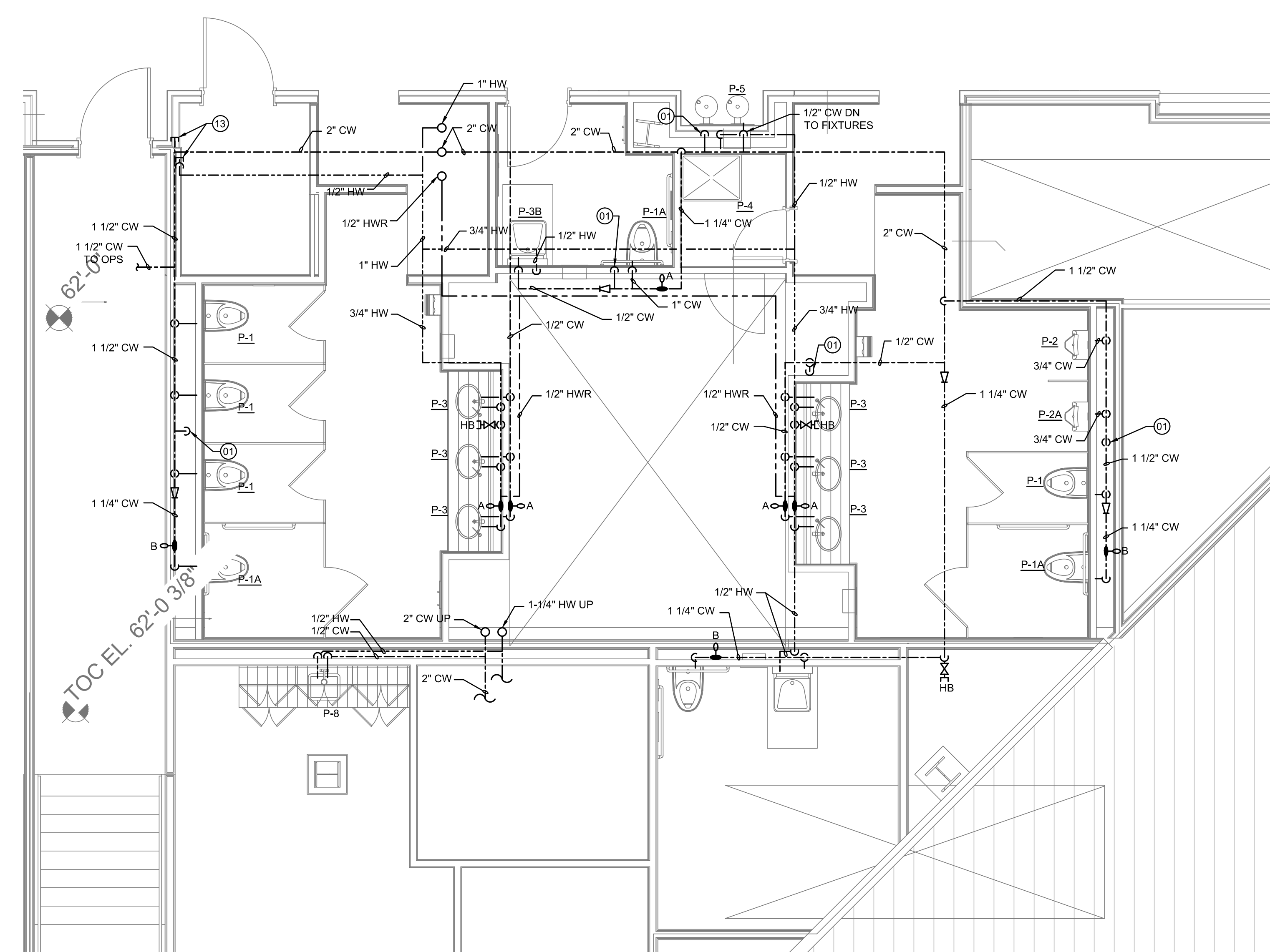


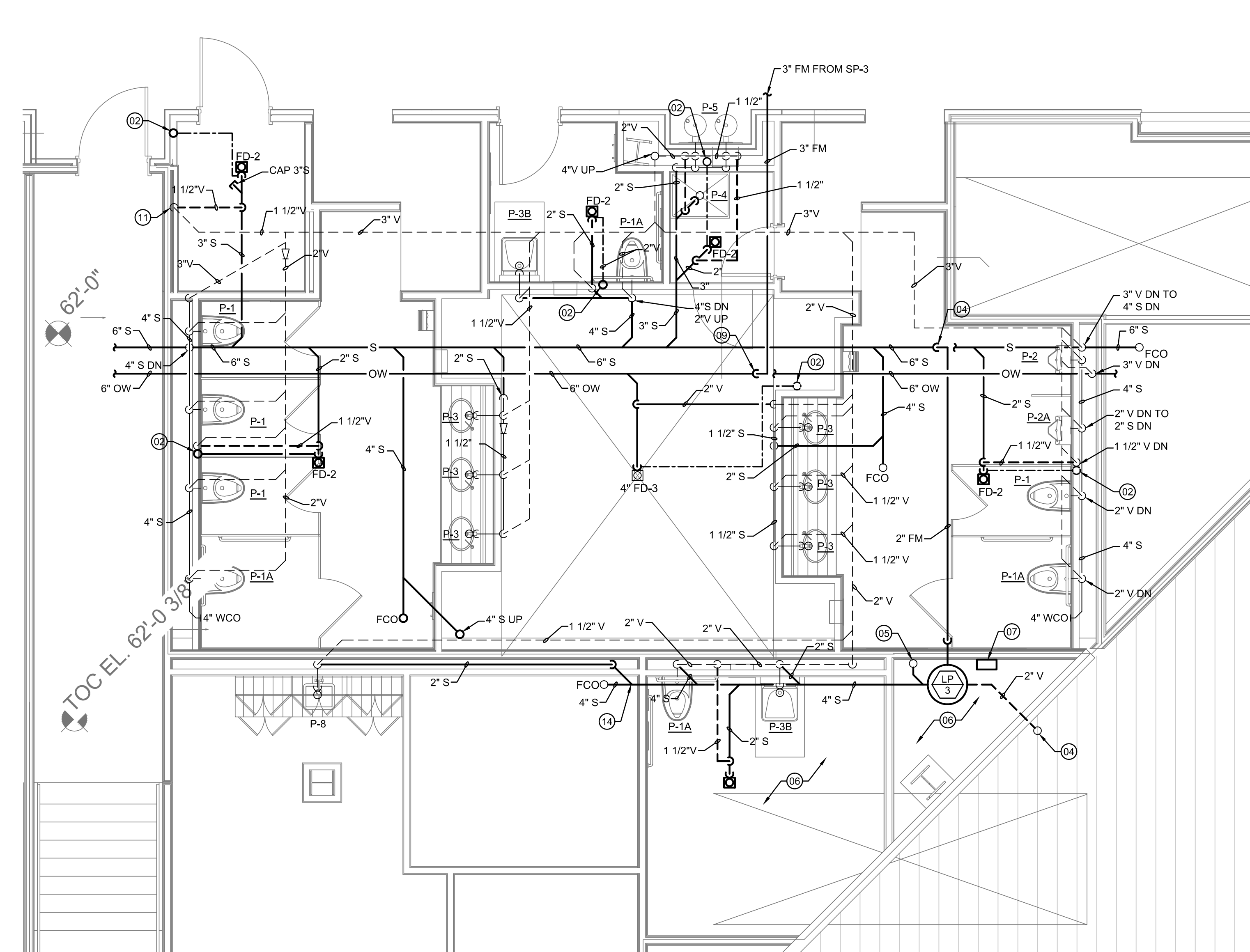
**LEVEL 3 TOILET ROOMS DOMESTIC WATER ENLARGED PLAN**  
SCALE: 1/4" = 1'-0" **4**



**LEVEL 3 TOILET ROOMS DRAIN, WASTE & VENT ENLARGED PLAN**  
SCALE: 1/4" = 1'-0" **3**

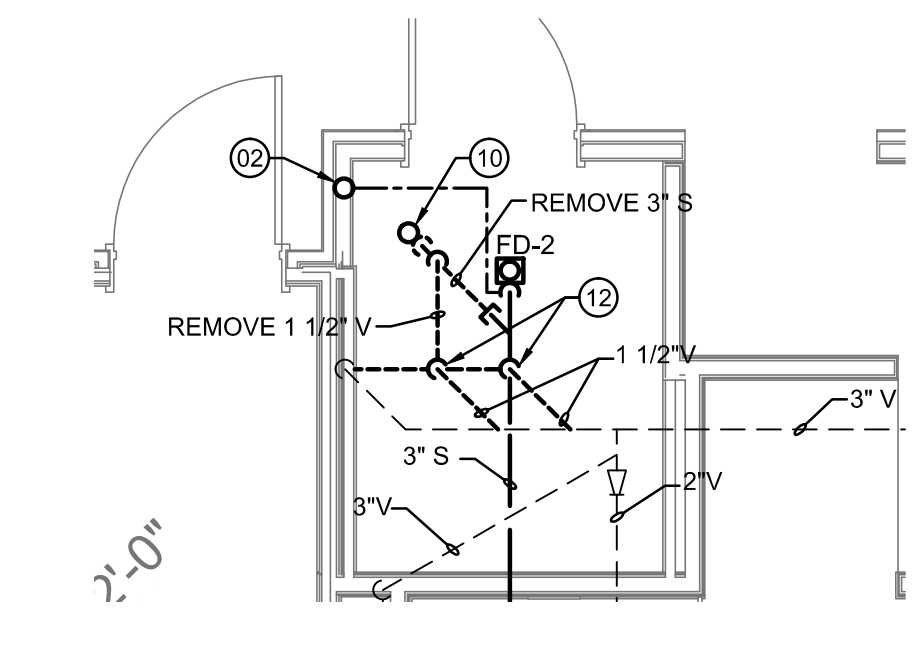


**LEVEL 2 TOILET ROOMS DOMESTIC WATER ENLARGED PLAN**  
SCALE: 1/4" = 1'-0" **2**



**LEVEL 2 TOILET ROOMS DRAIN, WASTE & VENT ENLARGED PLAN**  
SCALE: 1/4" = 1'-0" **1**

**ANIMAL SCREENING ROOM  
DRAIN, WASTE & VENT DEMOLITION PLAN 5**  
SCALE: 1/4" = 1'-0"



- SHEET NOTES**
- 1/2" CW DN W/ BALL VALVE TO TRAP PRIMER.
  - 1/2" CW FROM TRAP PRIMER.
  - TAG "SERVES EMERGENCY FIXTURES" & PROVIDE LOCKING MECHANISM.
  - 2" V UP. FOR CONT REFER TO SHEET P02.02.04
  - 4" S DN FROM ABOVE. FOR CONT REFER TO SHEET P02.02.04
  - FIXTURES, PLUMBING, AND EQUIPMENT SHOWN IN THIS AREA IS LOCATED ON OR BELOW LEVEL 01 SLAB @ 56'-0"
  - LP-3 CONTROL PANEL.
  - TIE 2" FORCE MAIN INTO TOP OF 4" S W/ 45" WYE.
  - TIE 3" FORCE MAIN INTO TOP OF 6" CW W/ 45" WYE.
  - DELETE P-2 REMOVE DRAIN BELOW FLOOR AND CAP AT 3" MAIN. REMOVE 1 1/2" V
  - RELOCATE 1 1/2" RISER FROM FD
  - REMOVE 1 1/2" VENT RISER
  - CAP 1/2" CW & 1/2" HW IN WALL.
  - CONNECT TO 4" S IN FLOOR

**Portland International Jetport**  
1001 Westbrook Street  
Portland, Maine 04102

**Gensler**

2020 K Street, NW  
Suite 200  
Washington, DC 20006  
Telephone 202.721.5200  
Facsimile 202.872.8587

**AMEC ASSOCIATES, INC.**  
343 Gorham Road, South Portland, ME 04106  
P: (207) 761-1770 F: (207) 774-1246 www.amec.com  
engineers • architects • surveyors • construction managers

**amec**

343 Gorham Road, South Portland ME 04106  
P: (207) 761-1770 F: (207) 774-1246 www.amec.com

THESE DRAWINGS ARE ISSUED FOR CONSTRUCTION AND REFLECT ALL AMEC ISSUED BULLETINS AND SKETCHES.

Issue	Date & Issue Description	By	Check
01	12/03/08	KLM	JS
02	01/23/09	CM	JS
03	10/26/09	PWZ	JS
04	11/12/09	PWZ	JS
05	04/23/10	PWZ	JS
06	05/03/10	PWZ	JS
07	3/9/2011	CAP	JS
08	09/01/11	PWZ	JS

**GENERAL NOTES**

A SEE SHEET P00.00 FOR LEGEND AND GENERAL NOTES.

Project Name  
PJM Terminal Enhancement

Project Number  
08.0395.000  
CAD File Name  
T:\0330101\Sheet\P08.01.dwg  
Description  
PLUMBING ENLARGED PLANS

Scale  
1/4" = 1'-0"

**P08.01**

C2009 Gensler