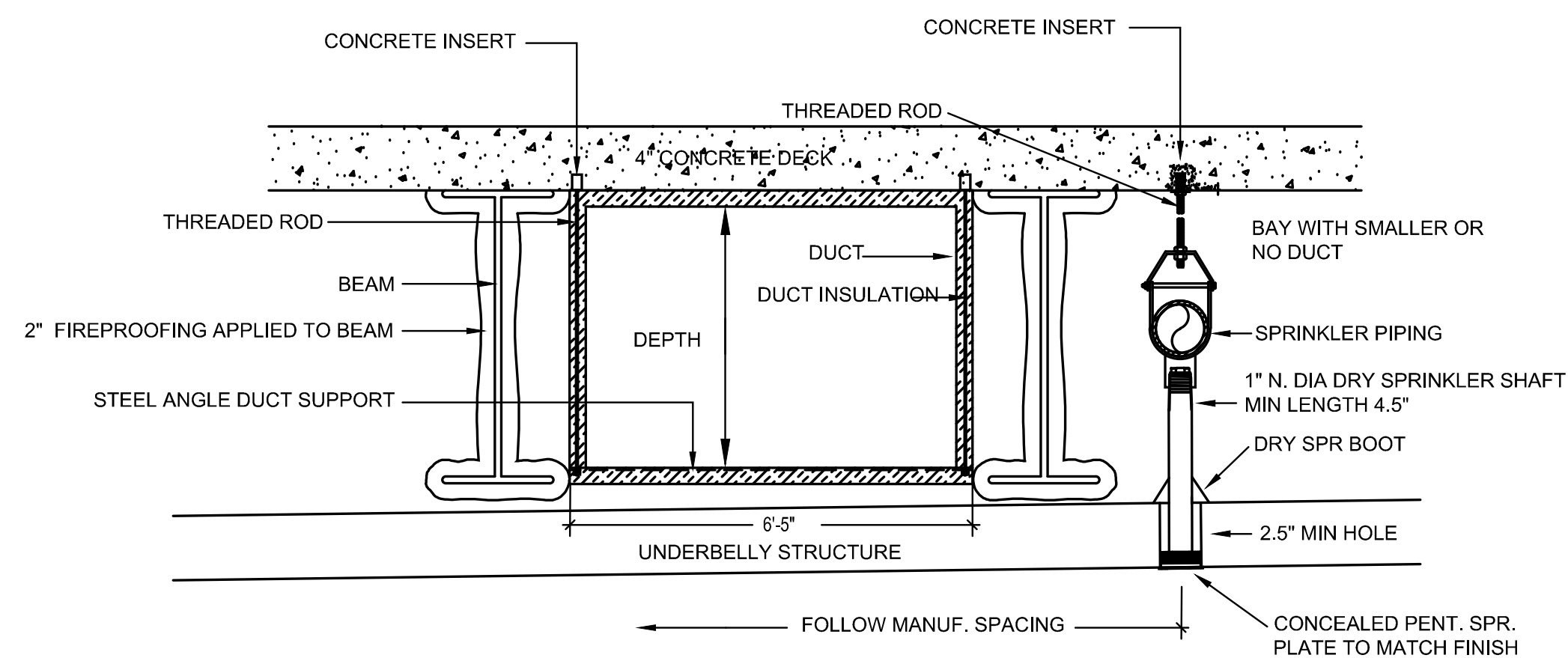


TYPICAL PIPE HANGER DETAIL

SCALE: NTS

10

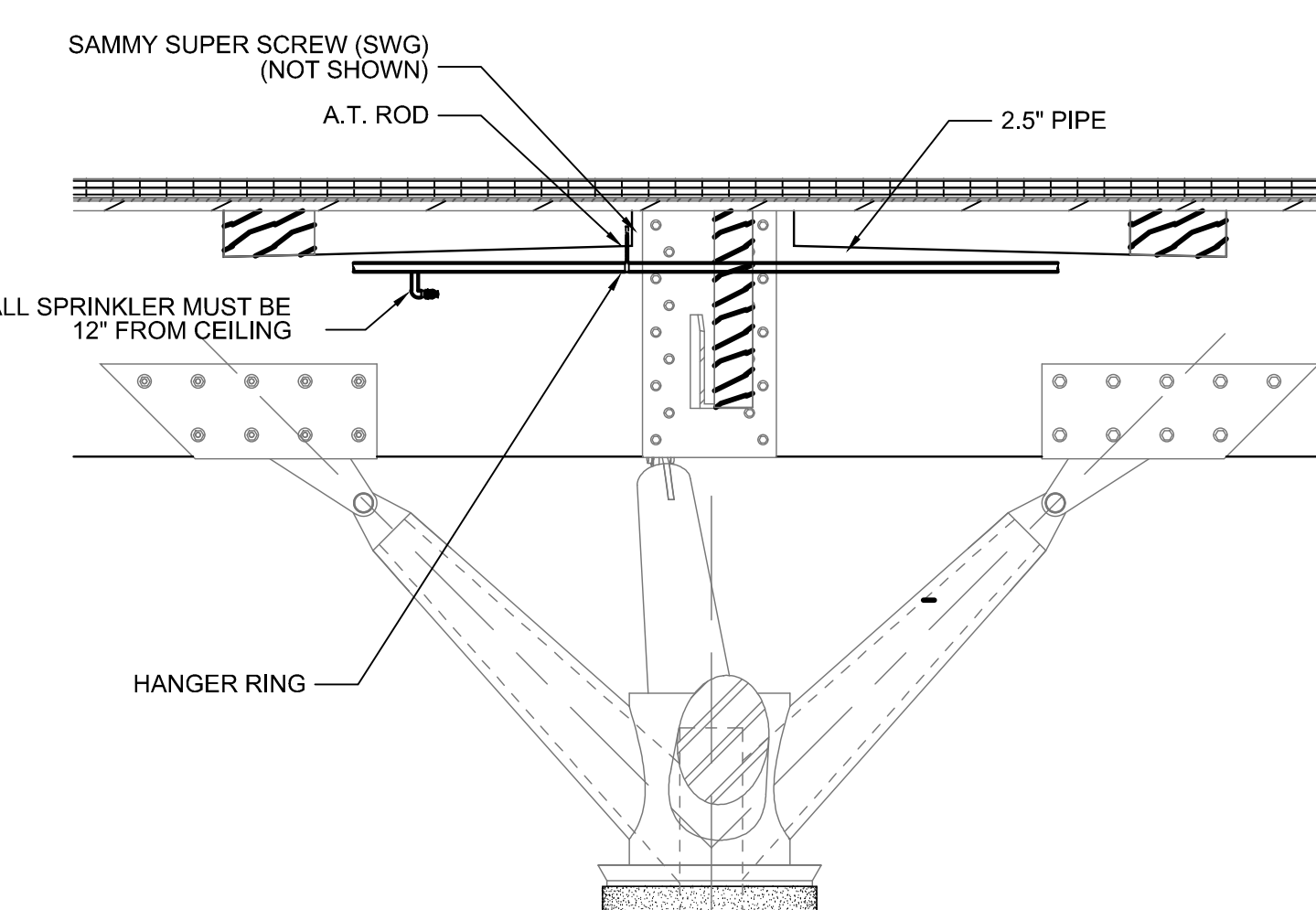


THE UNDERBELLY IS A CONGESTED AREA AND CLEARANCES ARE EXTREMELY TIGHT. FIRE PROTECTION CONTRACTOR SHALL REVIEW ARCHITECTURAL AND STRUCTURAL DRAWINGS AND INSTALLED WORK PRIOR TO EXECUTION OF MECHANICAL WORK. HE SHALL CLOSELY COORDINATE THE INSTALLATION OF PIPING & SPRINKLERS WITH THE STRUCTURE AND THE EQUIPMENT OF OTHER TRADES TO FIT IN THE AVAILABLE SPACE.

- NOTES:
1. FOLLOW MANUFACTURER'S SPECS FOR DRY-TYPE PENDANT INSTALLATION
 2. THE AIR-PRESSURE IN THE CEILING MUST NOT EXCEED THAT OF THE SPACE BELOW PER TYCO DS-C SPECS.
 3. EXERCISE CARE TO AVOID DAMAGING FIRE PROOFING.

DETAIL - PIPE CROSS SECTION AT CONGESTED UNDERBELLY

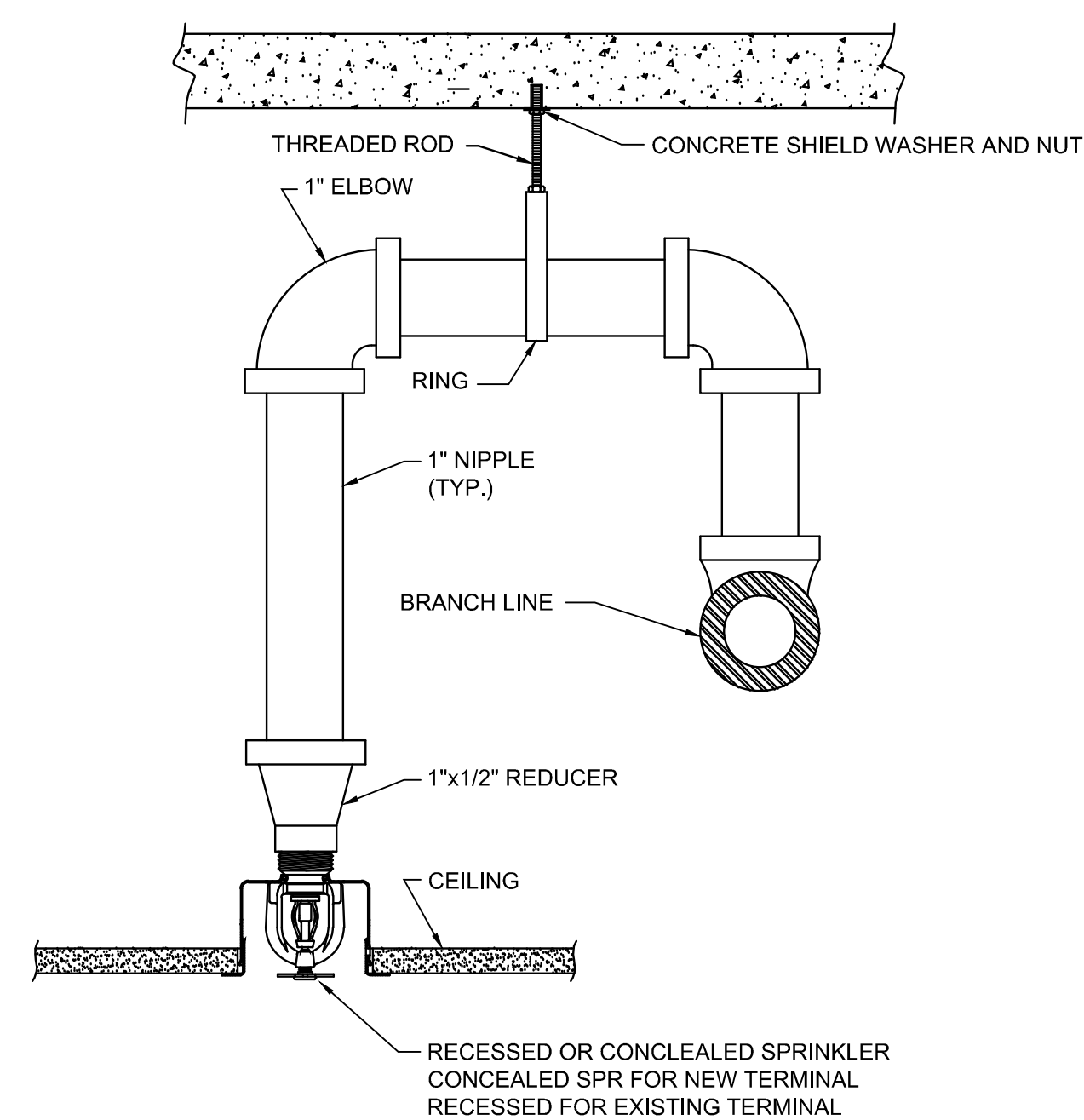
SCALE: NTS



DETAIL - SPRINKLER PIPING AT TREE COLUMN

SCALE: NTS

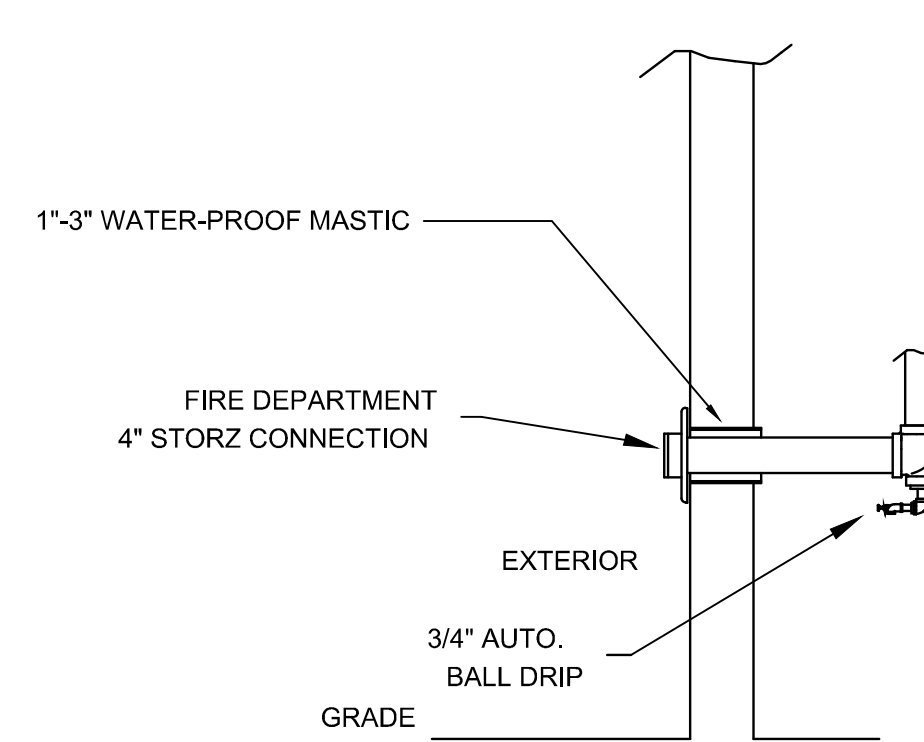
12



TYPICAL "ARM OVER" DETAIL

SCALE: NTS

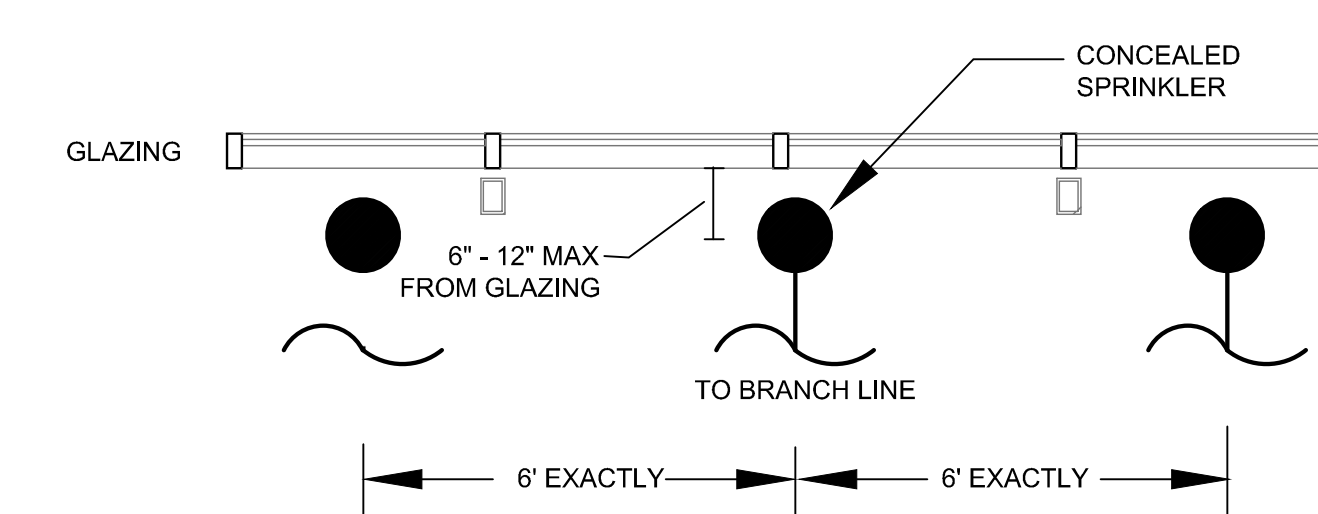
7



DETAIL - FIRE DEPARTMENT CONNECTION

SCALE: NTS

8

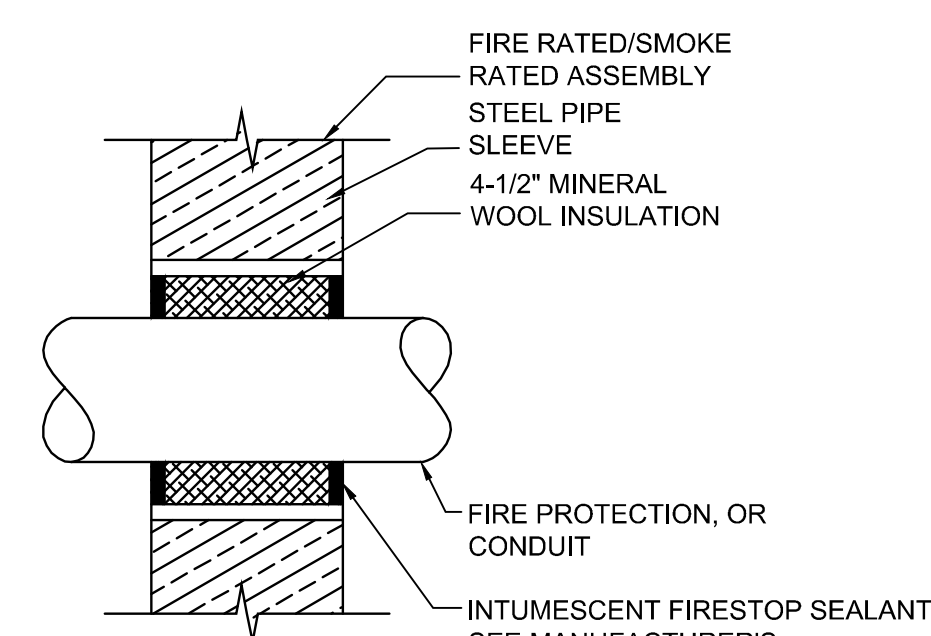


- NOTES:
1. EACH SPRINKLER SHALL PROVIDE A MINIMUM OF 18 GPM
 2. IF 6 FT. EXACT SPACING CANNOT BE MET - SPRINKLERS SHALL BE INSTALLED WITH LESS THAN 6 FT. SPACING WITH CROSS BAFFLES PER NFPA 13.

DETAIL - SPRINKLERS PROVIDING GLAZING PROTECTION

SCALE: 3/8" = 1"

9



NOTE:
FIRE STOPPING METHOD BASED ON HLT1 UL SYSTEM WL1058. REFER TO MFG LITERATURE FOR SPECIFIC PRODUCT LIMITATIONS. SUBSTITUTE OTHER UL APPROVED FIRE STOPPING METHODS, IF NECESSARY, TO MEET REQUIREMENTS OF INSTALLATION

CONDUIT/ PIPE PENETRATIONS THRU FIRE/ SMOKE RATED ASSEMBLY

SCALE: NTS

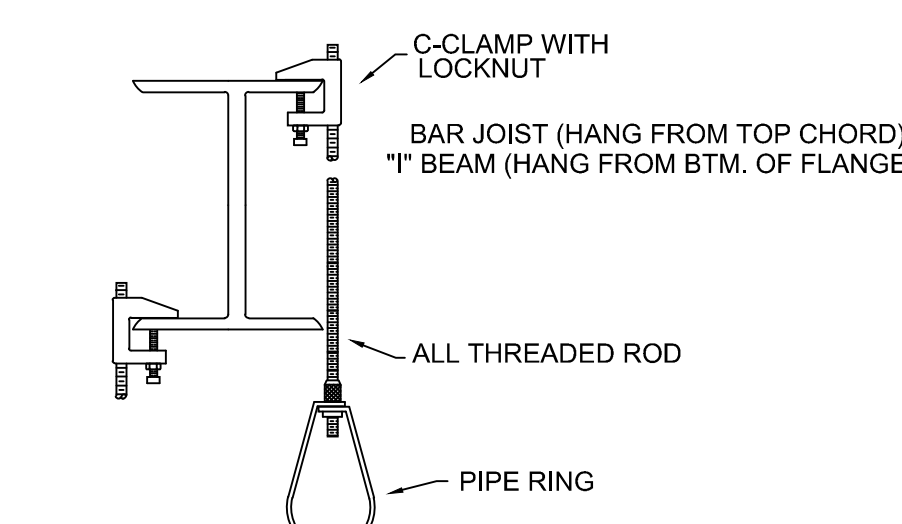
DETAIL - COMBINATION RISER W/ FDV & ZCVS (STARWELL)

SCALE: NTS

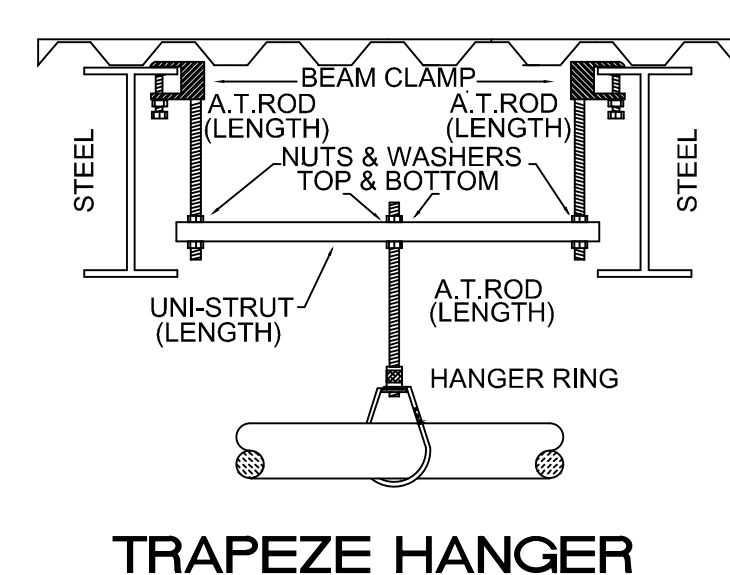
DETAIL - WALL FIRE HYDRANT

SCALE: NTS

6



C-CLAMP HANGER



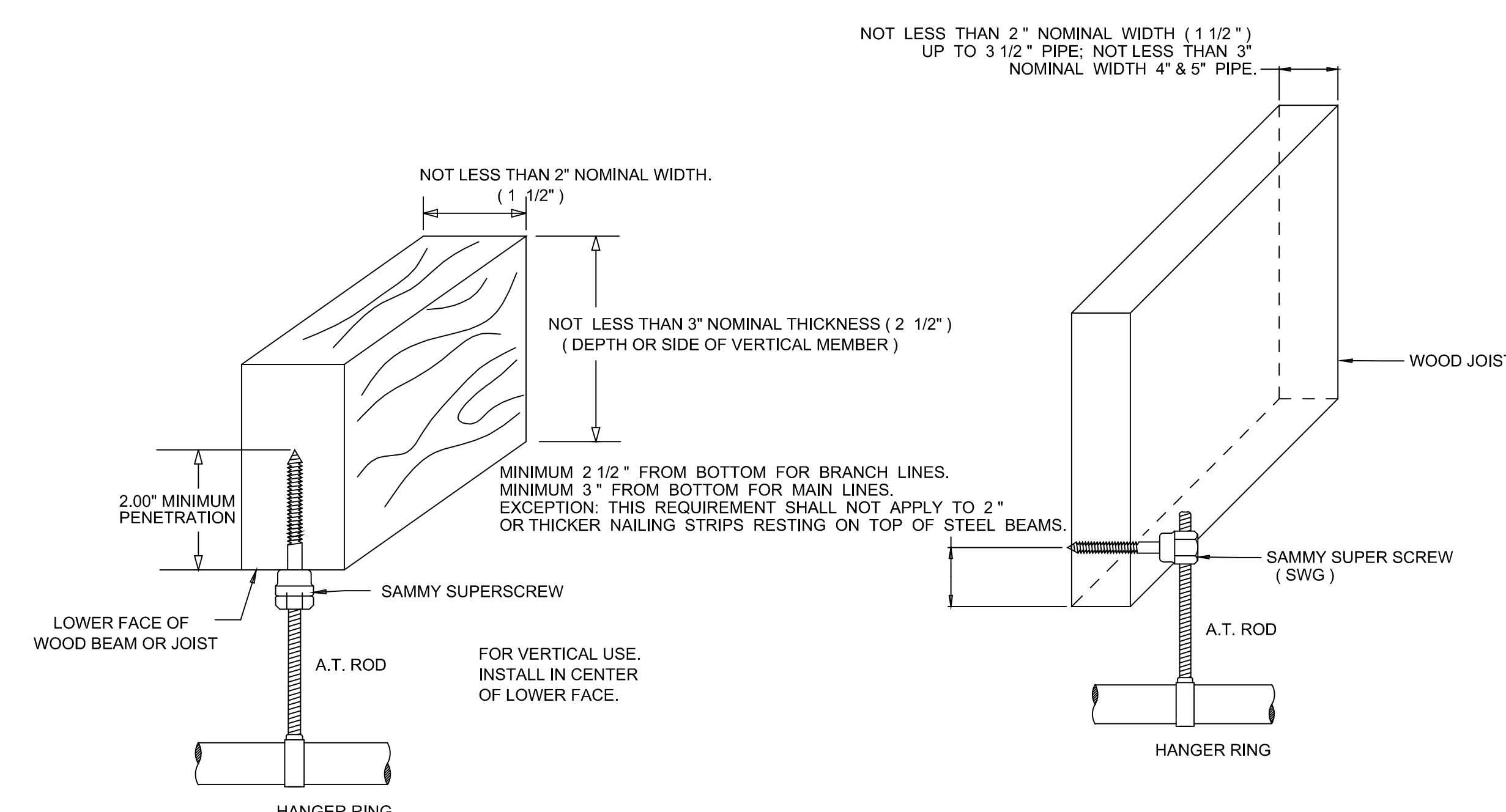
TRAPEZE HANGER

** INSTALLED AS PER NFPA 13 - (10'-0") **

PIPE HANGER DETAIL @ STEEL STRUCTURE (UNPROTECTED)

SCALE: NTS

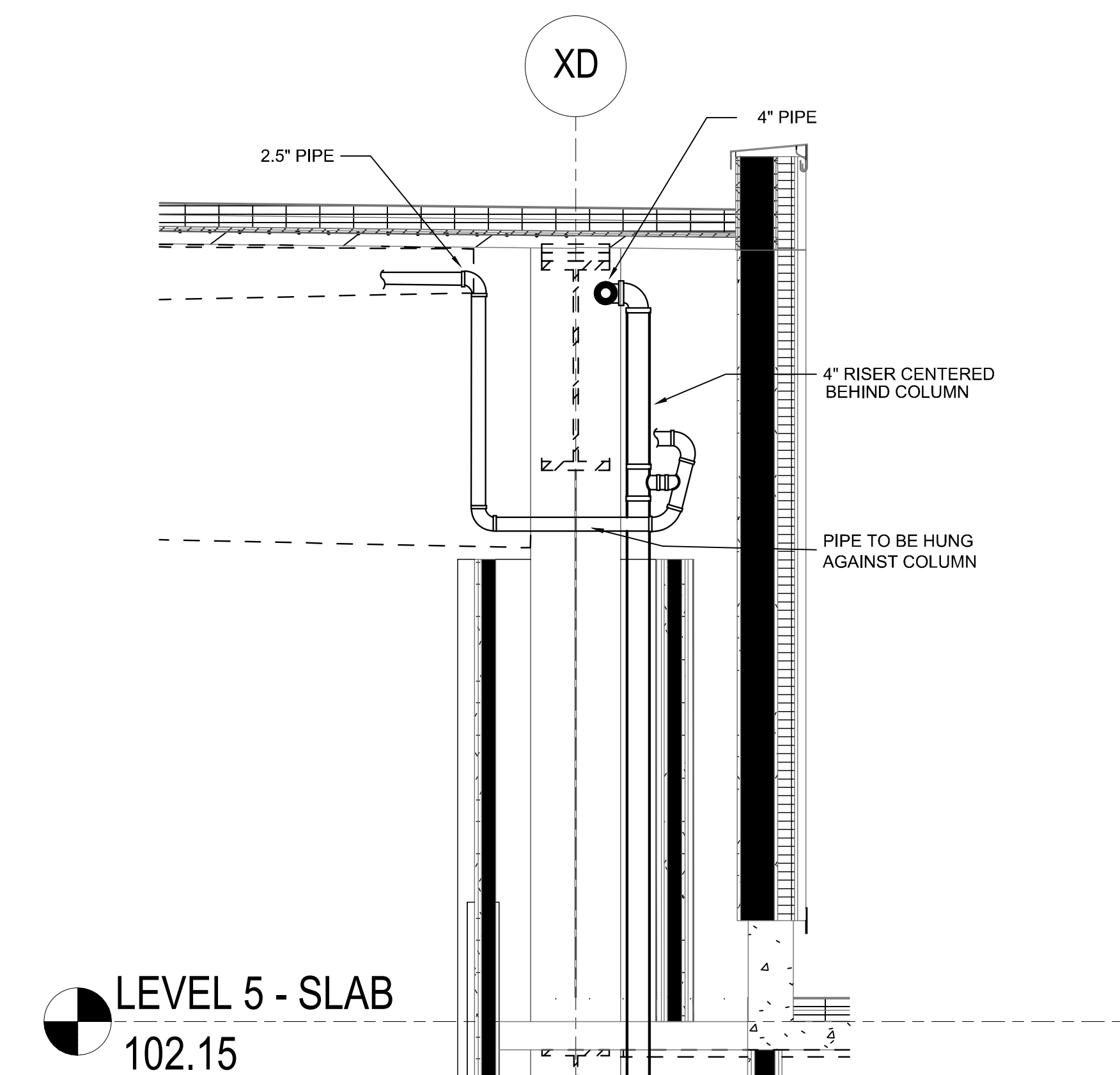
1



PIPE HANGER DETAILS @ WOOD MEMBERS

SCALE: NTS

2



4 INCH MAIN SPRINKLER RUN ON 5TH FLOOR

SCALE: NTS

3

GENERAL NOTES

A SEE SHEET FP00.01 FOR LEGEND, SCHEDULES & GENERAL NOTES.

THESE DRAWINGS ARE ISSUED FOR CONSTRUCTION AND REFLECT ALL FRM ISSUED BULLETINS AND SKETCHES.

Issue	Date	Issue Description	By	Check
01	12/03/08	SRD	SRD	WMC
02	01/23/09	75% CONSTRUCTION DOCUMENTS	MHY	JLD
03	10/26/09	95% CONSTRUCTION DOCUMENTS	RDV	JLD
145	04/09/11	ISSUED FOR PERMIT	SKD	
		ISSUED FOR CONSTRUCTION		

Seal/Signature

Adam Duffin
05/04/2010

Project Name

PWM Terminal Enhancement

Project Number

08.0395.000

CAD File Name

FP12.01.dwg

Description

FIRE PROTECTION DETAILS

Scale

AS NOTED

FP12.01

©2009 Gensler