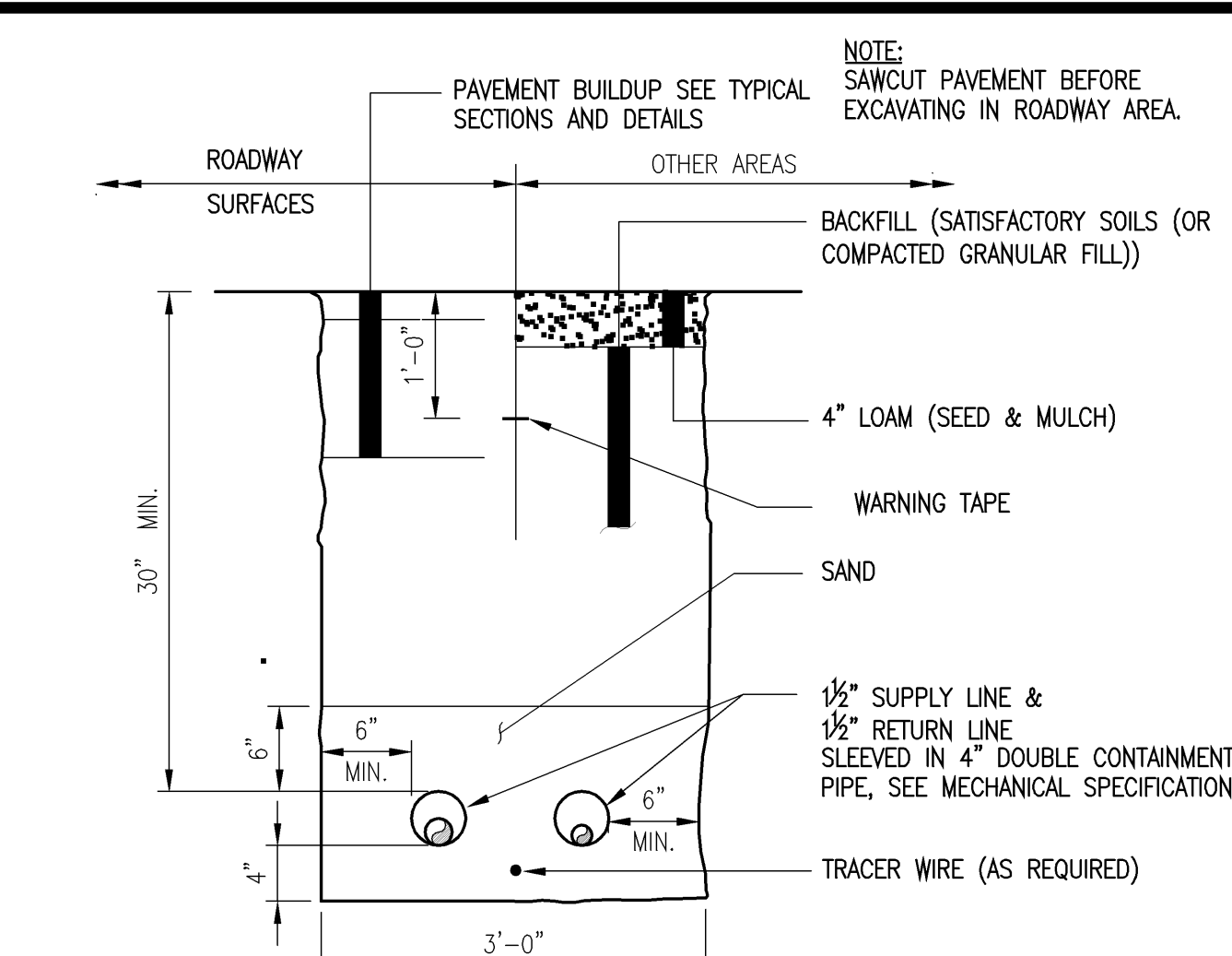
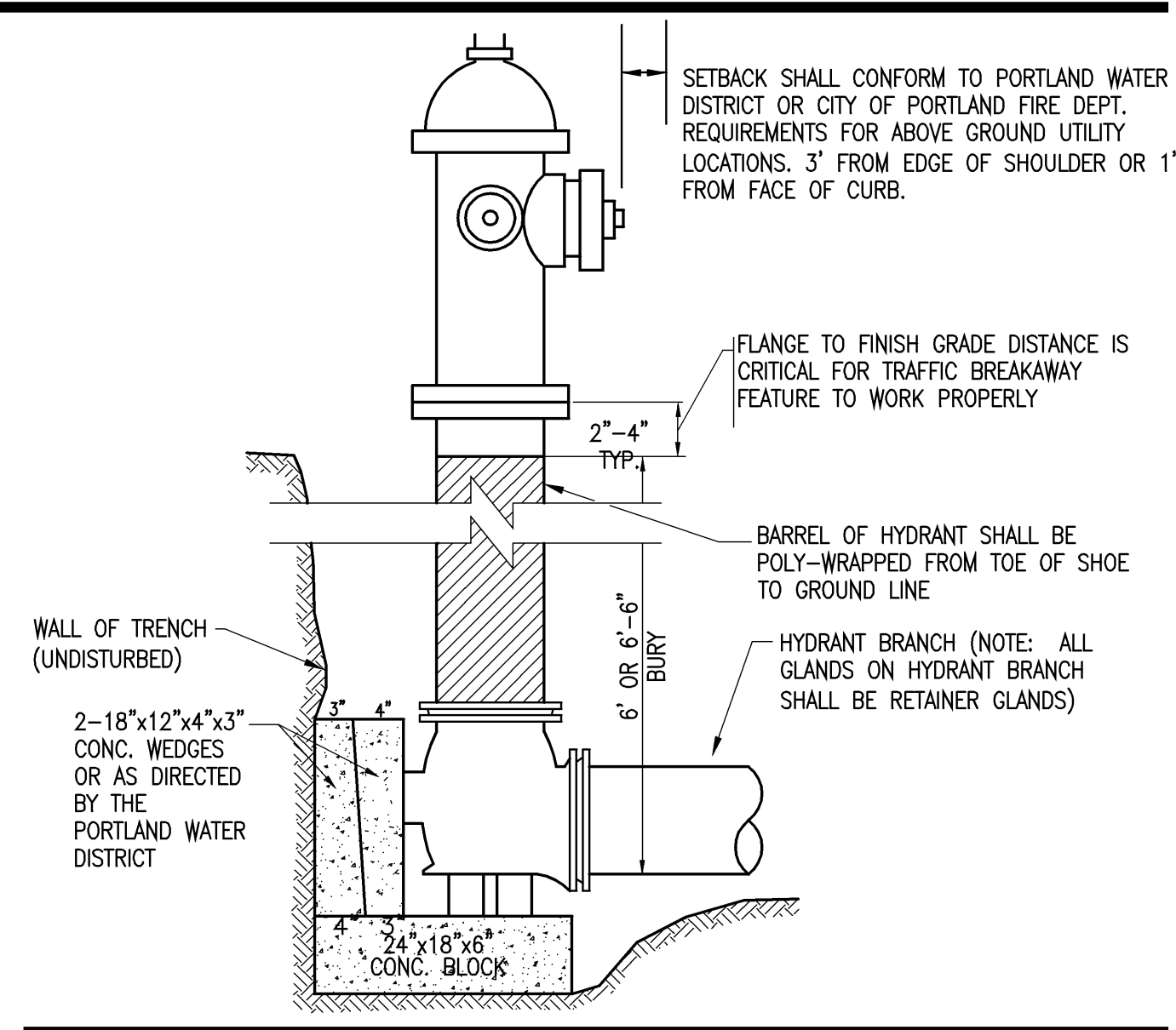


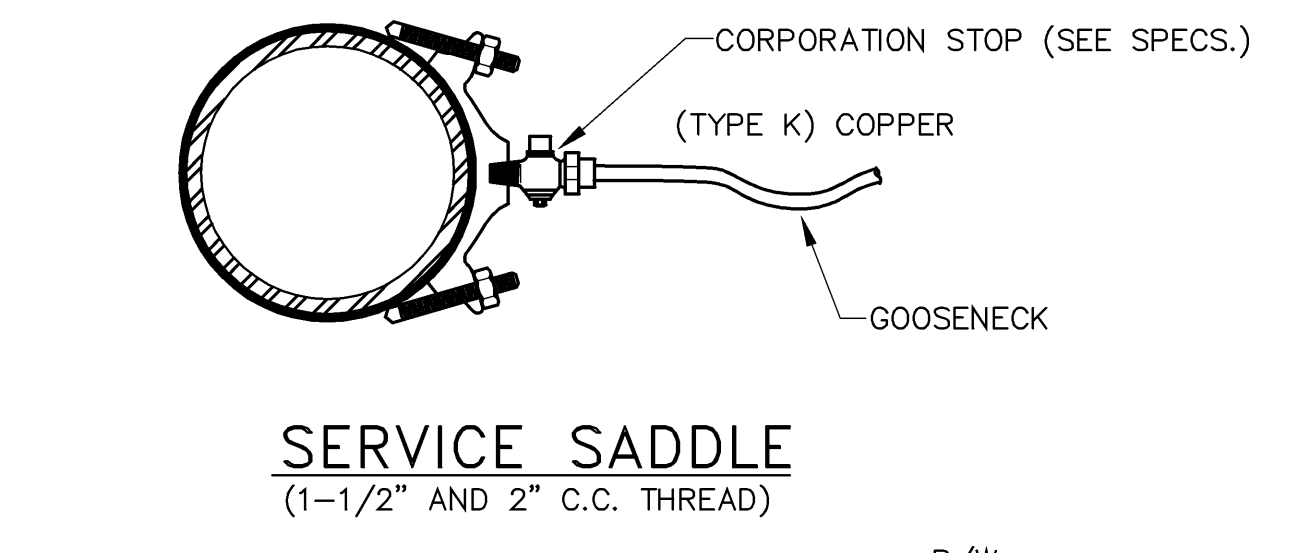
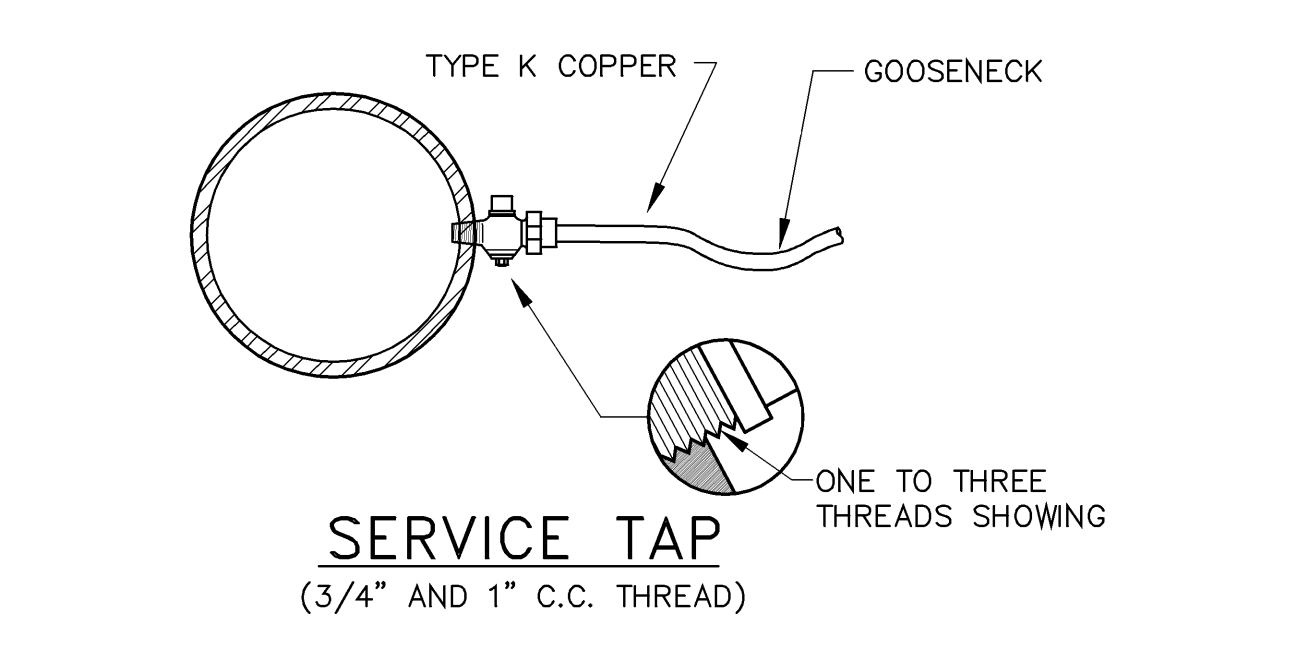
ELECTRIC MANHOLE
SCALE: NOT TO SCALE **11**



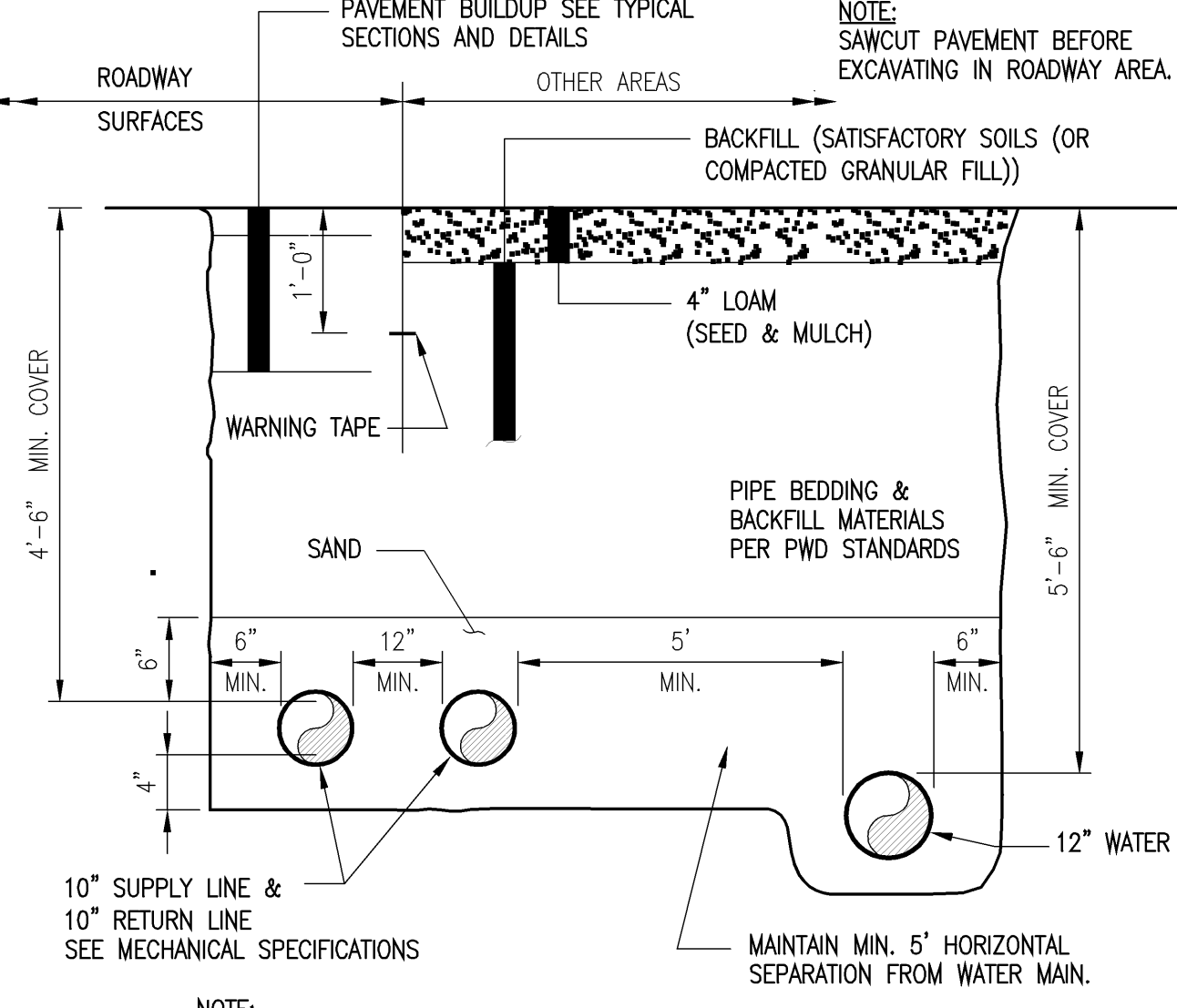
HEATING OIL TRENCH
SCALE: NOT TO SCALE **6**



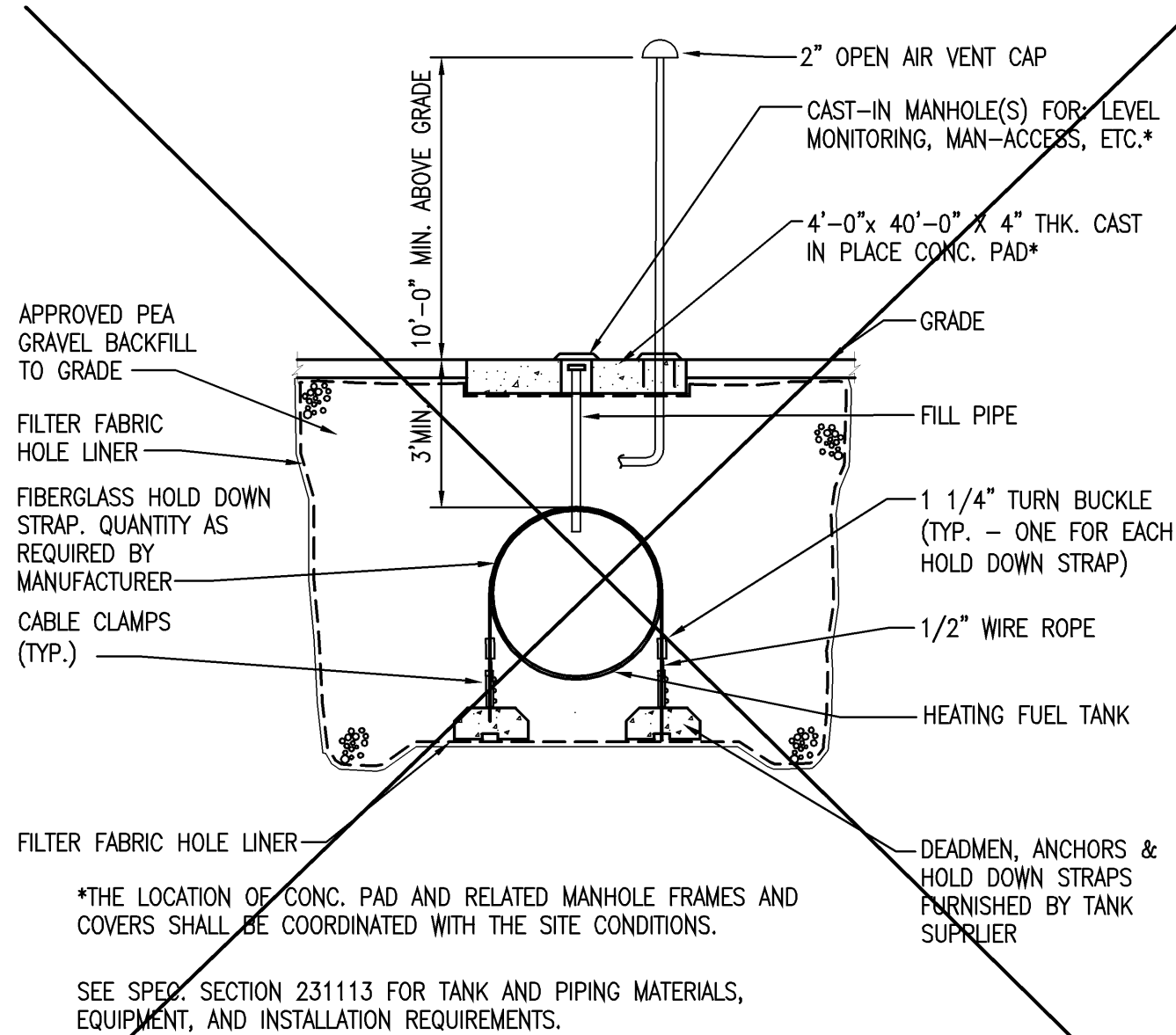
HYDRANT INSTALLATION
SCALE: NOT TO SCALE **1**



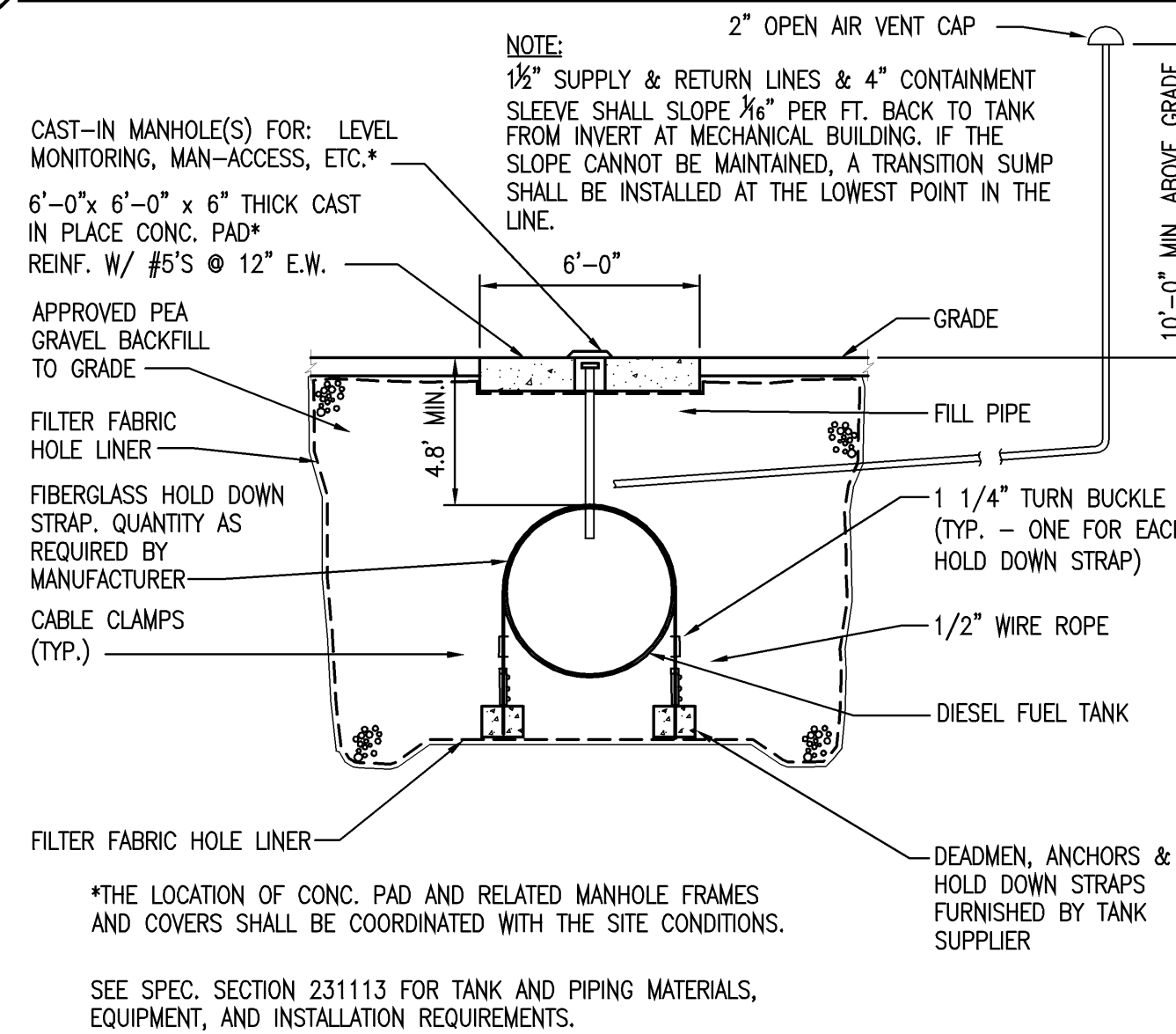
SERVICE CONNECTION
SCALE: NOT TO SCALE **12**



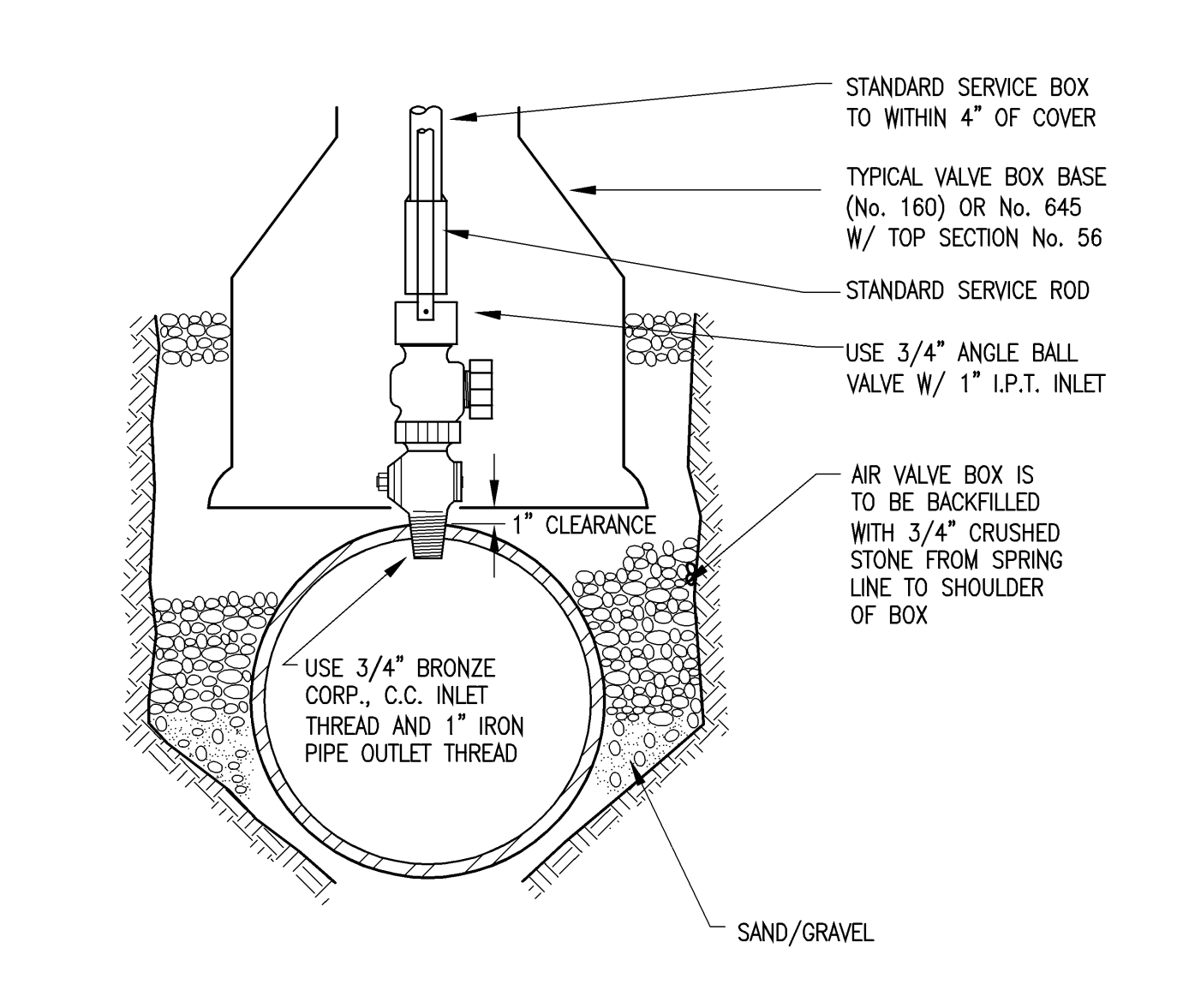
GEOHERMAL PIPING TRENCH
SCALE: NOT TO SCALE **13**



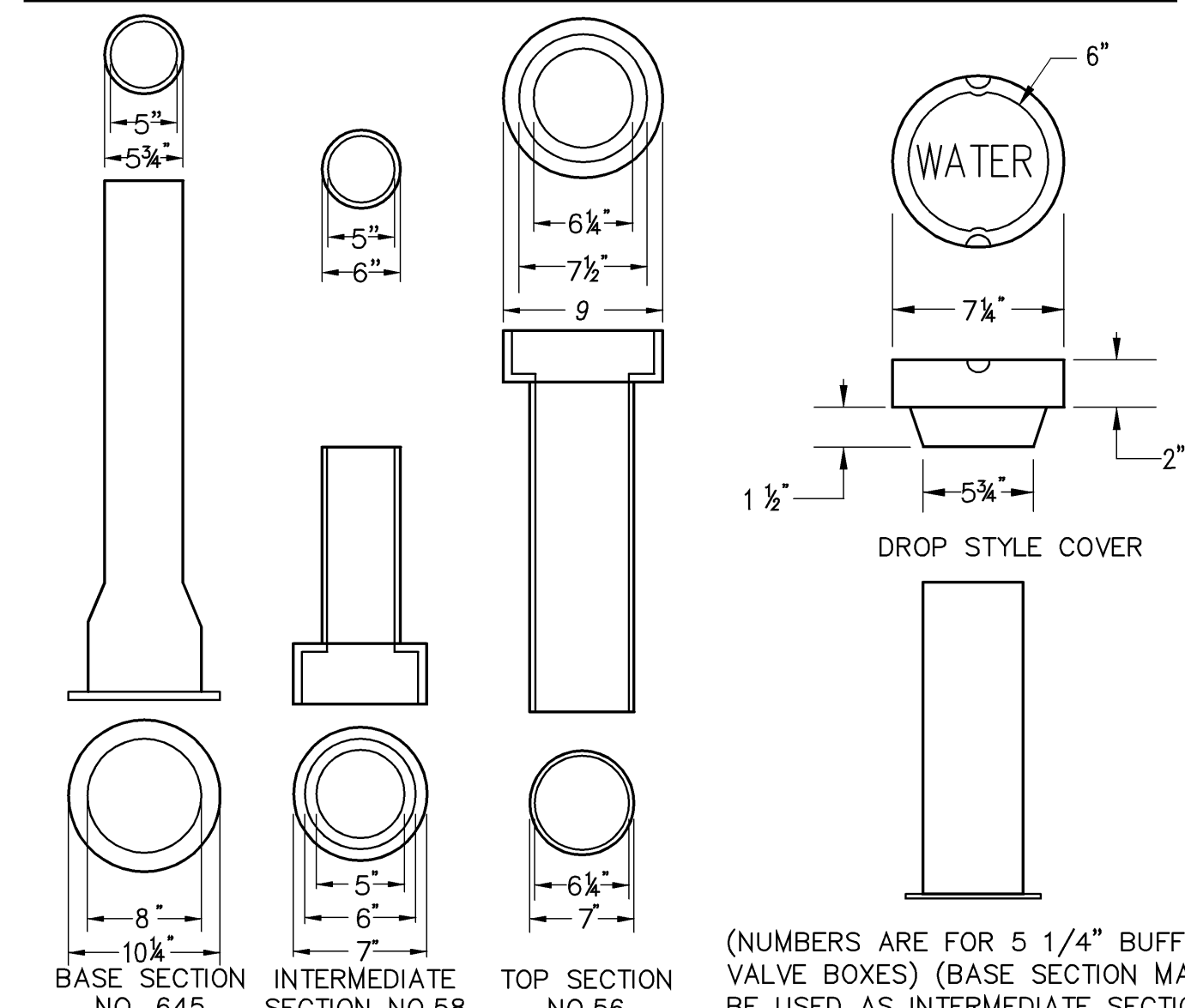
HEATING OIL TANK SECTION
SCALE: NOT TO SCALE **7**



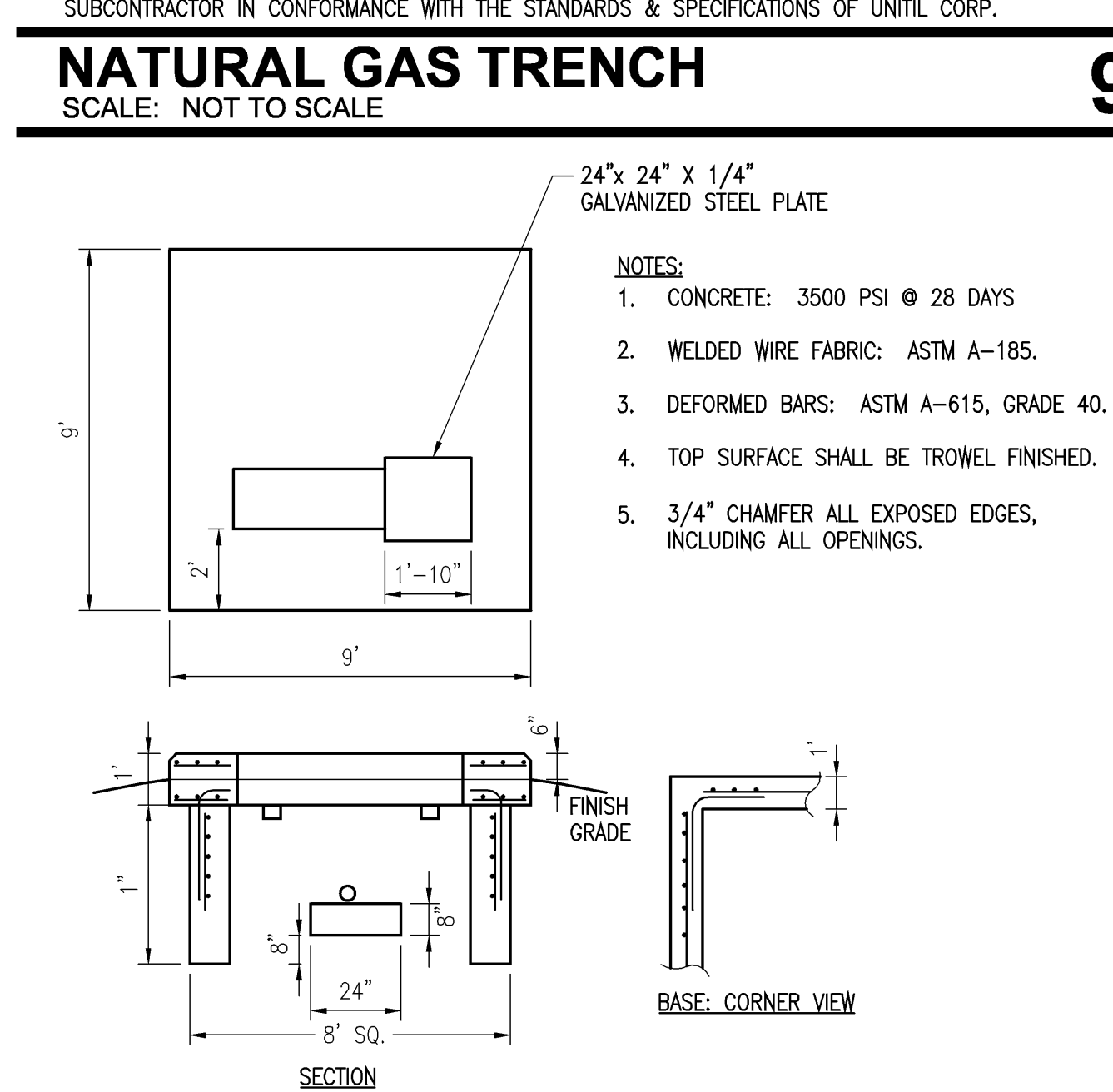
FUEL TANK SECTION
SCALE: NOT TO SCALE **8**



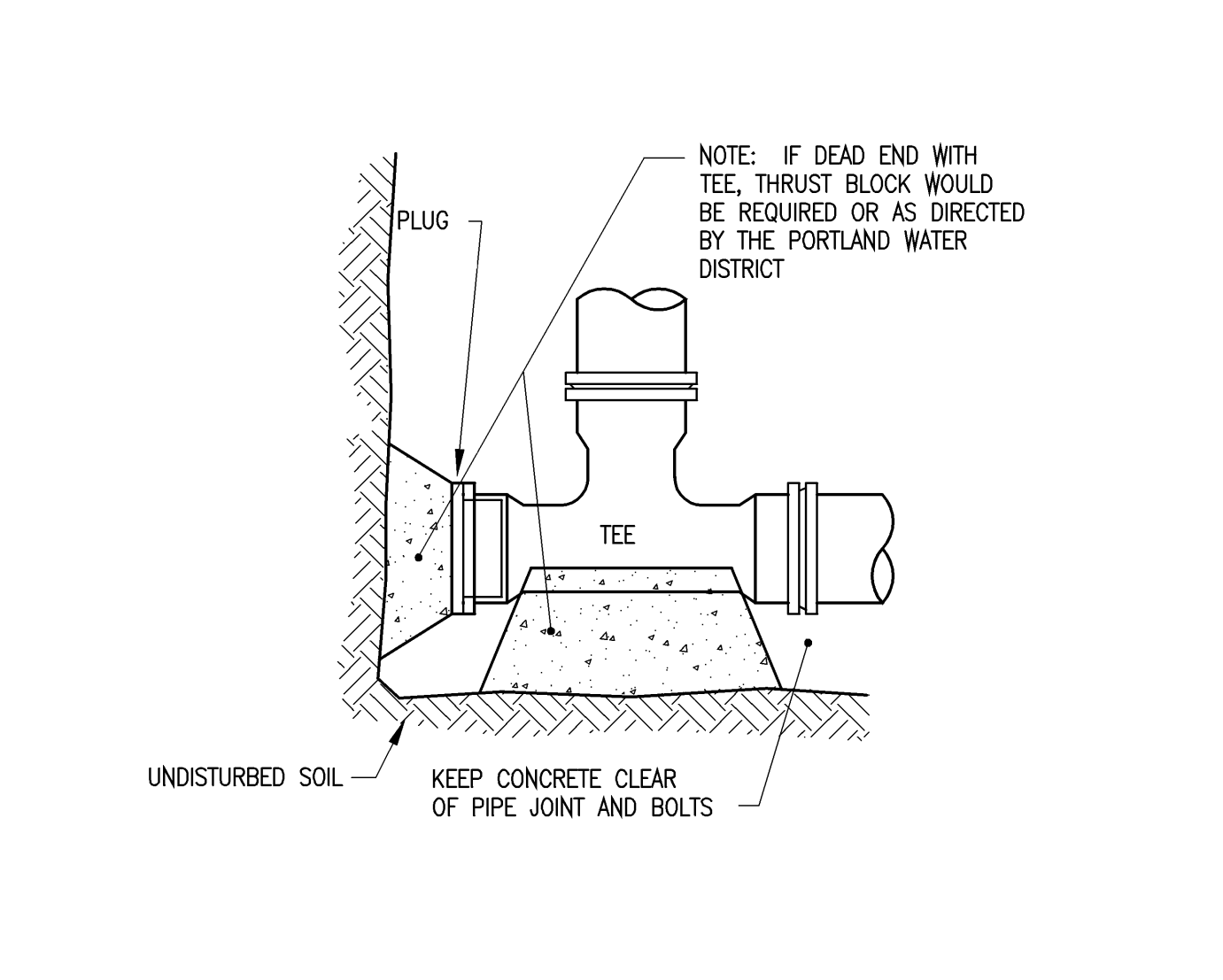
AIR VALVE
SCALE: NOT TO SCALE **2**



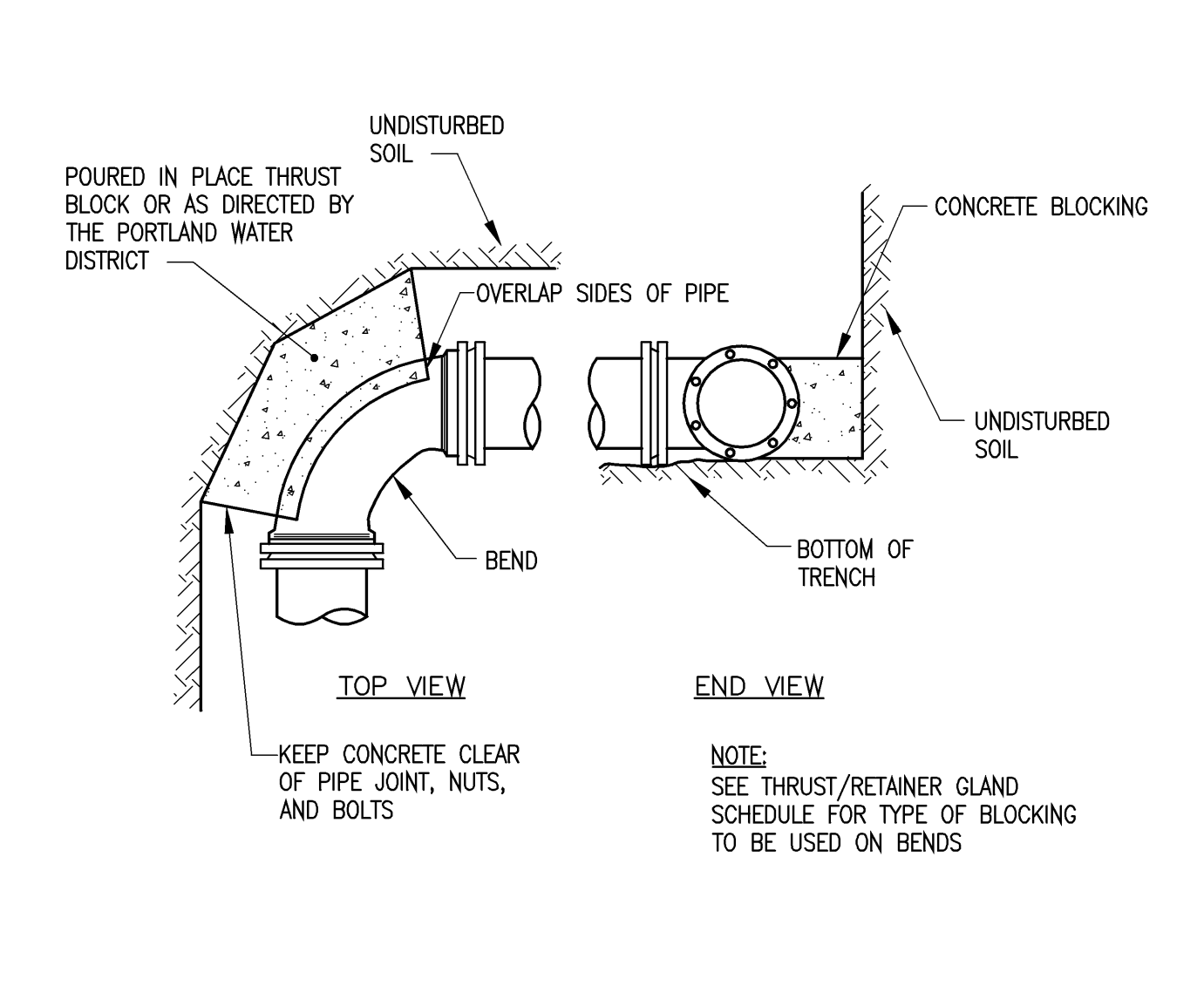
VALVE BOX & COVER
SCALE: NOT TO SCALE **3**



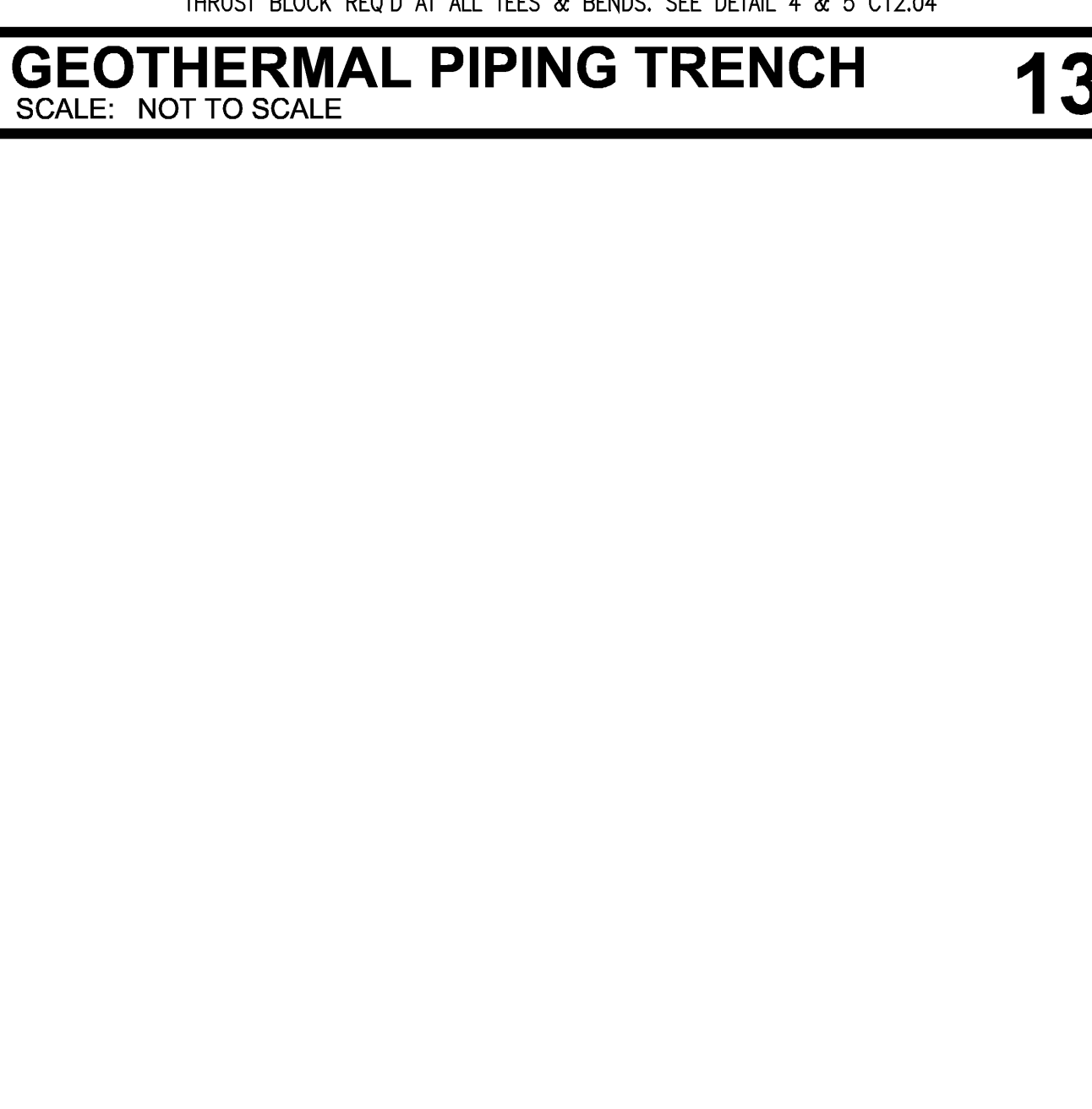
NATURAL GAS TRENCH
SCALE: NOT TO SCALE **9**



STANDARD TEE BLOCKING
SCALE: NOT TO SCALE **4**



STANDARD BEND BLOCKING
SCALE: NOT TO SCALE **5**



TRANSFORMER PAD
SCALE: NOT TO SCALE **10**

SHEET NOTES

GENERAL NOTES

- WATER UTILITY DETAILS ARE ALL IN CONFORMANCE WITH PORTLAND WATER DISTRICT'S WATER & WASTEWATER SYSTEM CONSTRUCTION SPECIFICATIONS' LATEST REVISION DATE: NOV. 1, 2007.

Portland International Jetport
1001 Westbrook Street
Portland, Maine 04102

Gensler

oest ASSOCIATES, INC.
engineers • architects • surveyors • construction managers

amec
343 Gorham Road, South Portland ME 04106
P: (207) 761-1770 F: (207) 774-1246 www.amec.com

THESE DRAWINGS ARE ISSUED FOR CONSTRUCTION AND REFLECT ALL AMEC ISSUED BULLETINS AND SKETCHES.

Issue	Date	Issue Description	By	Check
1	09/22/08	DESIGN DEVELOPMENT	W/W	AWL
2	12/03/08	75% CONSTRUCTION DOCUMENTS	W/W	AWL
3	01/23/09	95% CONSTRUCTION DOCUMENTS	W/W	AWL
4	10/26/09	ISSUED FOR PERMIT	W/W	FFM
5	01/12/10	BULLETIN #1	W/W	TM
6	05-21-10	BULLETIN #4C	W/W	MSD
7	09/01/11	ISSUED FOR CONSTRUCTION	W/W	SDH

Project Name: PWM Terminal Enhancement
Project Number: 08.6396.000
CAD File Name: T:\5330101\SHEETS\C12.04.DWG
Description: UTILITY SECTIONS & DETAILS
Scale: AS NOTED

C12.04

©2009 Gensler