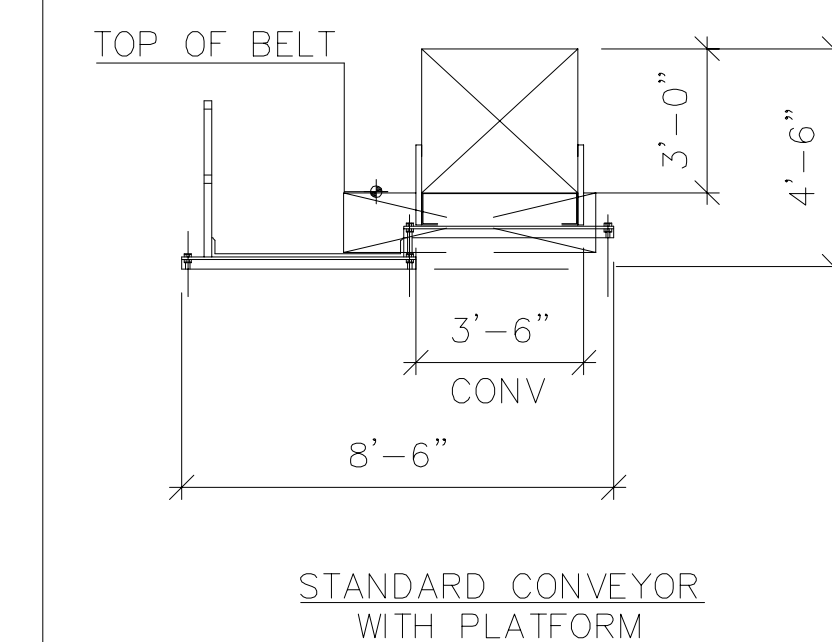
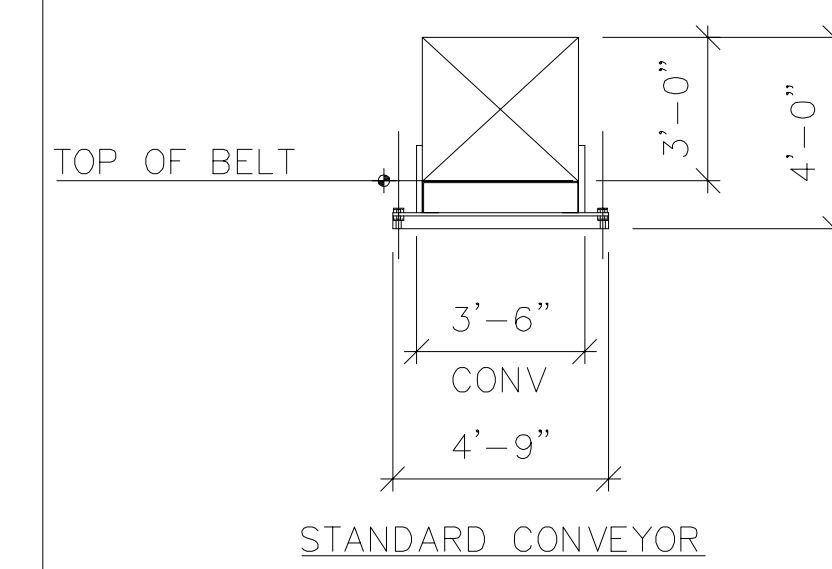


SHEET NOTES

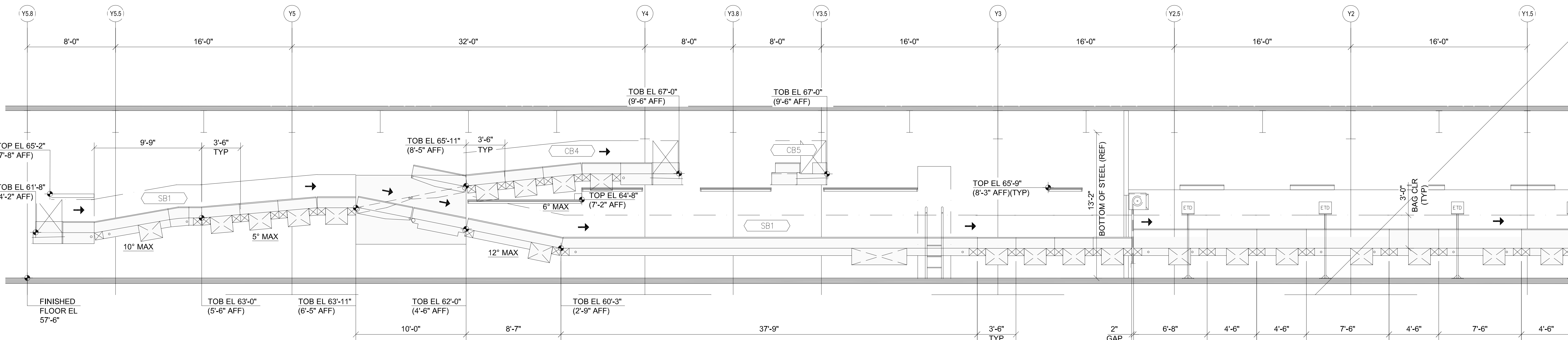
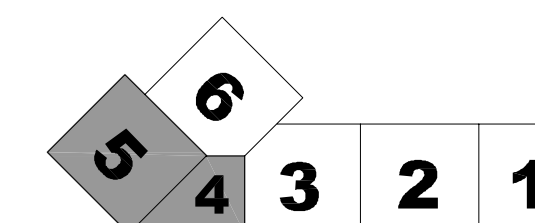
LEGEND



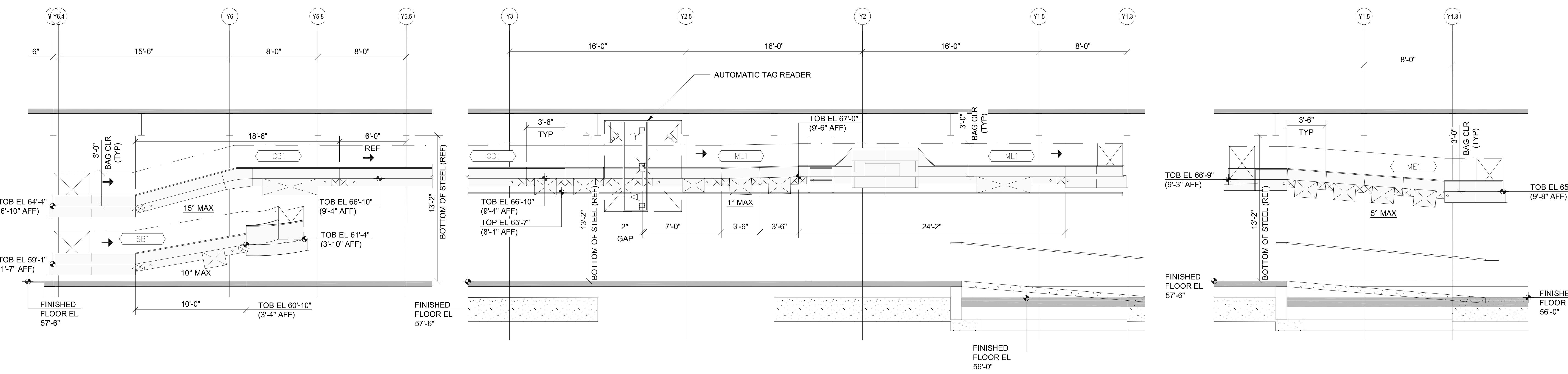
GENERAL NOTES

- THE FOLLOWING, TOGETHER WITH THE PROJECT SPECIFICATIONS AND BHS DRAWINGS SHALL APPLY:
- CHECK AND FIELD VERIFY ALL BHS RELATED DIMENSIONS ON THE JOB SITE BEFORE PROCEEDING WITH WORK, AND BE RESPONSIBLE FOR THEIR ACCURACY. IF DISCREPANCIES ARE FOUND BETWEEN THE BHS DRAWINGS, SPECIFICATIONS AND FIELD CONDITIONS, THEY SHALL BE REPORTED TO THE OWNER'S REPRESENTATIVE.
 - NO DIMENSIONS SHALL BE SCALED, DRAWINGS DIMENSIONS SHOWN SHALL BE USED.
 - REFERENCE STRUCTURAL DRAWINGS FOR BEAM LOCATIONS.
 - FOR ADDITIONAL BHS RIGHT-OF-WAY DETAILS SEE B12 SERIES.
 - ALL TICKET COUNTERS AND BAG WELLS SHALL NOT BE BHS CONTRACTOR.
 - BHS CONTRACTOR TO COORDINATE WITH ALL OTHER TRADES TO MAINTAIN BAGGAGE SYSTEM RIGHT-OF-WAY.
 - ALL DIMENSIONS ARE FROM COLUMN CENTER LINE TO FACE OF CONVEYOR SIDE GUARD, UNLESS OTHERWISE NOTED.
 - ALL OTHER TRADES TO MAINTAIN 3'-0" CLEAR RIGHT-OF-WAY FROM TOP OF BELT TO NEAREST OBSTRUCTION. HANGING OF ANY EQUIPMENT COMPONENTS MECHANICAL, ELECTRICAL, PLUMBING, HVAC... FROM THE CONVEYOR, CATWALK OR ASSOCIATED SUPPORTS IS NOT ALLOWED.
 - ALL BHS RIGHT-OF-WAY SHALL TAKE PRECEDENCE OVER ALL OTHER BUILDING SERVICES (MECHANICAL DUCT WORK AND PIPES, ELECTRICAL CONDUIT, SECURITY CONDUIT, FIRE PROTECTION PIPING, PLUMBING PIPES, ETC.)
 - ALL FINISHED FLOOR DIMENSIONS ARE TAKEN FROM THE HIGH POINT OF THE FINISHED FLOOR.

KEY PLAN



O SECTION - SUSPECT BAG CONVEYOR
B09.05 1/4" = 1'-0"



P SECTION - SUSPECT BAG & CLEAR BAG CONVEYORS
B09.05 1/4" = 1'-0"

Q SECTION - MAINLINE AUTOMATIC TAG READER
B09.05 1/4" = 1'-0"

R SECTION - MANUAL ENCODING
B09.05 1/4" = 1'-0"

Issue	Date & Issue Description	By	Check
01	9/15/09	BNP	JWIKS
02	10/26/09	BNP	JWIKS

See Signature

Project Name
PJM Terminal Expansion

Project Number
09.0395.000

CAD File Name
B09.05.dwg

Description
SECTIONS Q-R

Scale