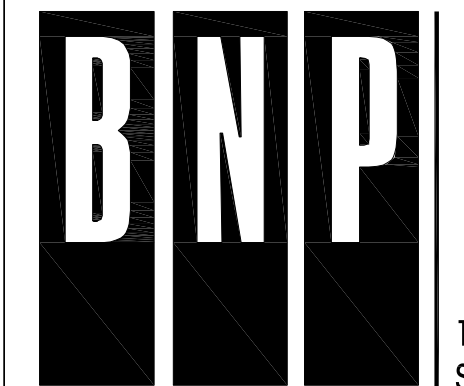


SHEET NOTES

**Portland International
Jetport**
1001 Westbrook Street
Portland, Maine 04102

Gensler

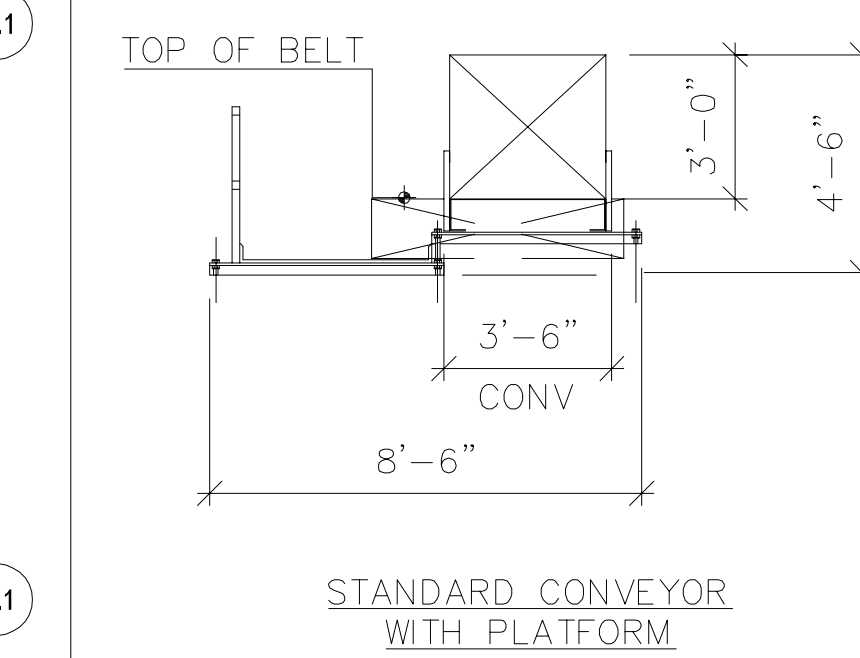
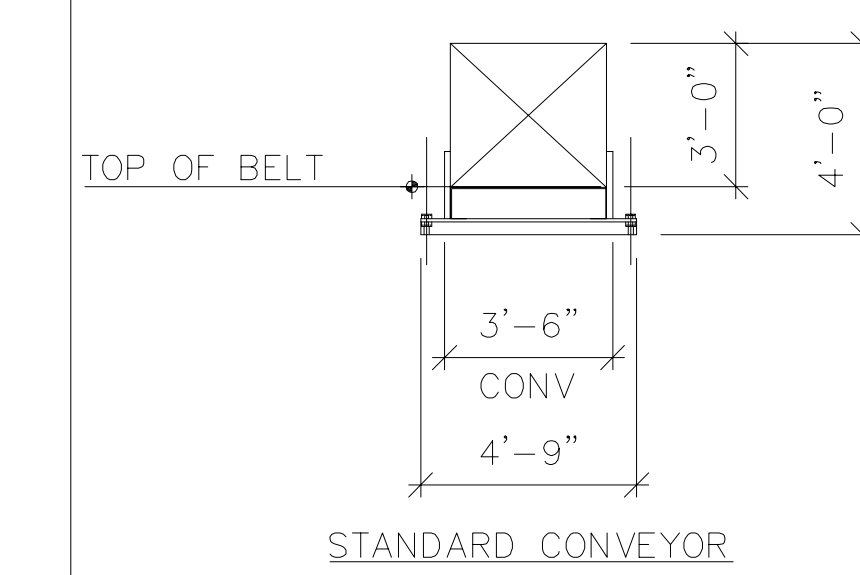
2020 K Street, NW
Suite 200
Washington, DC 20006
Telephone 202.721.5200
Facsimile 202.872.8587



PHONE: 203.792.3000
FAX: 203.792.4900
BNPHQ@BNPASSOCIATES.COM

101 EAST RIDGE OFFICE PARK
SUITE 103
DANBURY, CT 06810 USA

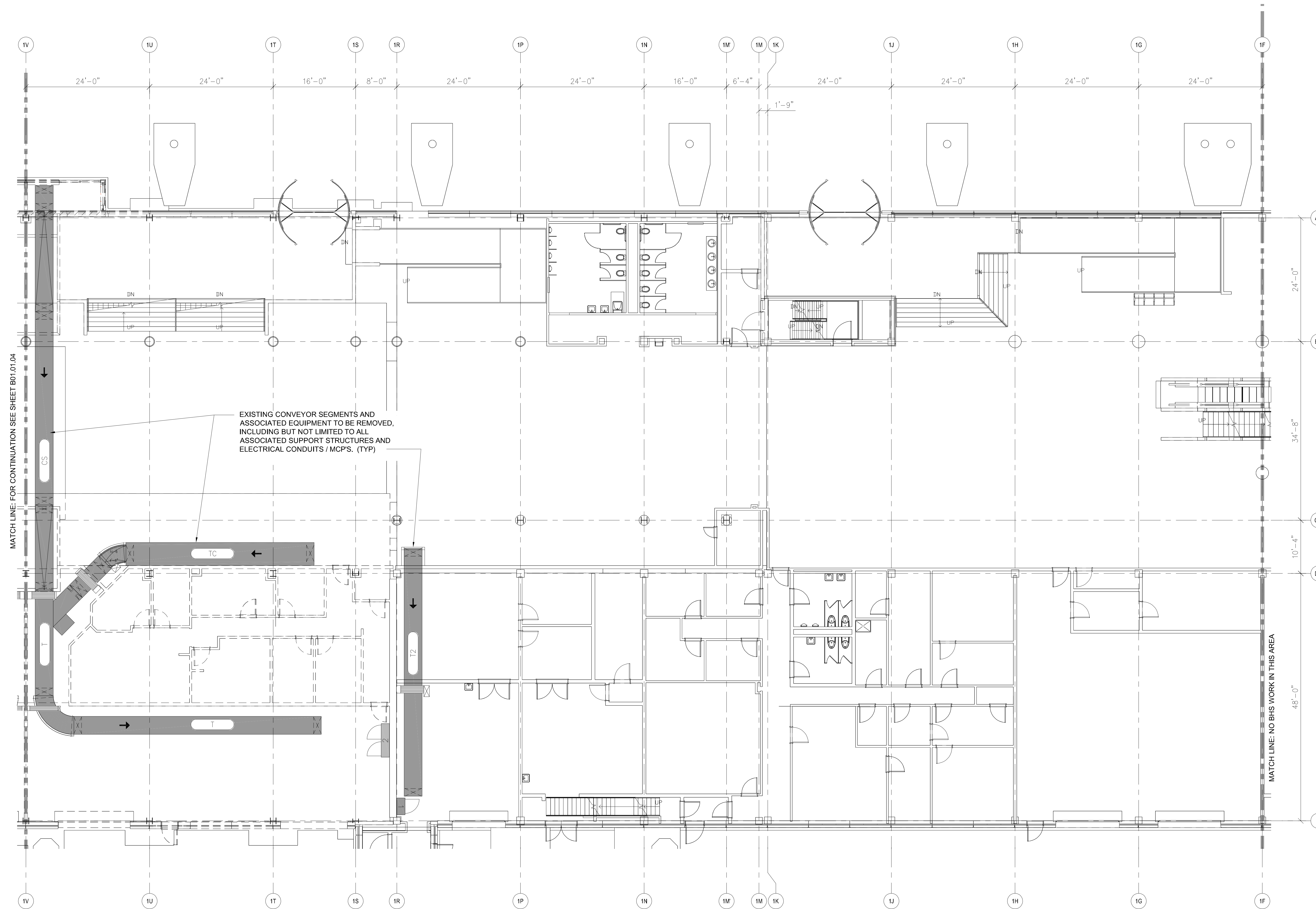
LEGEND



GENERAL NOTES

Issue	Date & Issue Description	By	Check
01	7/15/09	BNP	JWIKS
02	9/15/09	BNP	JWIKS
03	10/26/09	BNP	JWIKS

KEY PLAN



EXISTING CONVEYOR SEGMENTS AND ASSOCIATED EQUIPMENT TO BE REMOVED, INCLUDING BUT NOT LIMITED TO ALL ASSOCIATED SUPPORT STRUCTURES AND ELECTRICAL CONDUITS / MCPS. (TYP)

MATCH LINE FOR CONTINUATION SEE SHEET B01.01.04

MATCH LINE: NO BHS WORK IN THIS AREA

1 PARTIAL PLAN EXISTING - DEMOLITION ZONE 3
B01.01.03 1/8" = 1'-0"

See Signature

Project Name
PJM Terminal Expansion

Project Number
09.6395.000

CAD File Name
B01.01.03.dwg

Description
BAGGAGE HANDLING PLAN - LEVEL 1 - ZONE 3

Scale

Ref. North

B01.01.03

©2008 Gensler