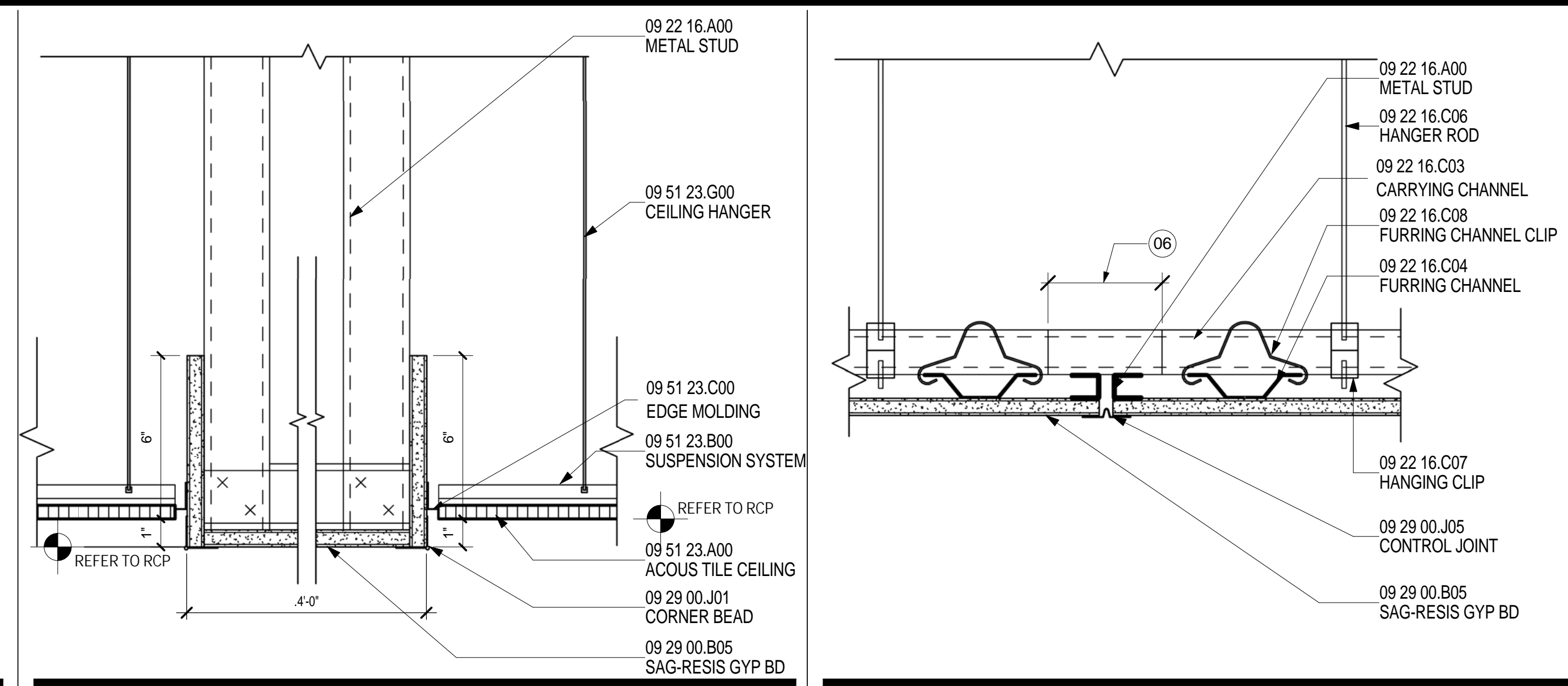
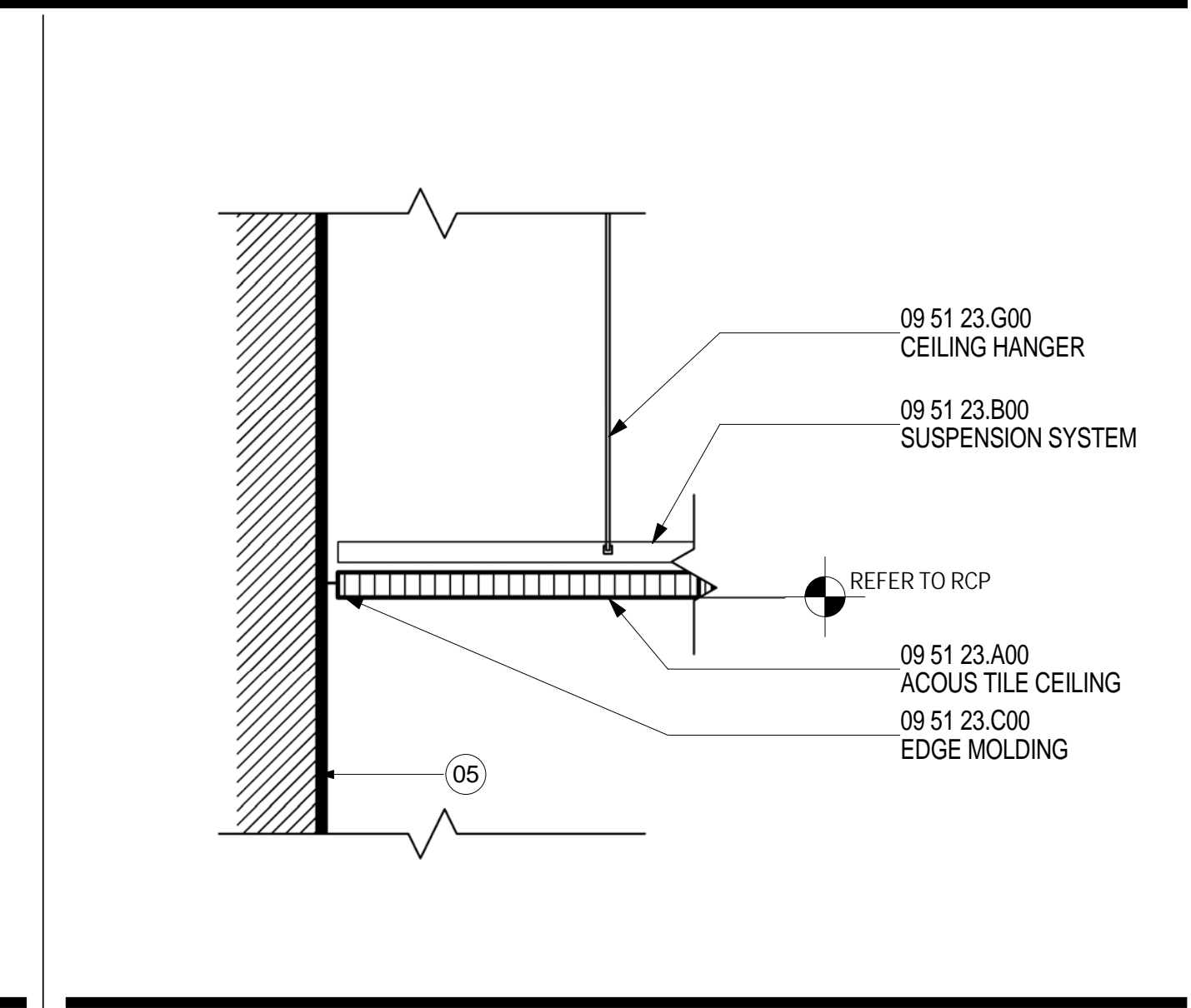


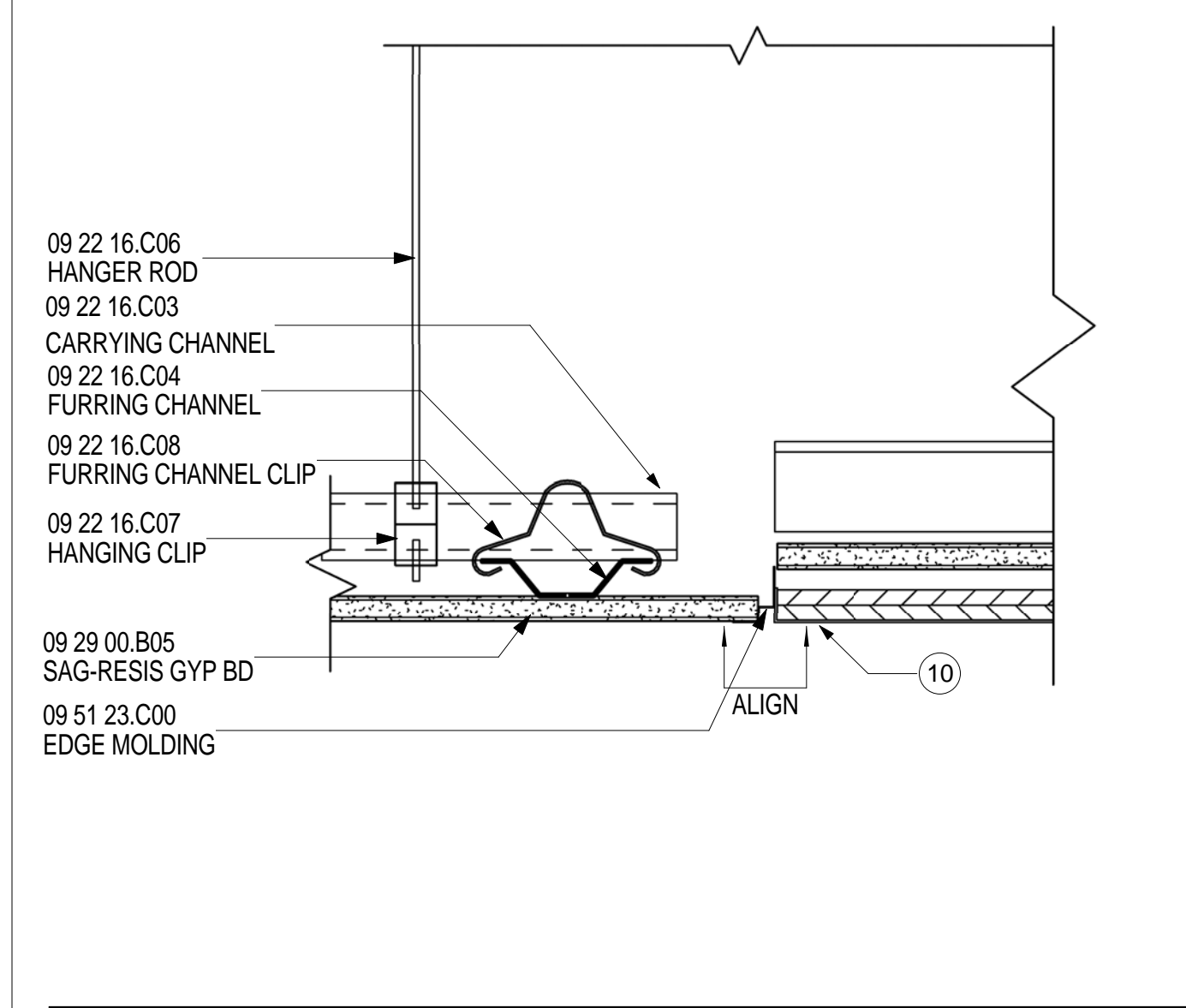
**GYP HEADER @ CONCESSION**  
SCALE: 3" = 1'-0"  
A04.03.02 16



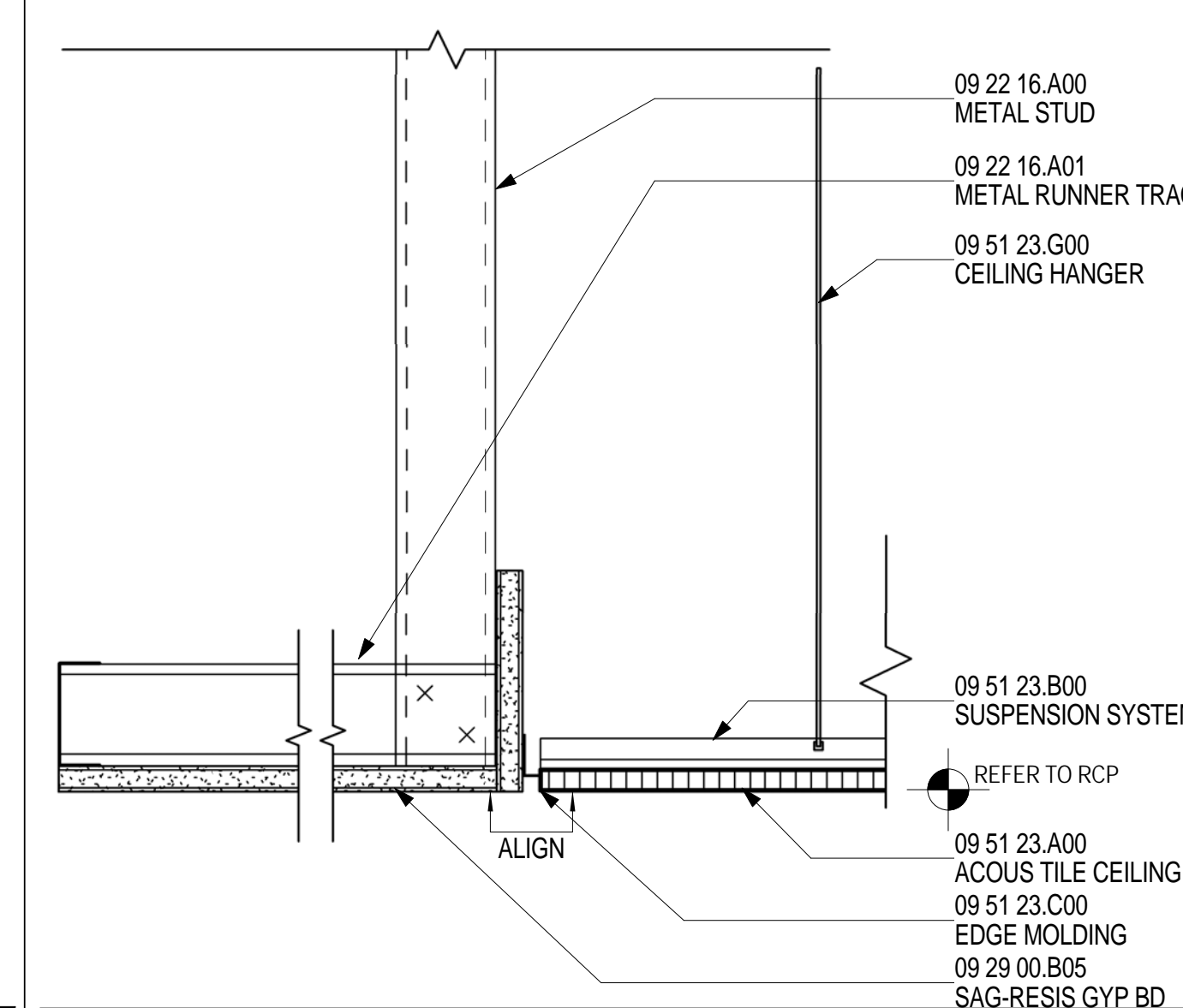
**GYP BD HEADER @ HOLDROOM**  
SCALE: 3" = 1'-0"  
A04.03.02 11



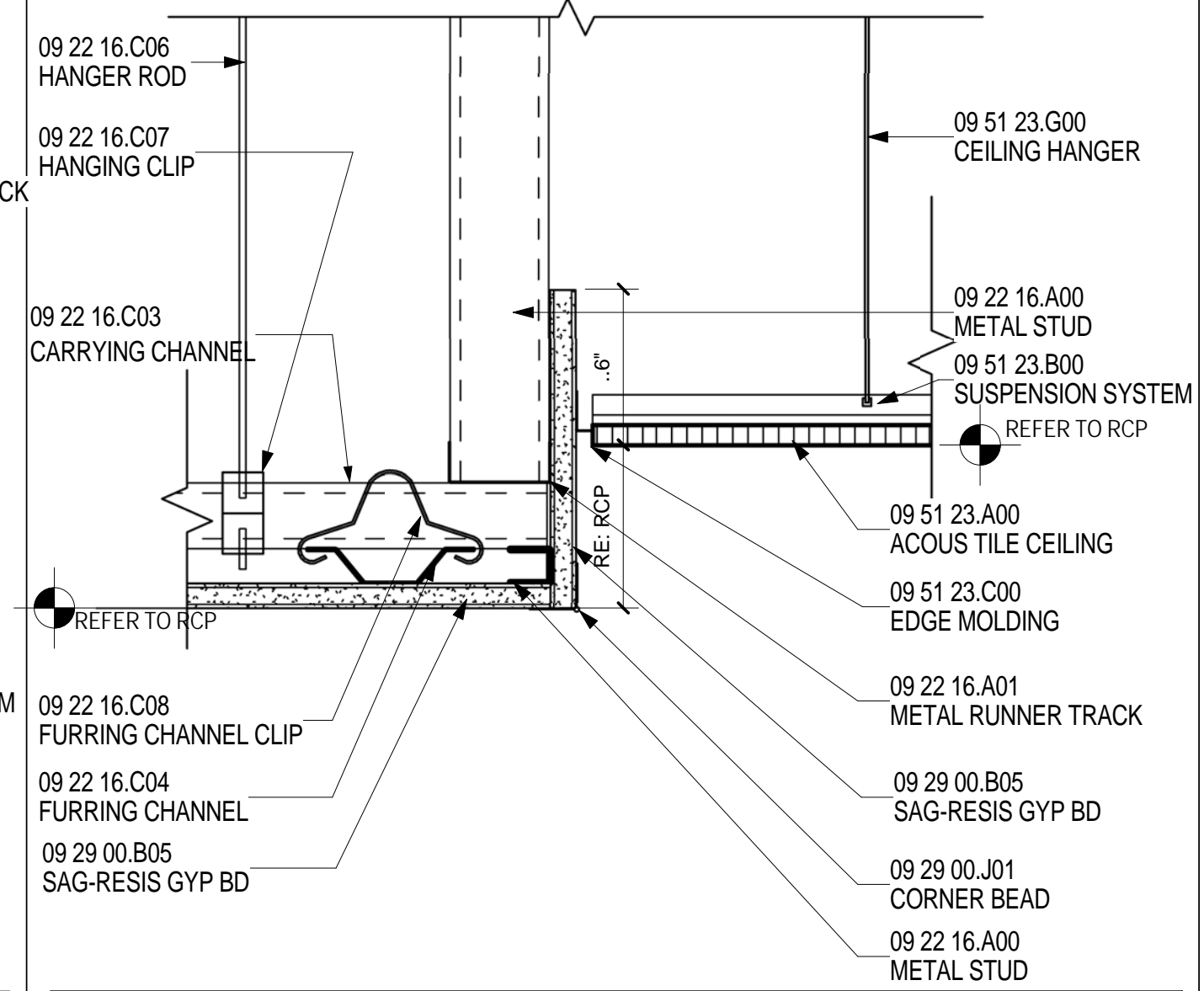
**CONTROL JOINT AT GYP BOARD**  
SCALE: 3" = 1'-0"  
A04.01.03 1



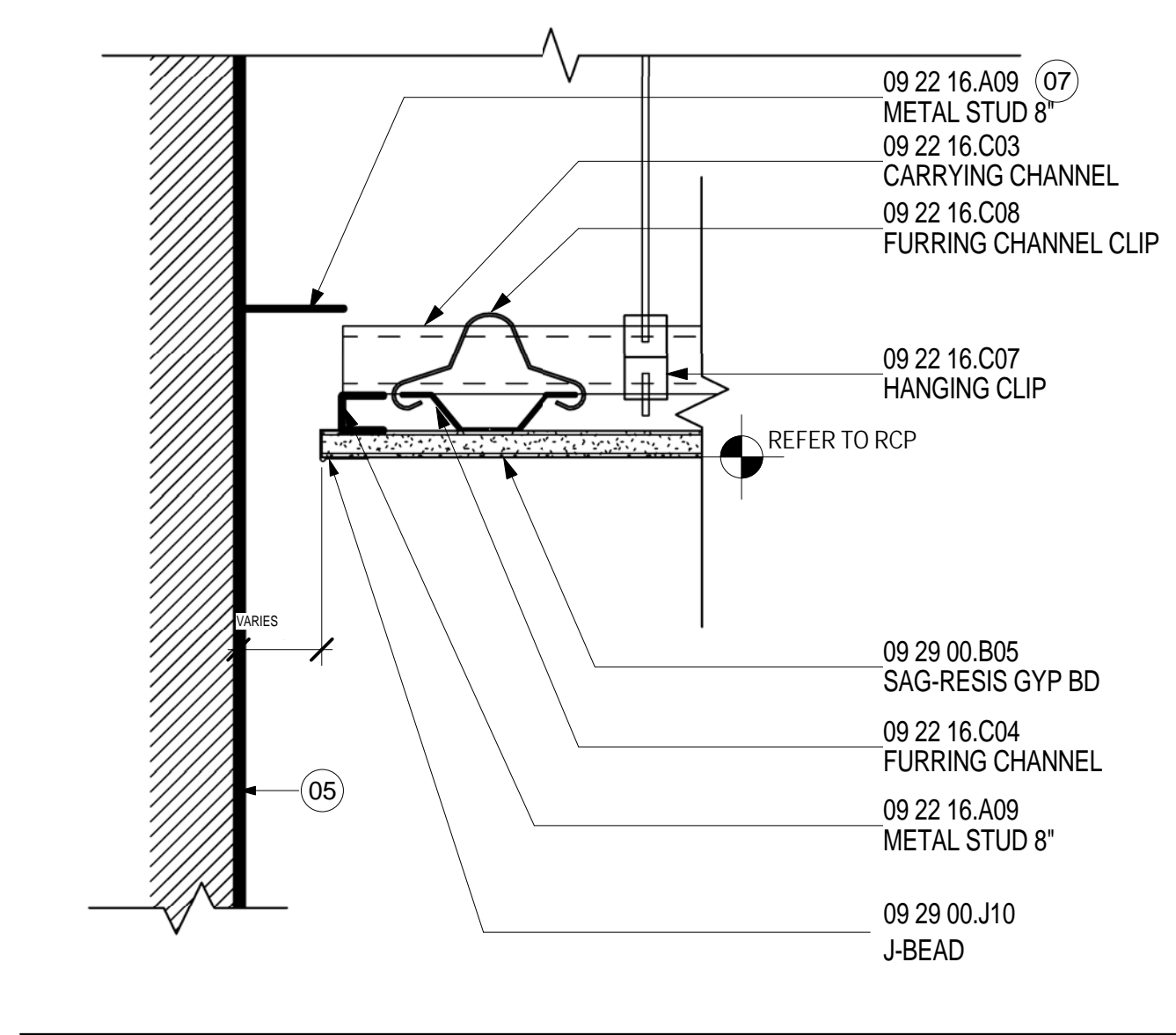
**PORTAL @ FOOD COURT**  
SCALE: 3" = 1'-0"  
A04.03.02 19



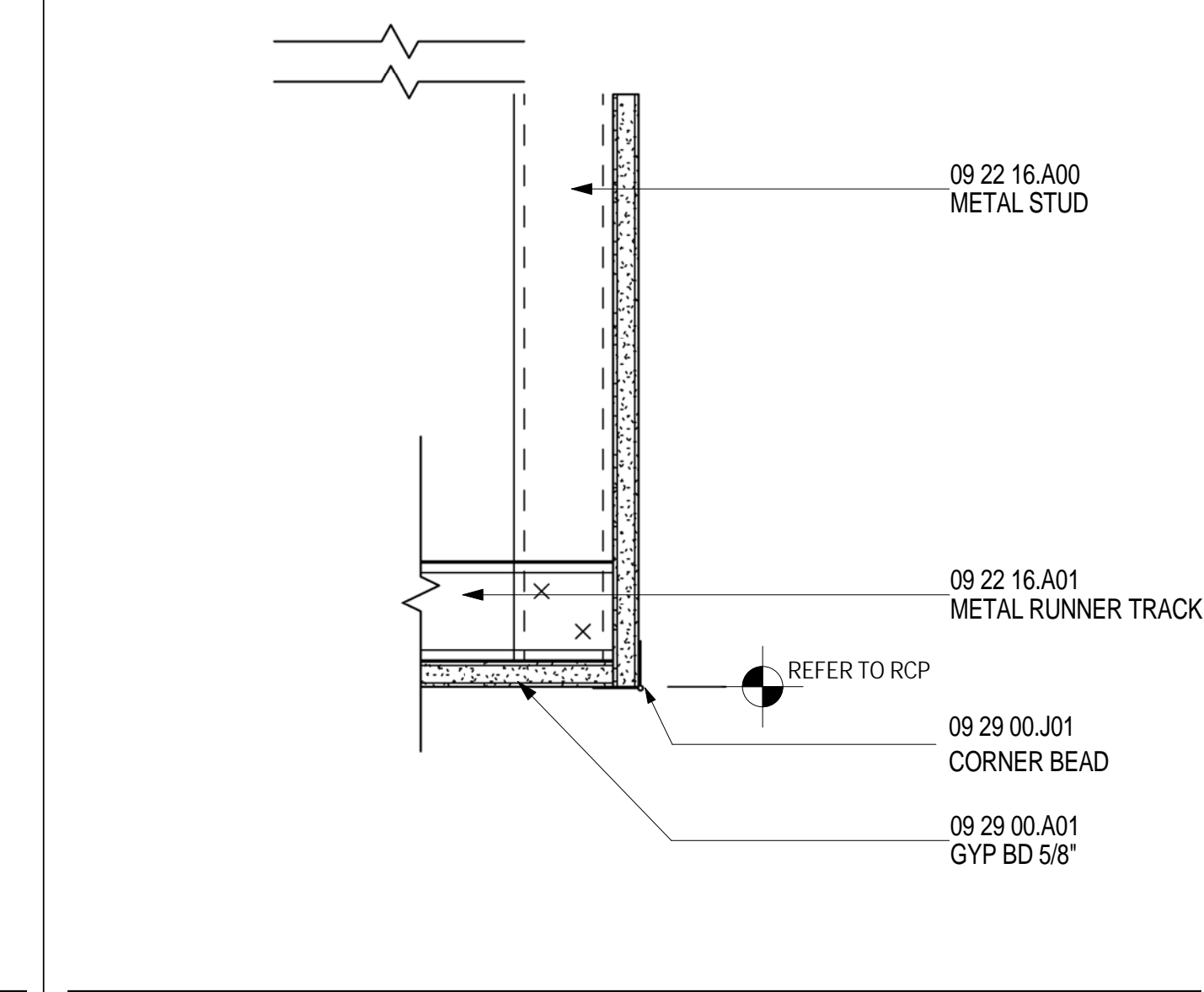
**ACT/GYP TRANSITION @ FOOD COURT**  
SCALE: 3" = 1'-0"  
A04.03.02 17



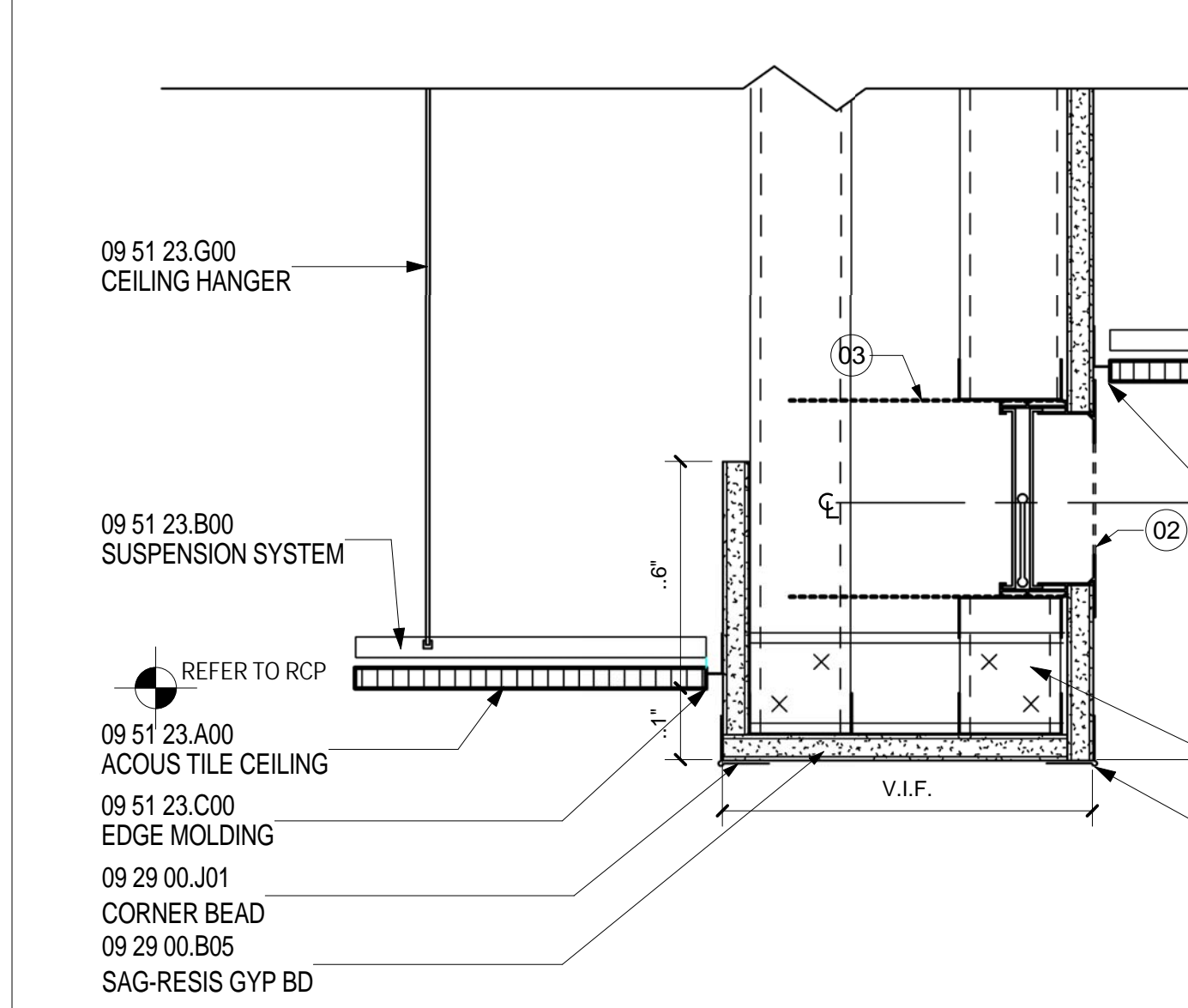
**GYP/ACT TRANSITION @ HOLDROOM**  
SCALE: 3" = 1'-0"  
A04.03.02 12



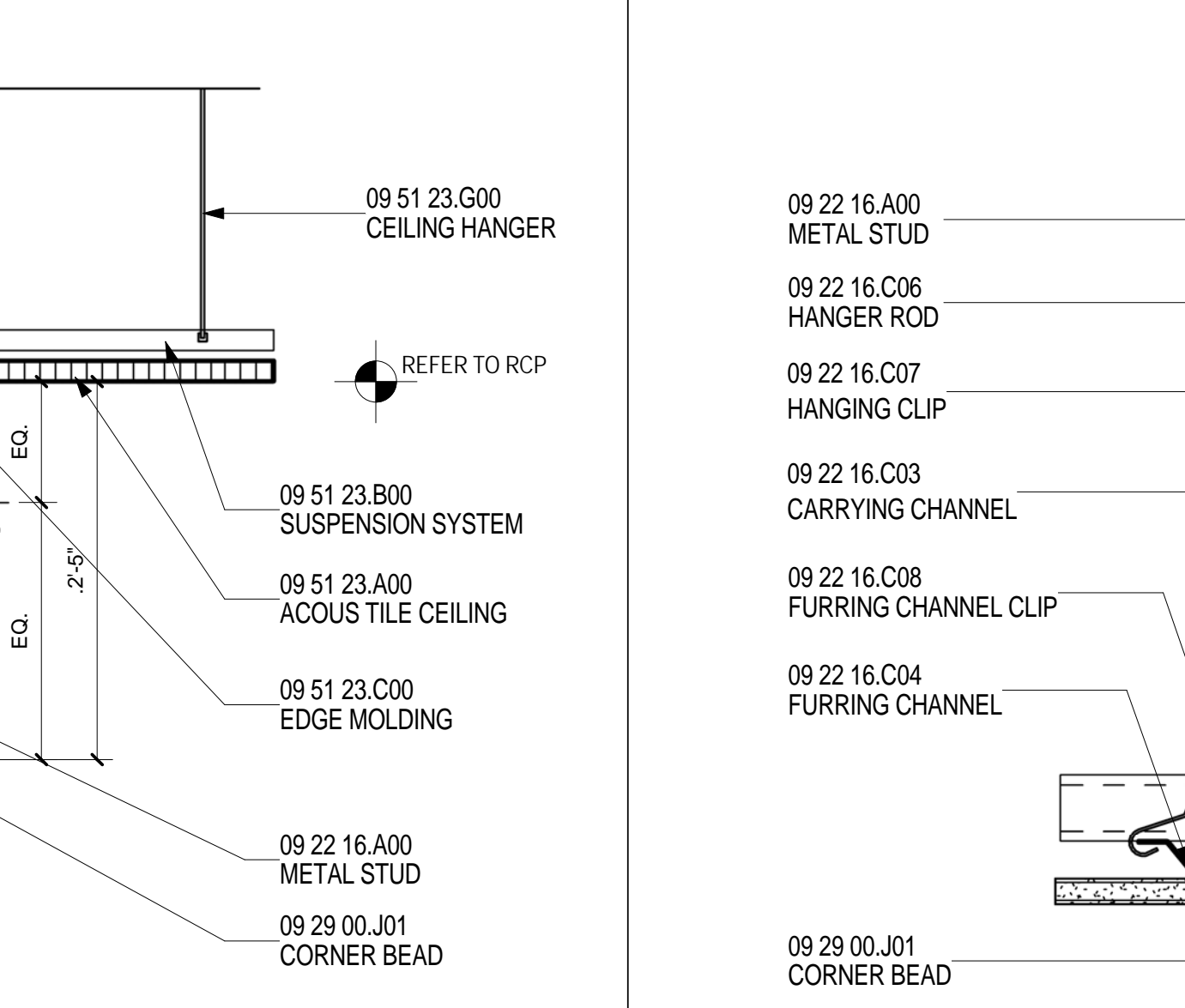
**GYP CEILING AT DEMISING PARTITION**  
SCALE: 3" = 1'-0"  
A04.03.02 7



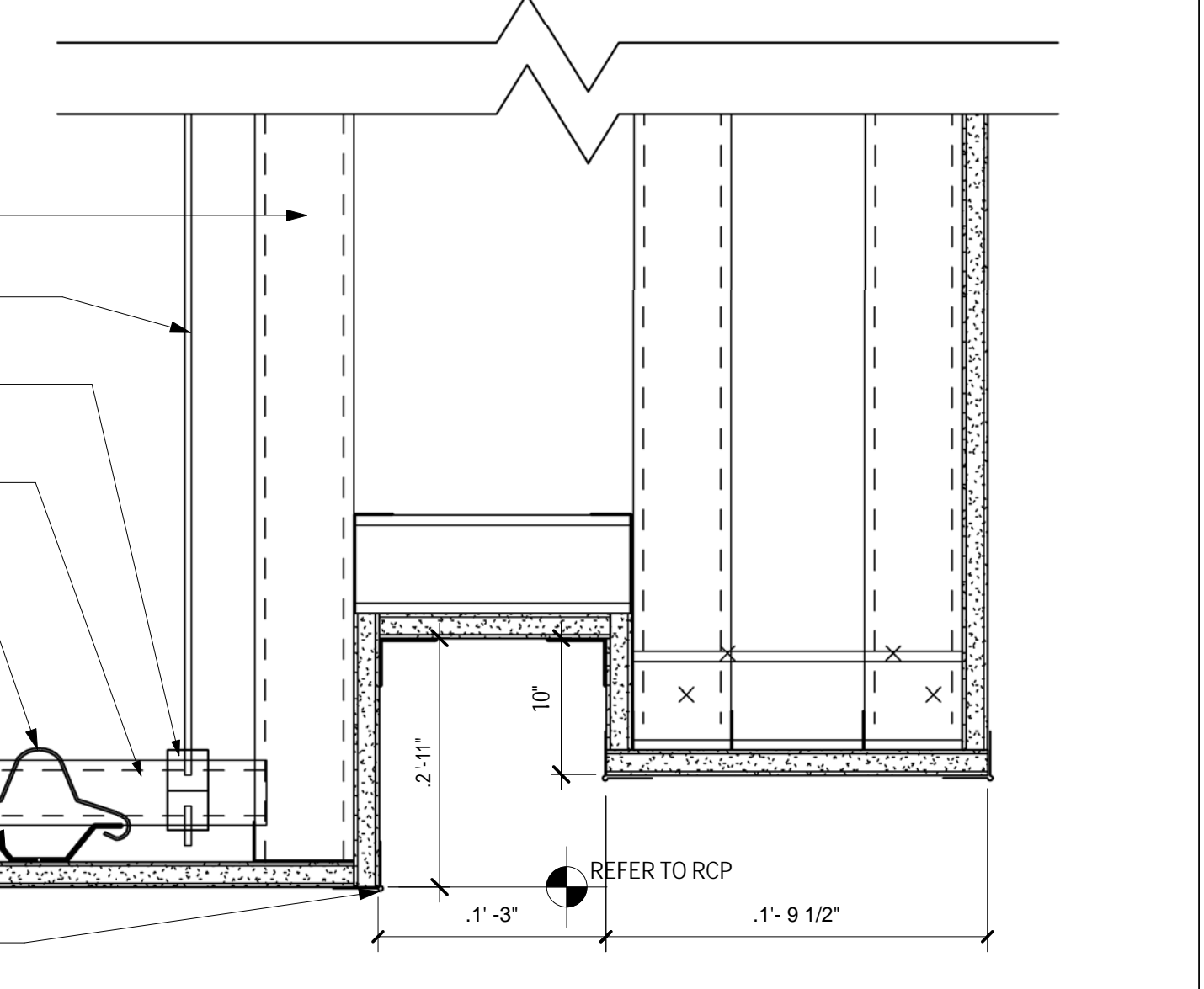
**GYP FASCIA TYPICAL**  
SCALE: 3" = 1'-0"  
A04.02.03 2



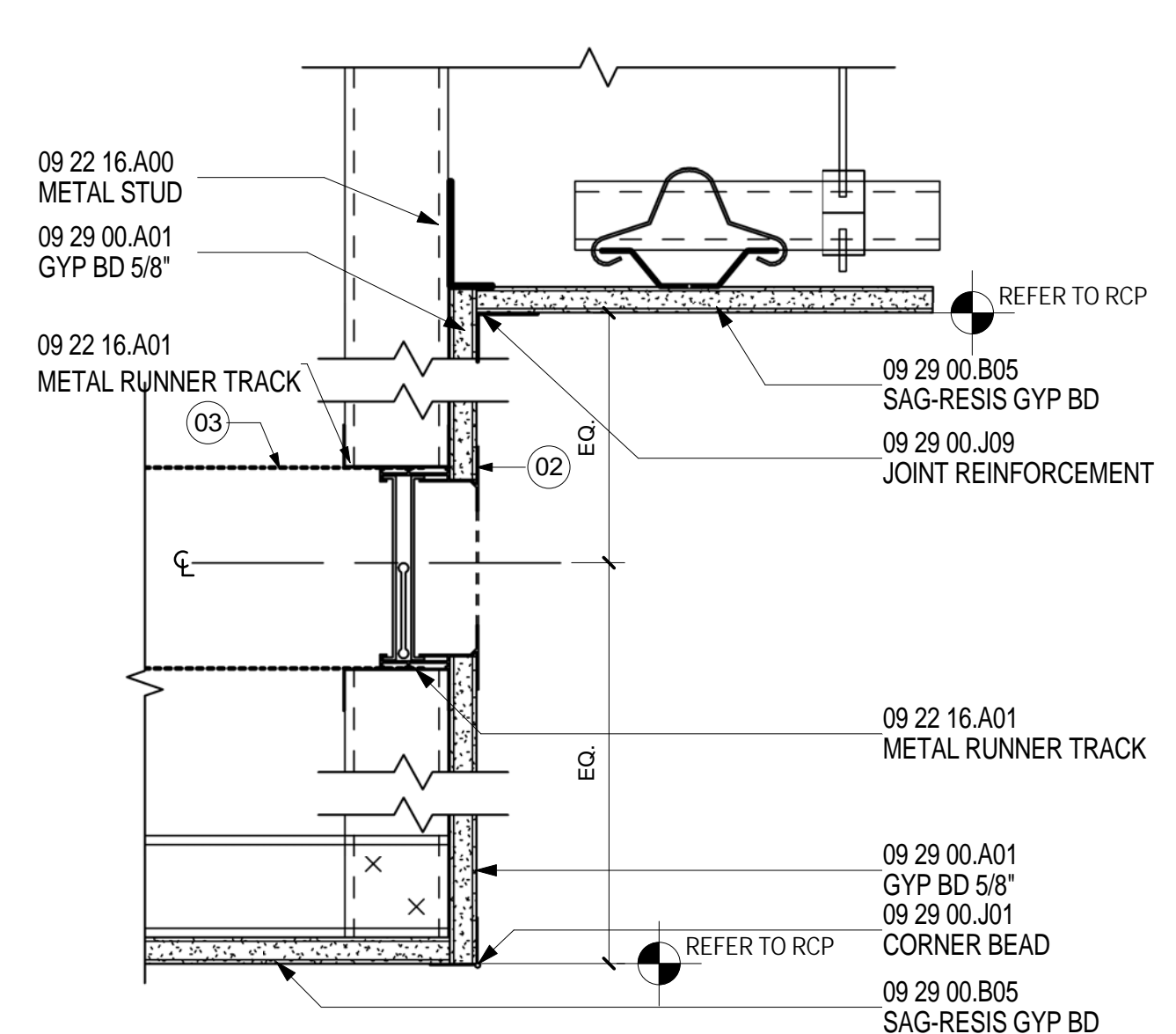
**GYP HEADER @ CONCESSION/HOLDROOM**  
SCALE: 3" = 1'-0"  
A04.03.02 20



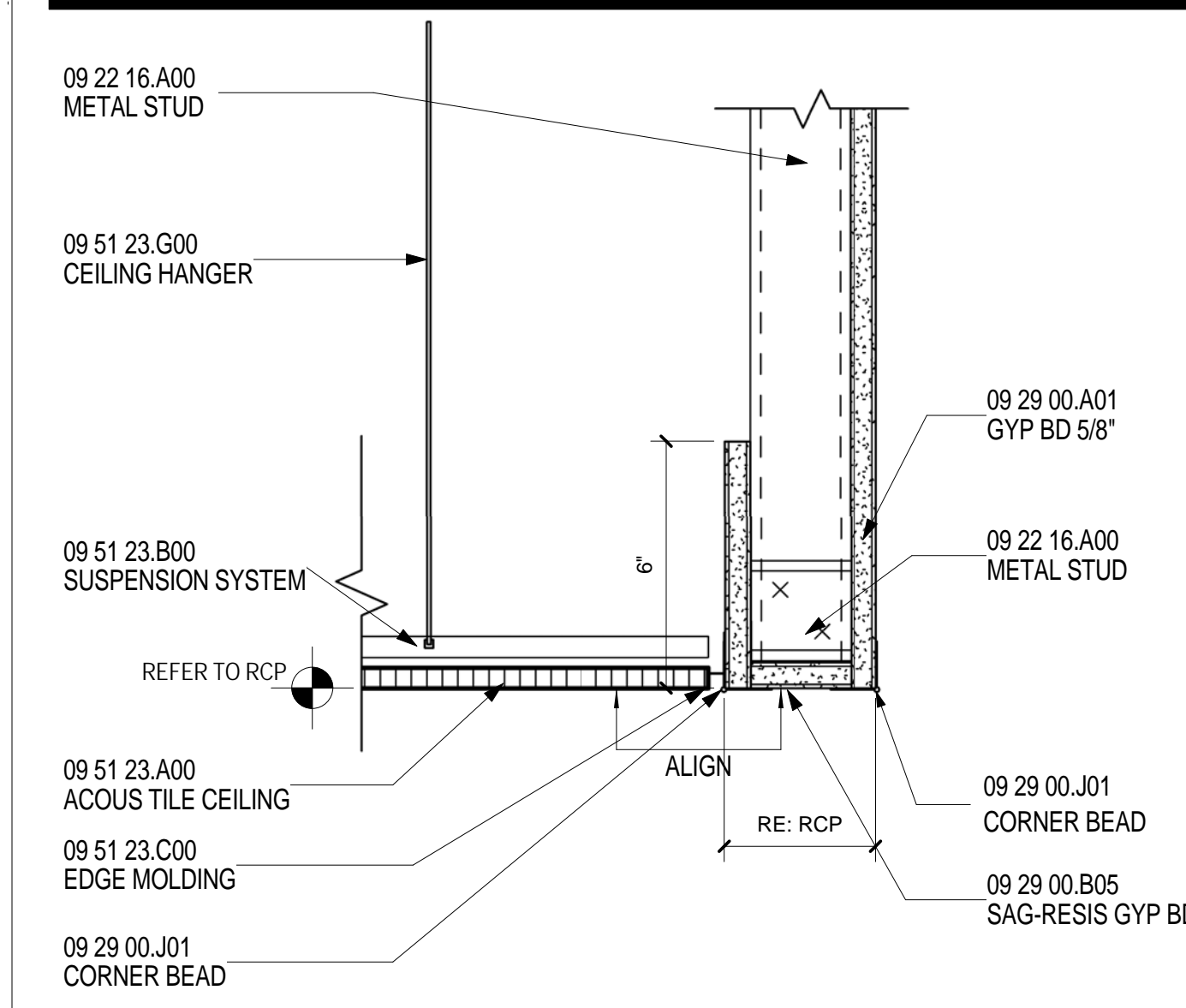
**GYP HEADER @ CONCOURSE**  
SCALE: 3" = 1'-0"  
A04.03.02 13



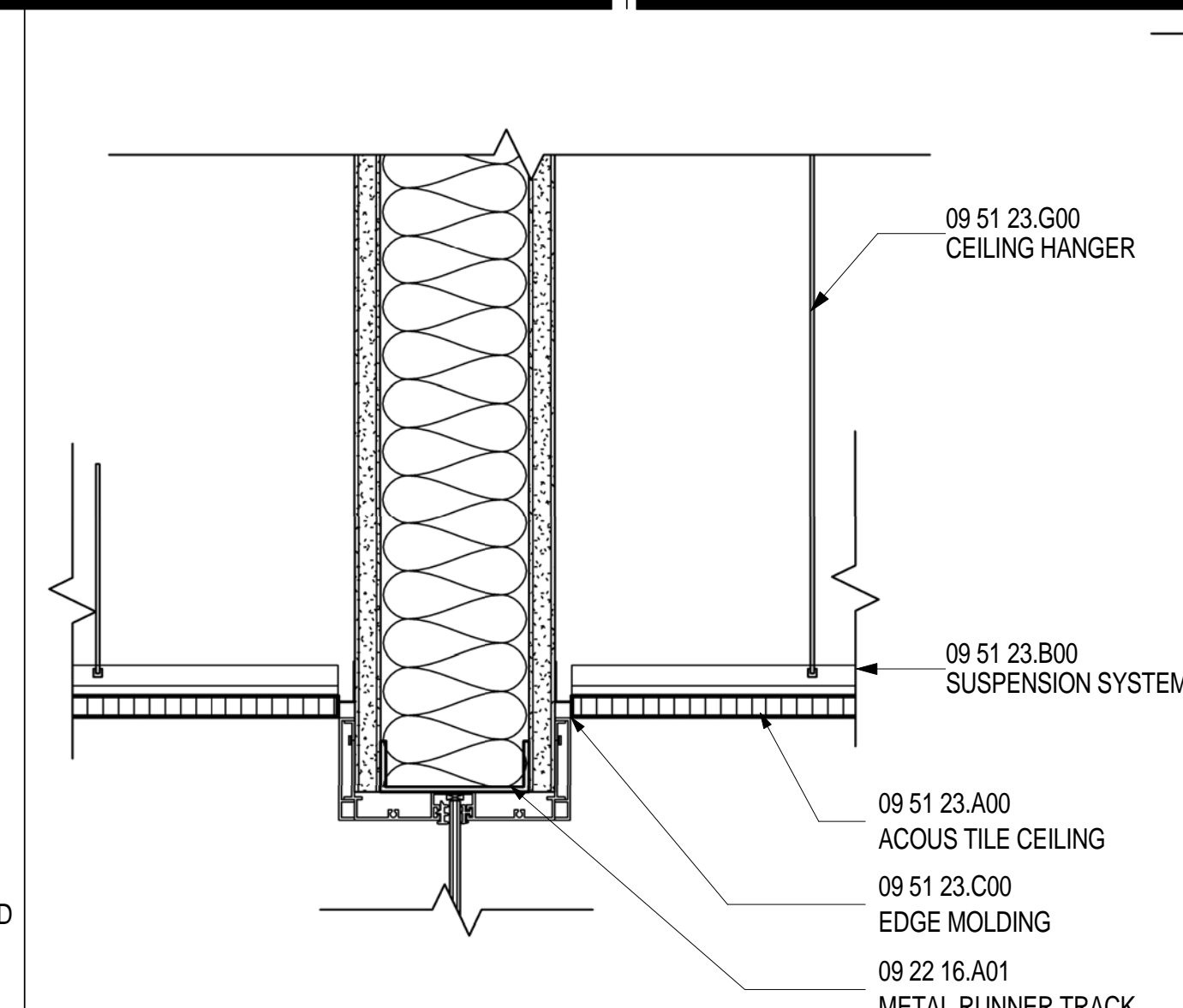
**GYP BD FASCIA @ HOLDROOM**  
SCALE: 3" = 1'-0"  
A04.03.02 8



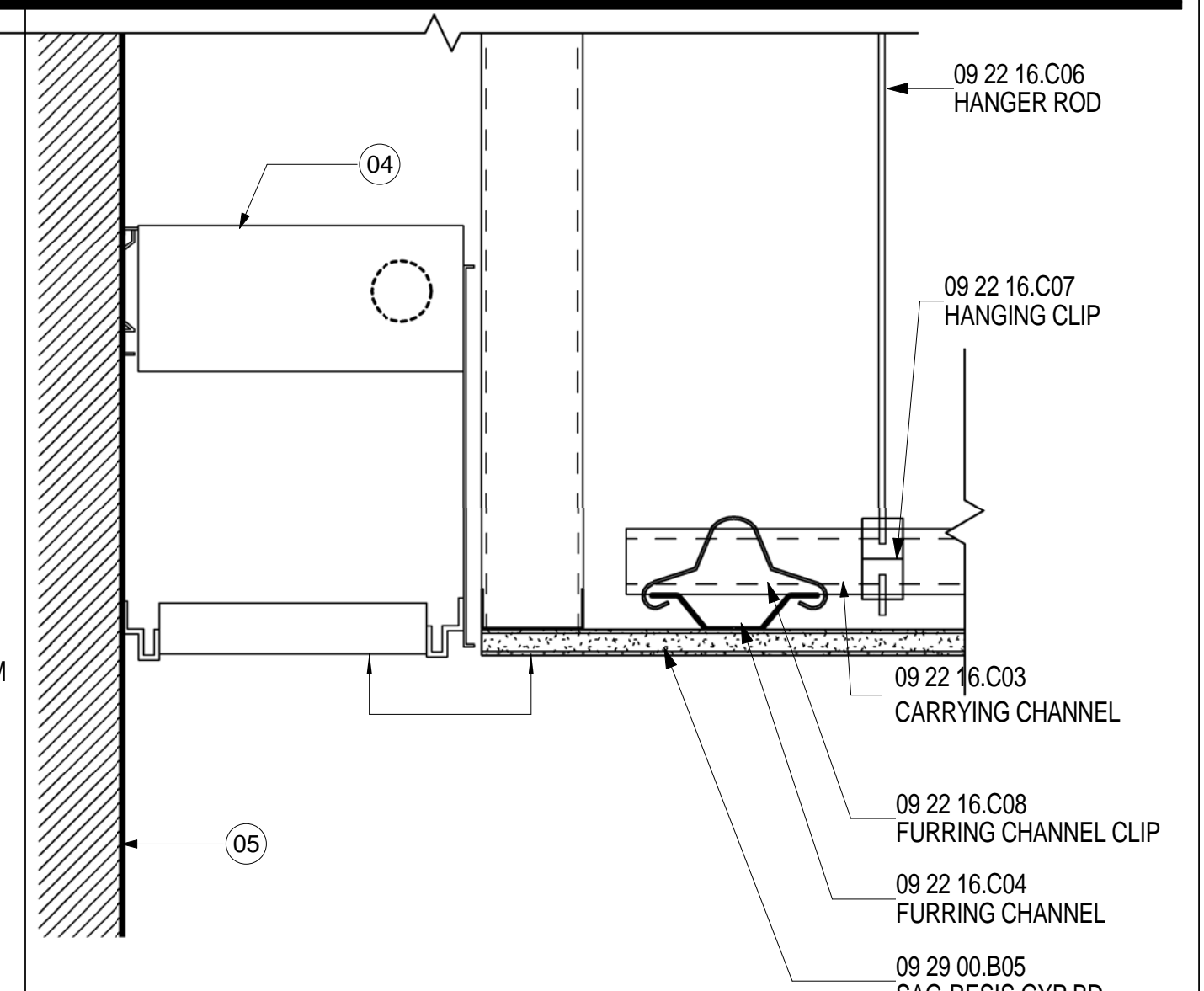
**LINEAR DIFFUSER @ GYP BD FASCIA**  
SCALE: 3" = 1'-0"  
A04.02.03 3



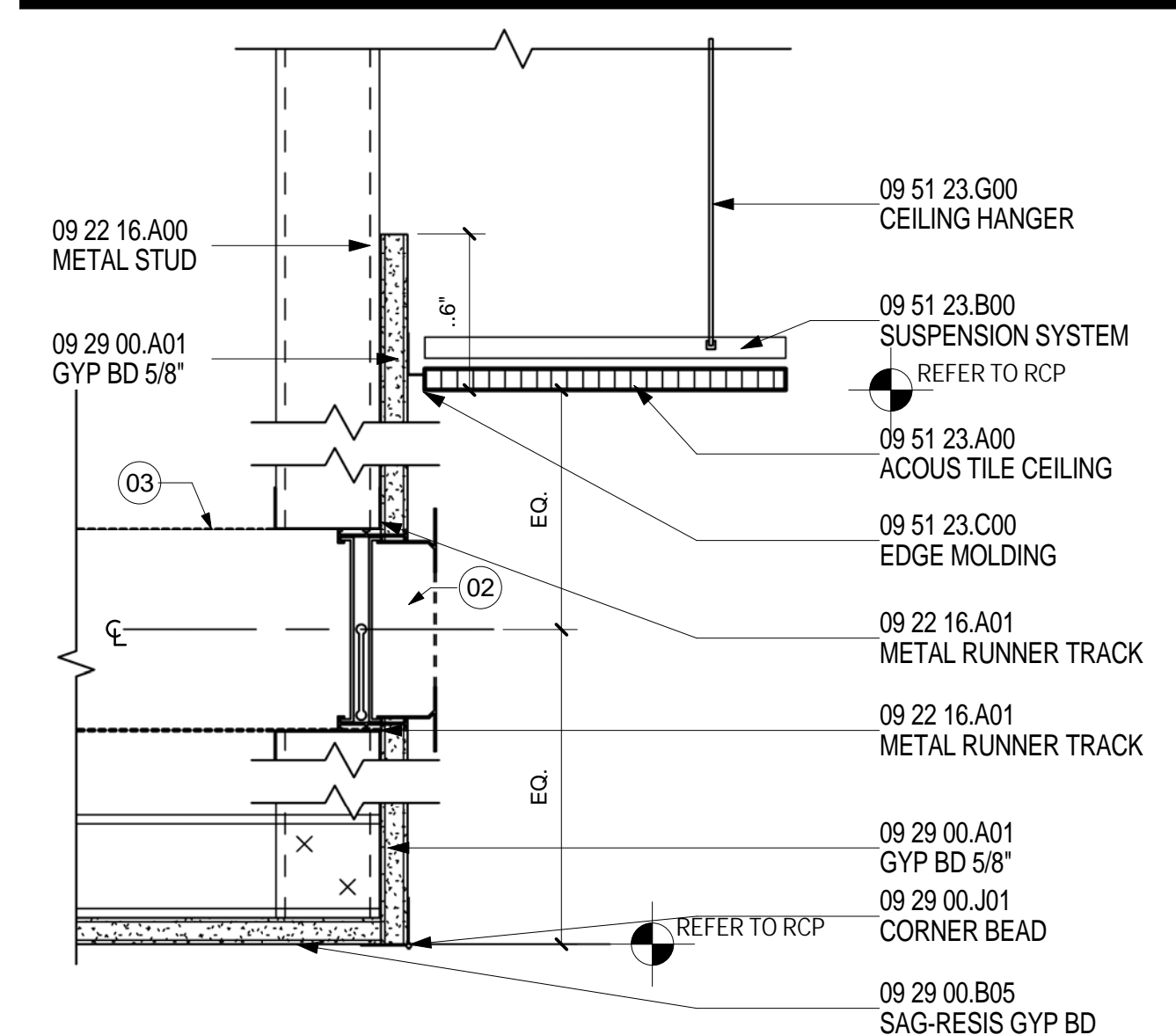
**ACT/GYP TRANSITION**  
SCALE: 3" = 1'-0"  
A04.02.03 21



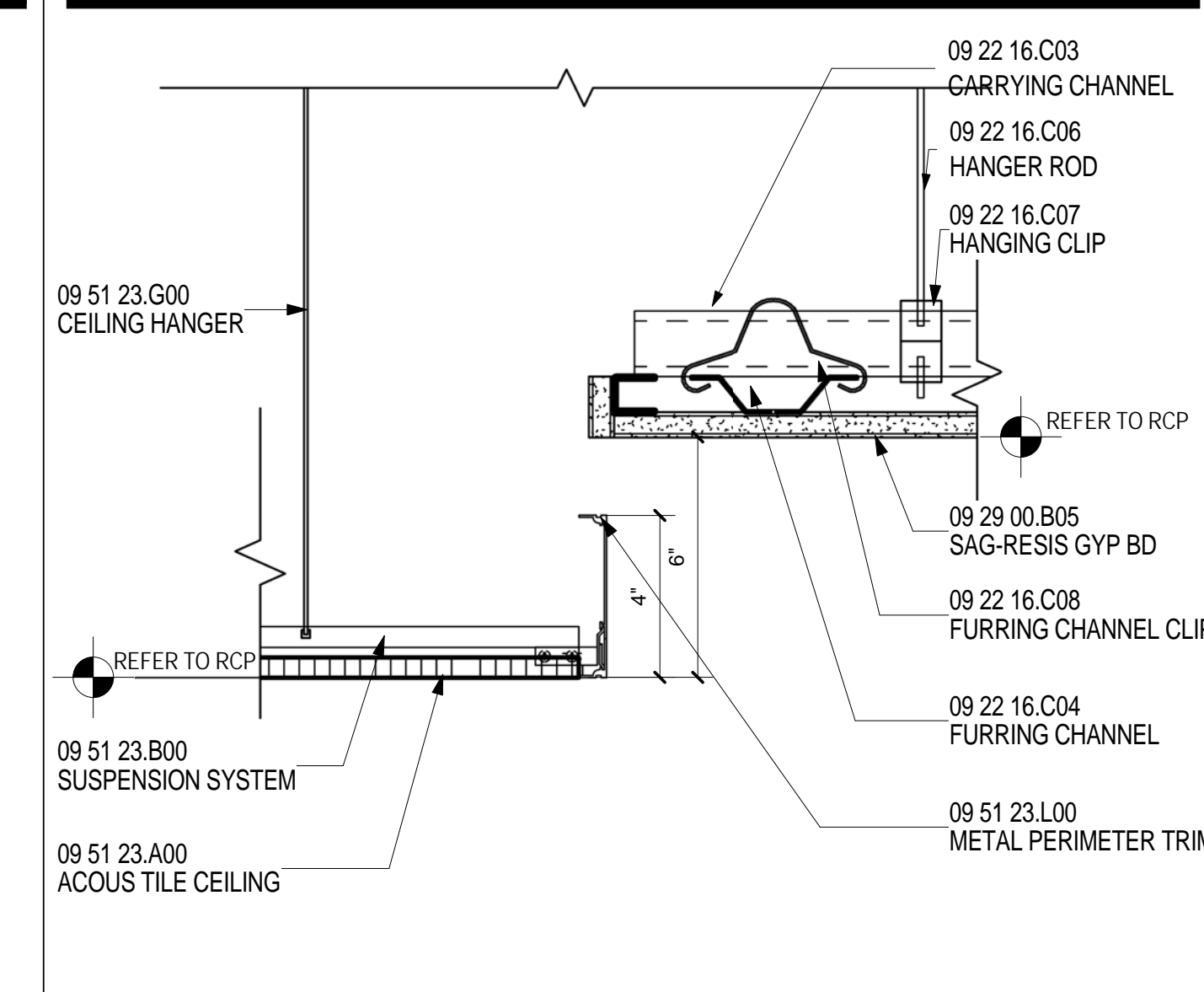
**ACT/CLNG @ FIXED LINK**  
SCALE: 3" = 1'-0"  
A04.02.03 18



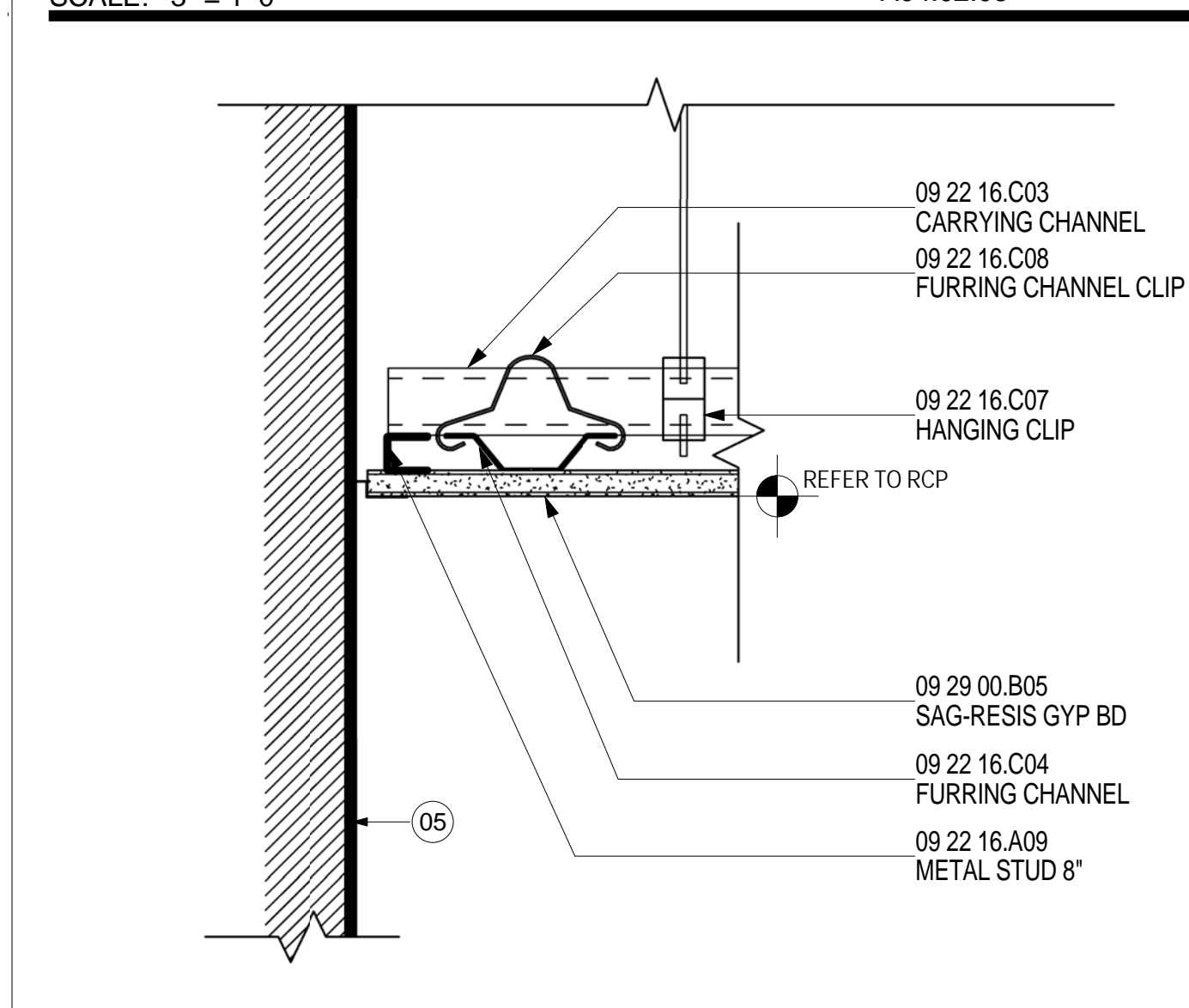
**LIGHT SLOT AT RESTROOM**  
SCALE: 3" = 1'-0"  
A08.00 14



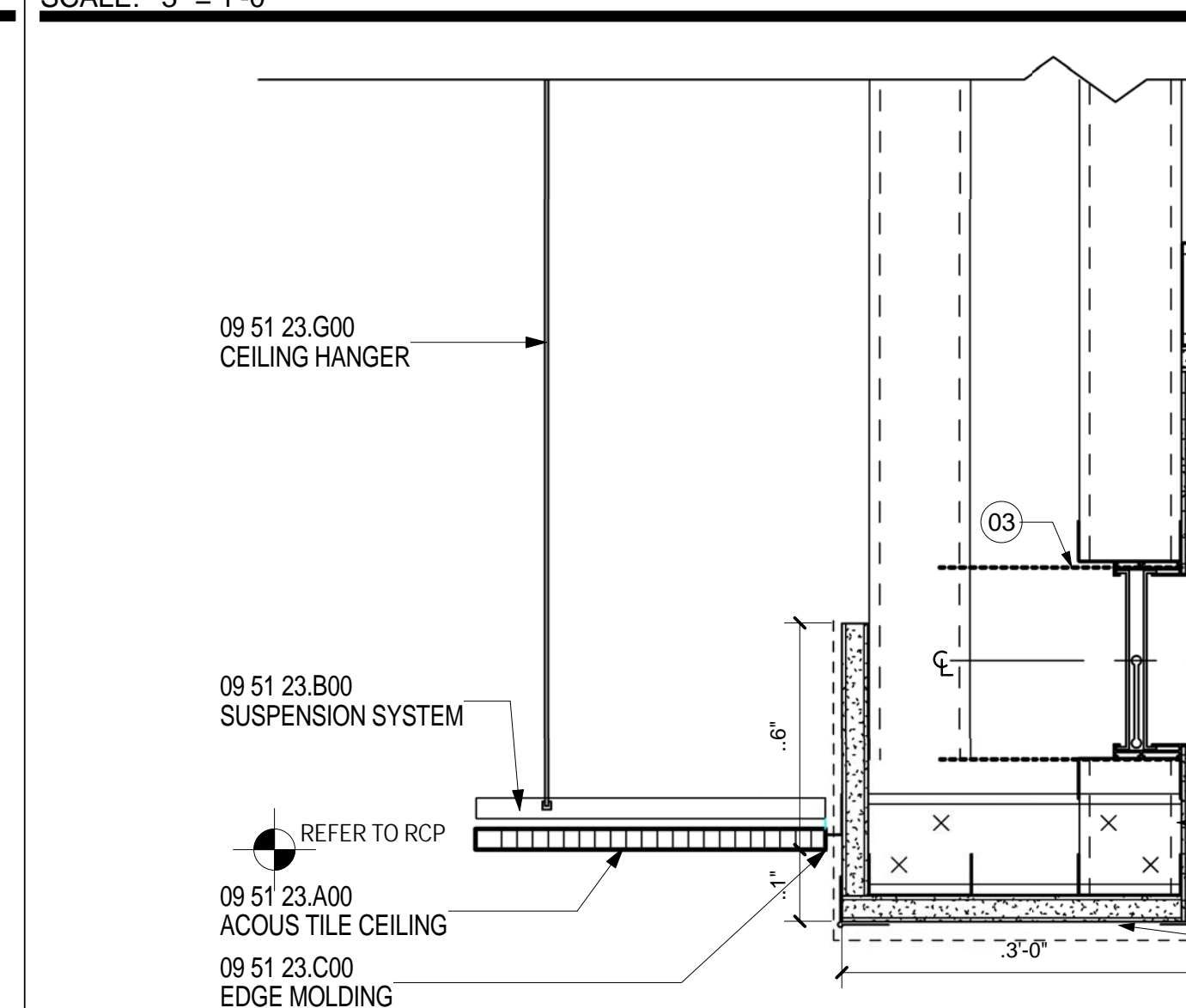
**LINEAR DIFFUSER @ HOLDROOM CLNG**  
SCALE: 3" = 1'-0"  
A04.03.02 9



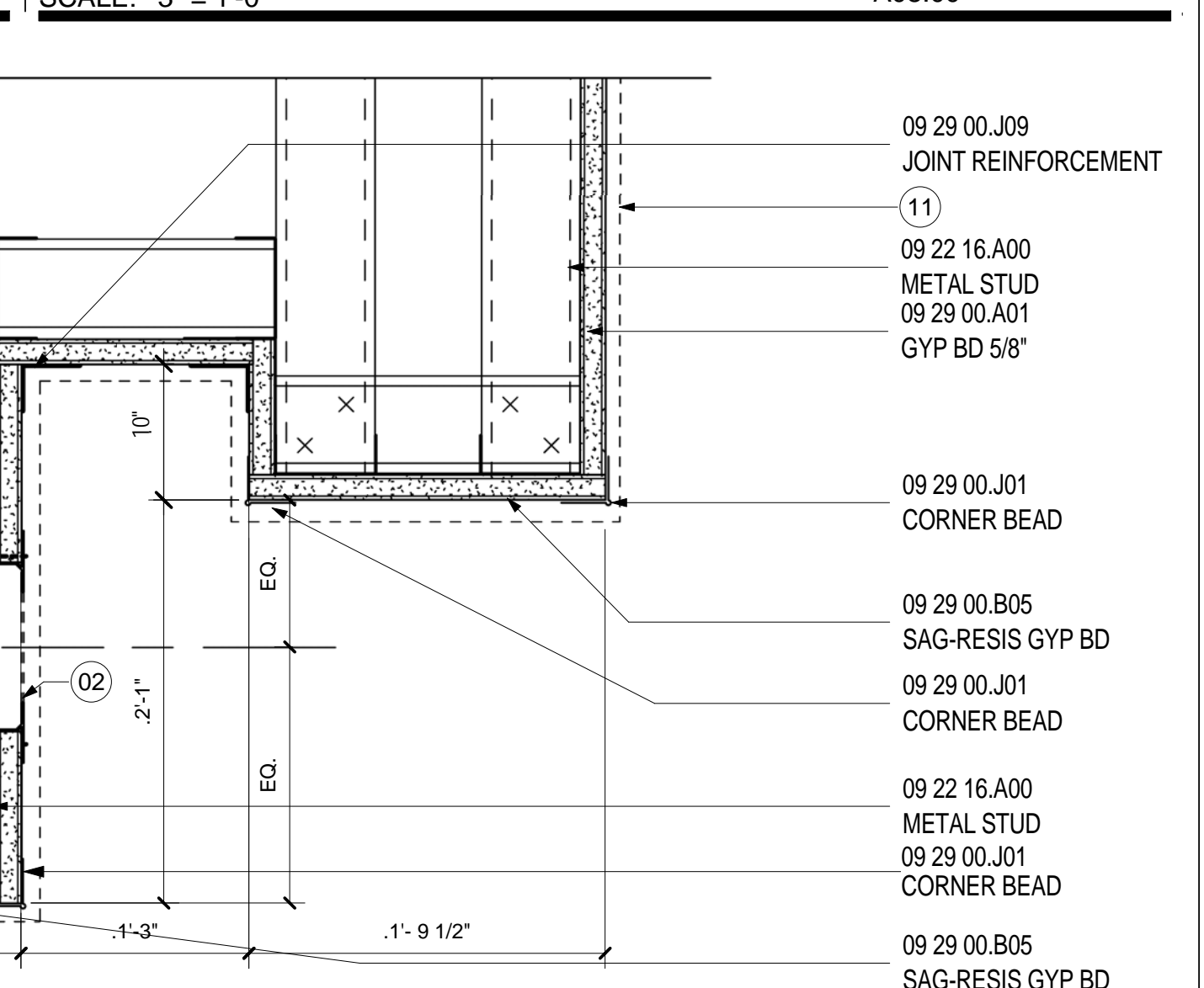
**ACT/GYP. CLNG TRANSITION @ TKTING**  
SCALE: 3" = 1'-0"  
A04.02.03 4



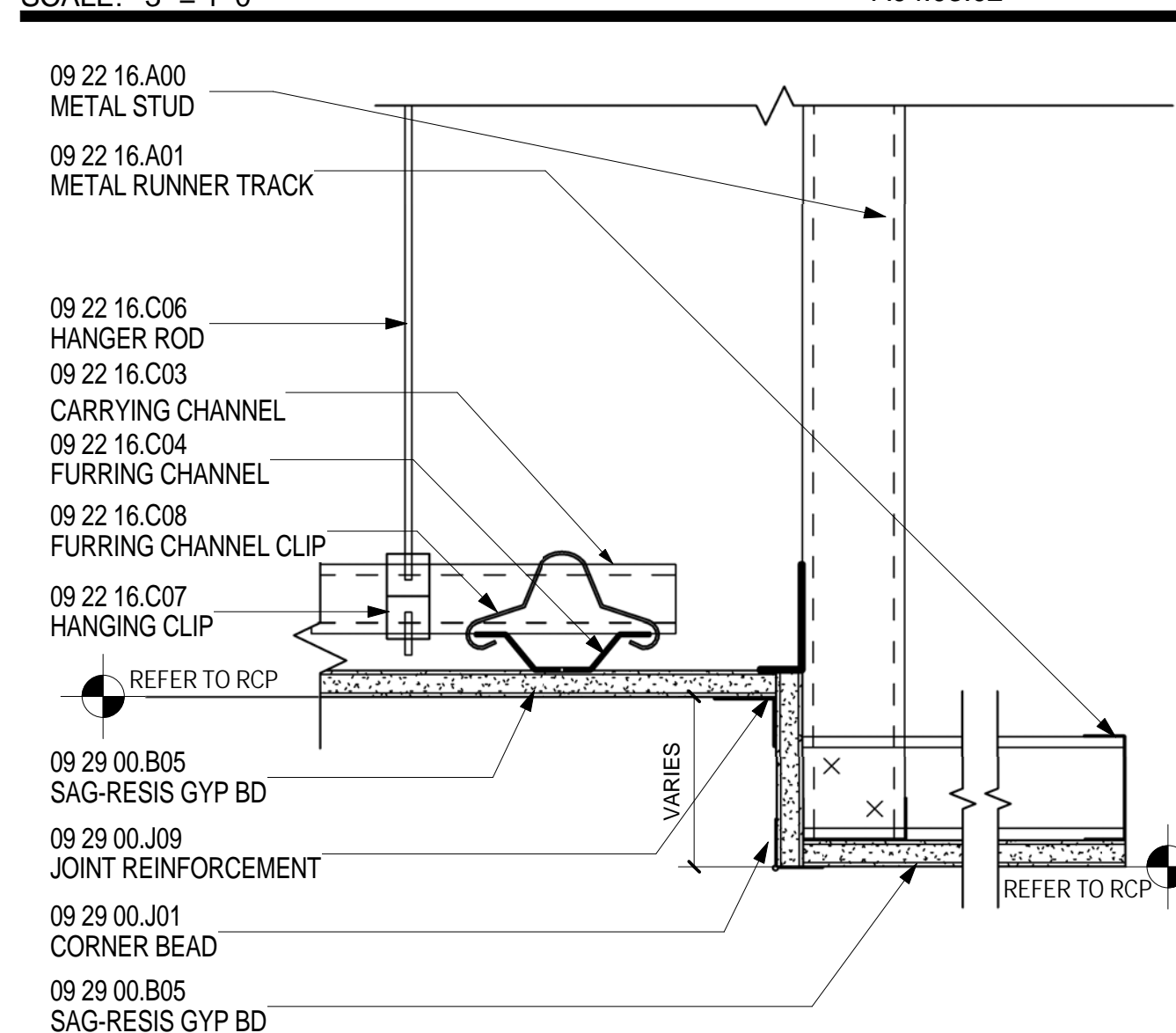
**GYP CEILING AT WALL**  
SCALE: 3" = 1'-0"  
A04.01.03 22



**GYP HEADER @ CONCOURSE/ CONCESSION**  
SCALE: 3" = 1'-0"  
A04.03.02 15



**GYP SOFFIT FASCIA**  
SCALE: 3" = 1'-0"  
A04.03.02 10



**LIGHT SLOT @ TKTING DETAIL**  
SCALE: 3" = 1'-0"  
A04.02.03 5

- SHEET NOTES**
- RE: REFLECTED CEILING PLANS FOR INCLINE ANGLE.
  - SCHEDULED LINEAR DIFFUSER. RE: MECHANICAL DRAWINGS FOR ADDITIONAL INFORMATION.
  - SCHEDULED DUCTWORK. RE: MECHANICAL DRAWINGS.
  - SCHEDULED LIGHT FIXTURE. RE: A04 SERIES FOR RCP AND PROJECT MANUAL FOR ADDITIONAL INFORMATION.
  - SCHEDULED PARTITION. RE: A02 SERIES FOR CONSTRUCTION PLAN AND PARTITION TYPES.
  - OVERLAP OF STAGGERED CARRYING CHANNELS.
  - METAL ANGLE TO BE PAINTED P-01.
  - GYP PAINTED P-01.
  - OPENING FOR RETURN AIR.
  - REFER TO DETAIL 17/A12.63 FOR TRANSITION TO PORTAL.
  - LINE INDICATES EXTENT OF CONTROL JOINT AS INDICATED IN THE RCP AND ELEVATION.
  - SCHEDULED DIFFUSER. RE: MECHANICAL DRAWINGS FOR ADDITIONAL INFORMATION.

**Portland International Jetport**  
1001 Westbrook Street  
Portland, Maine 04102

**Gensler**  
2020 K Street, Northwest  
Suite 200  
Washington DC 20006  
Telephone 202.721.5200  
Facsimile 202.872.8587

Date	Description
01/23/09	95% CONSTRUCTION DOCUMENTS
10/26/09	ISSUED FOR PERMIT
145 09/01/11	ISSUED FOR CONSTRUCTION

Seal/Signature

*(Signature)*

Project Name  
PJM Terminal Enhancement

Project Number  
09.6395.000

Description  
TYPICAL CEILING DETAILS

Scale  
3" = 1'-0"

**A12.80**

© 2009 Gensler