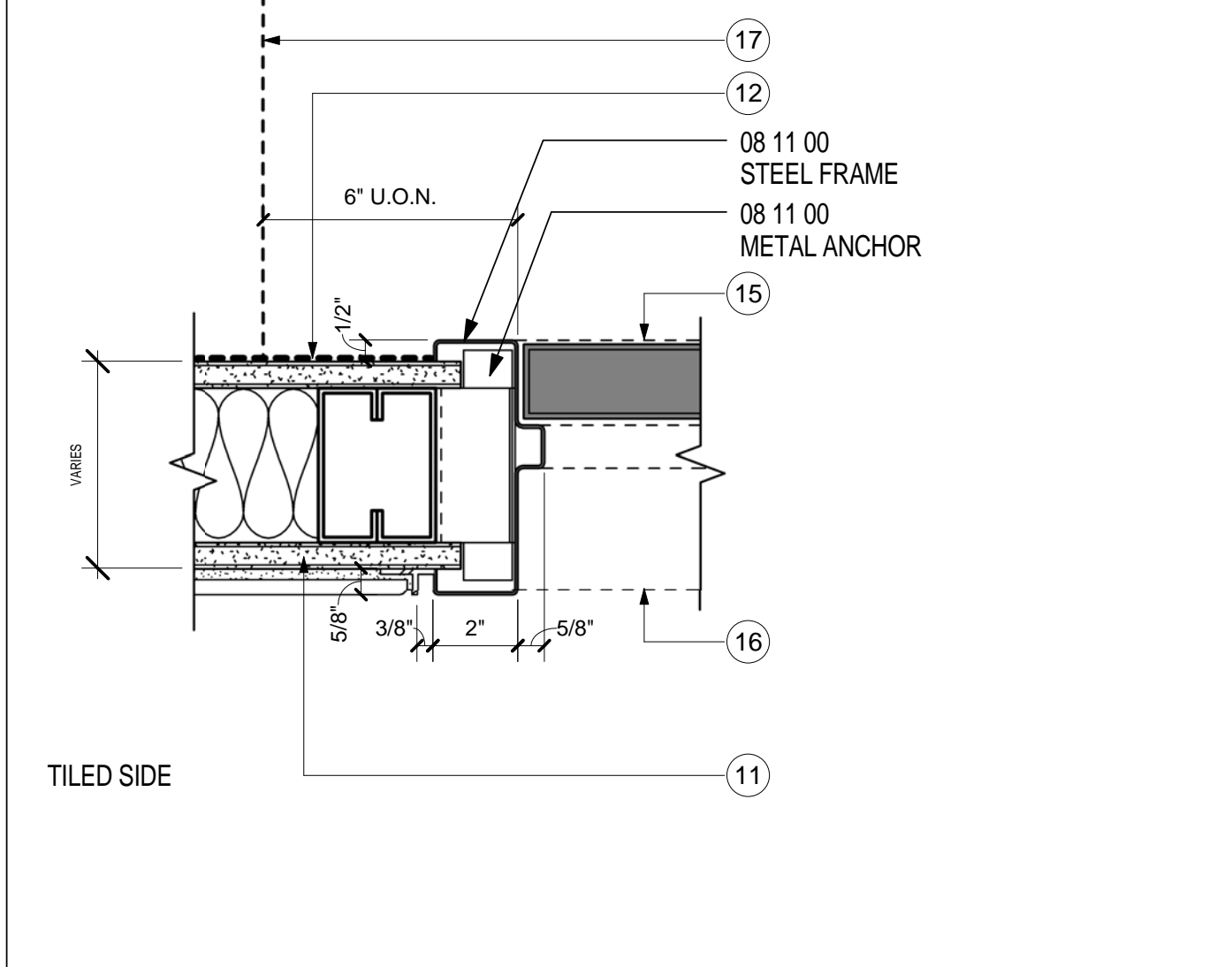
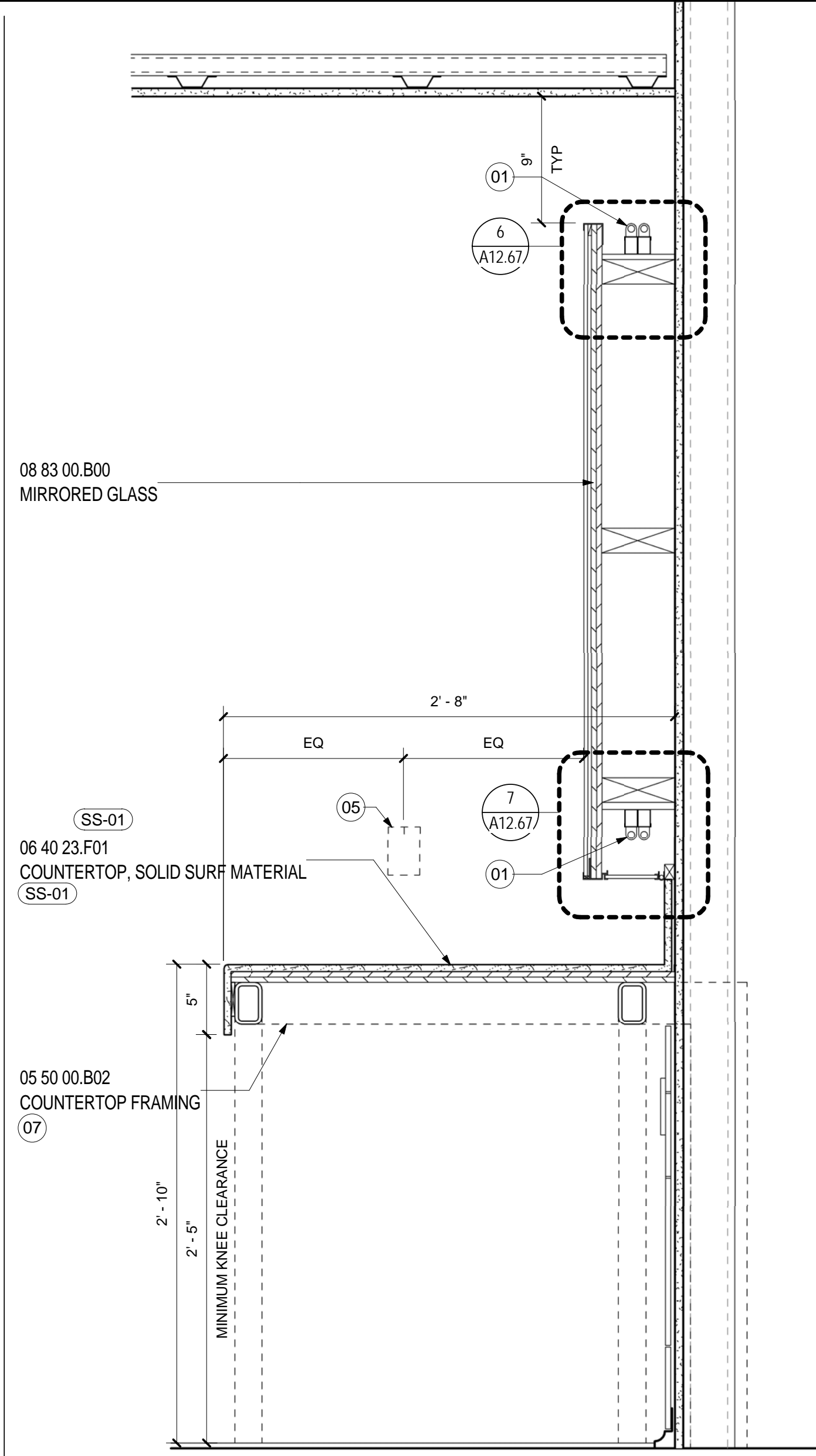


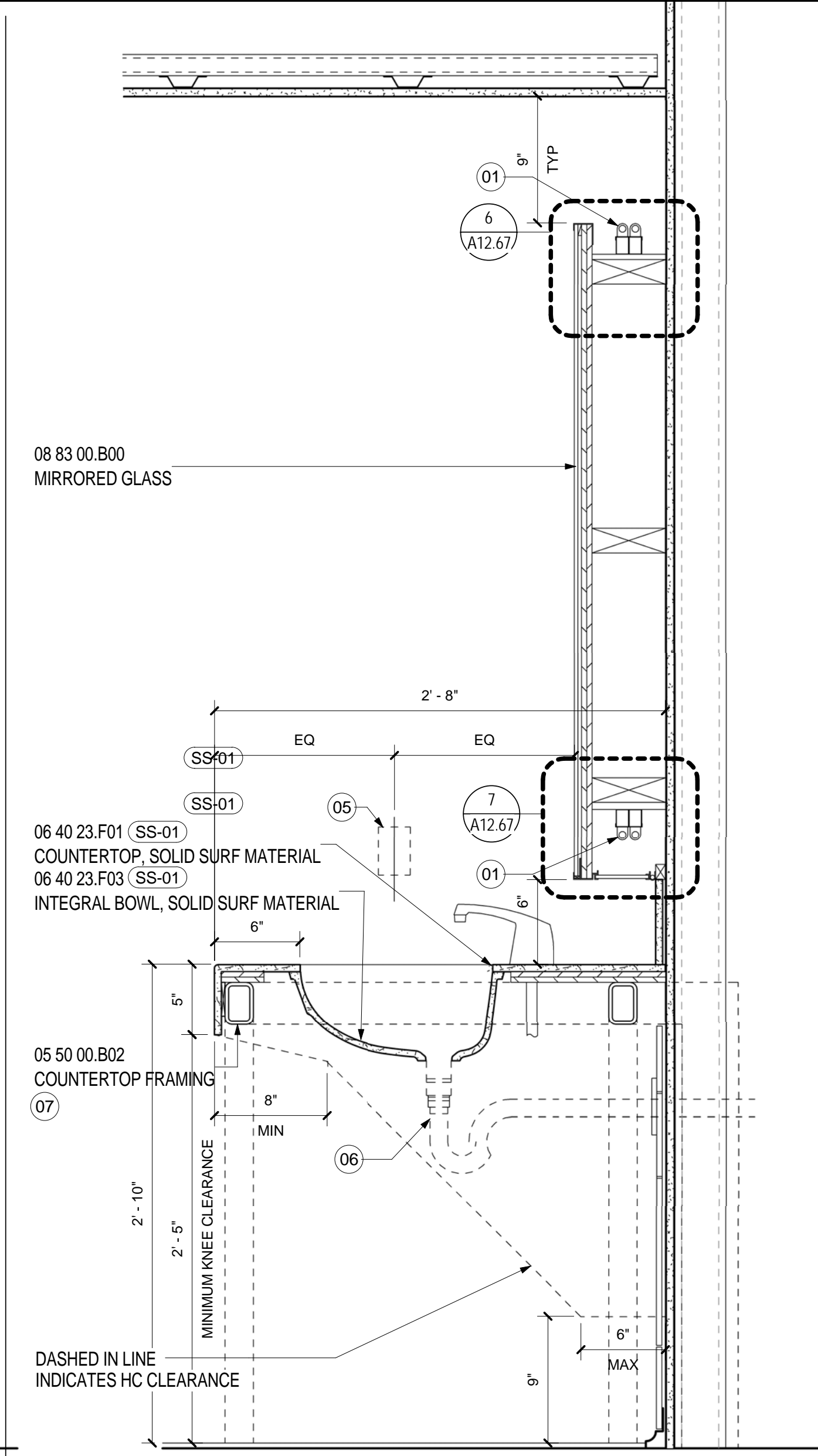
HEAD- DOOR TYPE A1- TILE 13
SCALE: 3" = 1'-0"



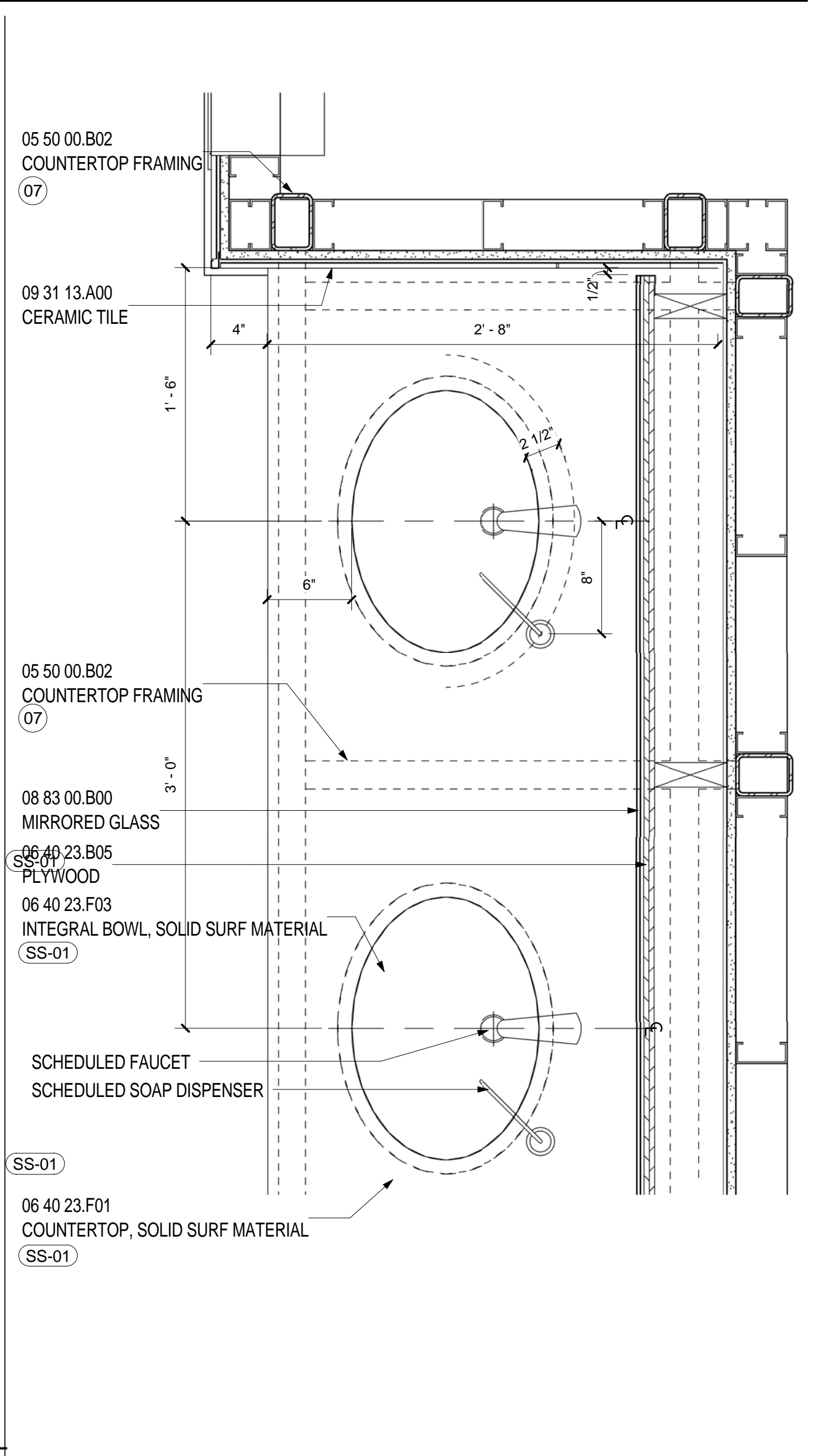
JAMB- DOOR TYPE A1- TILE 14
SCALE: 3" = 1'-0"



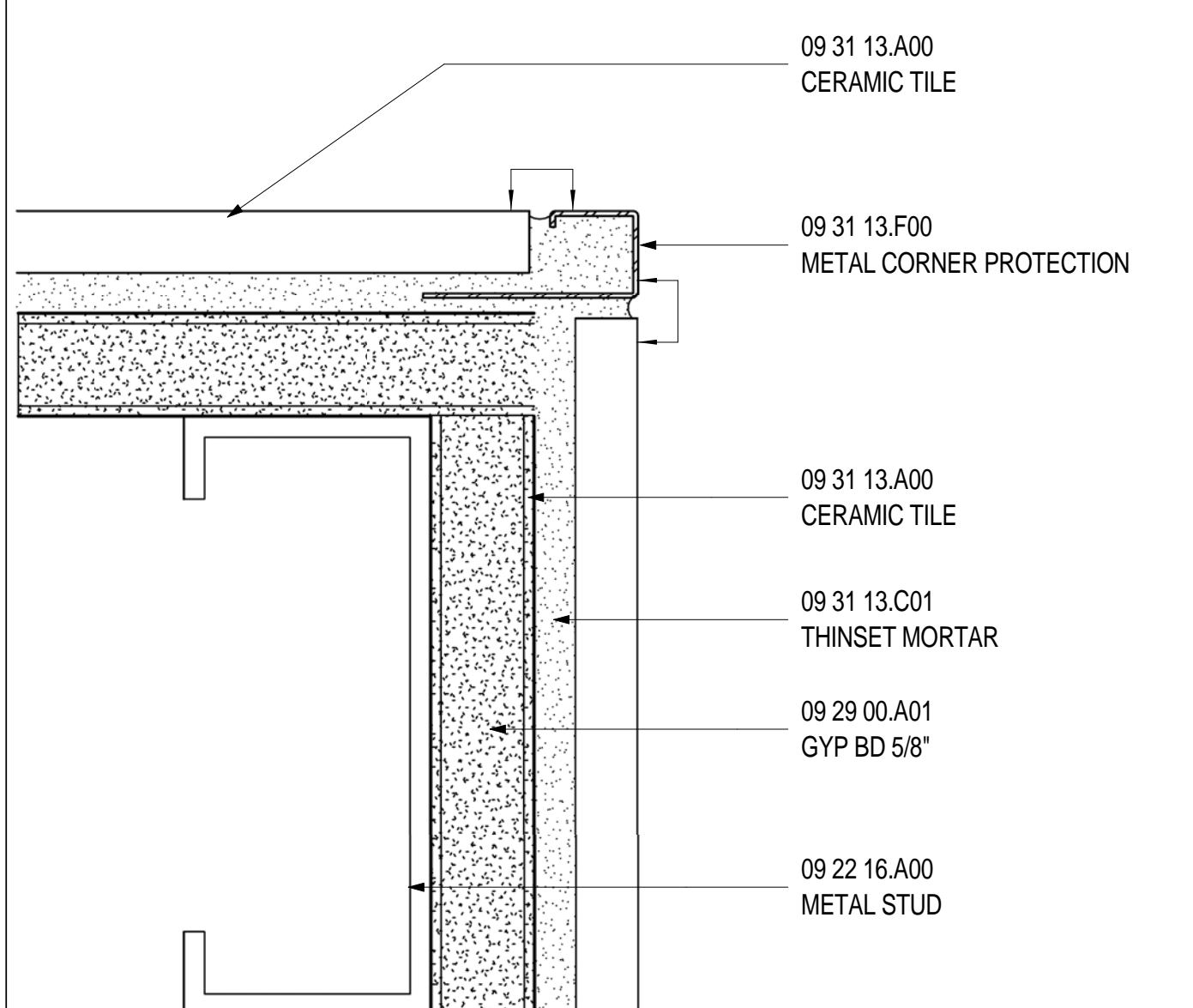
SECTION @ VANITY 9
SCALE: 1 1/2" = 1'-0"



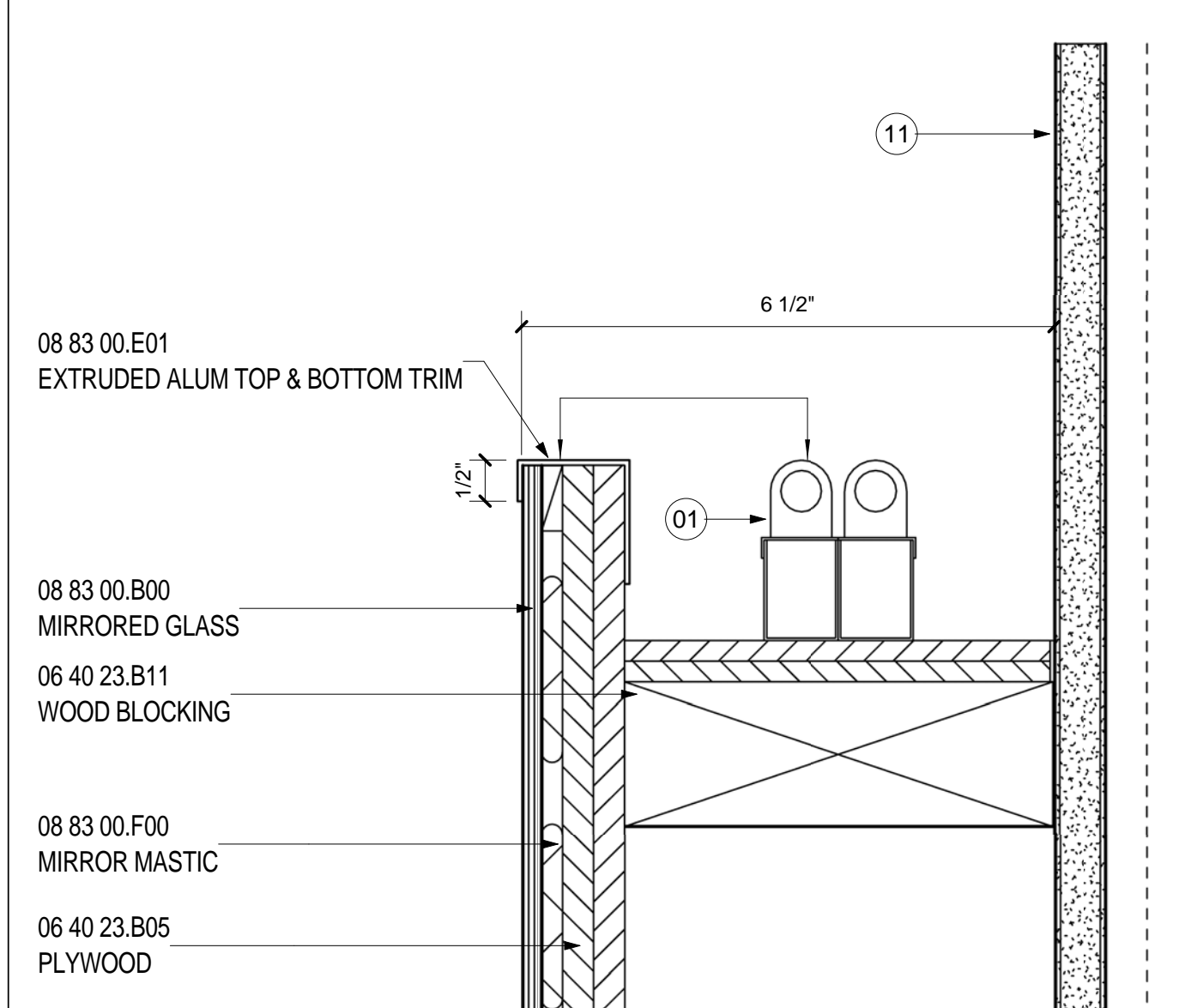
SECTION @ LAVATORY 5
SCALE: 1 1/2" = 1'-0"



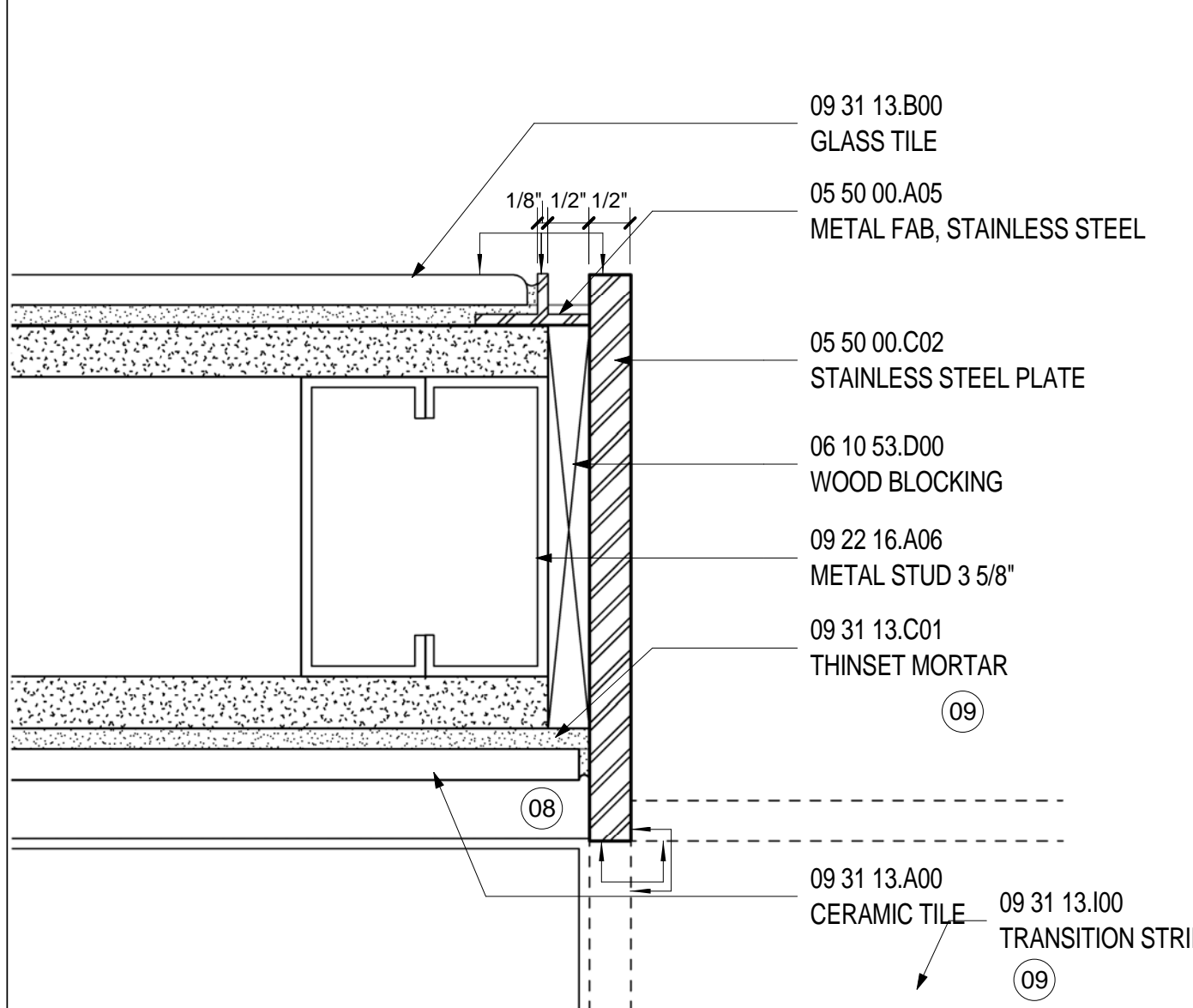
PLAN DETAIL @ LAVATORY 1
SCALE: 1 1/2" = 1'-0"



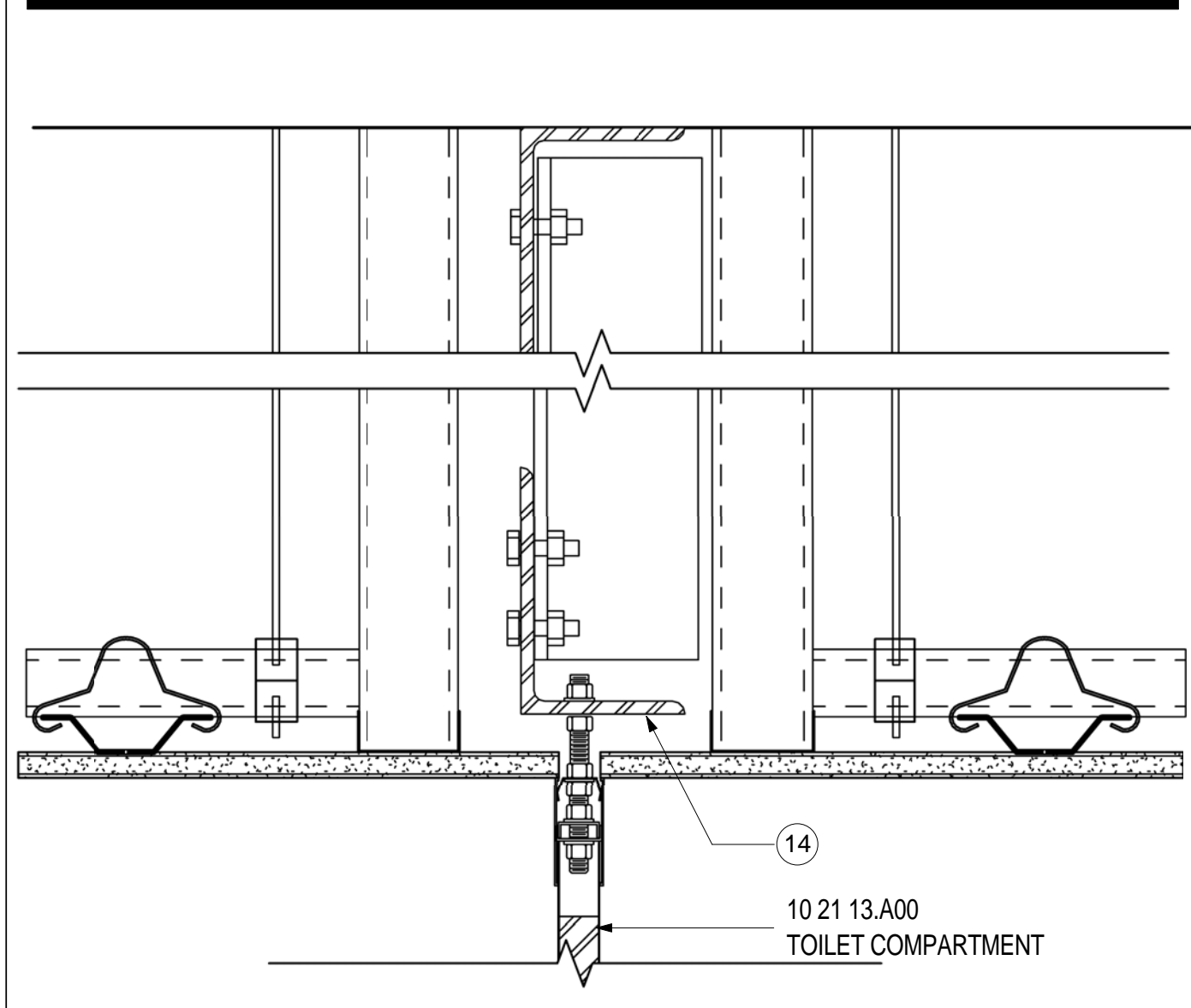
PLAN @ CT-02 OUTSIDE CORNER 10
SCALE: 12" = 1'-0"



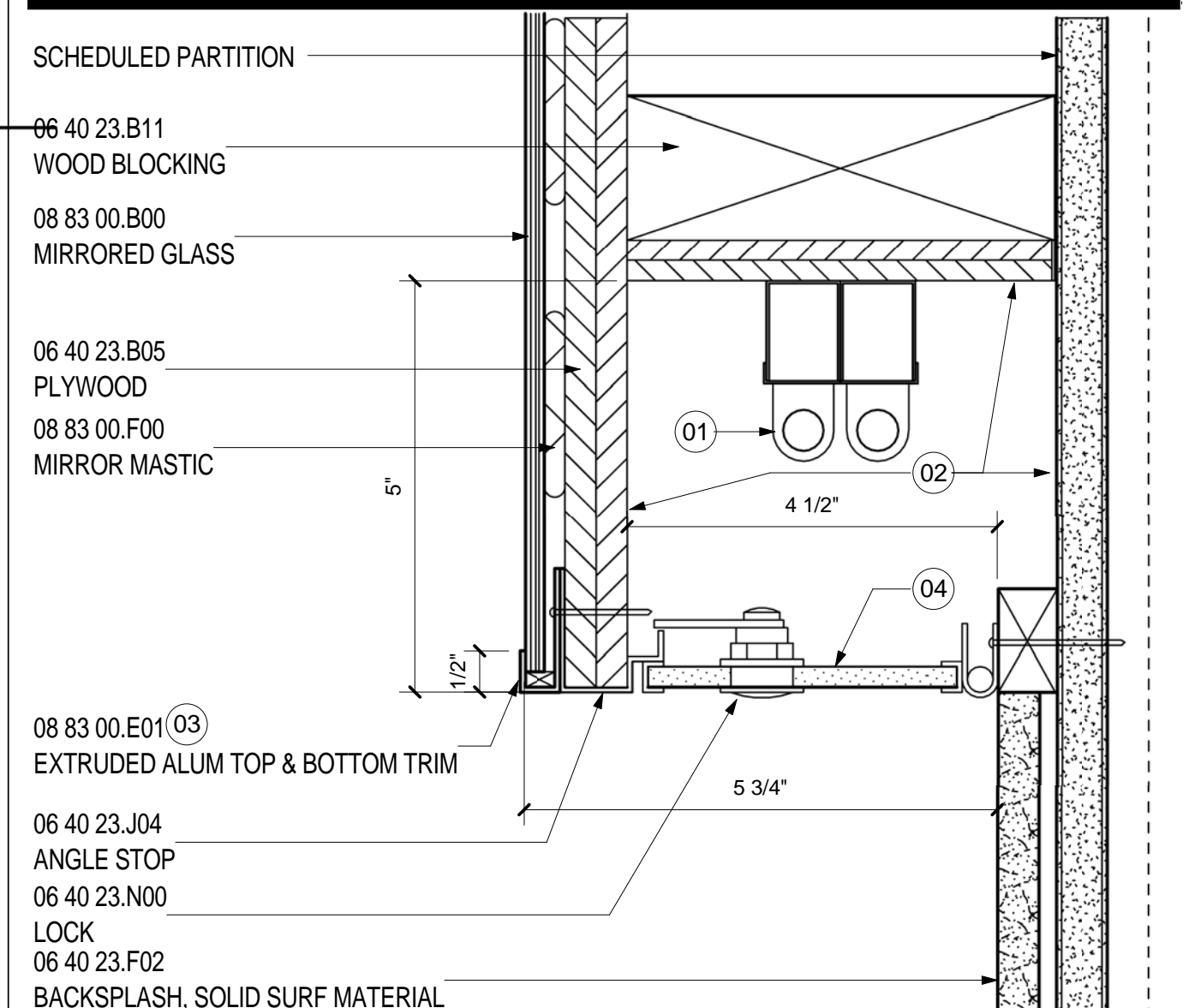
DETAIL @ MIRROR HEAD 6
SCALE: 6" = 1'-0"



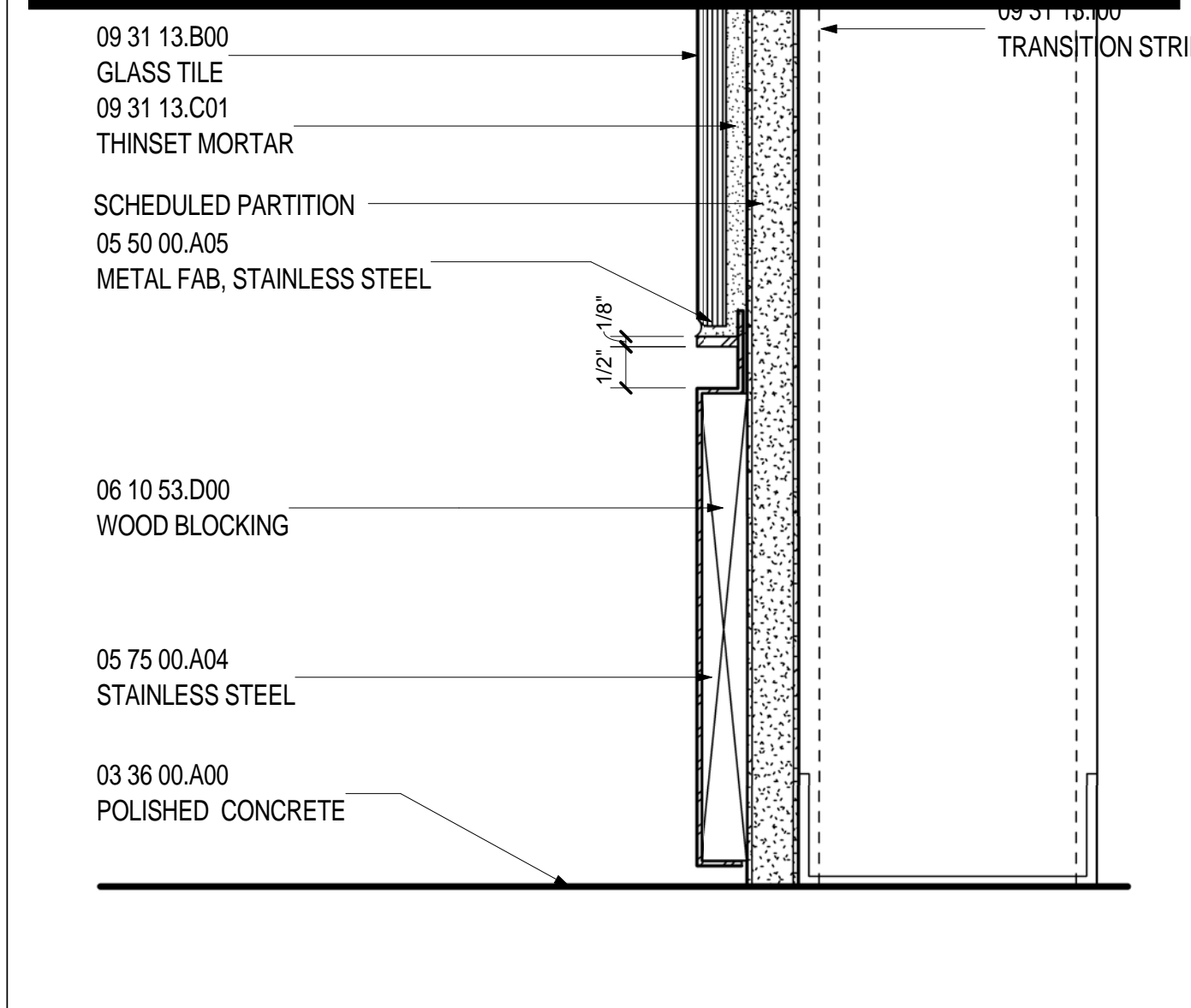
PLAN @ GLASS TILE/CERAMIC TILE 2
SCALE: 6" = 1'-0"



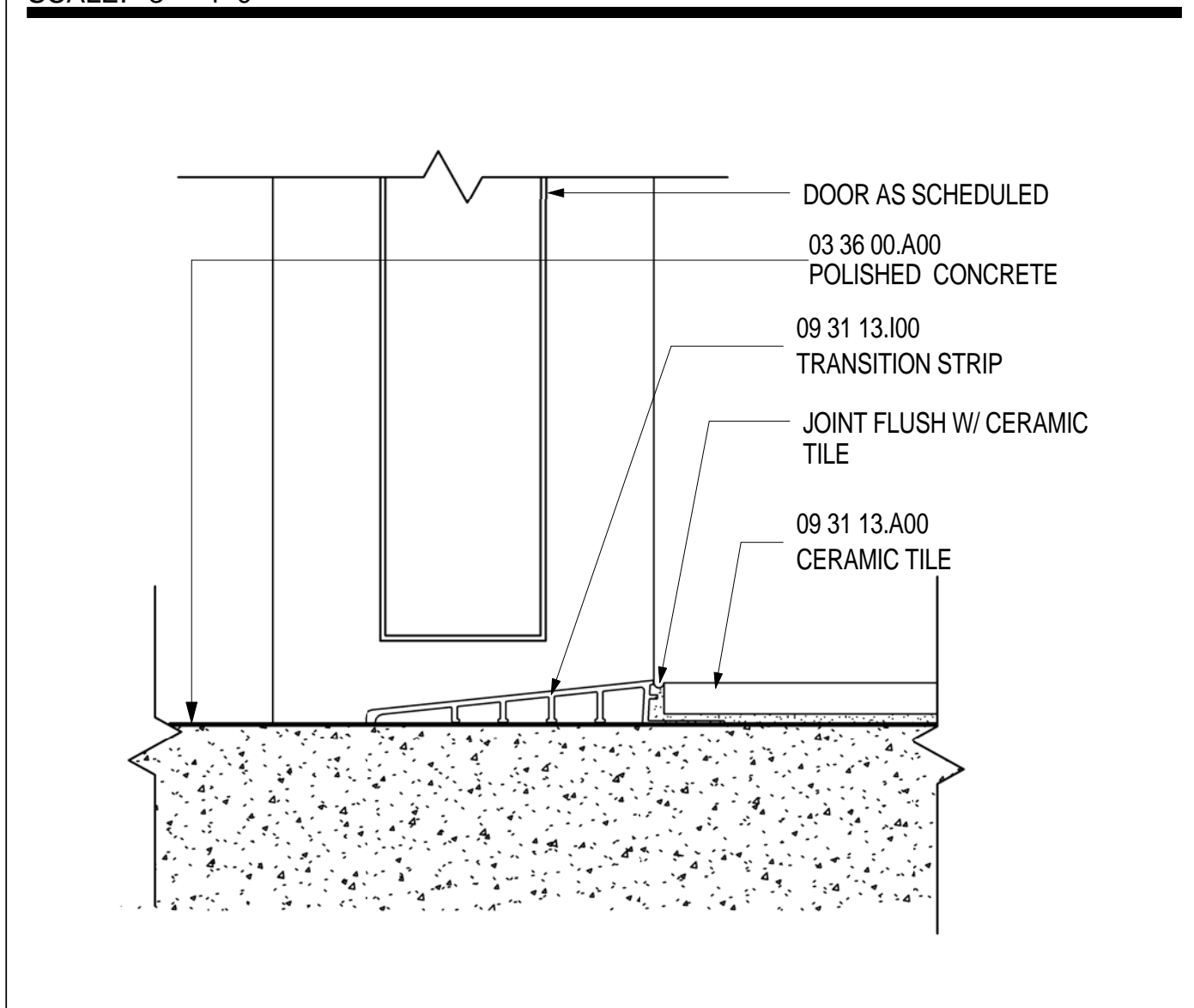
TOILET PARTITION SUPPORT 11
SCALE: 3" = 1'-0"



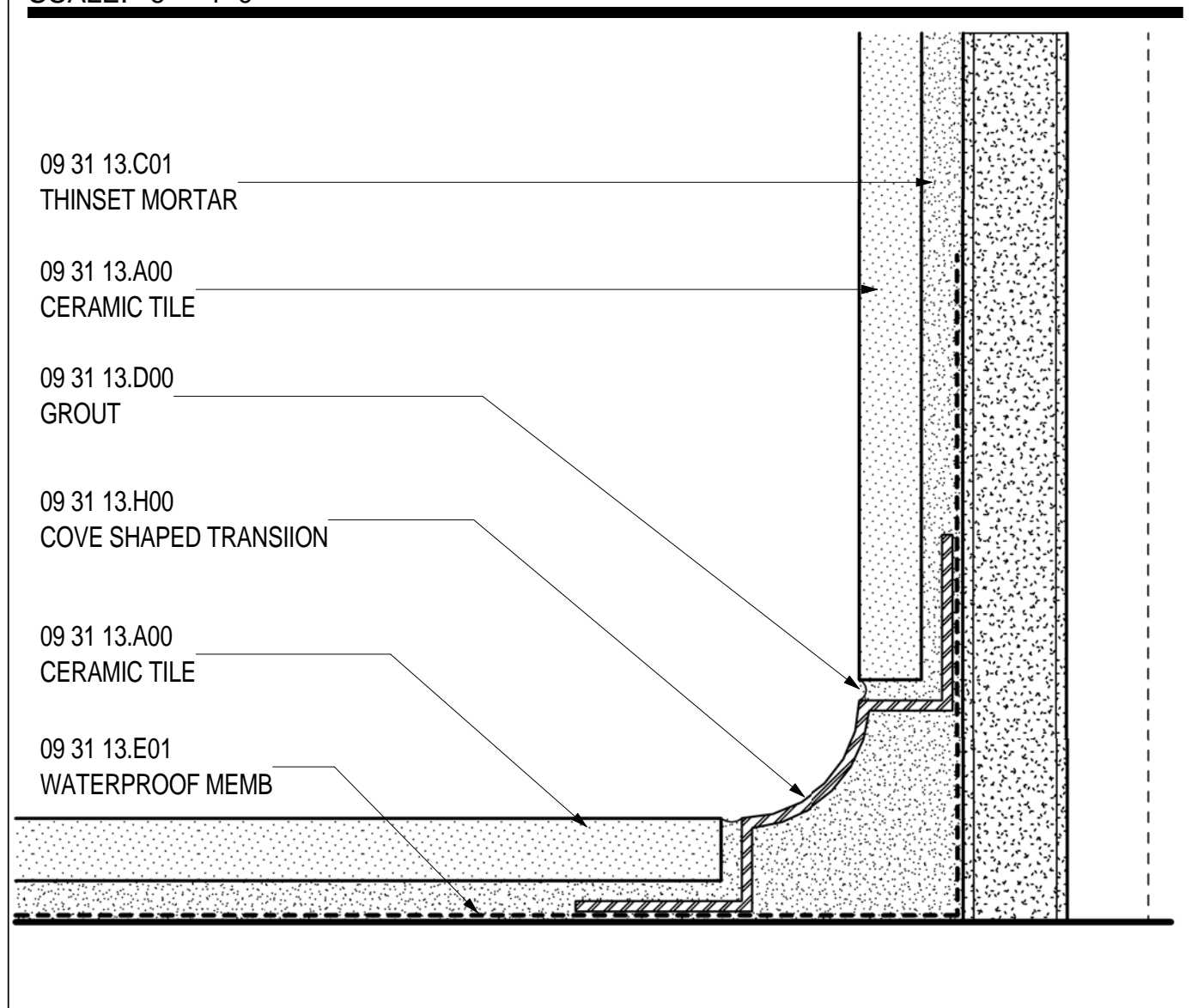
DETAIL @ MIRROR BASE 7
SCALE: 6" = 1'-0"



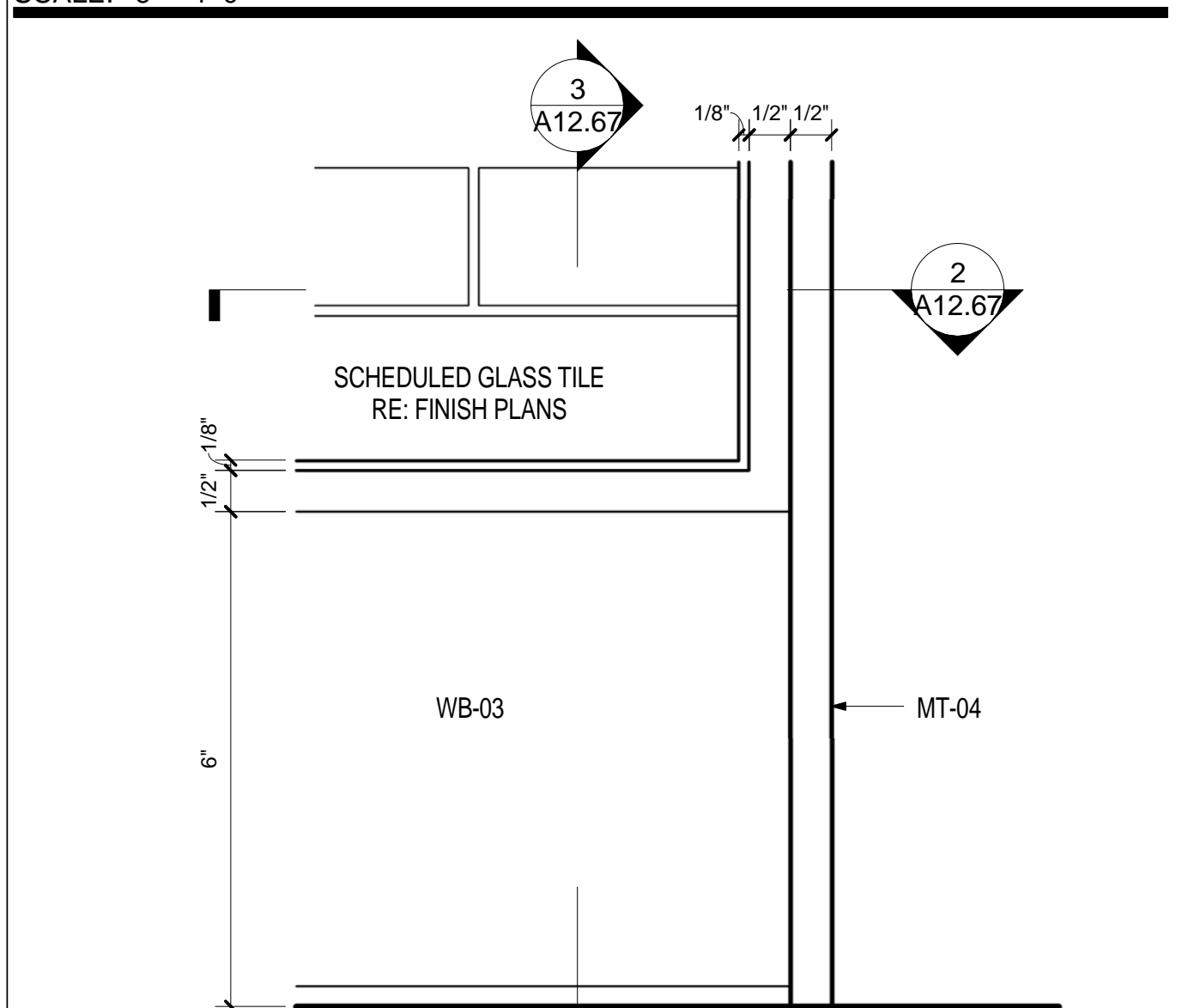
DETAIL @ METAL BASE/GLASS TILE 3
SCALE: 6" = 1'-0"



THRESHOLD - CERAMIC / CONCRETE 12
SCALE: 6" = 1'-0"



DETAIL @ TILE COVE 8
SCALE: 12" = 1'-0"



ELEV @ METAL BASE @ GLASS TILE 4
SCALE: 6" = 1'-0"

SHEET NOTES

- 01 SCHEDULED LIGHT FIXTURE, RE: A04 SERIES FOR RCP AND PROJECT MANUAL FOR ADDITIONAL INFORMATION
- 02 PAINT INTERIOR SURFACES P-1
- 03 ALIGN MIRROR CLIP JOINTS WITH MIRROR JOINTS.
- 04 CONTINUOUS HINGED 1/4" THICK WHITE ACRYLIC LENS WITH LOCK.
- 05 GF1 RECEPTACLE MOUNTED VERTICALLY AT 42" AFF.
- 06 PIPES TO BE WRAPPED AND INSULATED. RE: PLUMBING DRAWINGS FOR MORE INFORMATION.
- 07 STEEL SUPPORTS AS REQUIRED. RE: PROJECT MANUAL FOR ENGINEERING REQUIREMENTS.
- 08 STAINLESS STEEL PLATE TO EXTEND THE WIDTH OF COVE TRANSITION STRIP AT FLOOR TO FULLY COVER END OF STRIP.
- 09 REDUCED SCHLUTER STRIP AT POLISHED CONCRETE/CERAMIC TILE TRANSITION WHERE OCCURS. RE: FINISH PLANS FOR LOCATION IN TOILET ROOMS. REDUCED SCHLUTER STRIP TO ALIGN WITH FACE OF STAINLESS STEEL PLATE.
- 10 METAL STUD BRACING TO UNDERSIDE OF SLAB ABOVE AT DOOR OPENING
- 11 SCHEDULED PARTITION. RE: A02 SERIES FOR CONSTRUCTION PLAN AND PARTITION TYPES.
- 12 RE: FINISH PLAN AND ADDITIONAL DOOR DETAILS FOR FINISHES AND DOOR ALIGNMENT ON THIS SIDE.
- 13 SCHEDULED CEILING. RE: A04 SERIES FOR REFLECTED CEILING PLANS
- 14 PROVIDE STEEL AS REQUIRED FOR TOILET PARTITION SUPPORTS
- 15 SCHEDULED DOOR. RE: A00.30 FOR DOOR SCHEDULE
- 16 LINE OF FRAME HEADER ABOVE
- 17 SCHEDULED ADJACENT PARTITION WHERE OCCURS. RE: CONSTRUCTION PLAN

GENERAL NOTES

Portland International
Jetport
1001 Westbrook Street
Portland, Maine 04102

Gensler
2020 K Street, Northwest
Suite 200
Washington DC 20006
Telephone 202.721.5200
Facsimile 202.872.8587

Date	Description
01/23/09	95% CONSTRUCTION DOCUMENTS
10/26/09	ISSUED FOR PERMIT
145 09/01/11	ISSUED FOR CONSTRUCTION

Seal/Signature

Project Name
PJM Terminal Enhancement

Project Number
09-6395-000

Description
INTERIOR DETAILS

Scale
As indicated

A12.67

© 2009 Gensler