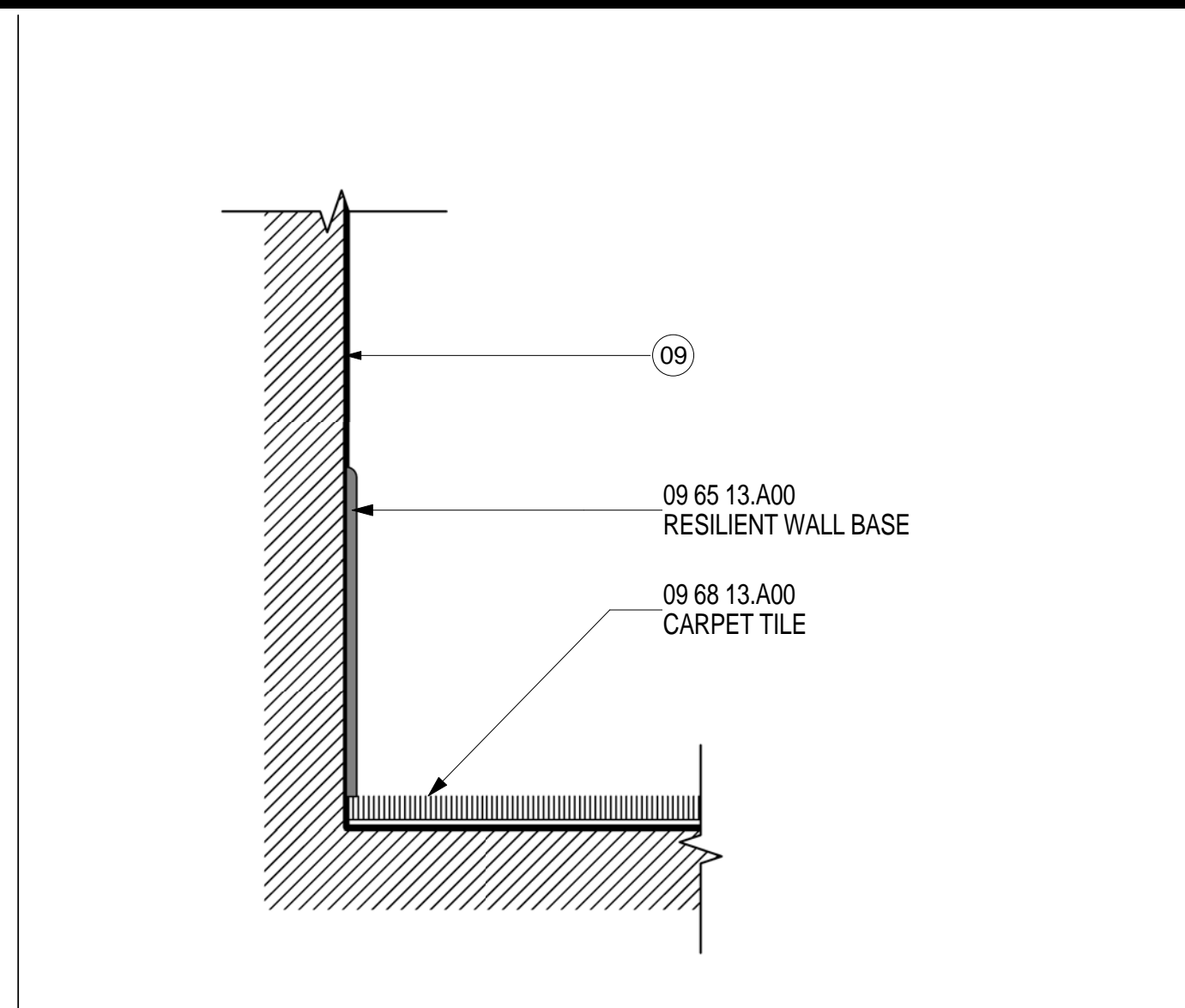
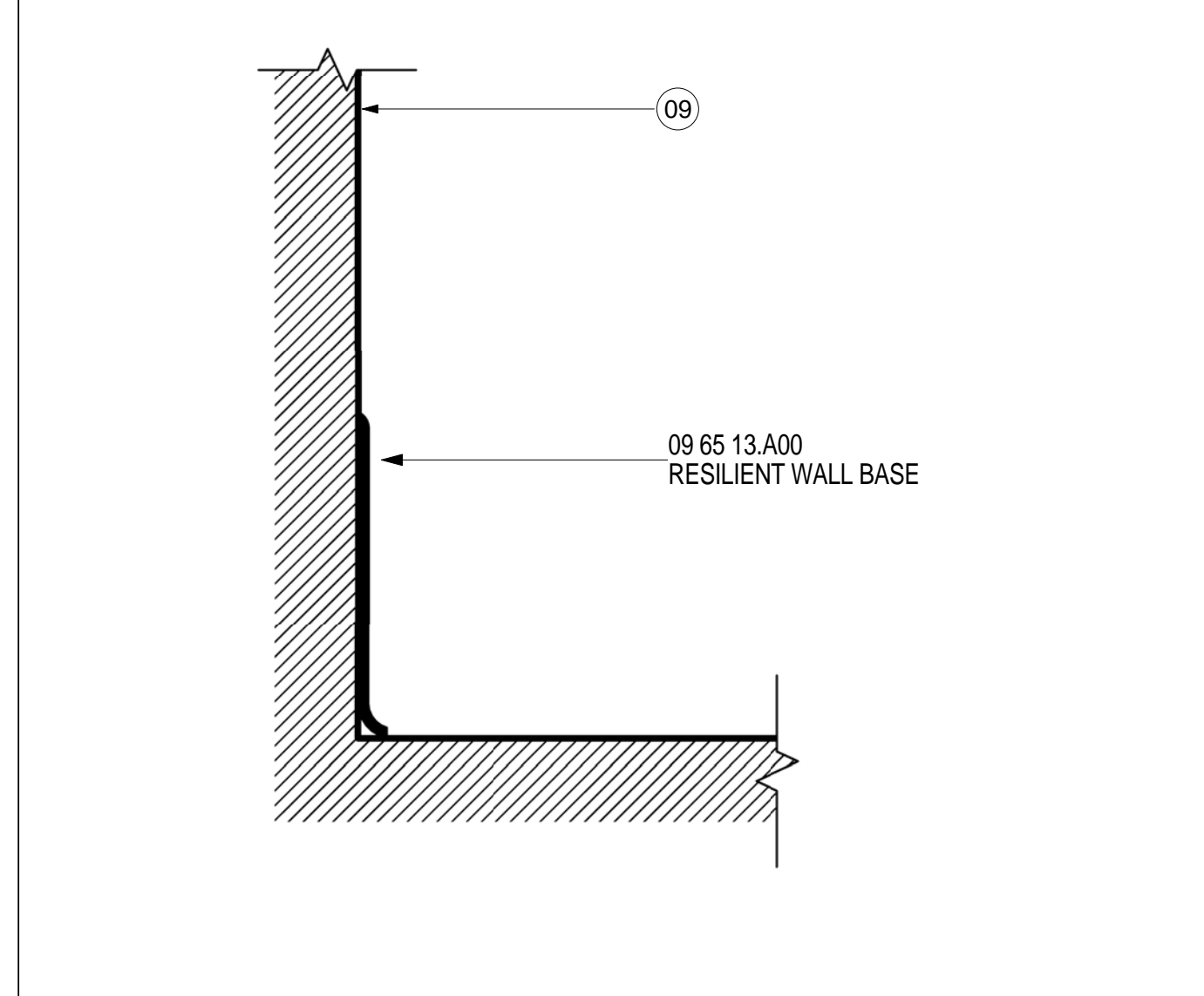


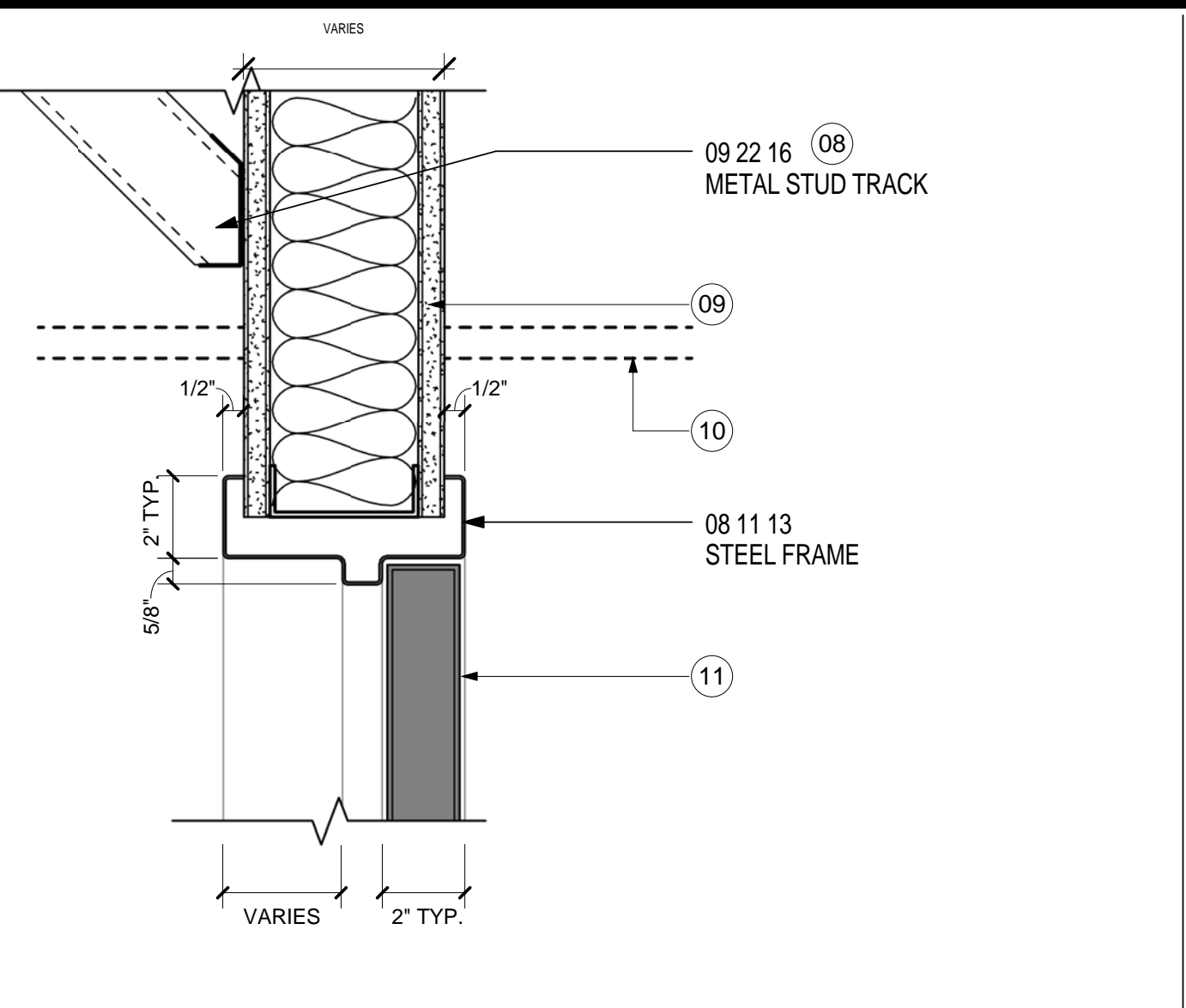
**SECTION @ WEST END TKING WALL**  
SCALE: 1" = 1'-0" A11.02



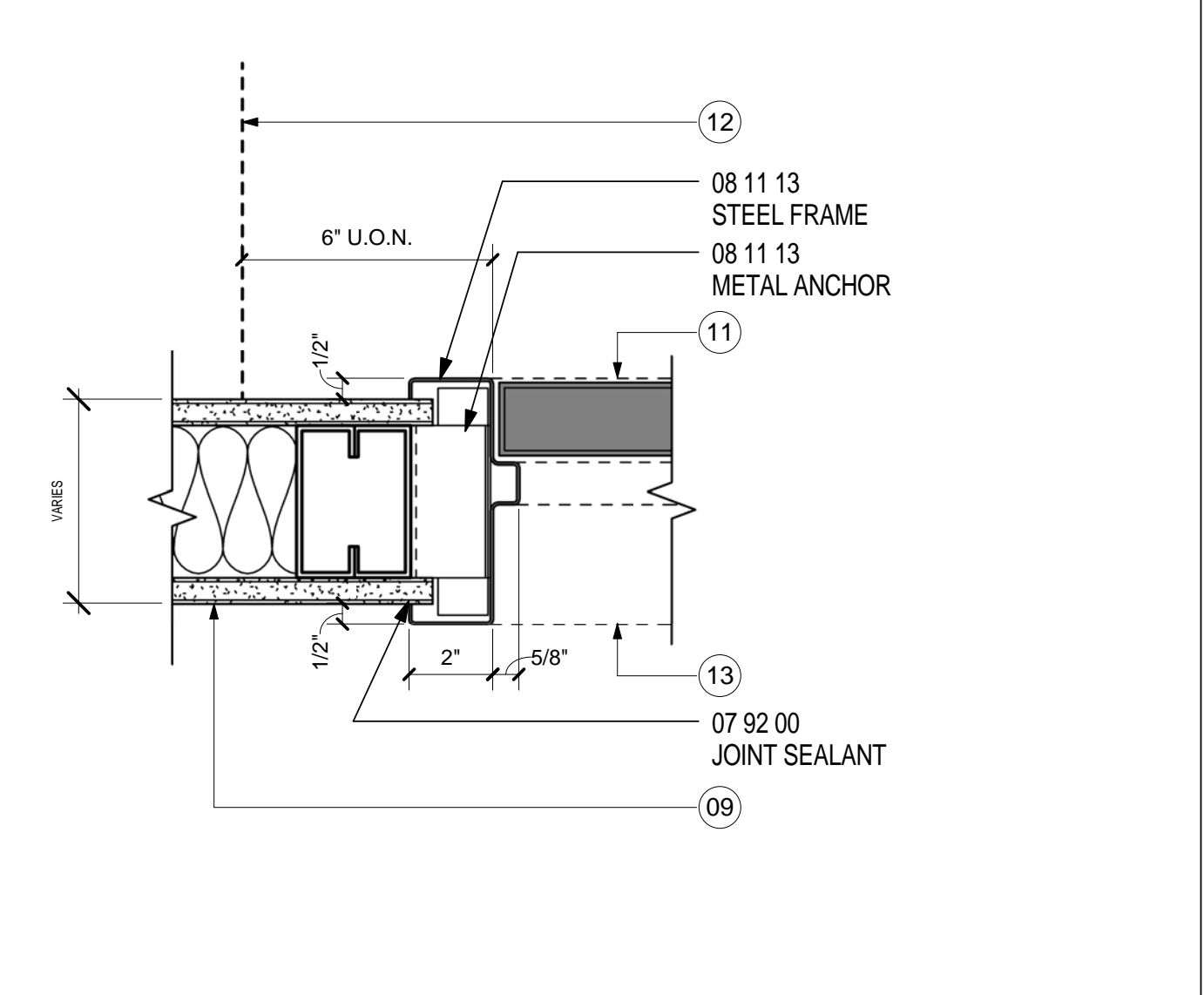
**RESILIENT BASE @ CARPET**  
SCALE: 6" = 1'-0" A11.10



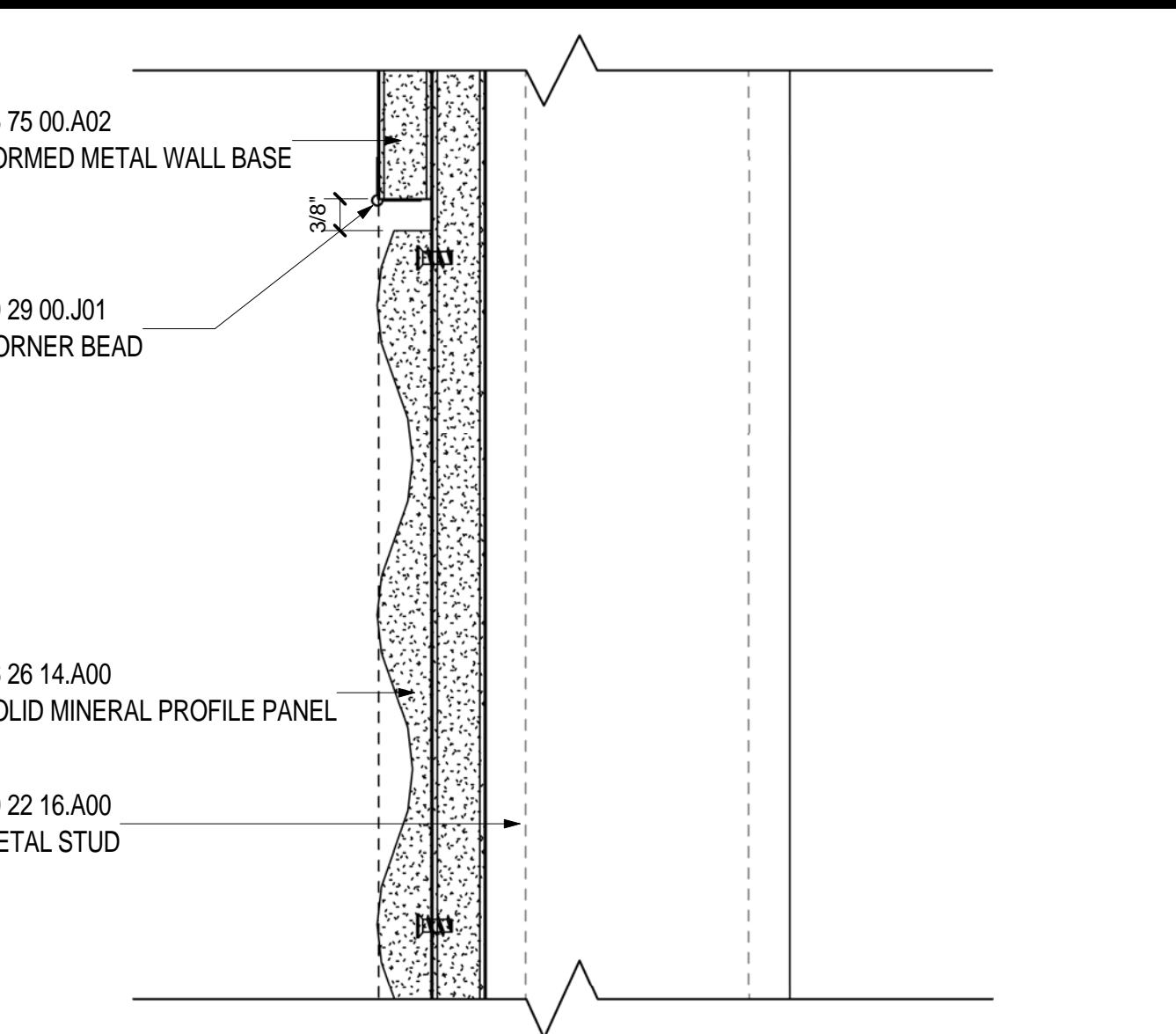
**RESILIENT BASE @ CONCRETE**  
SCALE: 6" = 1'-0" A11.11



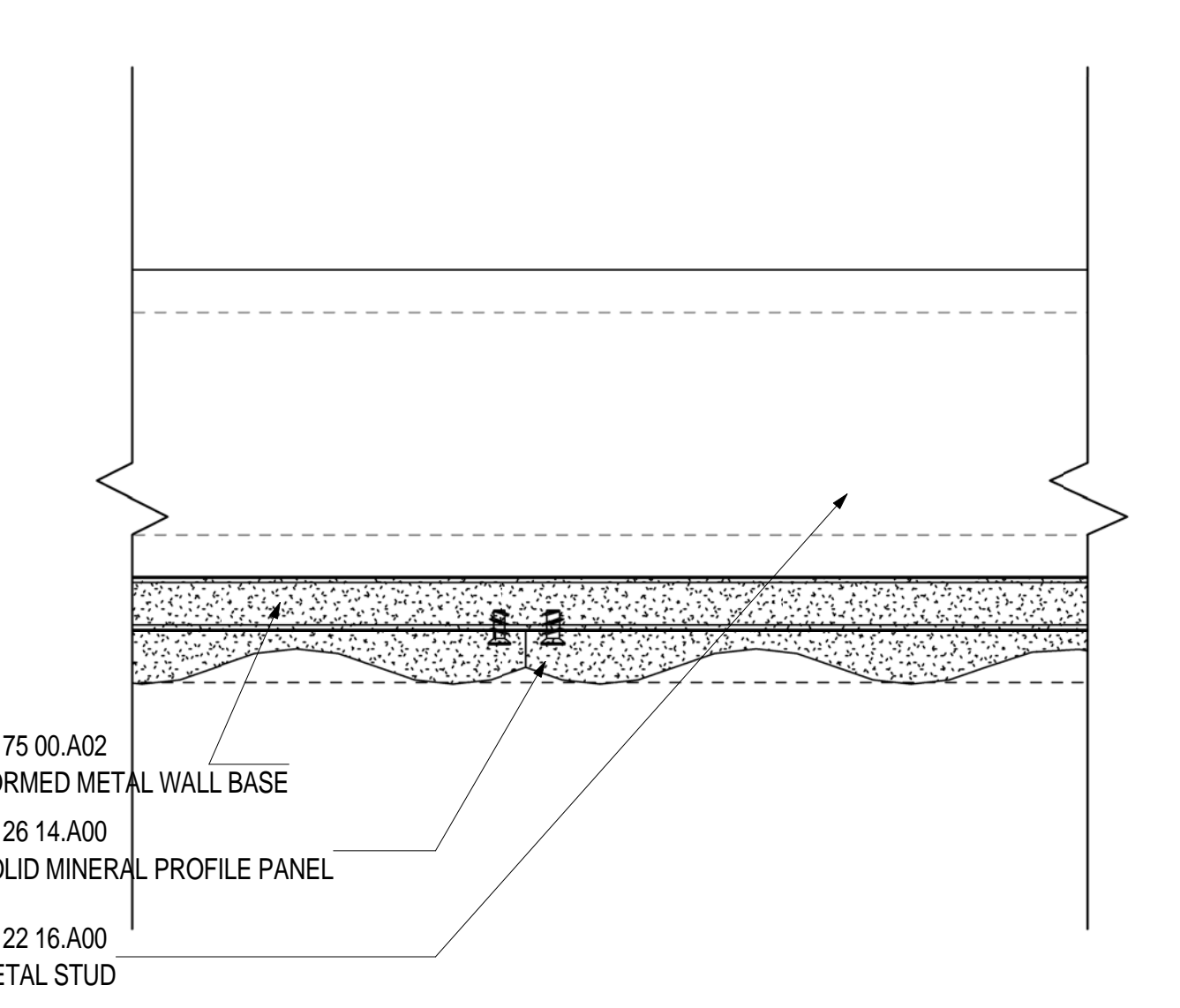
**HEAD- DOOR TYPE A**  
SCALE: 3" = 1'-0" A11.01



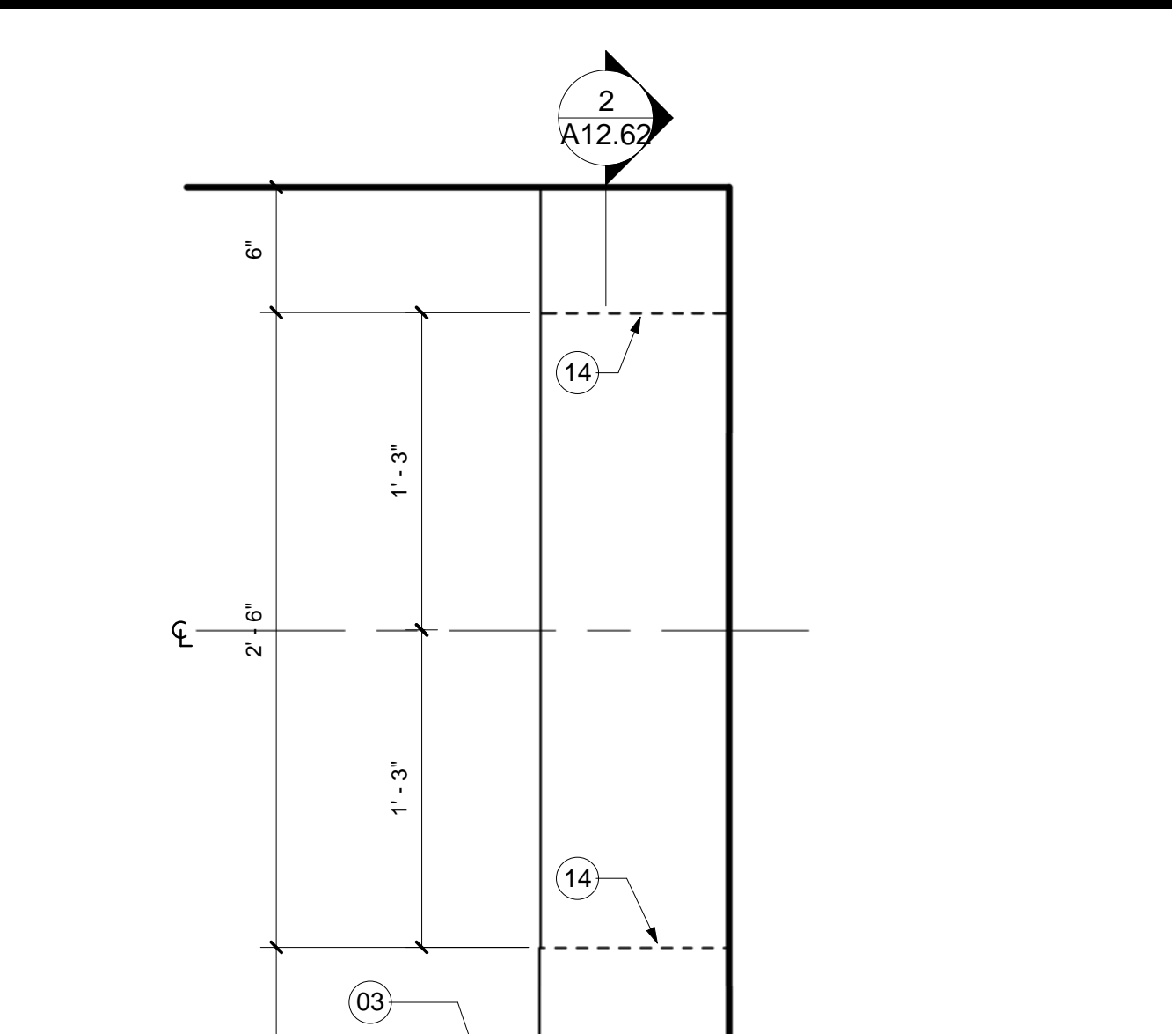
**JAMB- DOOR TYPE A**  
SCALE: 3" = 1'-0" A11.01



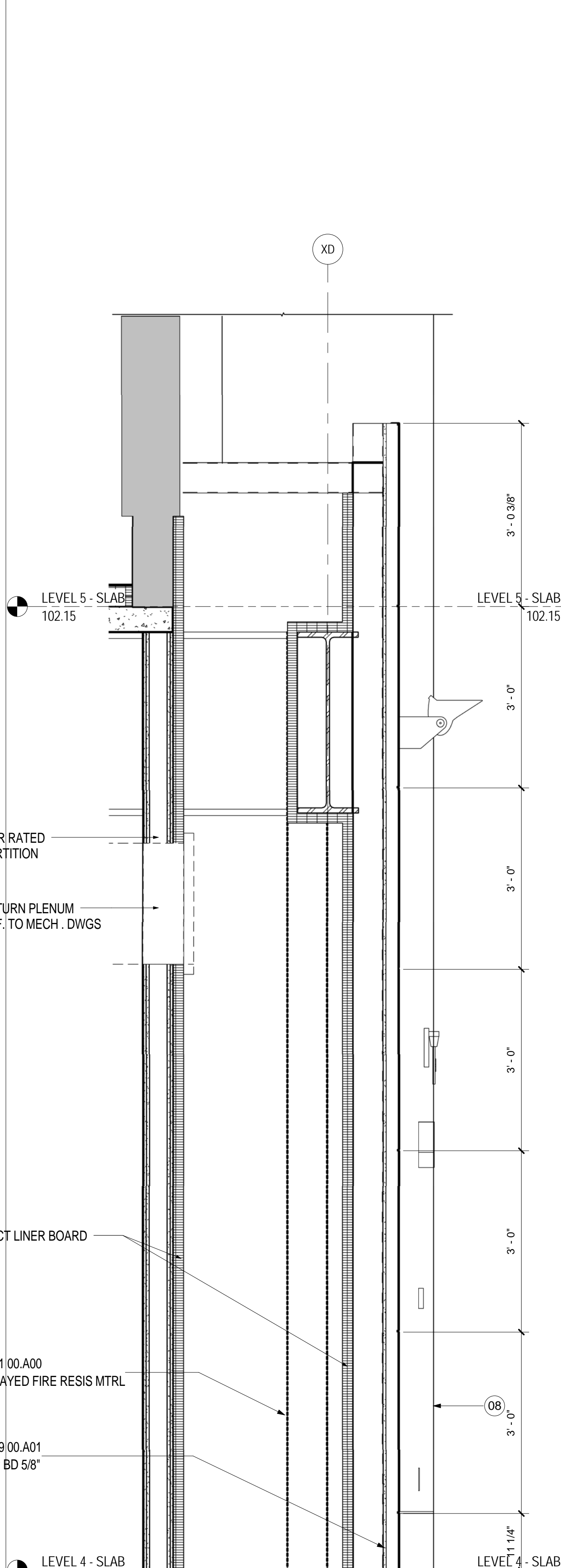
**SECTION @ MODULARTS PANEL**  
SCALE: 6" = 1'-0" A11.01



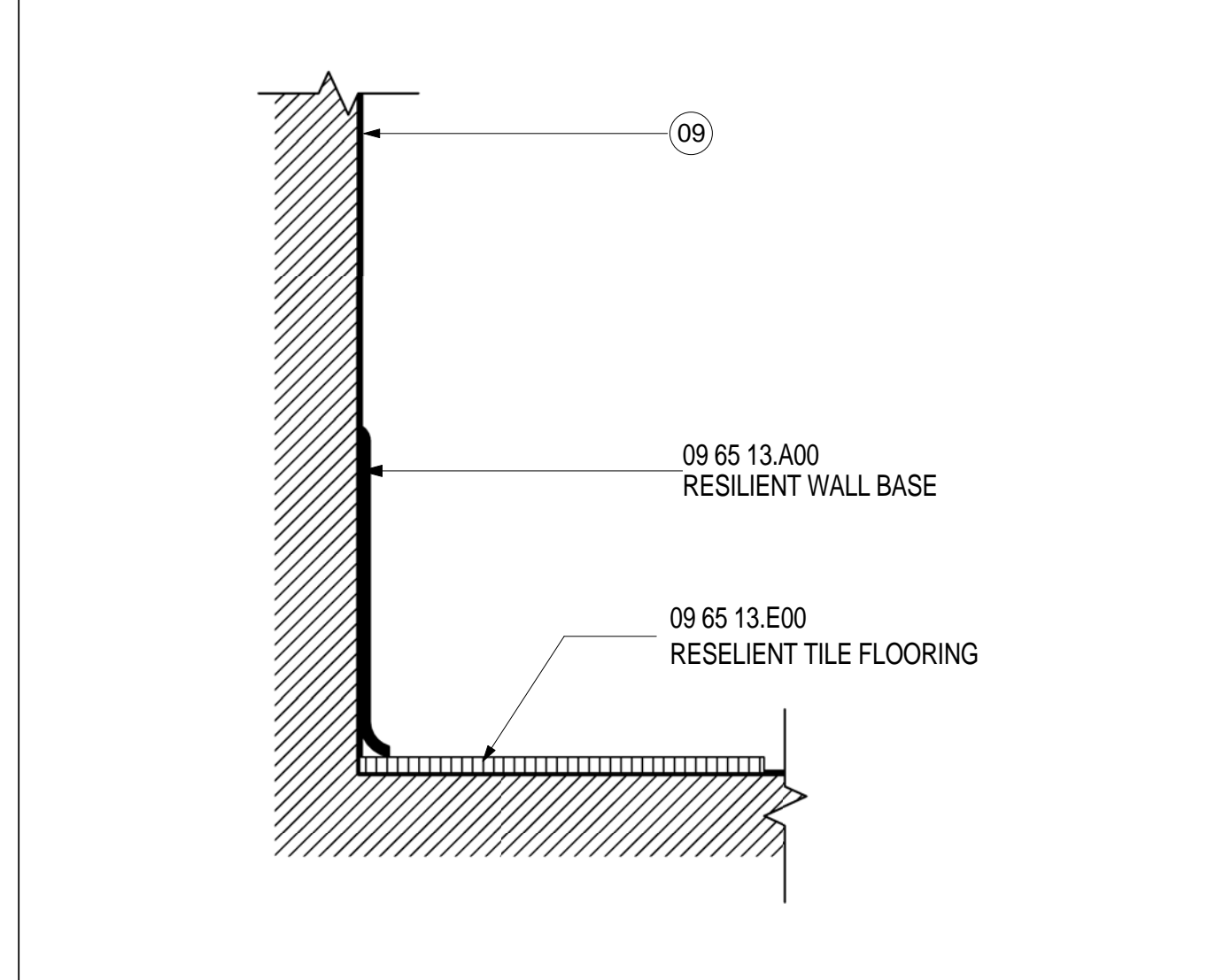
**SEAM @ MODULARTS PANEL**  
SCALE: 6" = 1'-0" A11.01



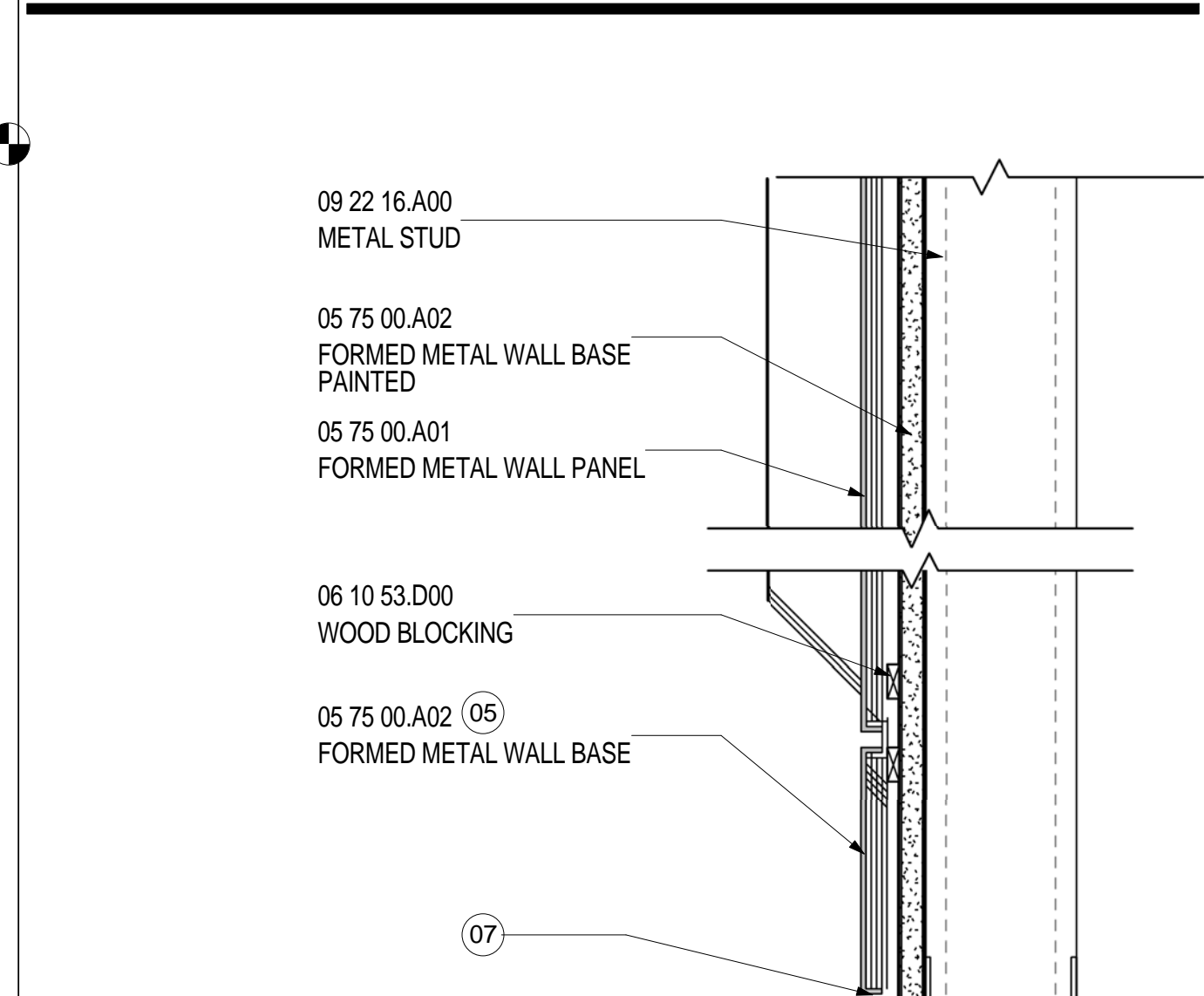
**PROFILE OF TKING BACK WALL**  
SCALE: 1 1/2" = 1'-0" A11.02



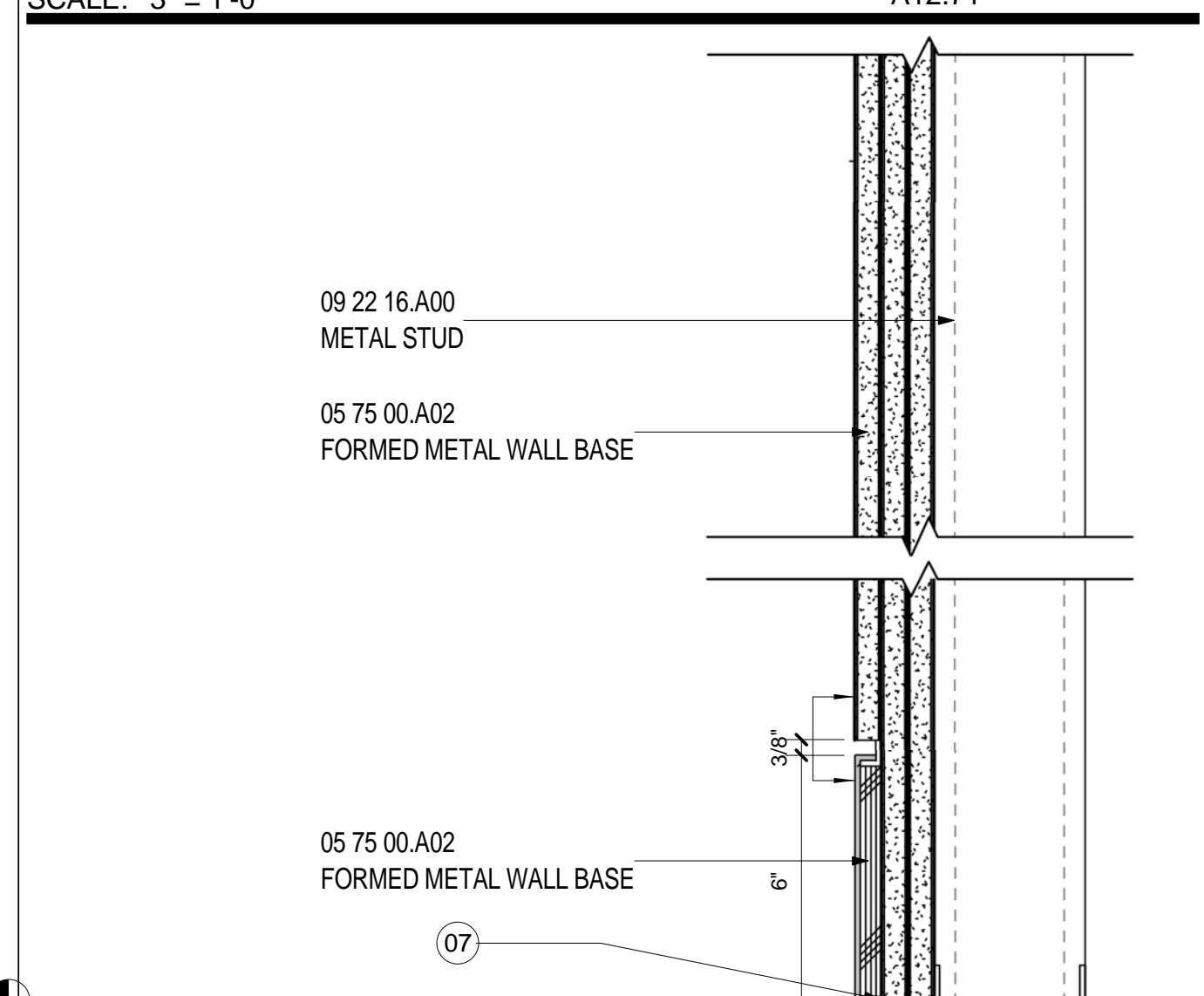
**WALL SECTION @ SECURITY PLENUM**  
SCALE: 3/4" = 1'-0" A09.24



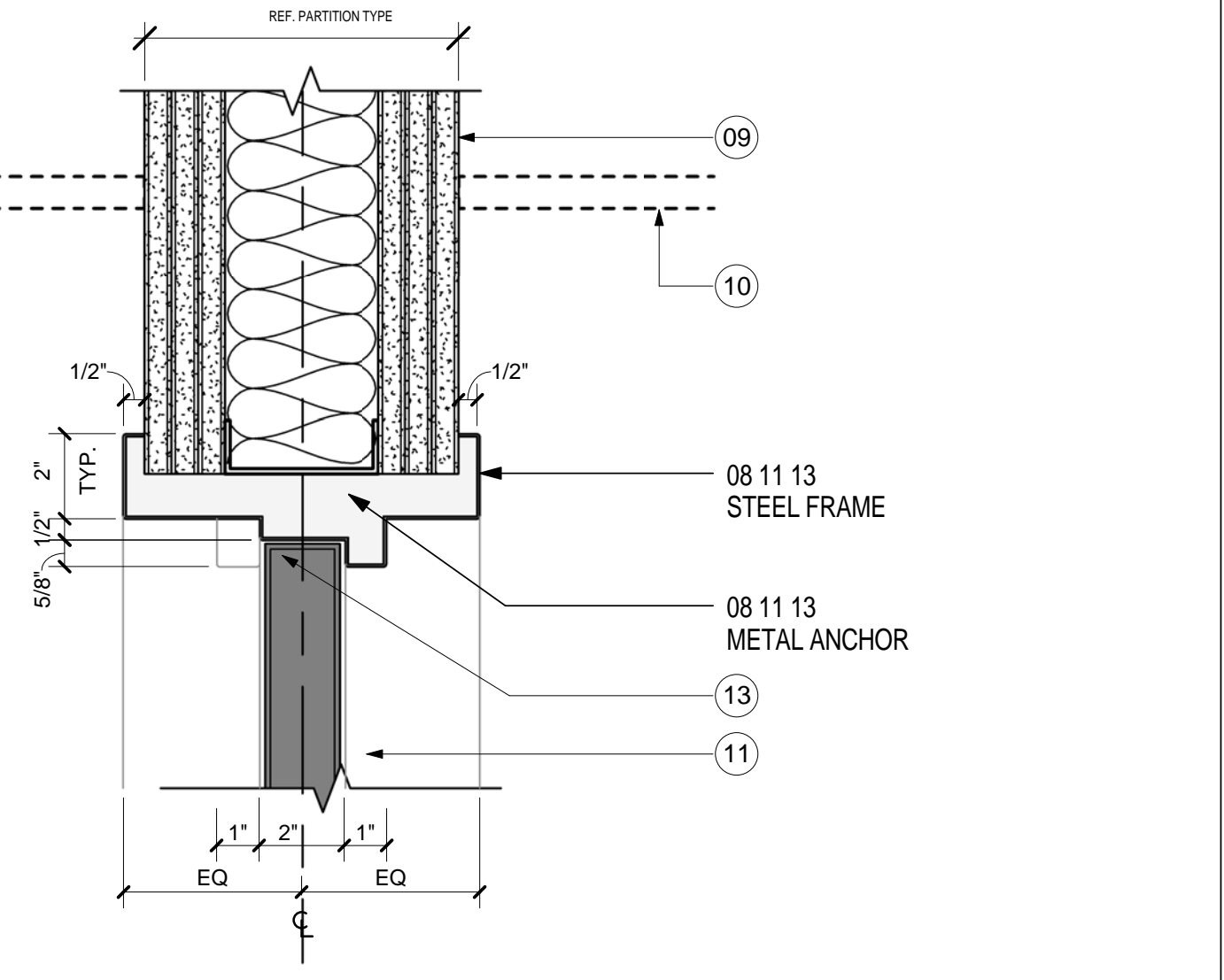
**RESILIENT BASE @ RESILIENT FLOORING**  
SCALE: 6" = 1'-0" A11.12



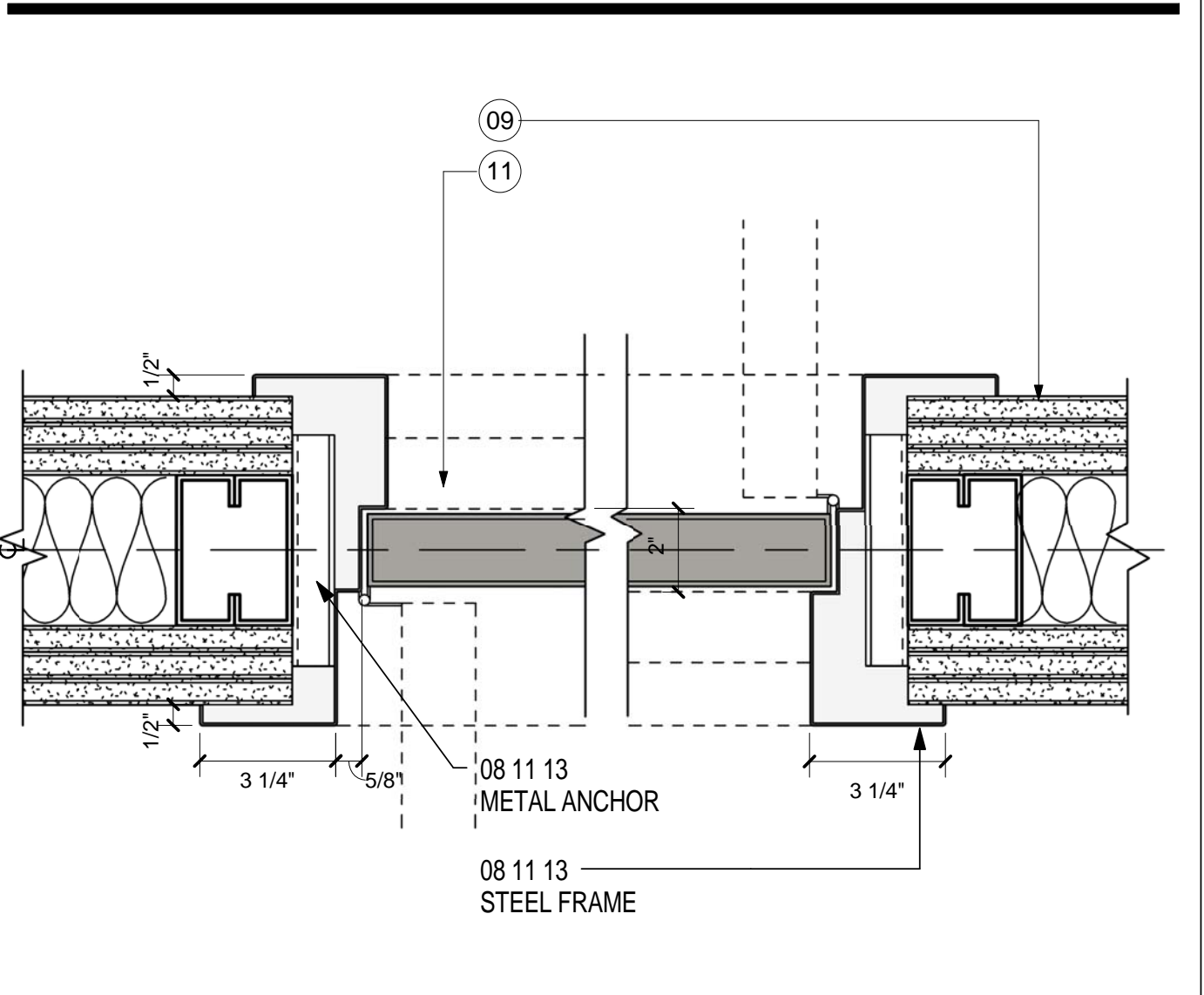
**FLUSH METAL BASE @ COLUMN COVER**  
SCALE: 3" = 1'-0" A12.71



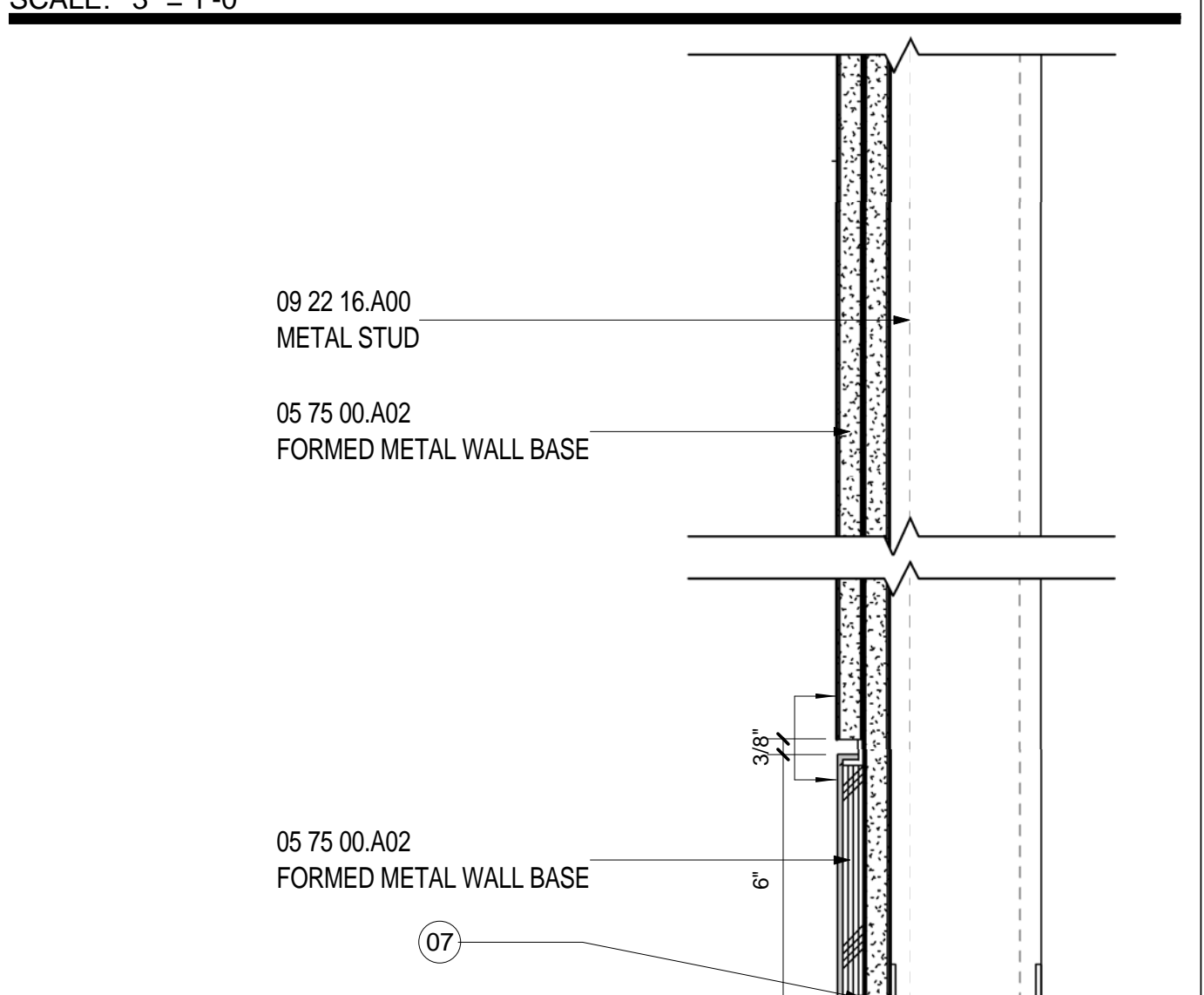
**FLUSH METAL BASE /RATED PARTITION**  
SCALE: 3" = 1'-0" A11.03



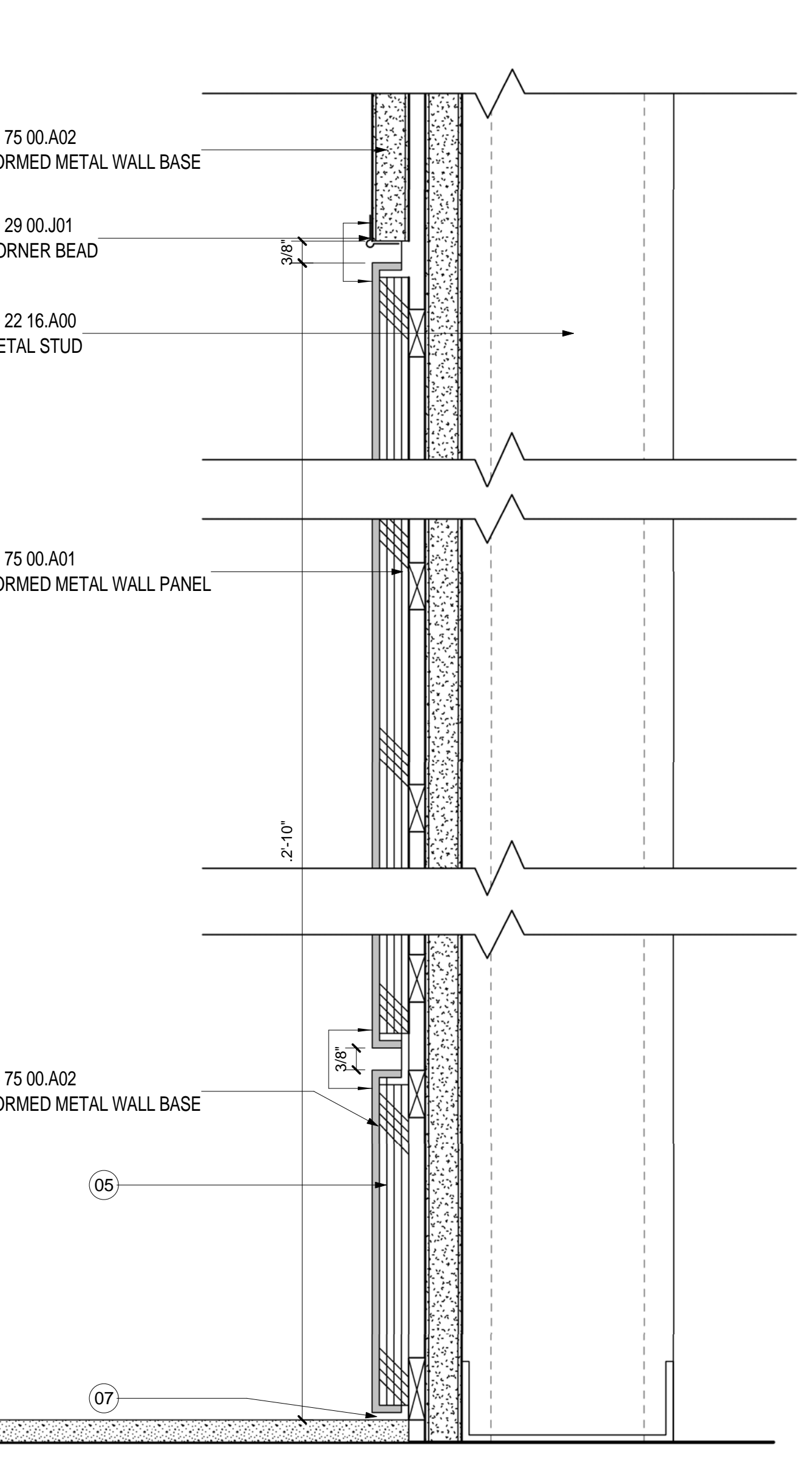
**HEAD- DOOR TYPE A3**  
SCALE: 3" = 1'-0" A11.01



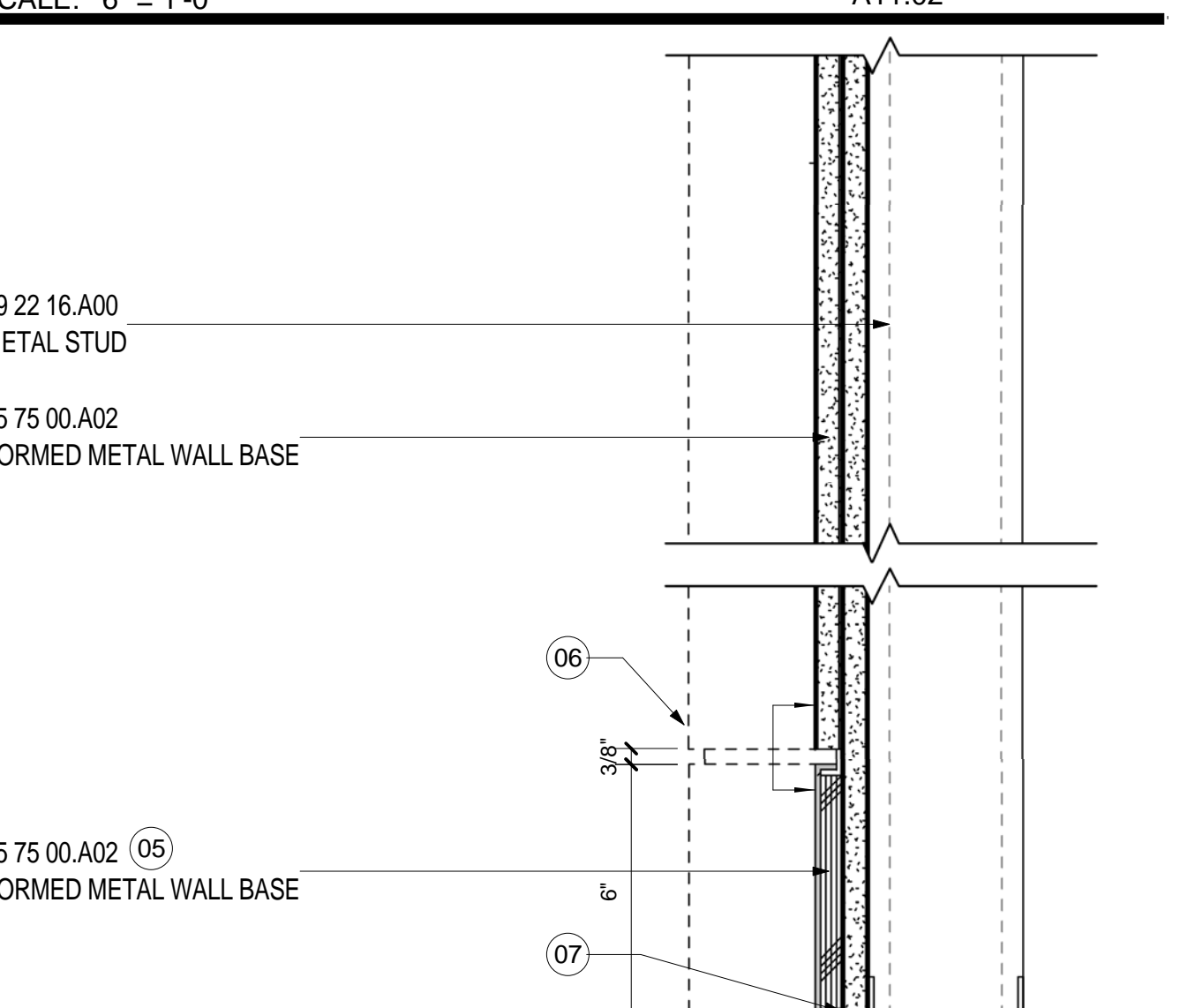
**JAMB- DOOR TYPE A3**  
SCALE: 3" = 1'-0" A11.01



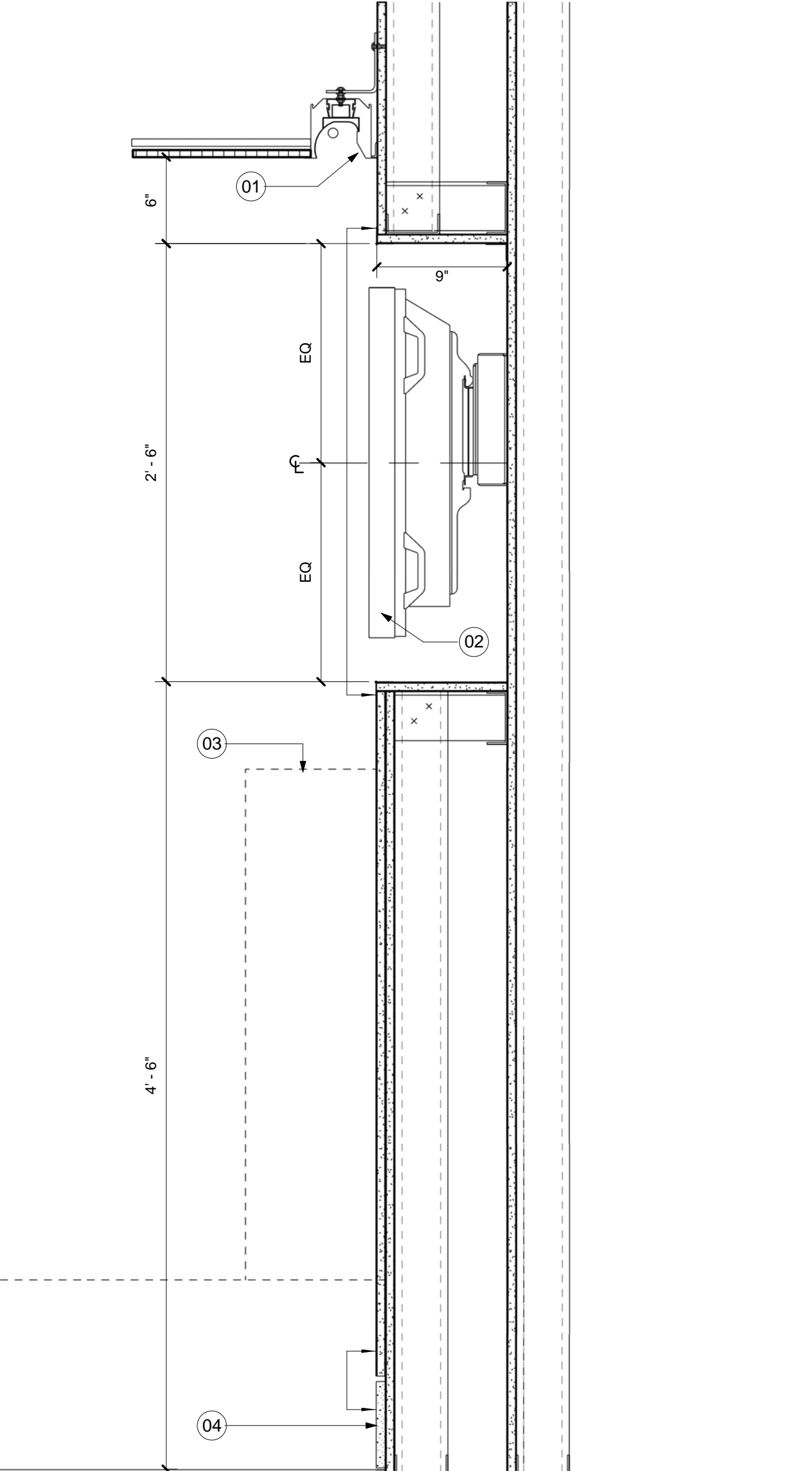
**FLUSH METAL BASE**  
SCALE: 3" = 1'-0" A11.02



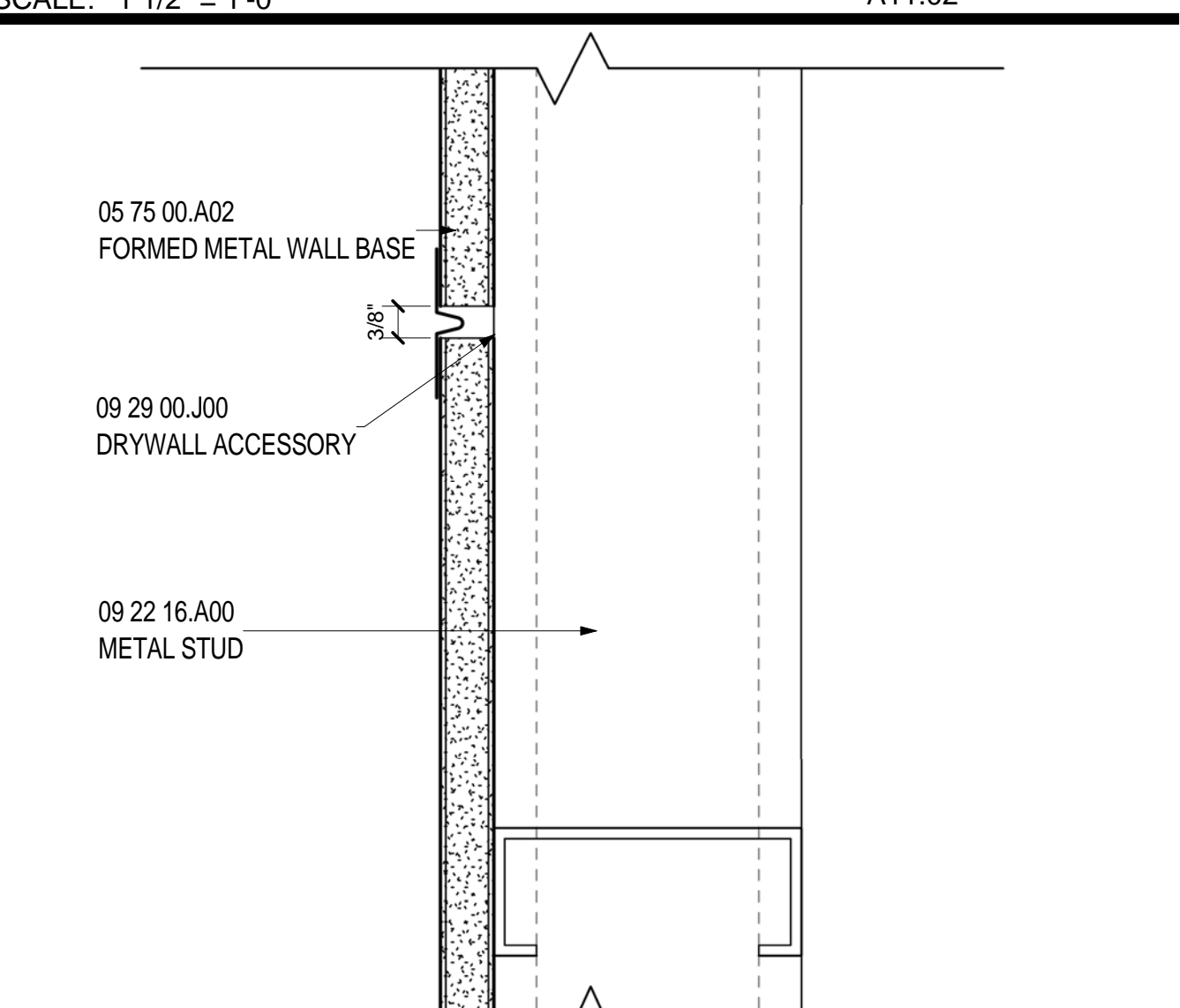
**SECTION @ BACK WALL**  
SCALE: 6" = 1'-0" A11.02



**INFILL @ COLUMN COVER**  
SCALE: 3" = 1'-0" A12.71



**SECTION @ TKING WALL**  
SCALE: 1 1/2" = 1'-0" A11.02



**CONTROL JOINT @ GYP. BD**  
SCALE: 6" = 1'-0" A11.02

- SHEET NOTES**
- SCHEDULED LIGHT FIXTURE. RE: A04 SERIES FOR RCP AND PROJECT MANUAL FOR ADDITIONAL INFORMATION
  - PASSENGER INFORMATION DISPLAY SYSTEM: COORDINATE MOUNTING AND POWER REQUIREMENTS.
  - BAGGAGE TAKE AWAY CONVEYOR. RE: TO BAGGAGE DRAWINGS FOR MORE INFORMATION.
  - NO WALL BASE REQUIRED AT BAGGAGE BELT LOCATION; REFER TO ARCHITECTURAL FLOOR PLAN FOR MORE INFORMATION.
  - SCHEDULED BASE
  - EDGE OF COLUMN COVER BEYOND. HORIZONTAL REVEAL TO TRACK/ALIGN AROUND ALL SIDED
  - PROVIDE BLACK FILLER TRIM TO CONCEAL GYP BOARD
  - METAL STUD BRACING TO UNDERSIDE OF SLAB ABOVE AT DOOR OPENING
  - SCHEDULED PARTITION. RE: A02 SERIES FOR CONSTRUCTION PLAN AND PARTITION TYPES.
  - SCHEDULED CEILING. RE: A04 SERIES FOR REFLECTED CEILING PLANS
  - SCHEDULED DOOR. RE: A00.30 FOR DOOR SCHEDULE
  - SCHEDULED ADJACENT PARTITION WHERE OCCURS. RE: CONSTRUCTION PLAN
  - LINE OF FRAME HEADER ABOVE
  - LINE OF TICKETING BACK WALL PROFILE BEYOND

**Portland International Jetport**  
1001 Westbrook Street  
Portland, Maine 04102

**Gensler**  
2020 K Street, Northwest  
Suite 200  
Washington DC 20006  
Telephone 202.721.5200  
Facsimile 202.872.8587

Date	Description
12/03/08	75% CONSTRUCTION DOCUMENTS
01/23/09	95% CONSTRUCTION DOCUMENTS
10/26/09	ISSUED FOR PERMIT
145 09/01/11	ISSUED FOR CONSTRUCTION

\_\_\_\_\_  
Seal/Signature

**Project Name**  
PWM Terminal Enhancement

**Project Number**  
09.6395.000

**Description**  
INTERIOR DETAILS

**Scale**  
As indicated

**A12.62**

© 2009 Gensler