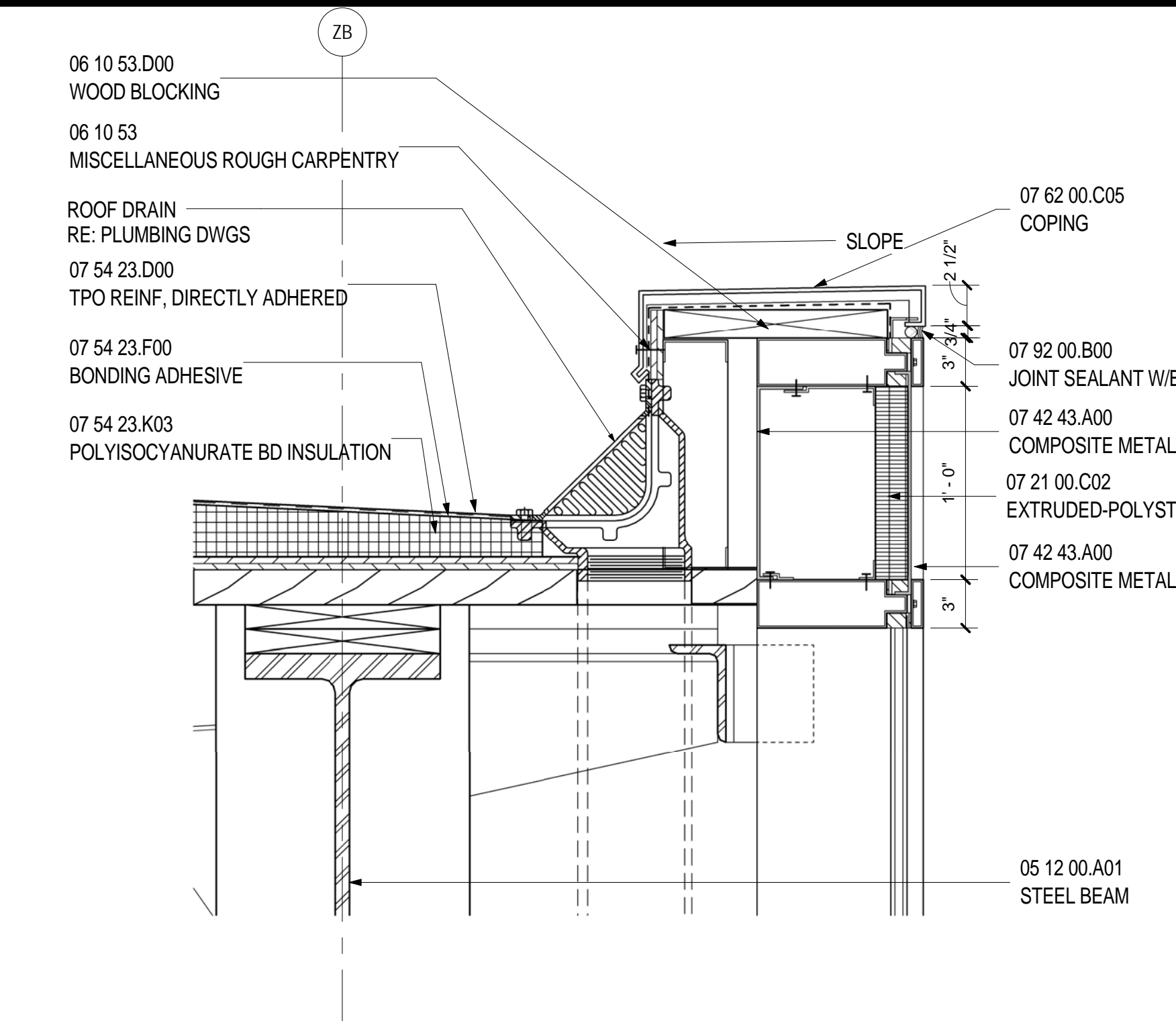
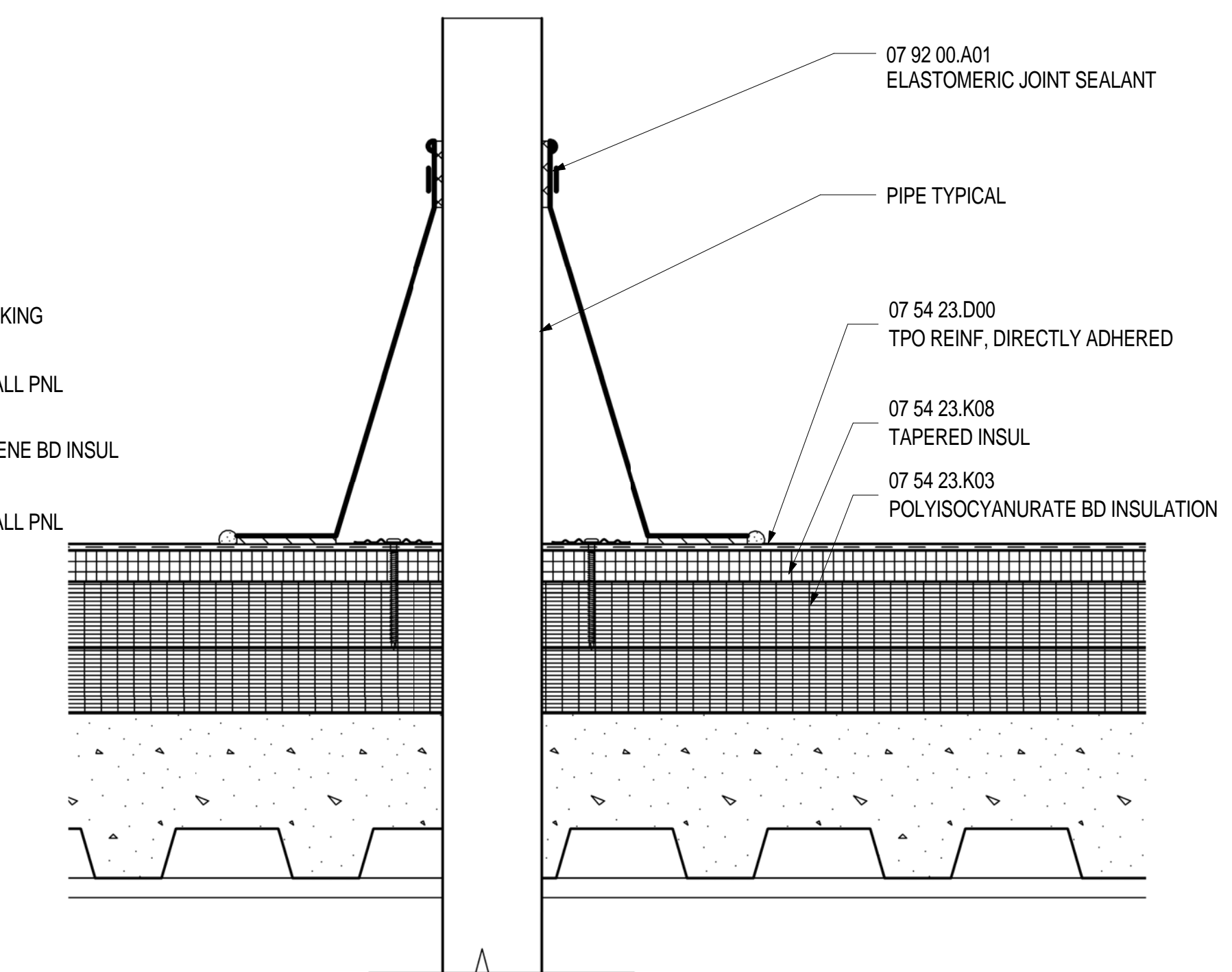


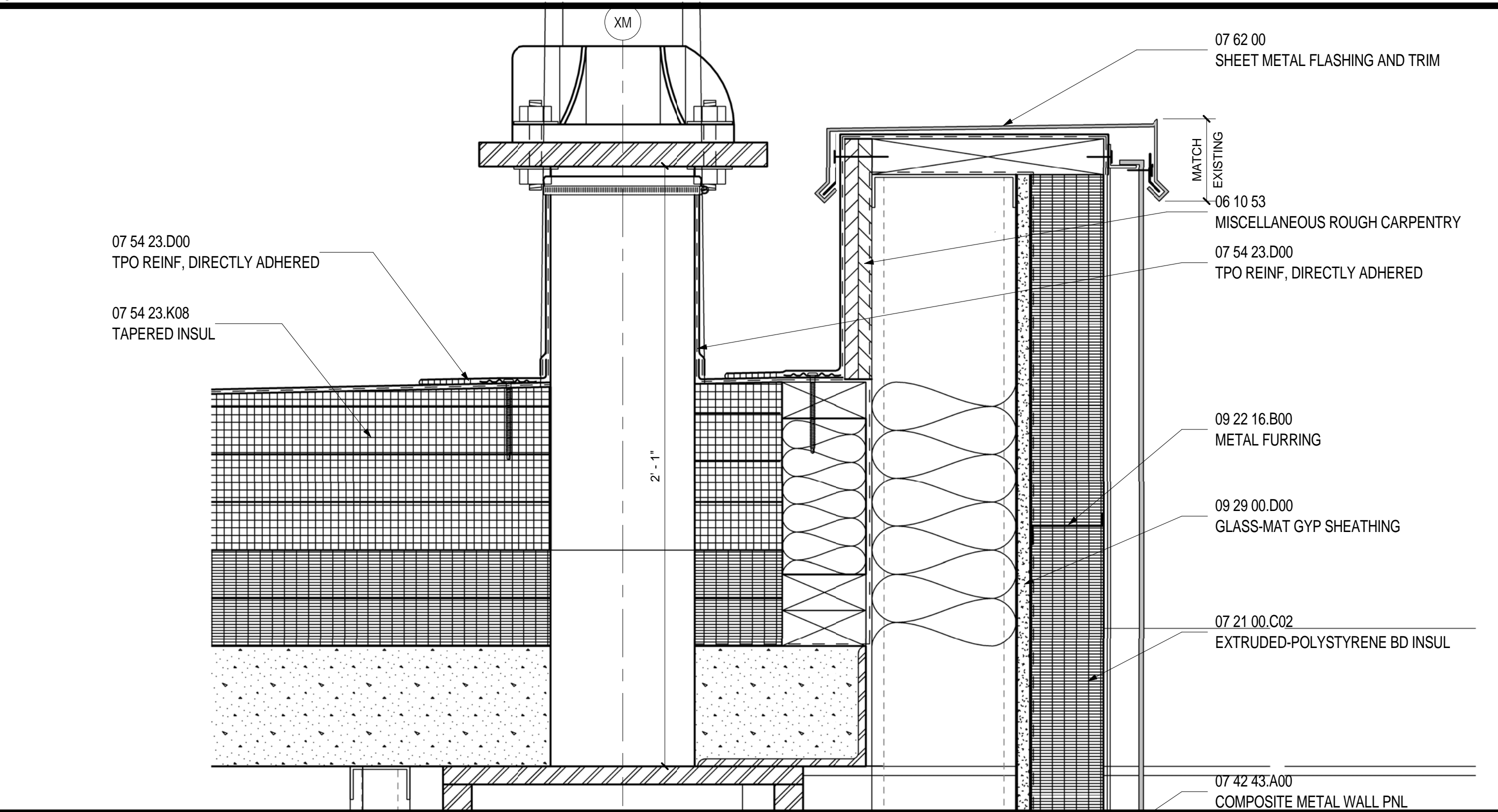
ROOF DRAIN
SCALE: 3" = 1'-0"



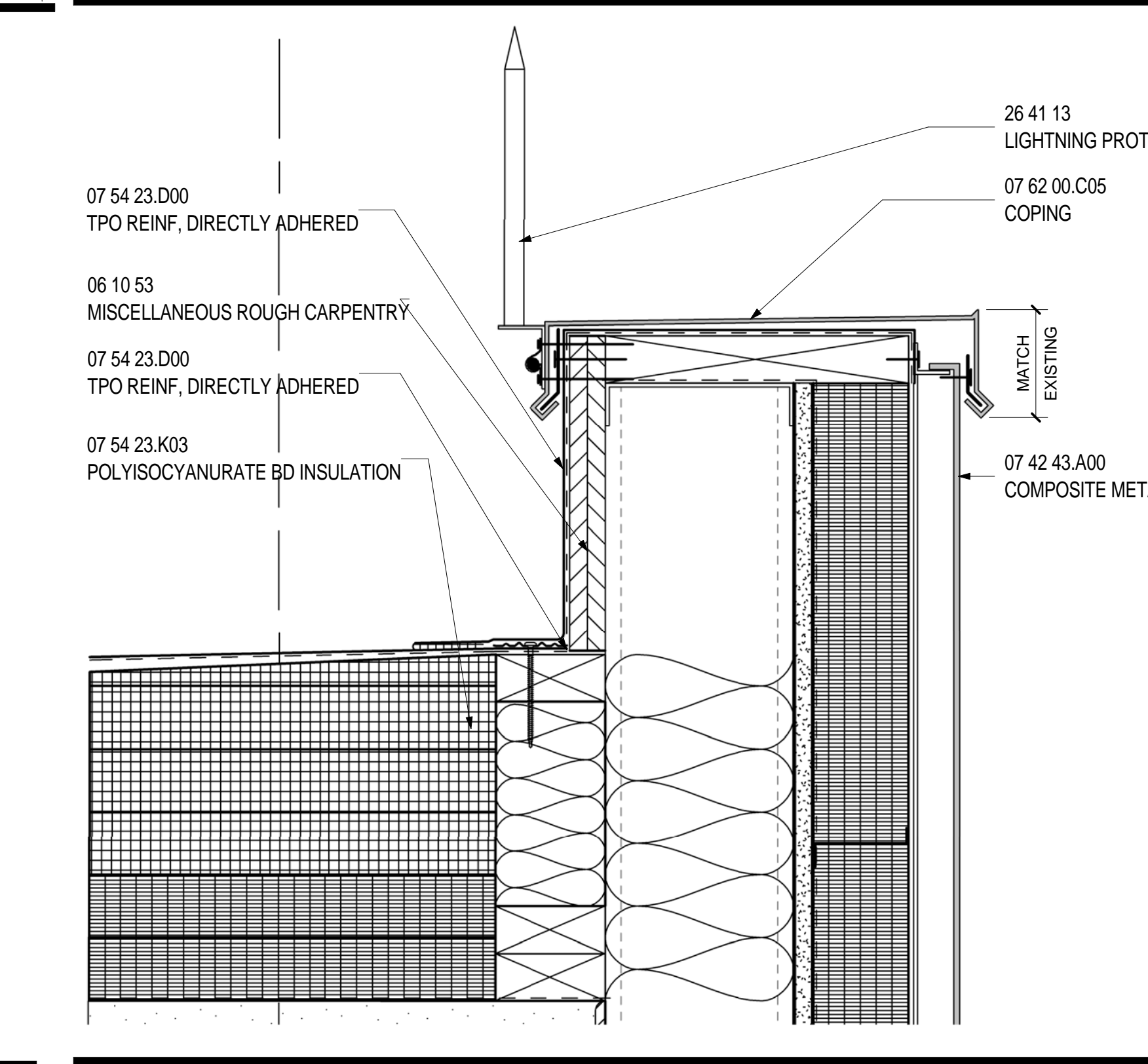
9 SCUPPER DRAIN @ HIGH ROOF
SCALE: 1 1/2" = 1'-0"



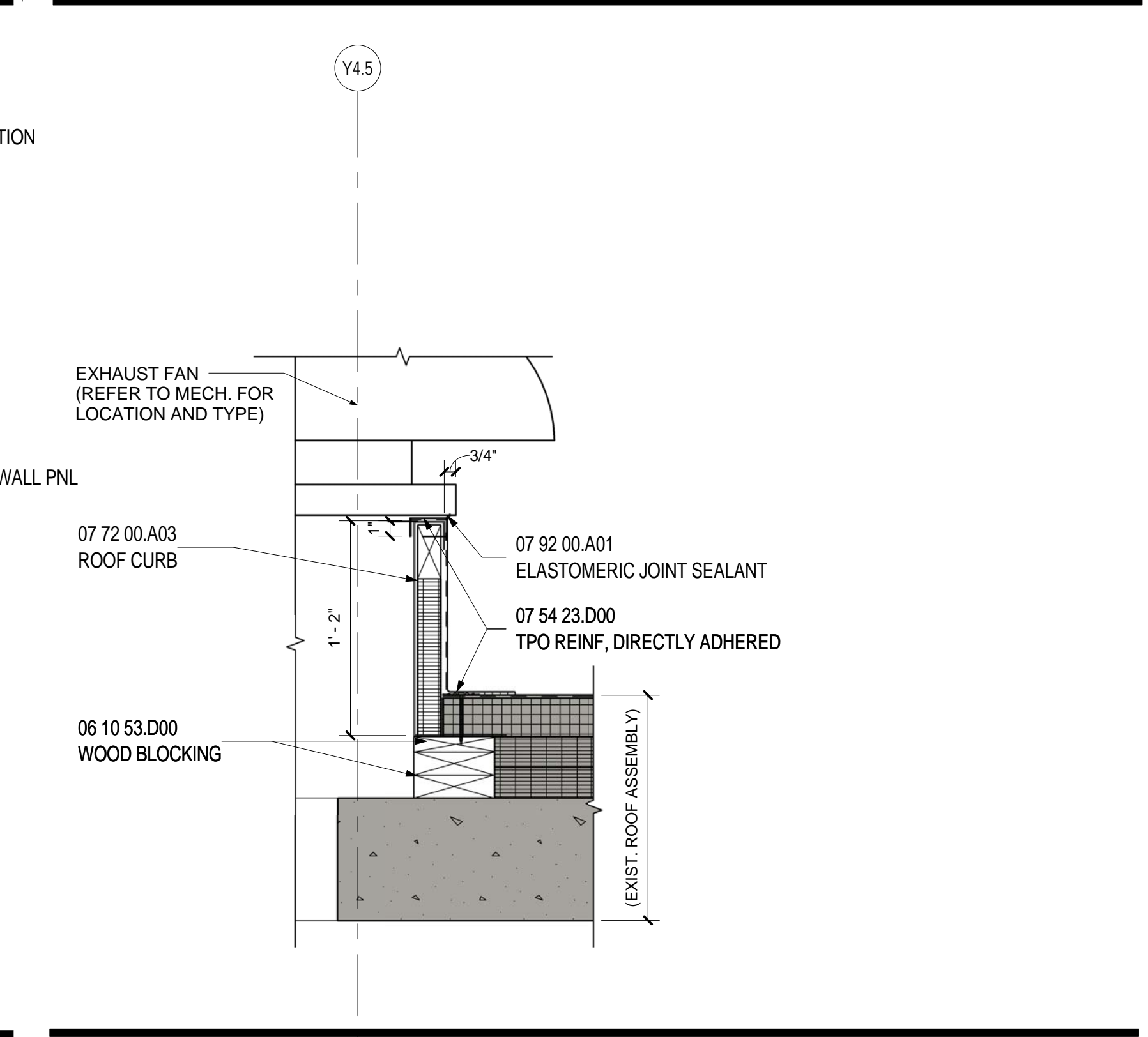
5 PIPE FLASHING
SCALE: 3" = 1'-0"



PARAPET AT LIGHT POLE
SCALE: 3" = 1'-0"

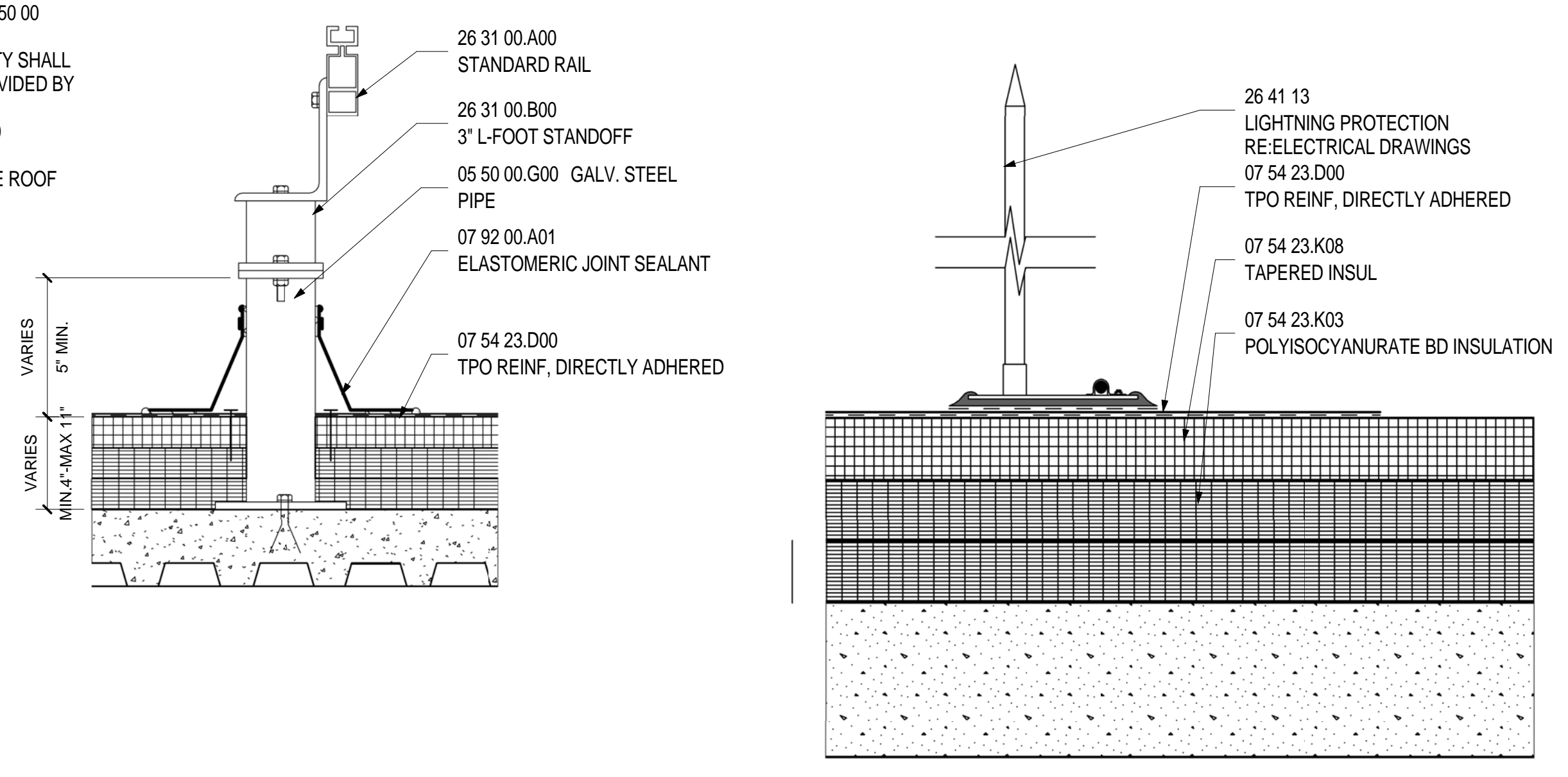


10 LIGHTNING PROTECTION AT PARAPET
SCALE: 3" = 1'-0"

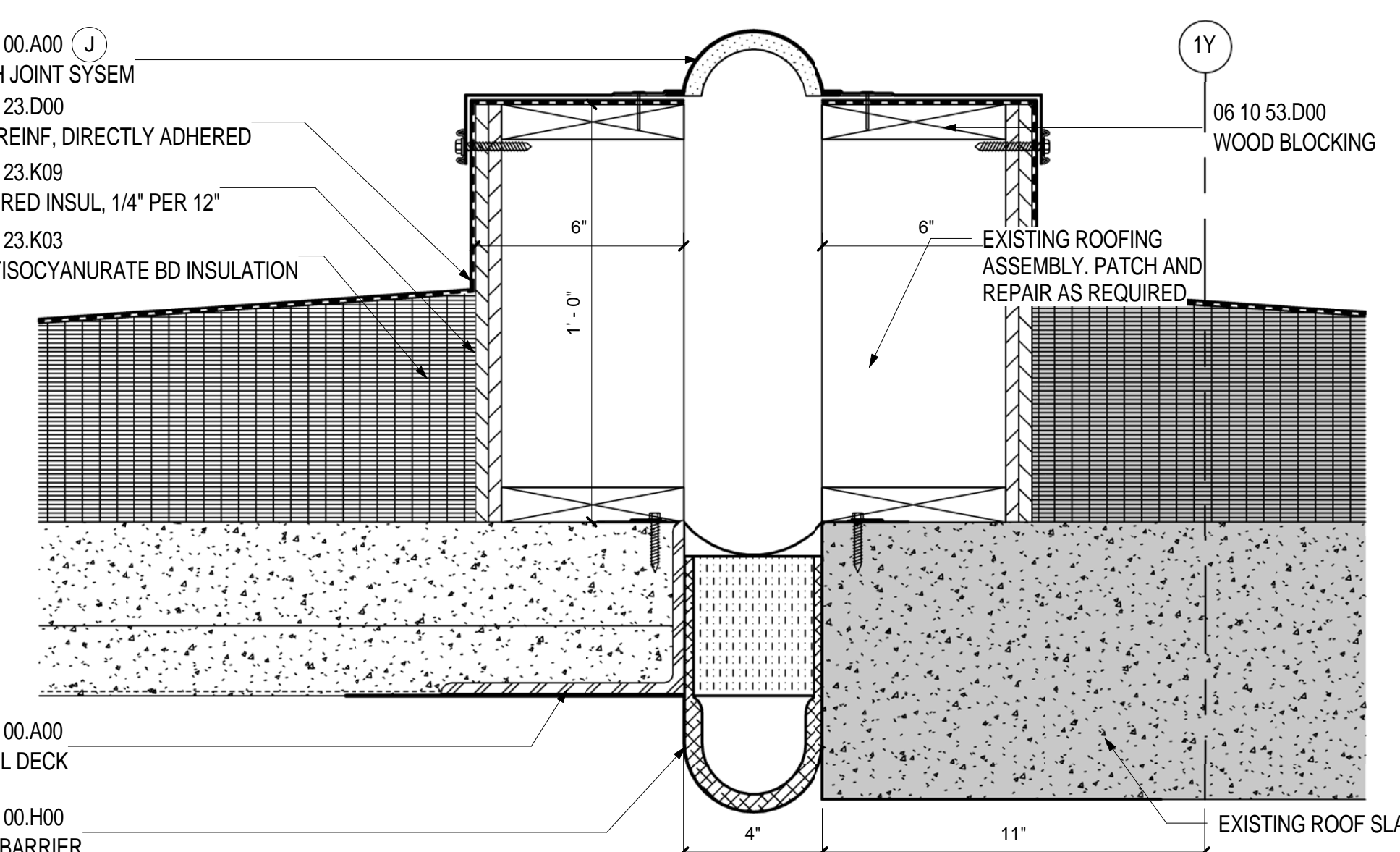


6 ROOF CURB AT EXHAUST UNIT
SCALE: 1 1/2" = 1'-0"

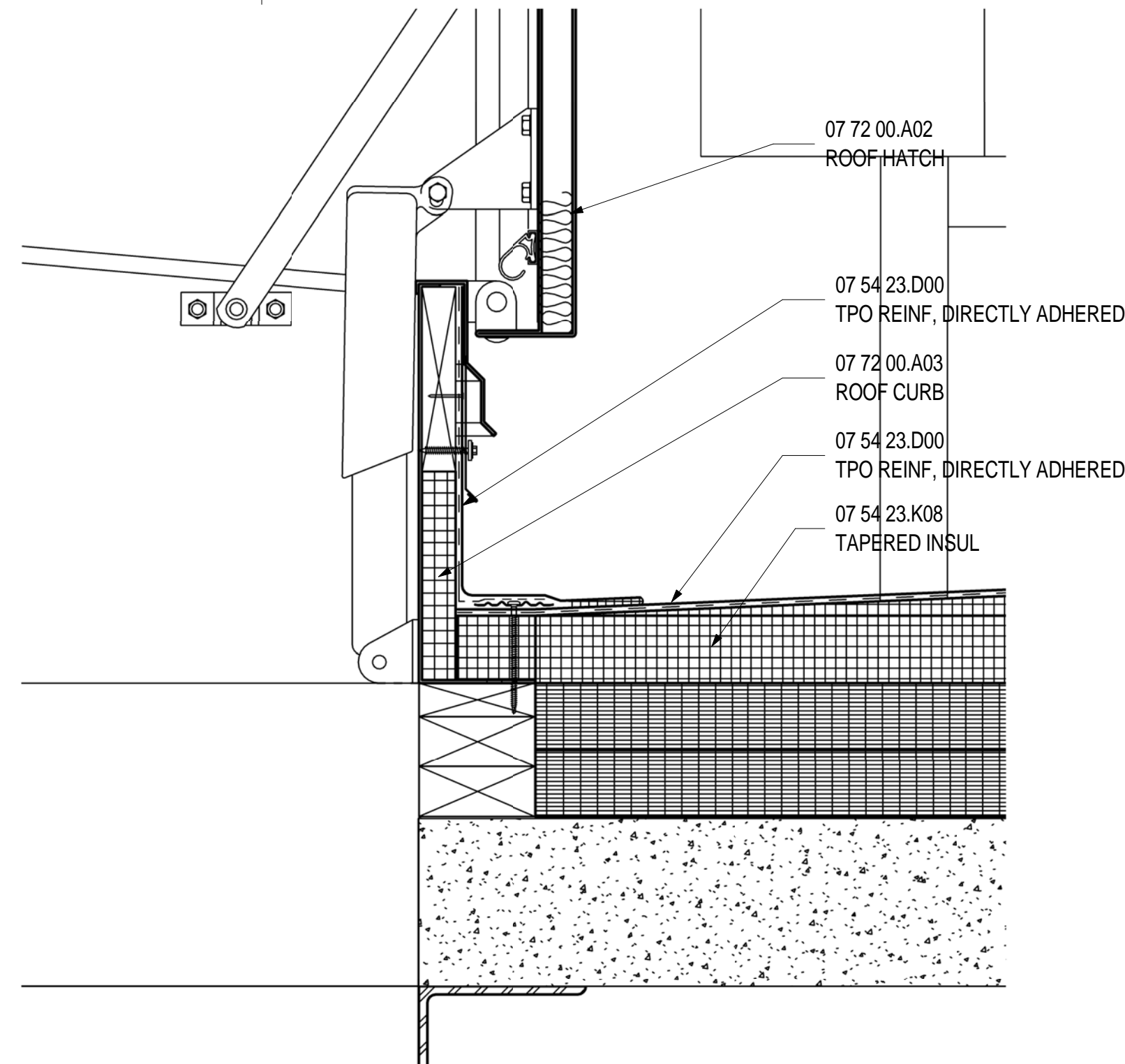
- NOTES:
1. STEEL PIPES, PLATES, CONNECTIONS, BOLTS, AND WELDS SHALL BE ENGINEERED AND SIZED BY SUBCONTRACTORS PER SPEC 05 50 00
2. STEEL PIPE SPACING AND QUANTITY SHALL MEET LOADING REQUIREMENTS PROVIDED BY SOLAR PANEL AND SOLAR MOUNT SUBCONTRACTOR PER SPEC 26 31 00
3. SOLAR MOUNTS SHALL NOT IMPEDE ROOF DRAINAGE



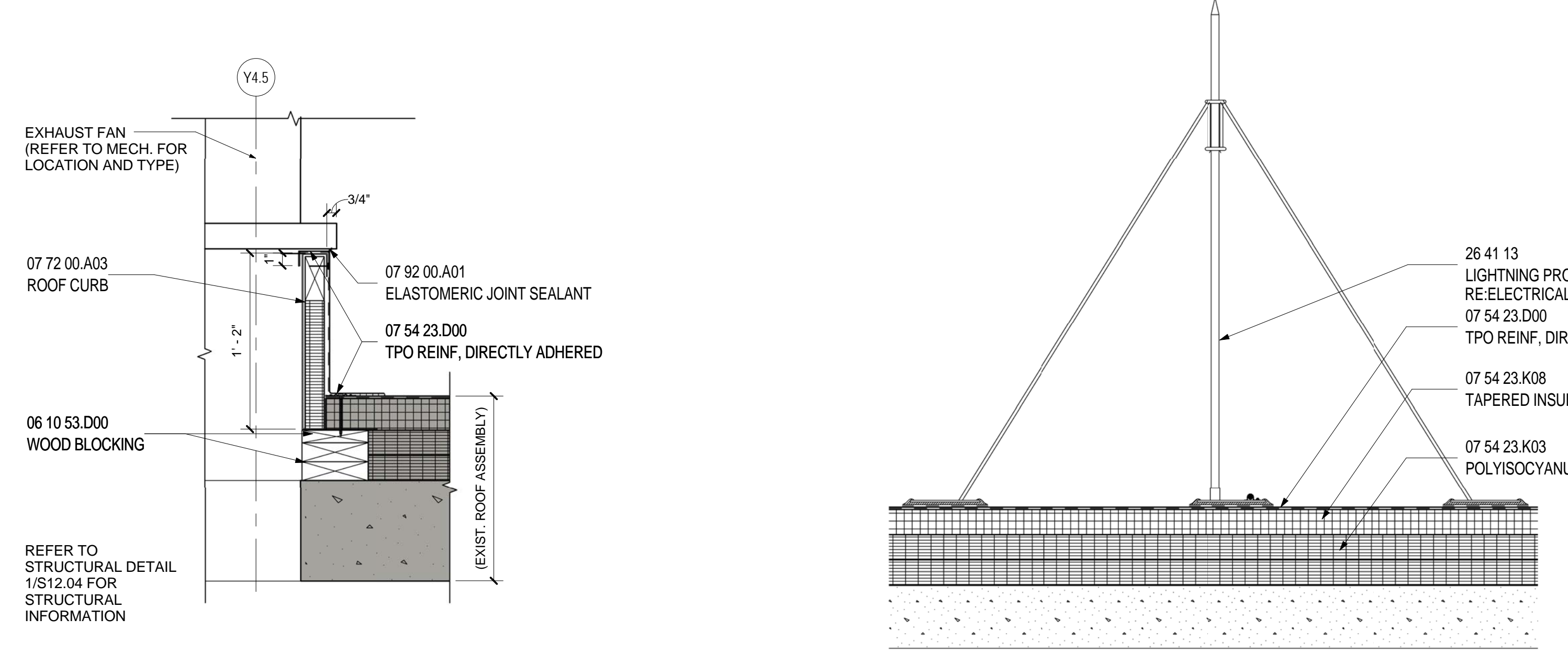
TYP. SOLAR PANEL SUPPORT
SCALE: 1 1/2" = 1'-0"



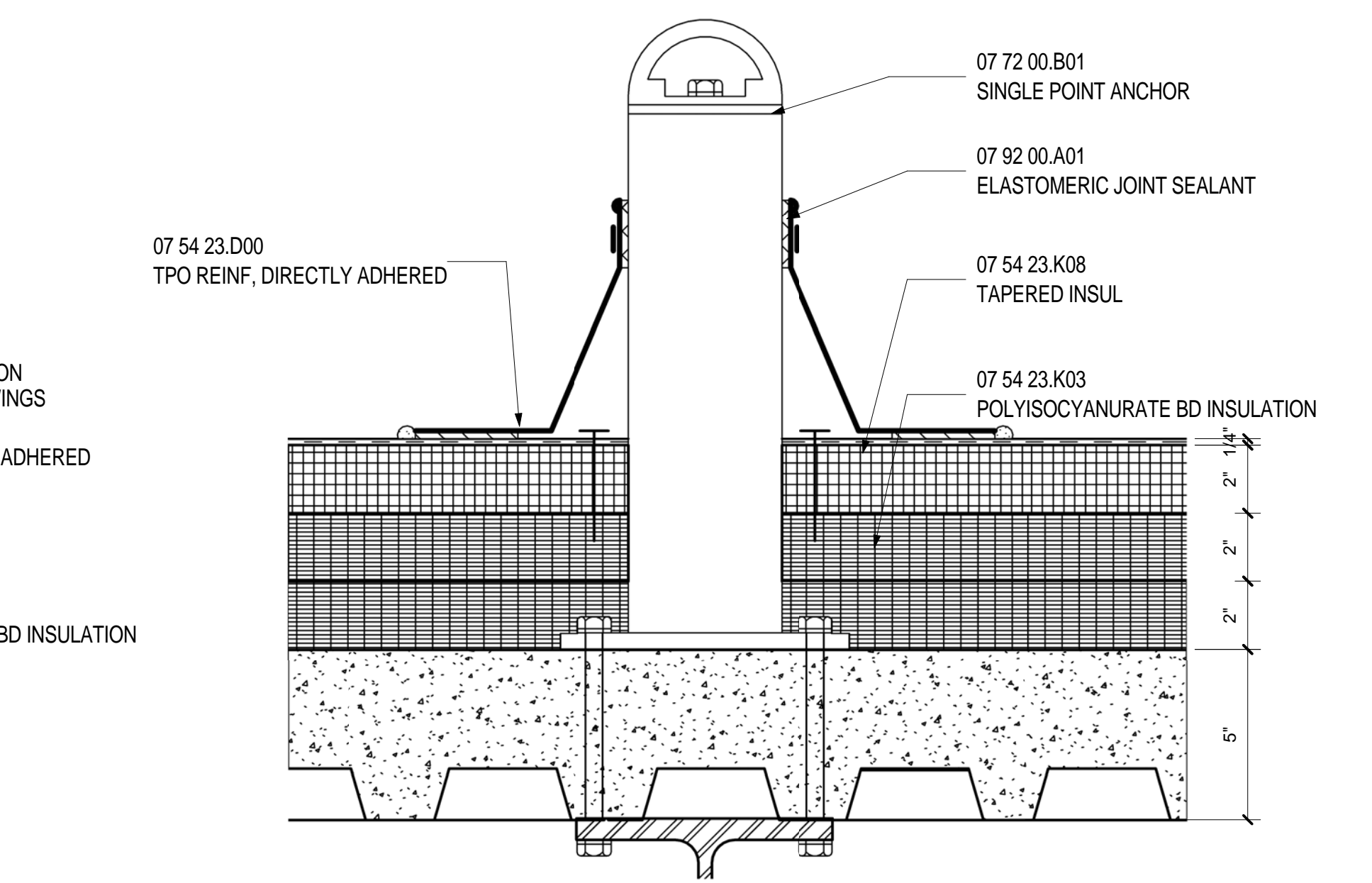
11 ROOF EXPANSION JOINT
SCALE: 3" = 1'-0"



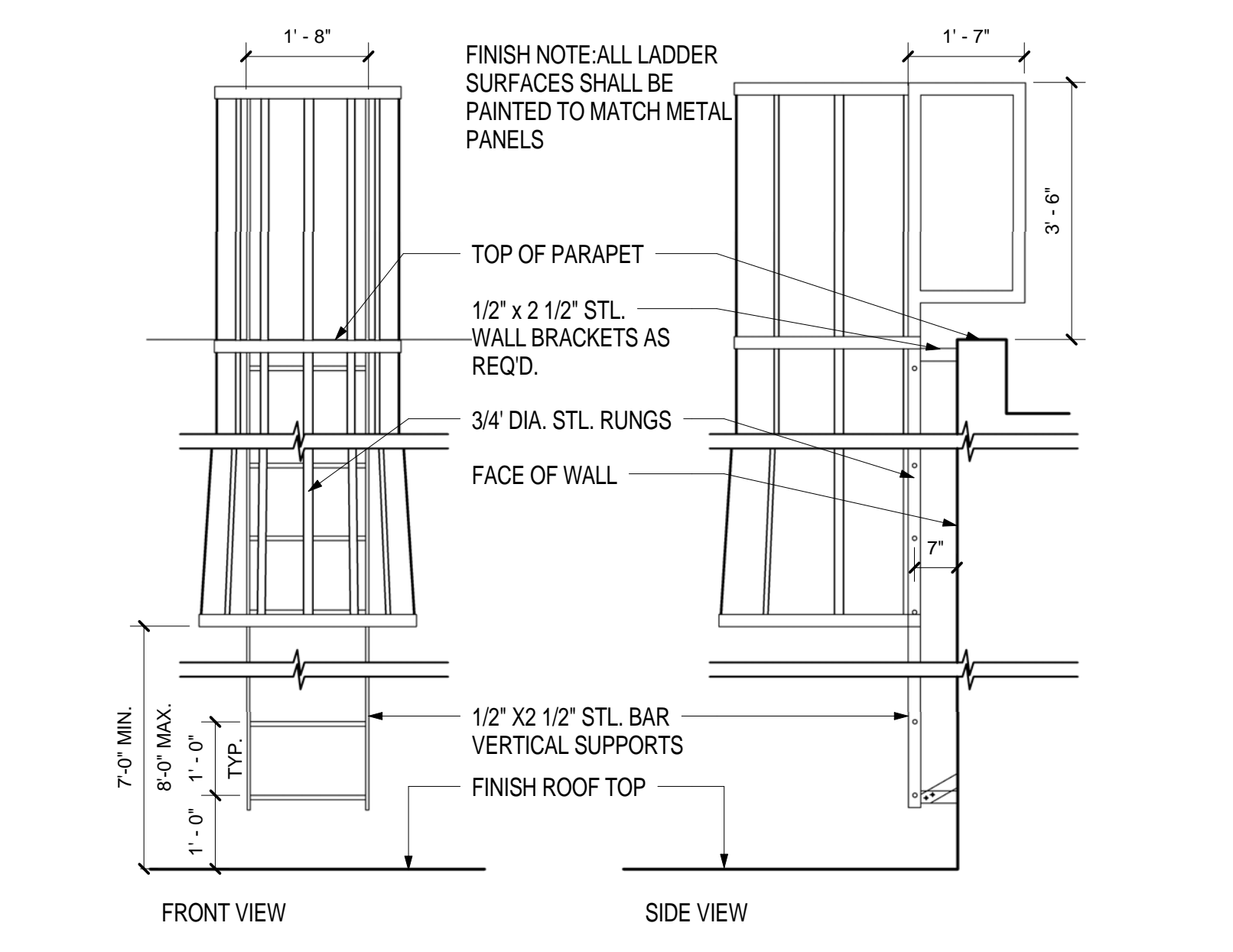
7 ROOF SCUTTLE DETAIL
SCALE: 3" = 1'-0"



ROOF CURB AT GOOSE NECK DUCT
SCALE: 1 1/2" = 1'-0"



12 FALL ARREST EQUIP. DTL, TYP.
SCALE: 3" = 1'-0"



8 ROOF ACCESS LADDER
SCALE: 1/2" = 1'-0"

14 LIGHTNING PROTECTION AT MID ROOF
SCALE: 1 1/2" = 1'-0"

Date	Description
09/22/08	DESIGN DEVELOPMENT
12/03/08	75% CONSTRUCTION DOCUMENTS
01/23/09	95% CONSTRUCTION DOCUMENTS
10/26/09	ISSUED FOR PERMIT
145 09/01/11	ISSUED FOR CONSTRUCTION

Seal/Signature

Project Name
PWM Terminal Enhancement

Project Number
09.6395.000

Description
TYPICAL ROOF DETAILS

Scale
As indicated

A12.50