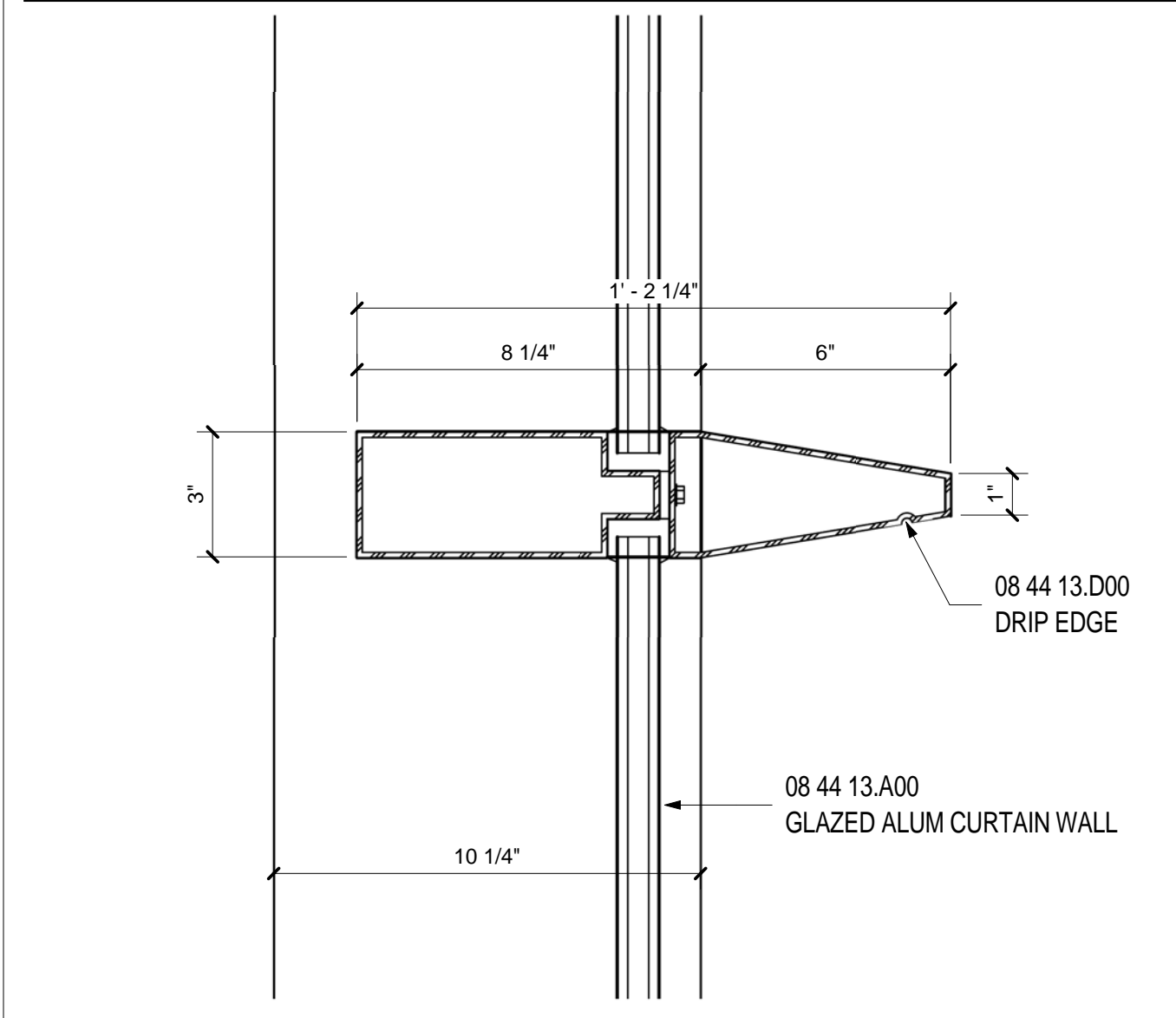
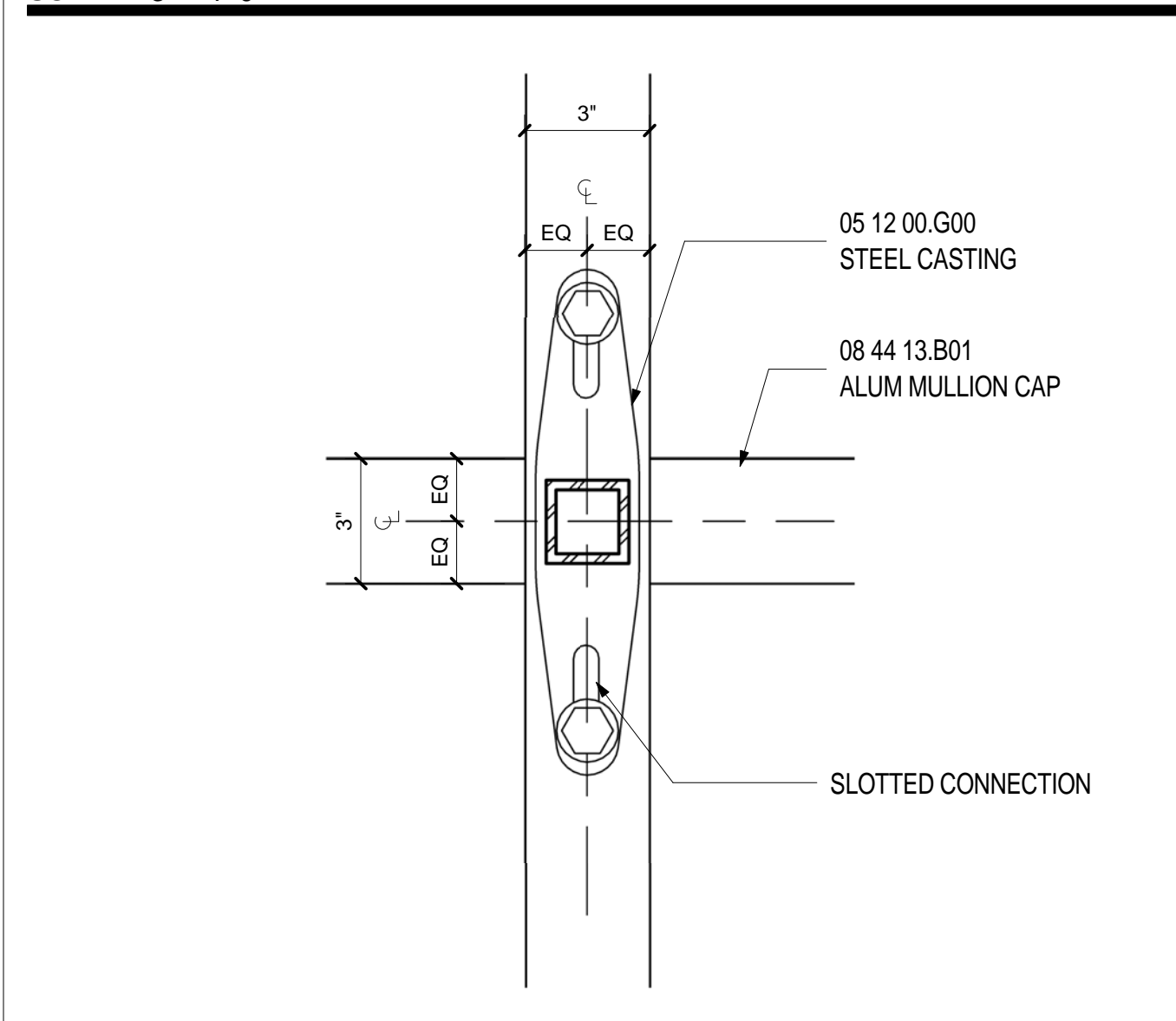


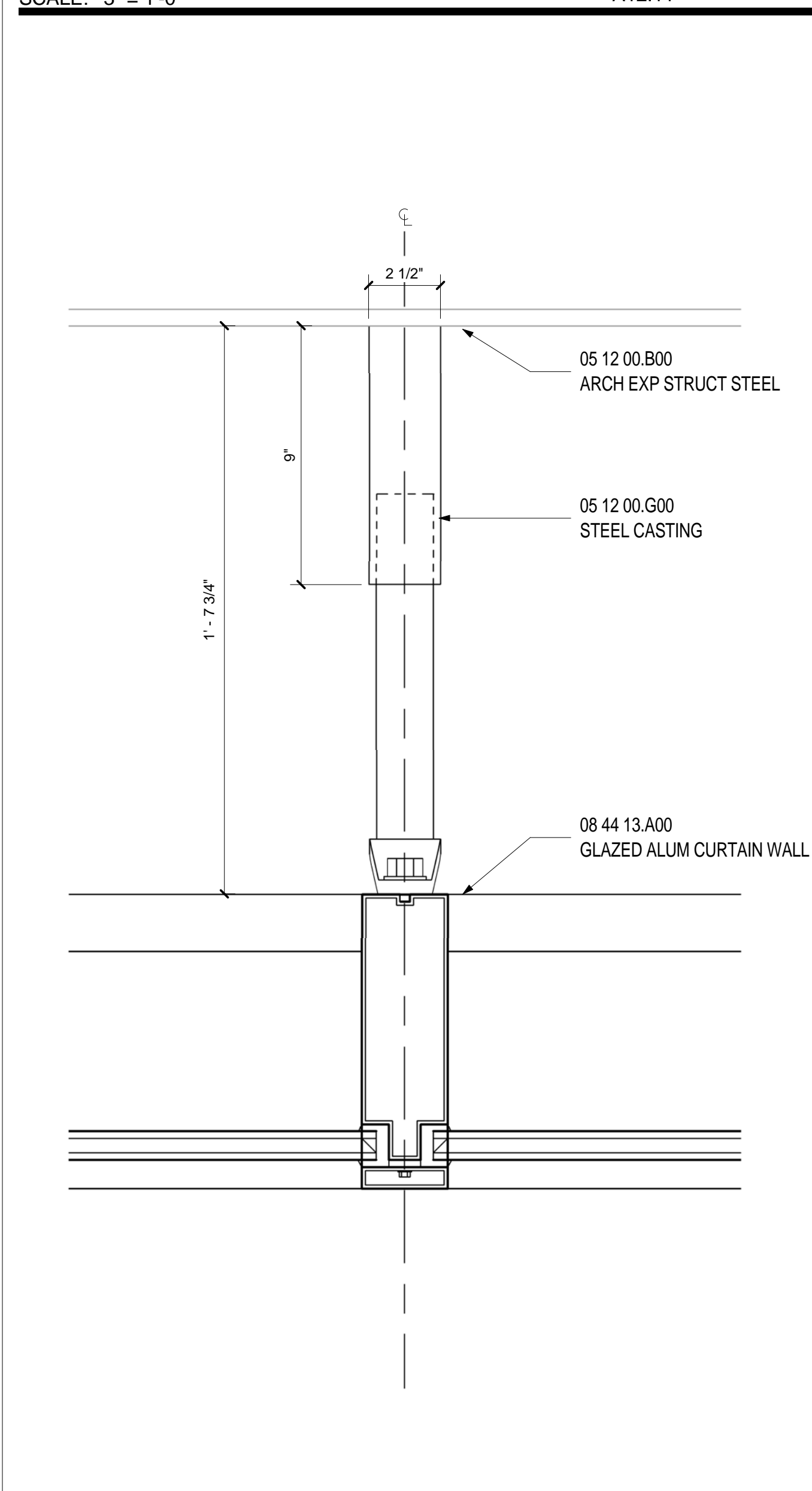
DETAIL AT MULLION
SCALE: 3" = 1'-0"
A09.30 11



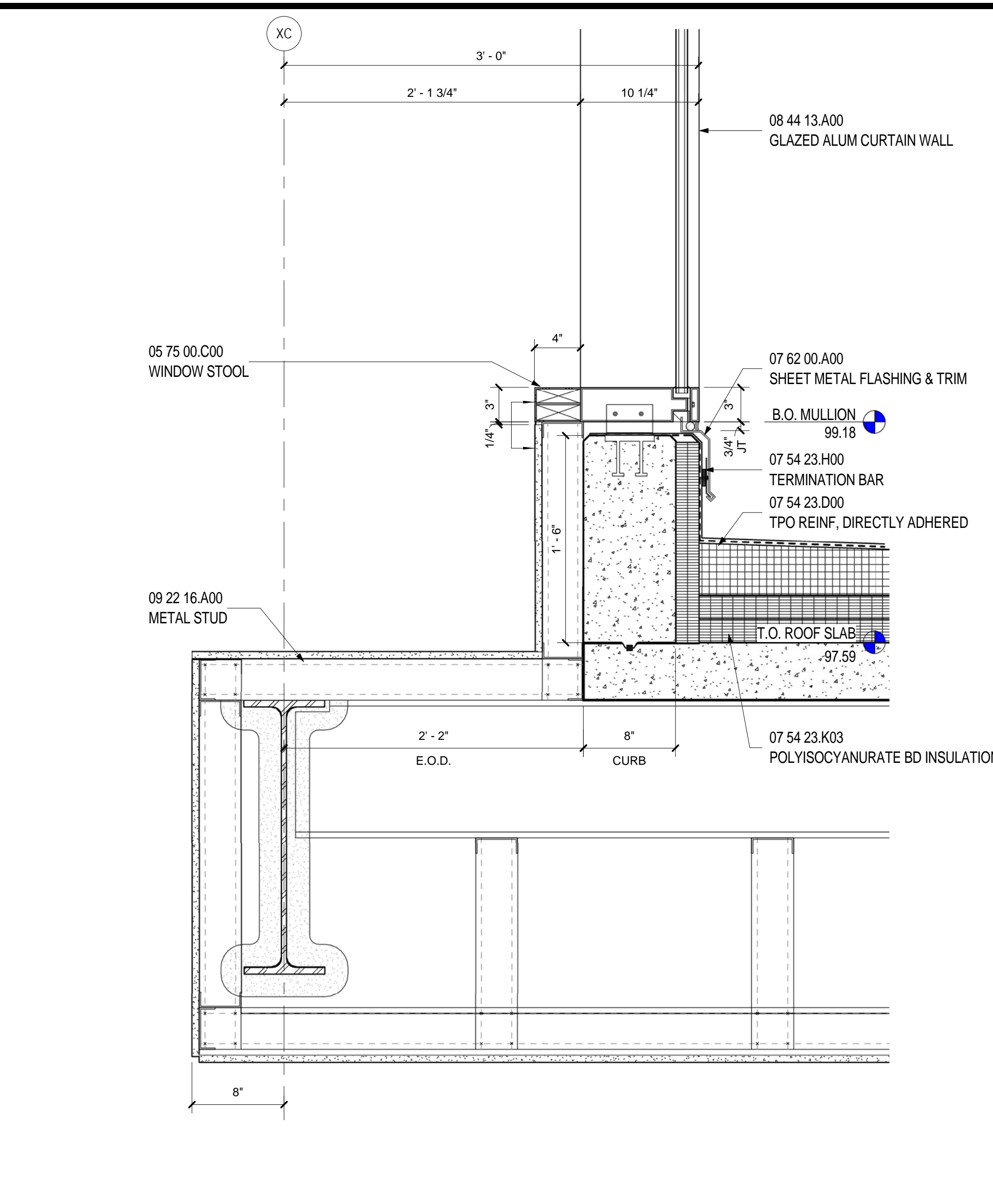
DETAIL AT MULLION EXTENSION
SCALE: 3" = 1'-0"
A09.33 12



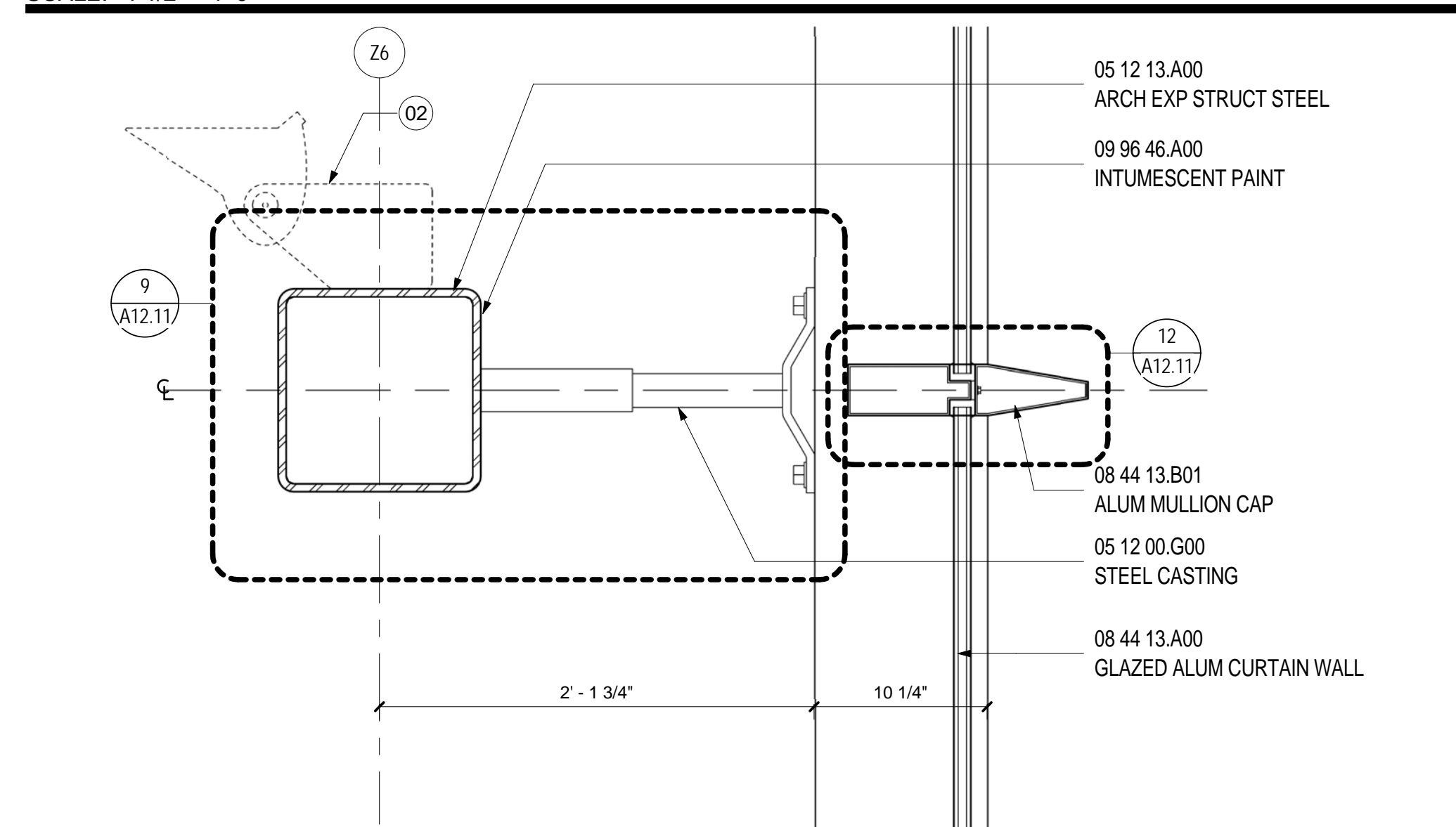
DETAIL B AT WINDGIRT
SCALE: 3" = 1'-0"
A12.11 13



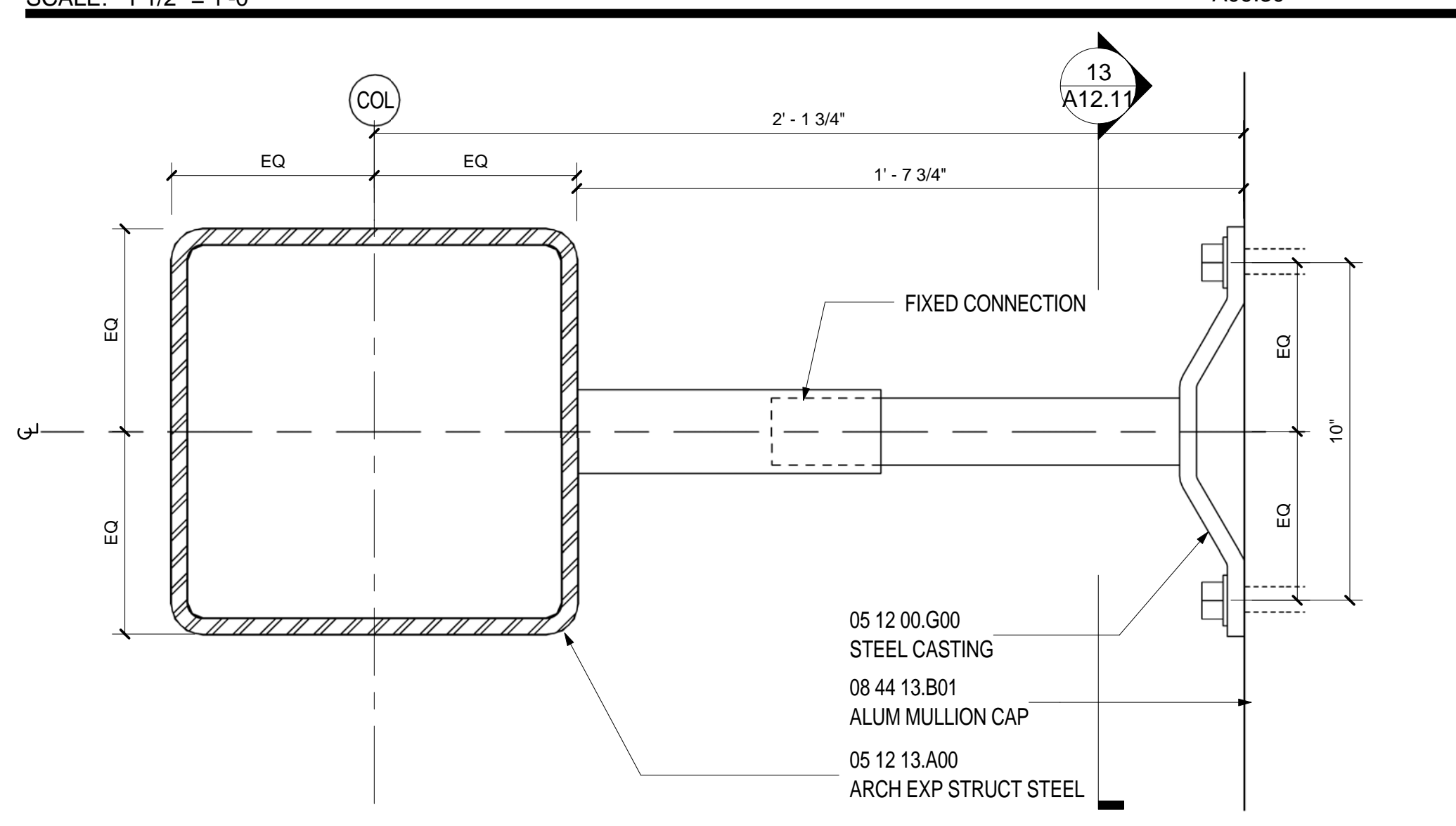
PLAN DTL VERTICAL MULLION AT GIRT
SCALE: 3" = 1'-0"
A09.30 14



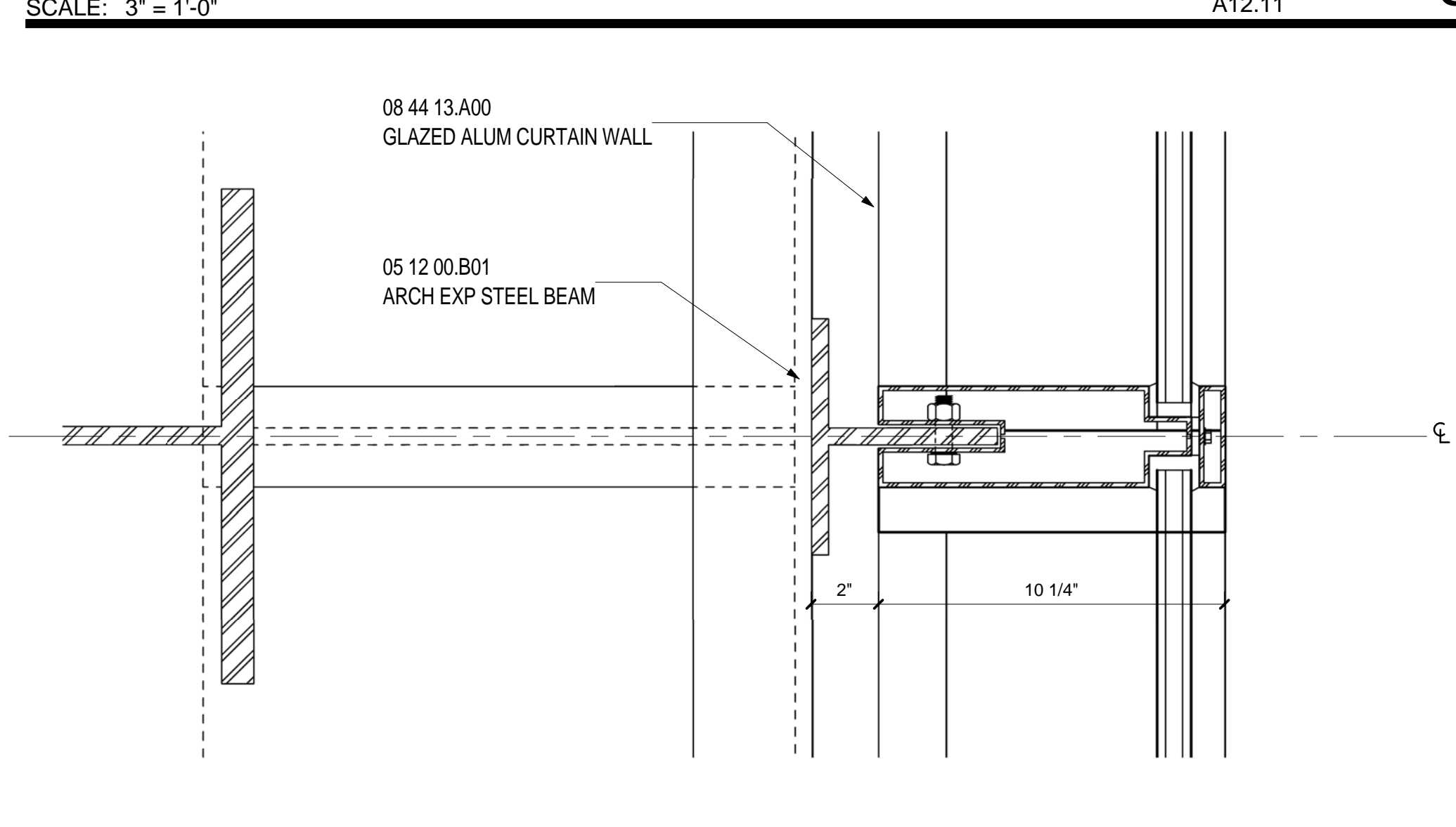
SECTION AT LVL 5 GARAGE LINK ROOF
SCALE: 1 1/2" = 1'-0"
A09.22 7



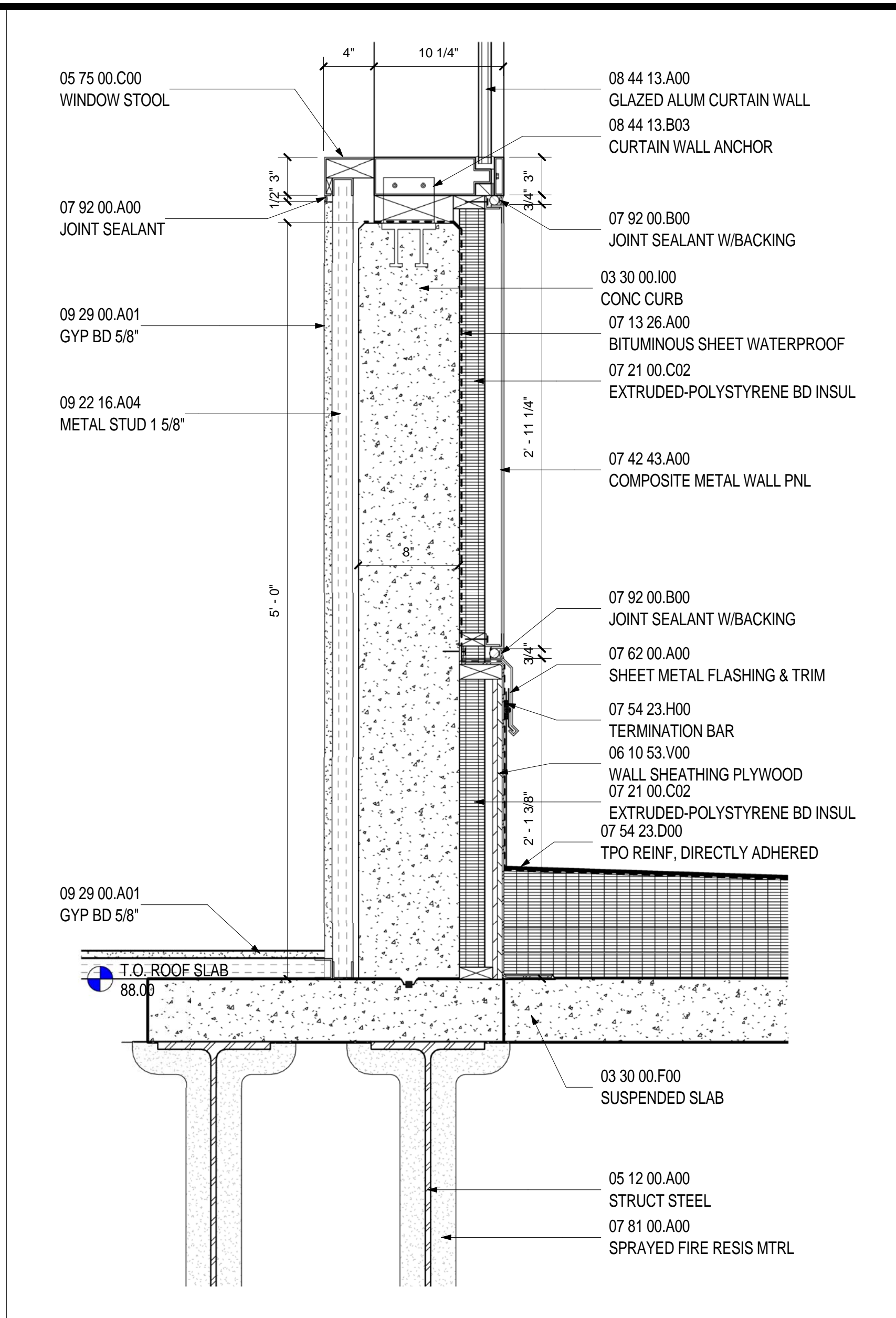
SECTION AT WIND GIRT
SCALE: 1 1/2" = 1'-0"
A09.30 8



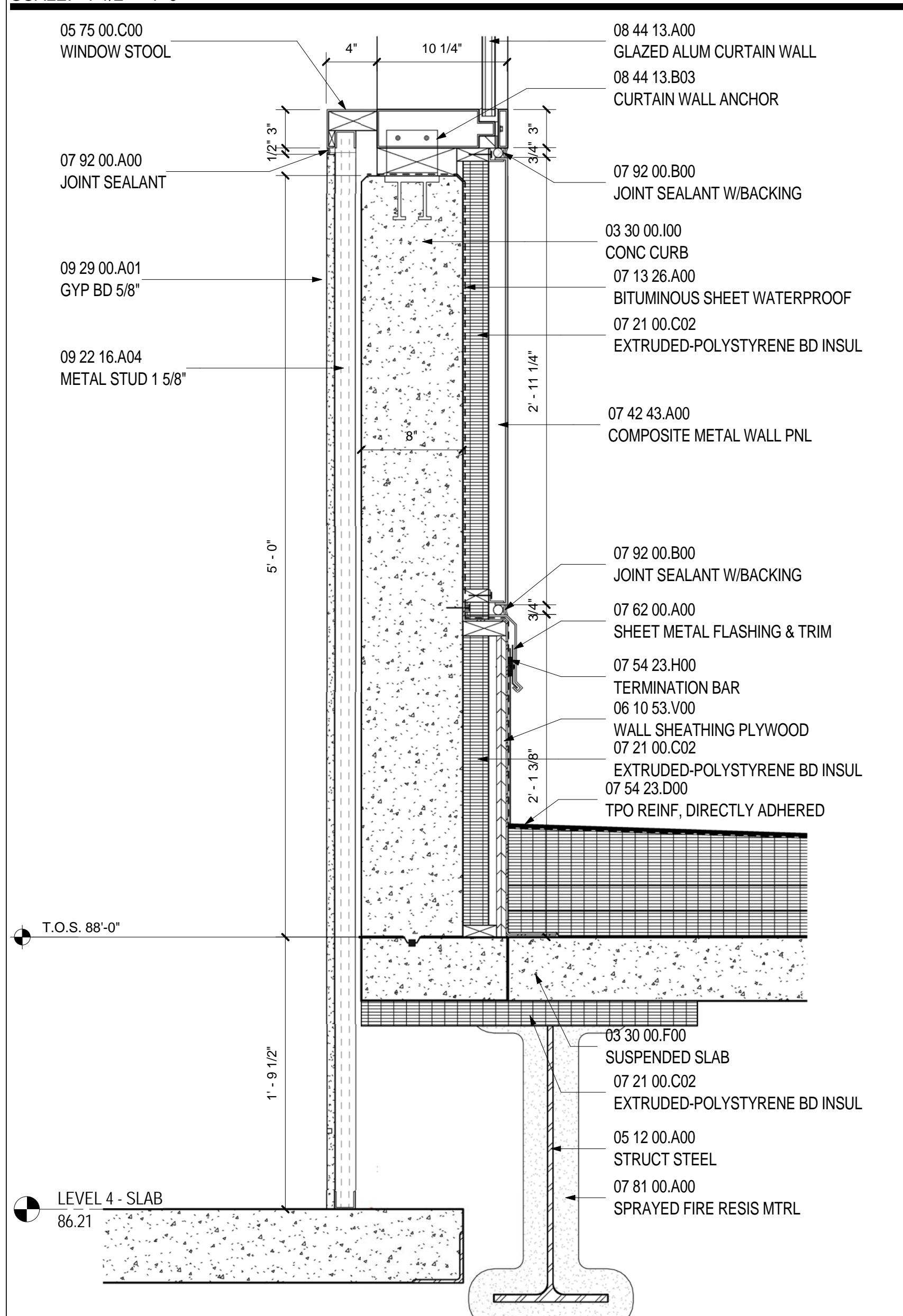
DETAIL A AT WIND GIRT
SCALE: 3" = 1'-0"
A12.11 9



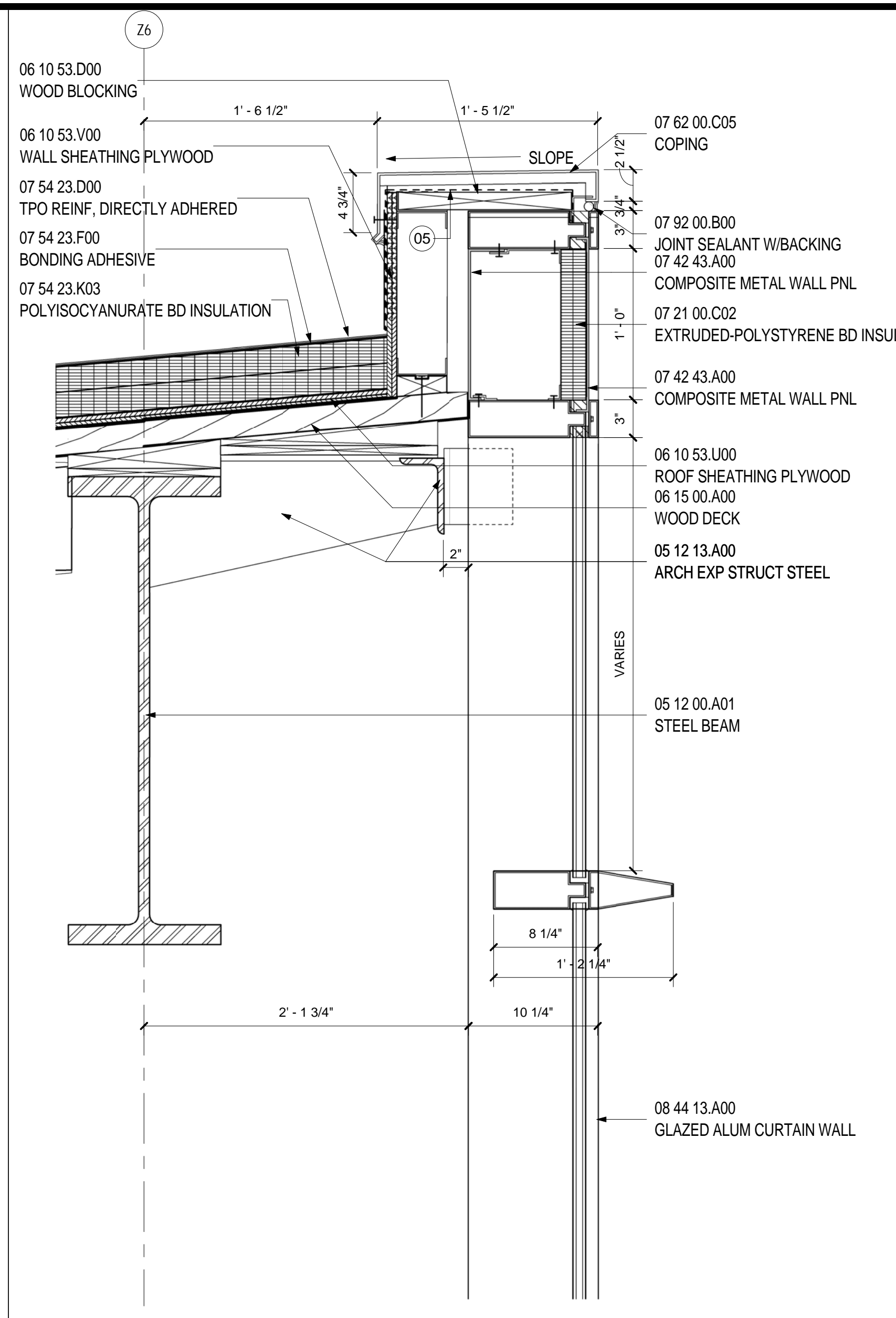
DETAIL PLAN - CURTAIN WALL ANCHOR
SCALE: 3" = 1'-0"
A12.13 10



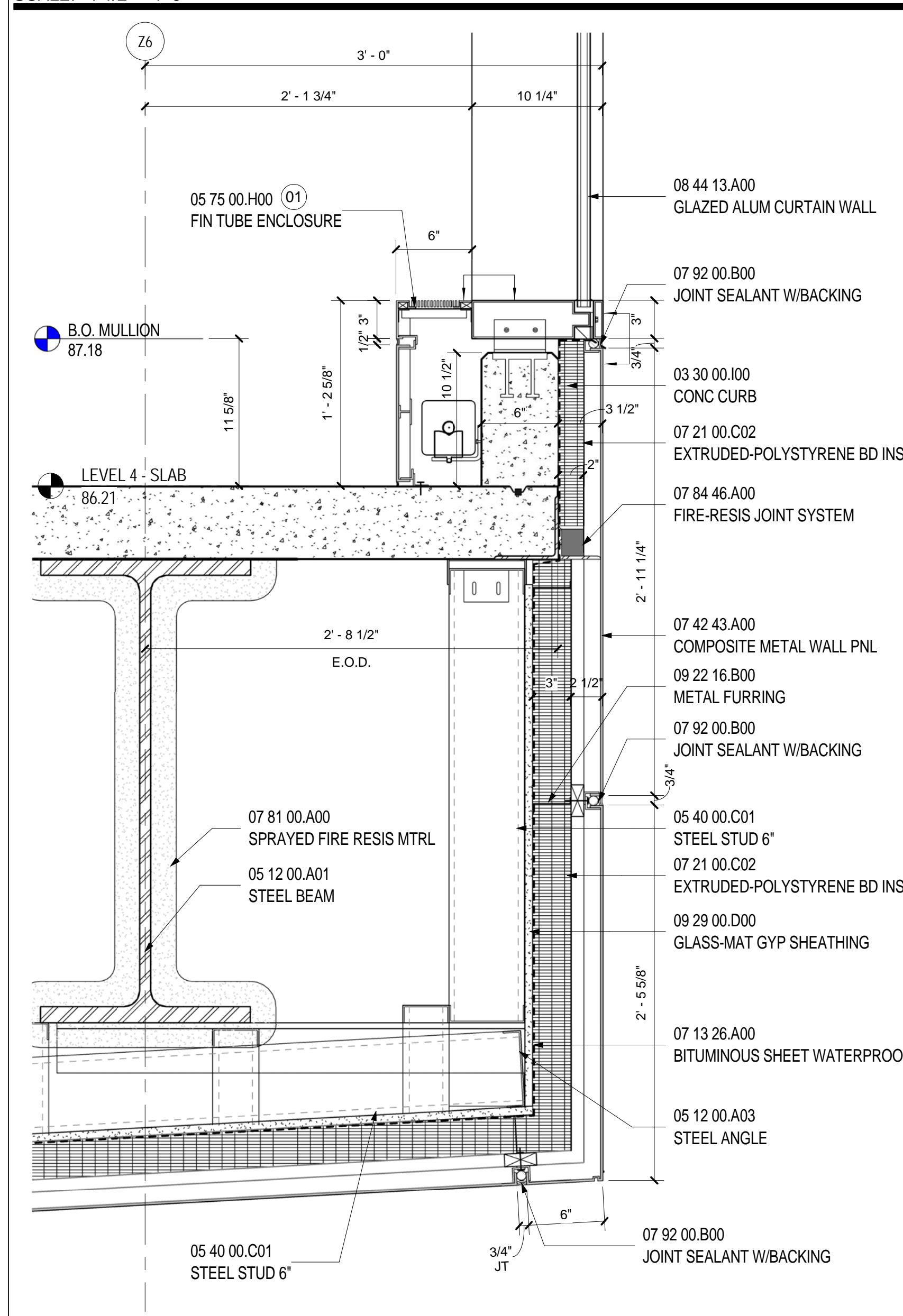
SECTION A AT LOW ROOF
SCALE: 1 1/2" = 1'-0"
A09.31 4



SECTION B AT LOW ROOF
SCALE: 1 1/2" = 1'-0"
A09.33 5



SECTION A AT WALL TYPE B PARAPET
SCALE: 1 1/2" = 1'-0"
A09.22 1



SECTION AT CW BASE
SCALE: 1 1/2" = 1'-0"
A04.03.02 2

SHEET NOTES

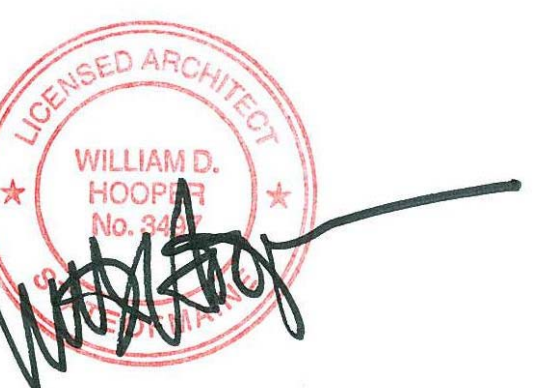
- 01 FIN TUBE ENCLOSURE. RE. MECHANICAL DRAWINGS FOR FIN TUBE INFORMATION.
- 02 SCHEDULED LIGHT FIXTURE
- 03 WRAP SELF ADHERING SHEET WATERPROOFING OVER TOP OF SUBSTRATE.
- 04 LAP SELF-ADHERING SHEET WATERPROOFING 8" MIN OVER TPO MEMBRANE ROOFING
- 05 WRAP TPO MEMBRANE ROOFING OVER BLOCKING UNDER COPING.
- 06 PROVIDE VAPOR BARRIER UNDER ALL SLABS ON GRADE. RE. STRUCTURAL DRAWINGS FOR MORE INFORMATION.
- 07 PROVIDE 2" RIGID INSULATION UNDER ALL SLABS ON GRADE.
- 08 STOP INSULATION, GYPSUM SHEATHING AND WATERPROOFING AT TOP OF CURB FOR REMOVABLE PANELS
- 09 WRAP WATERPROOFING INTO FRAMED AREA OF REMOVABLE PANELS
- 10 REMOVABLE "KNOCK OUT" METAL WALL PANELS. RE. ELEVATION 4/A09.03 FOR EXTENT.
- 11 BRACE AS REQUIRED
- 12 SIGN ANCHOR PENETRATION. RE. A07.12.06 FOR MORE INFORMATION.

Portland International
Jetport
1001 Westbrook Street
Portland, Maine 04102

Gensler
2020 K Street, Northwest
Suite 200
Washington DC 20006
Telephone 202.721.5200
Facsimile 202.872.8587

Date	Description
12/03/08	75% CONSTRUCTION DOCUMENTS
01/23/09	95% CONSTRUCTION DOCUMENTS
10/26/09	ISSUED FOR PERMIT
145 09/01/11	ISSUED FOR CONSTRUCTION

Seal/Signature



Project Name
PWM Terminal Enhancement

Project Number
09.6395.000

Description
SECTION DETAILS - WALL TYPE B

Scale
As indicated

A12.11

© 2009 Gensler