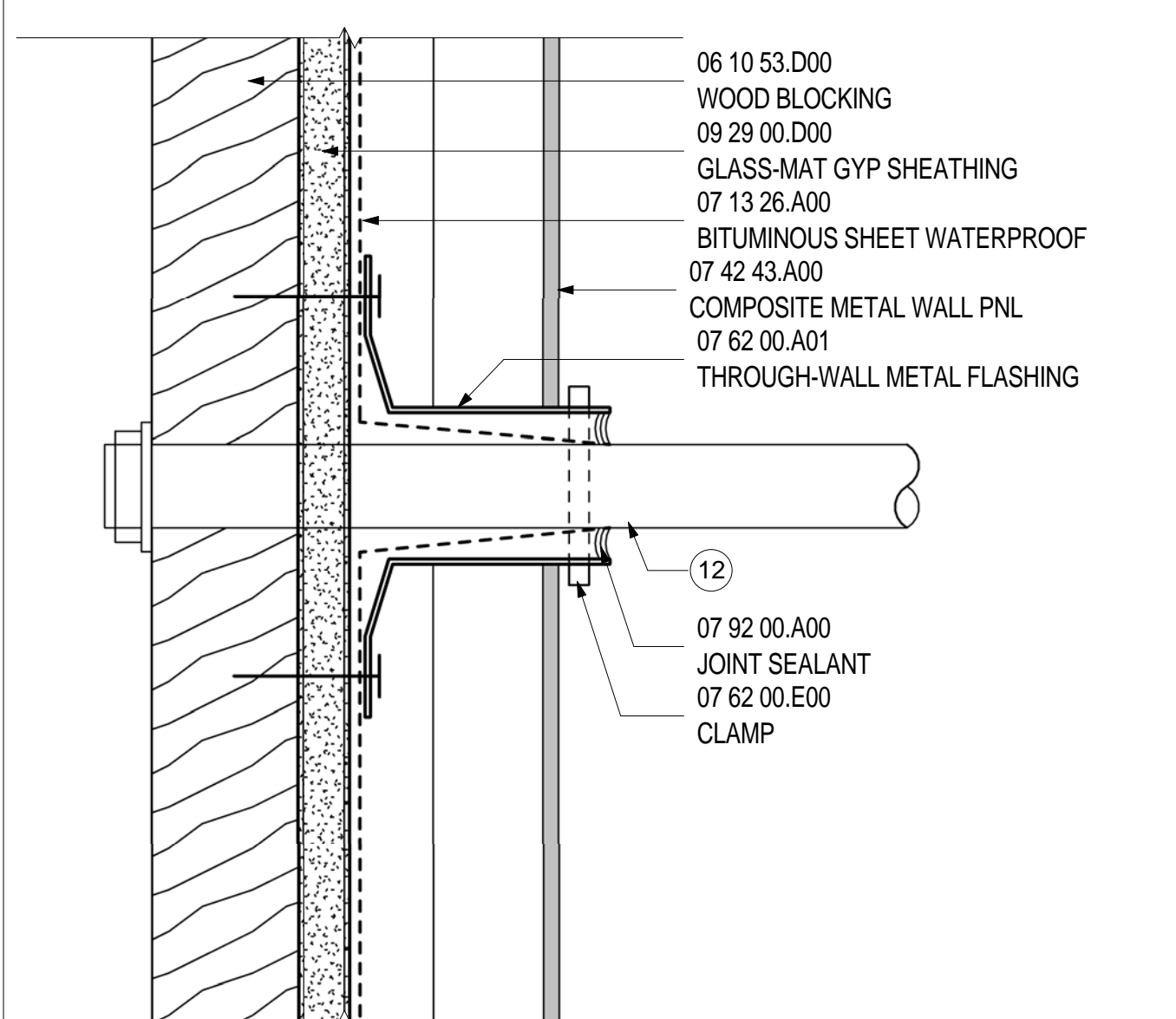
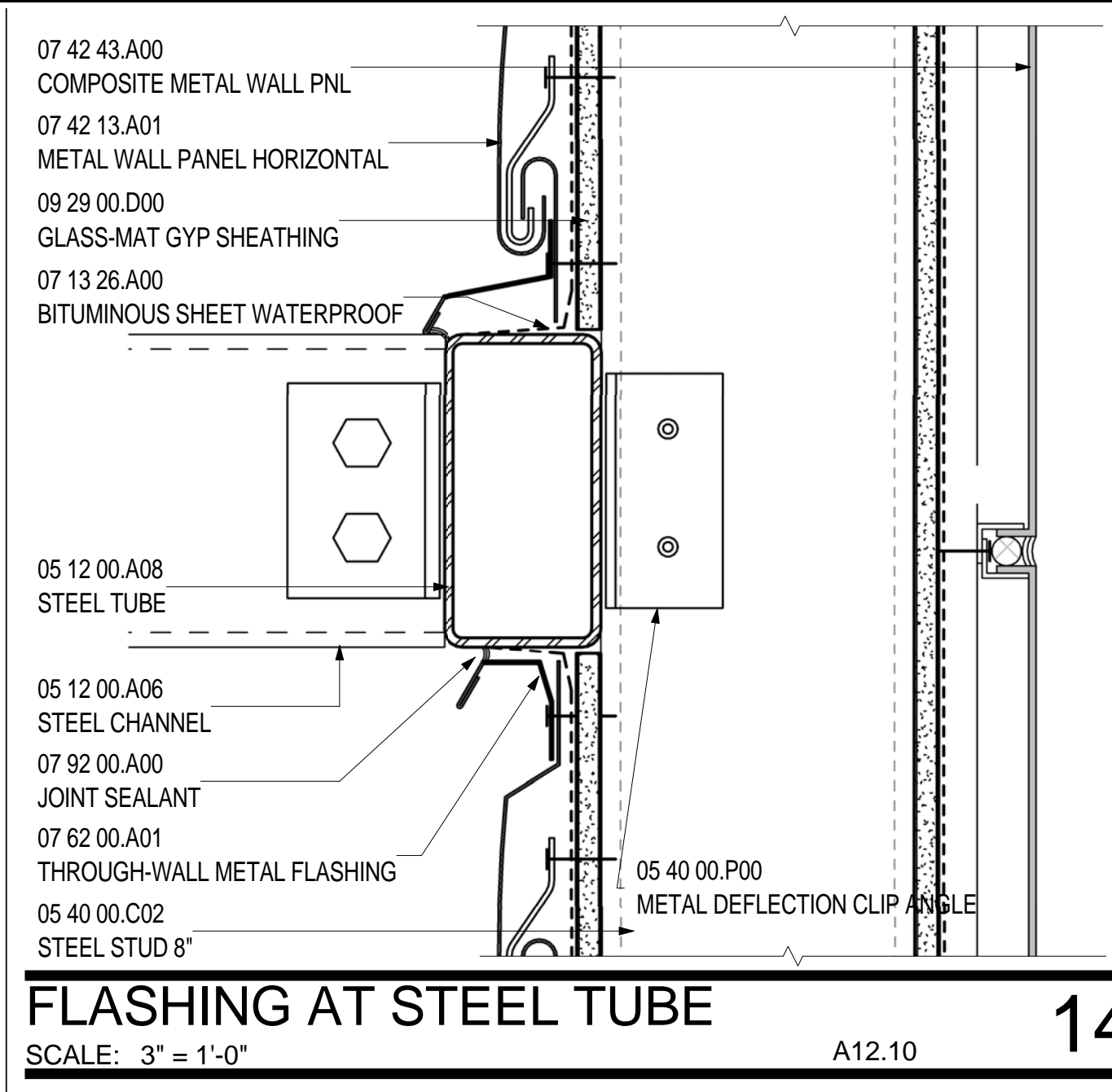


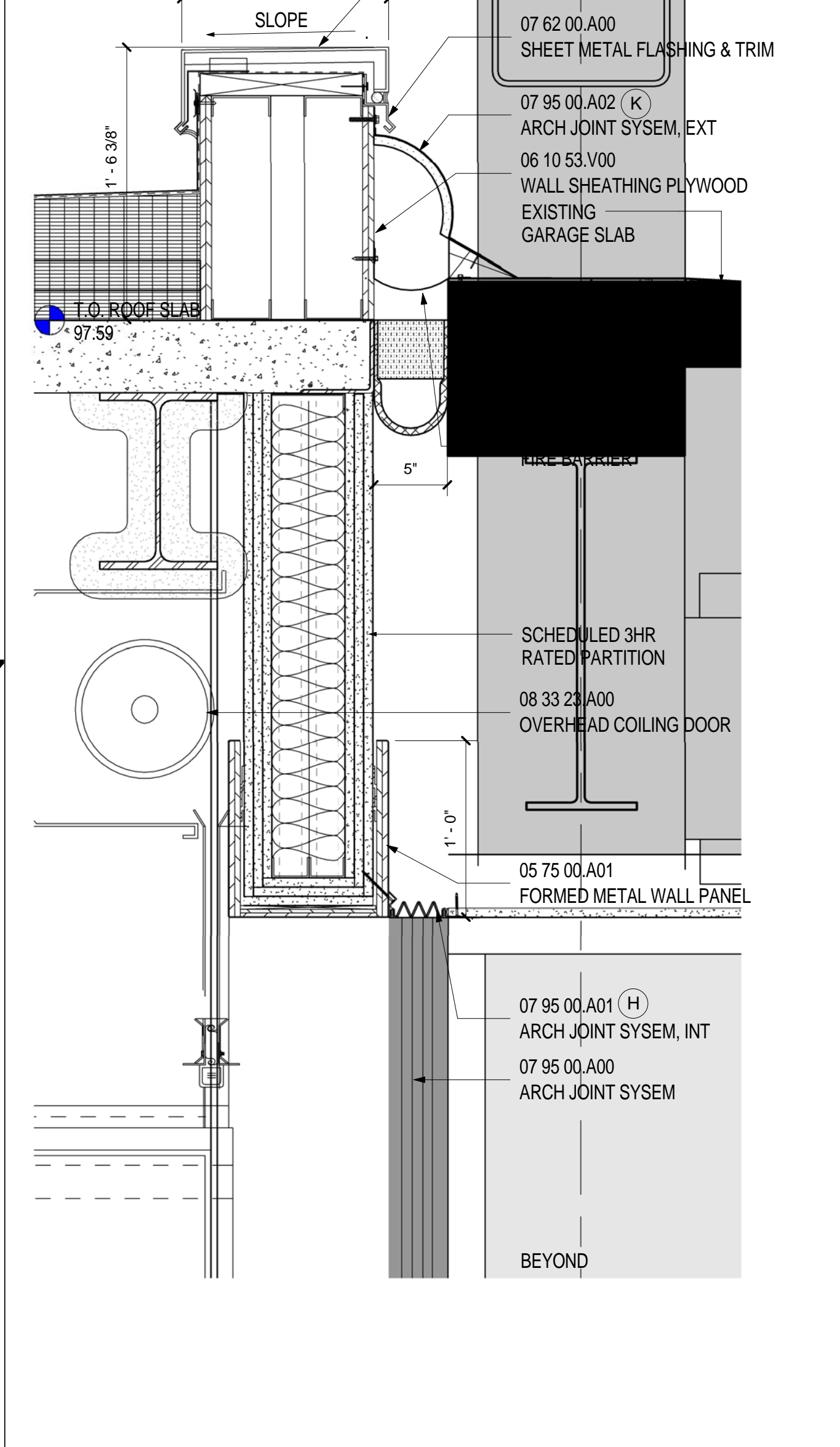
**GARAGE VESTIBULE SECTION**  
SCALE: 3" = 1'-0" A11.24 17



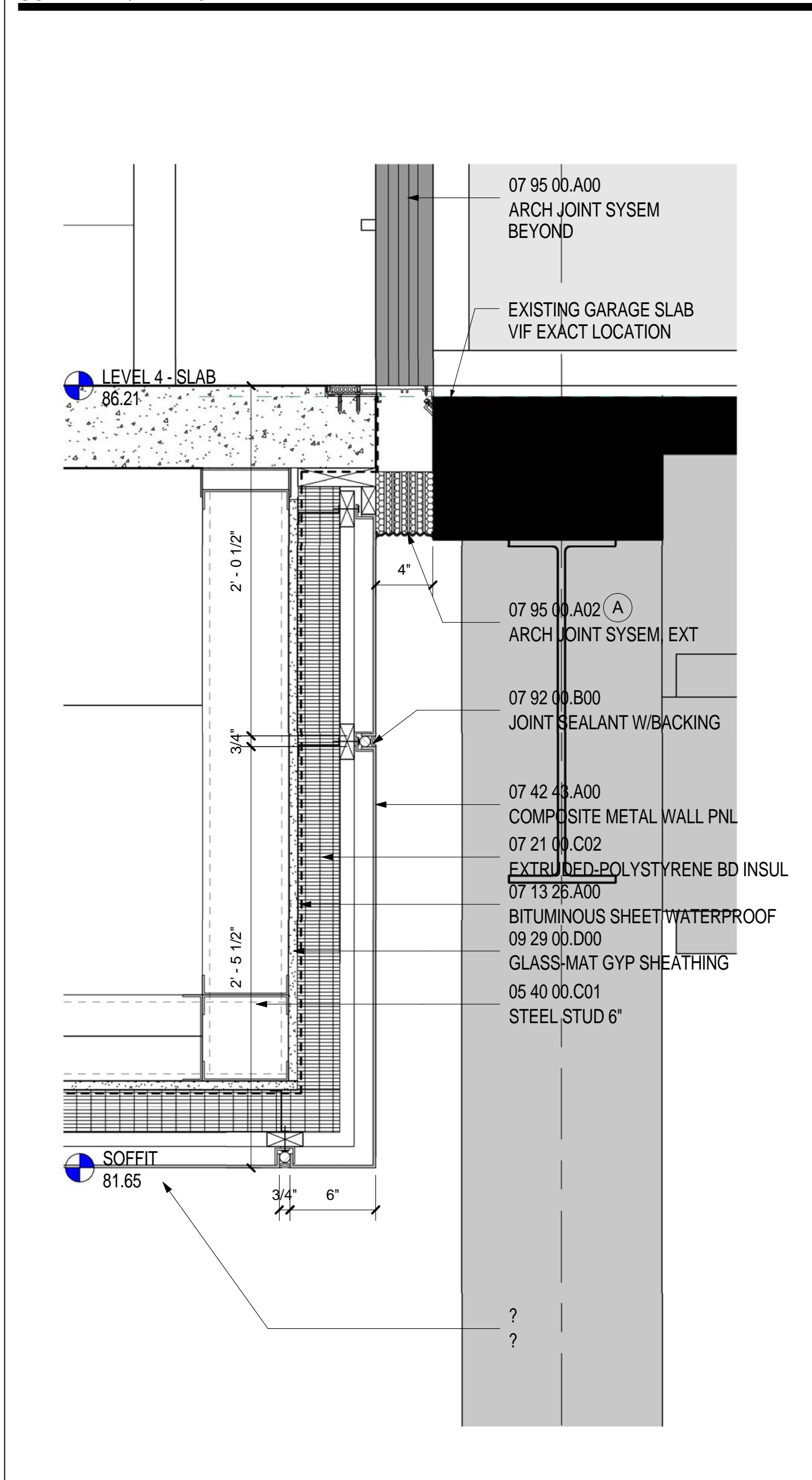
**FLASHING AT WALL PENETRATION**  
SCALE: 6" = 1'-0" A09.20 18



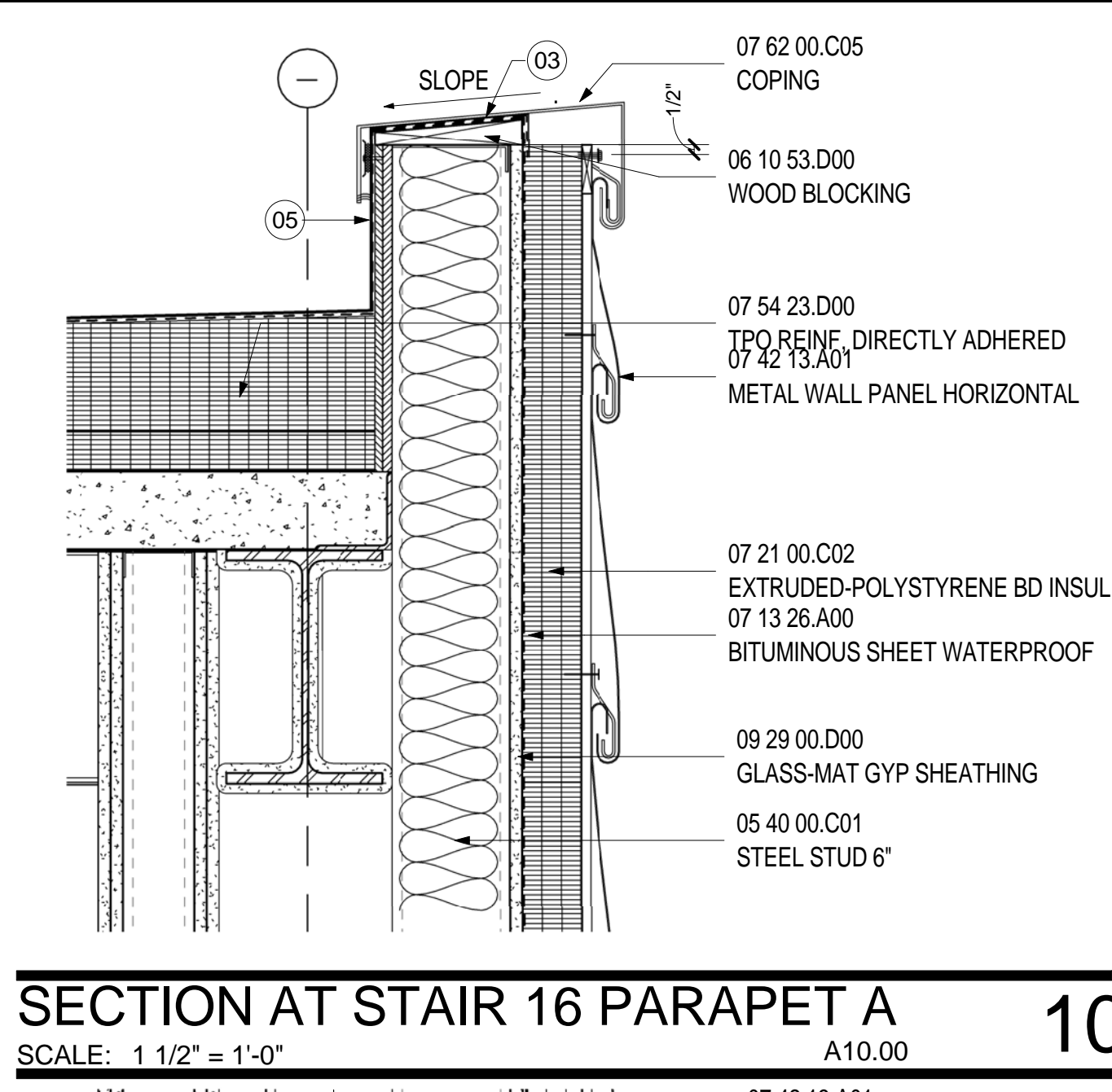
**FLASHING AT STEEL TUBE**  
SCALE: 3" = 1'-0" A12.10 14



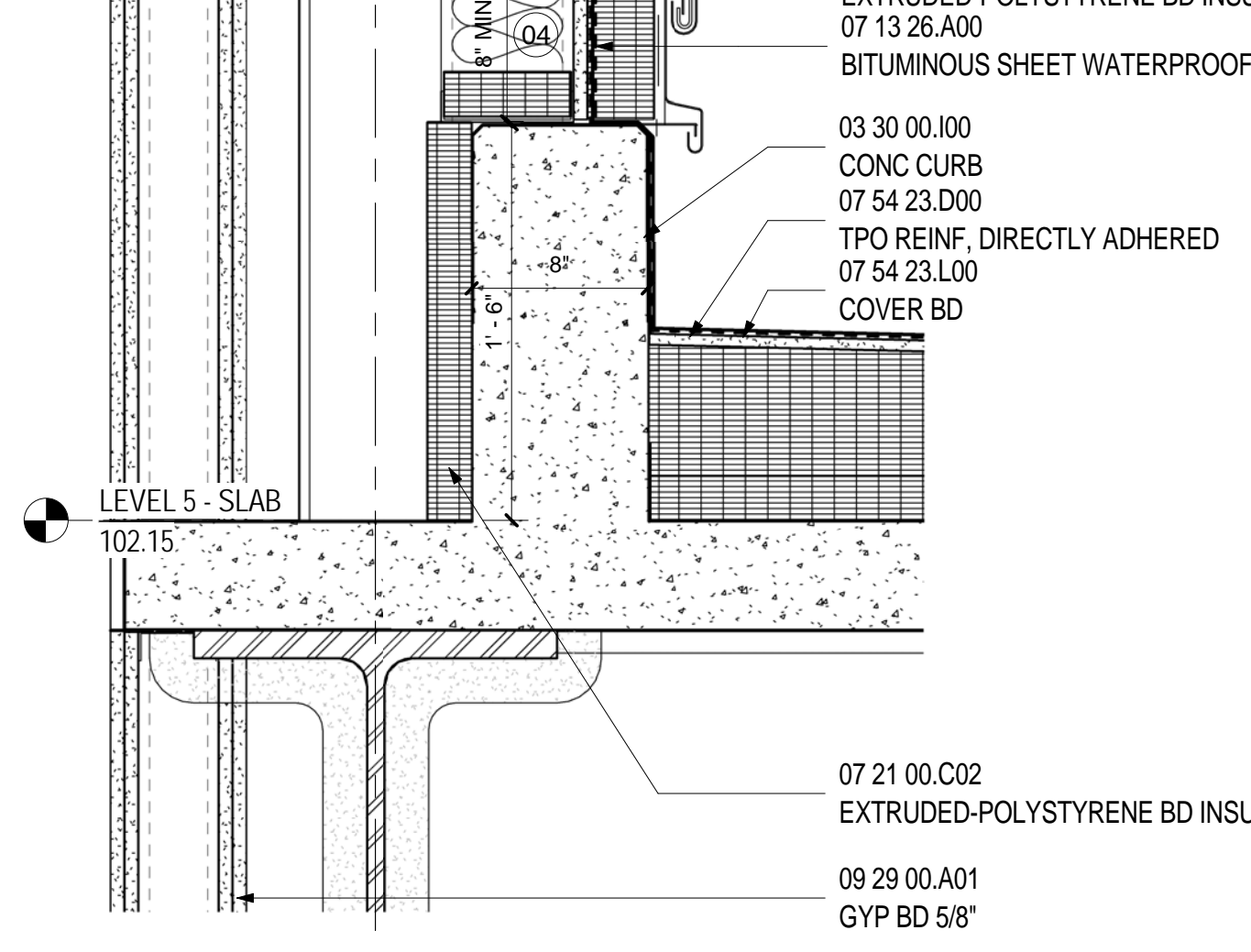
**SECTION AT GARAGE LINK PARAPET**  
SCALE: 1 1/2" = 1'-0" A09.23 15



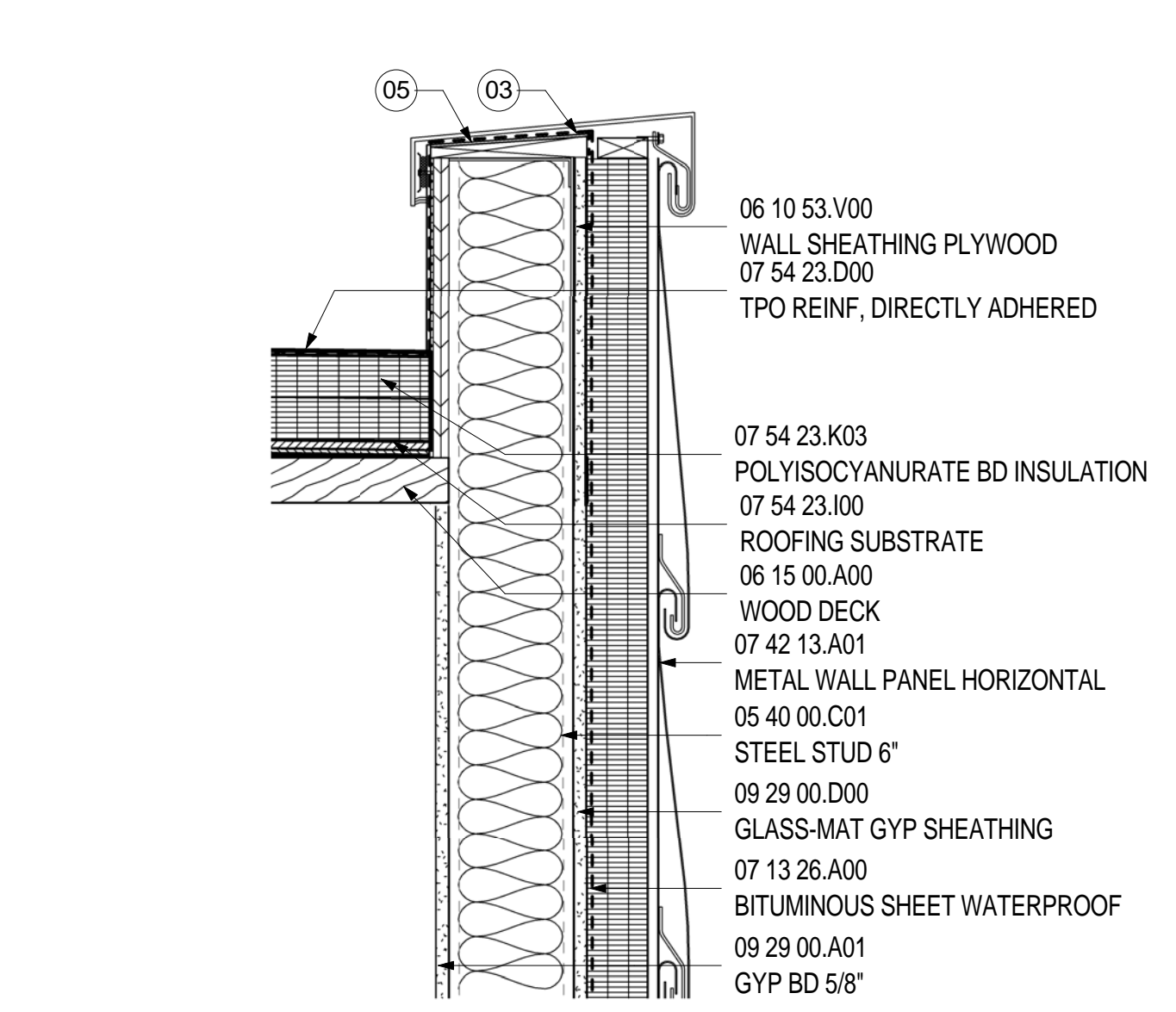
**GARAGE CONNECTOR**  
SCALE: 1 1/2" = 1'-0" A09.23 16



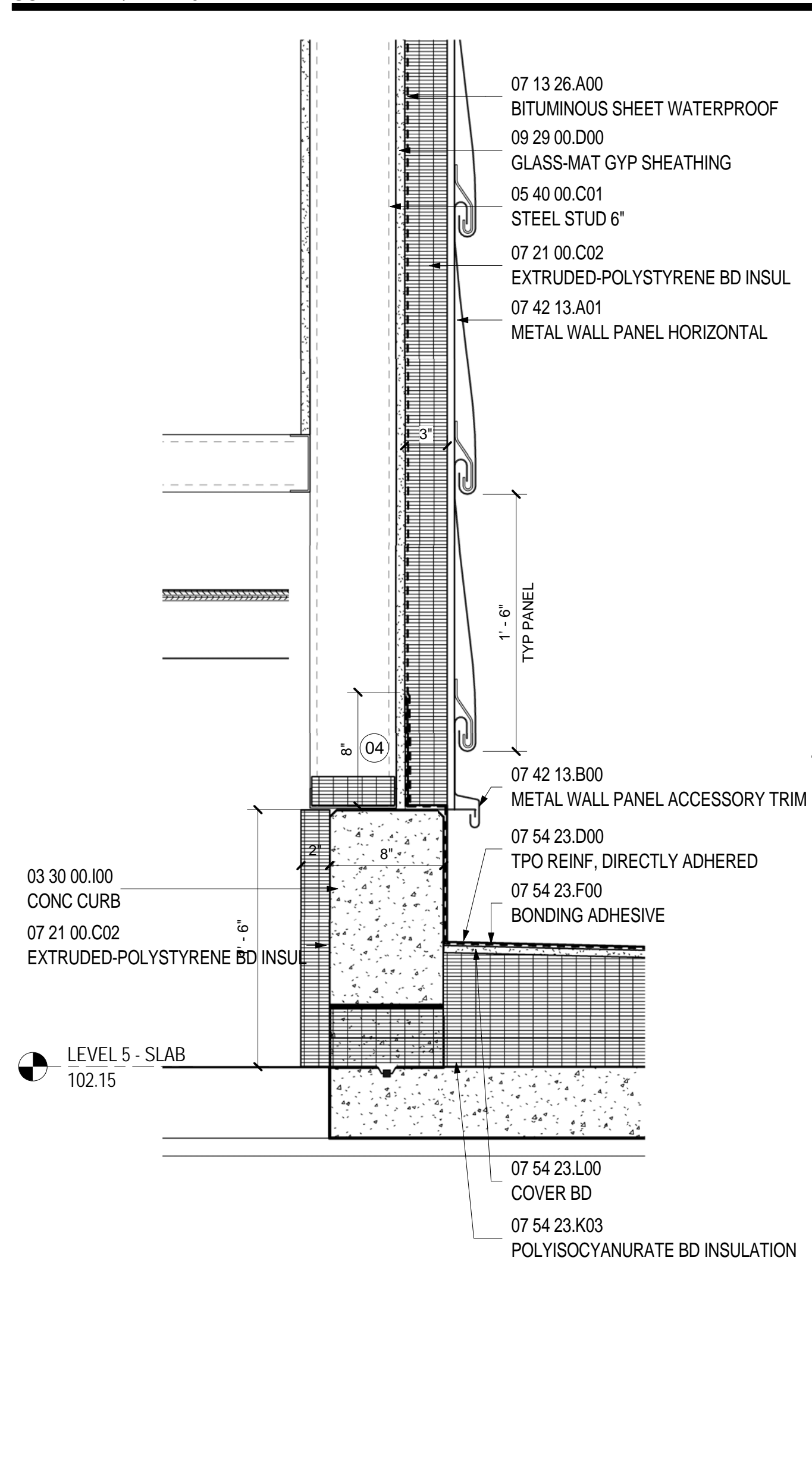
**SECTION AT STAIR 16 PARAPET A**  
SCALE: 1 1/2" = 1'-0" A10.00 10



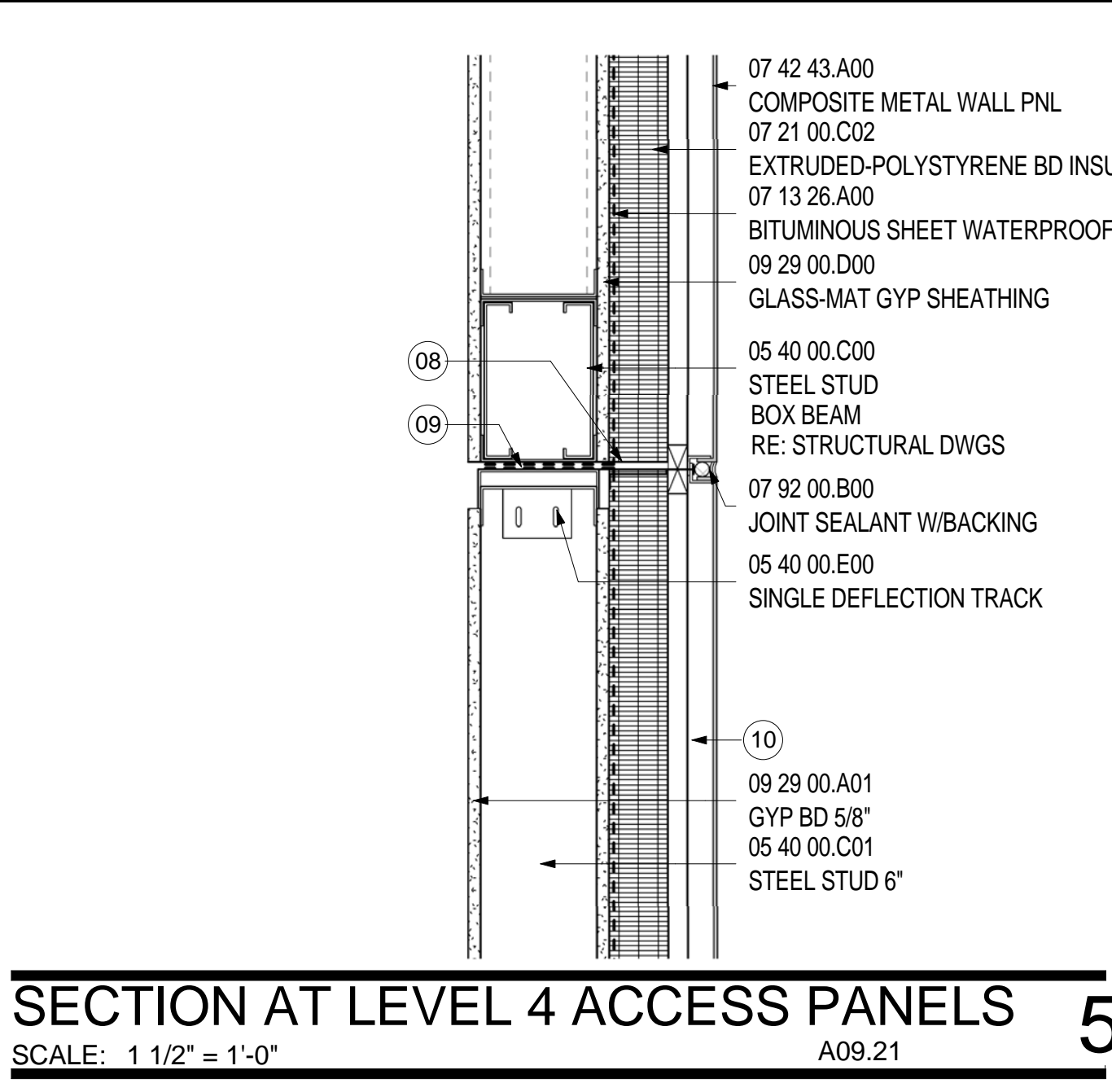
**SECTION 1 AT LEVEL 5 STAIR 16**  
SCALE: 1 1/2" = 1'-0" A10.00 11



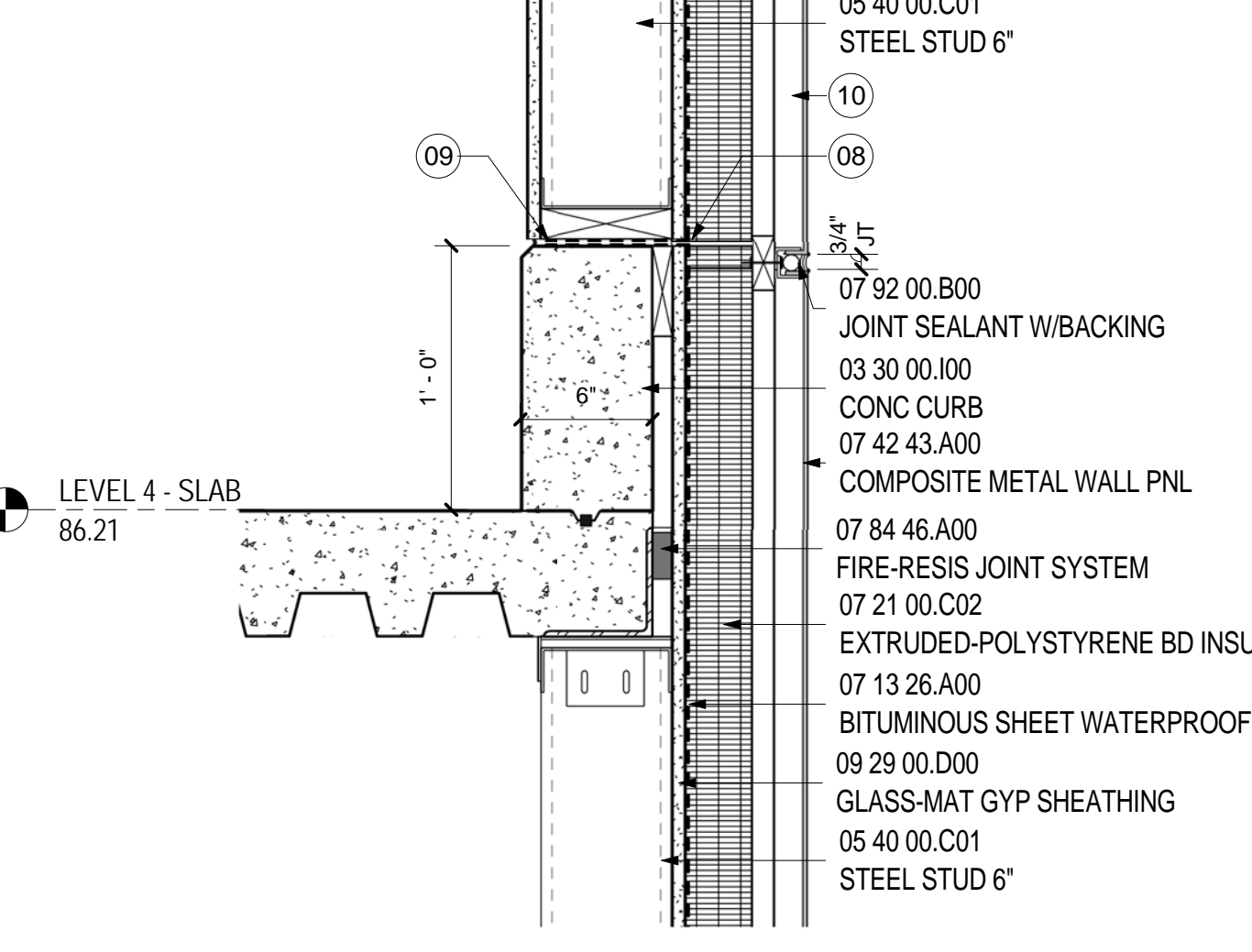
**SECTION AT PARAPET WOOD ROOF**  
SCALE: 1 1/2" = 1'-0" A09.24 12



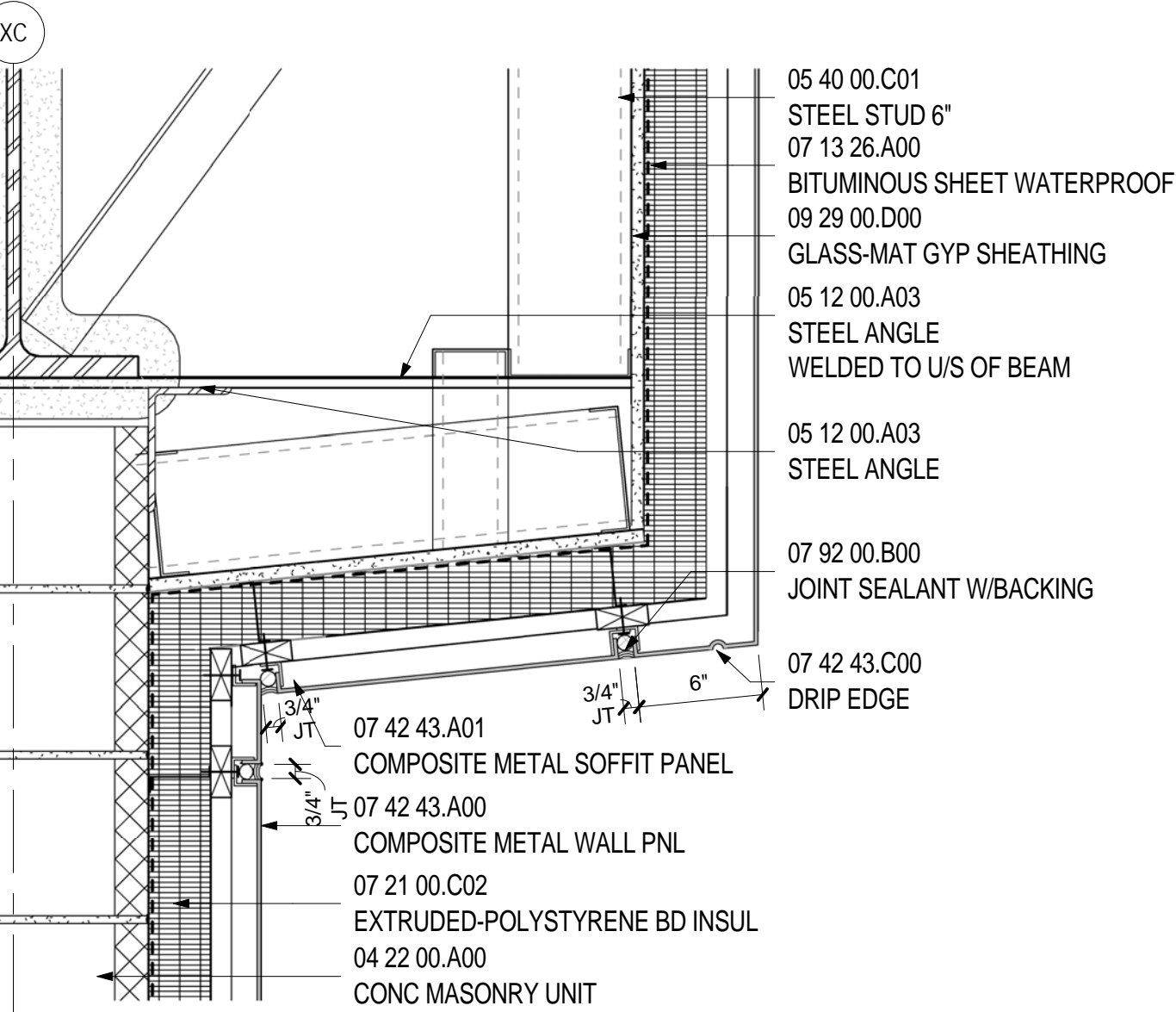
**SECTION AT LEVEL 5 STAIR 18**  
SCALE: 1 1/2" = 1'-0" A09.24 13



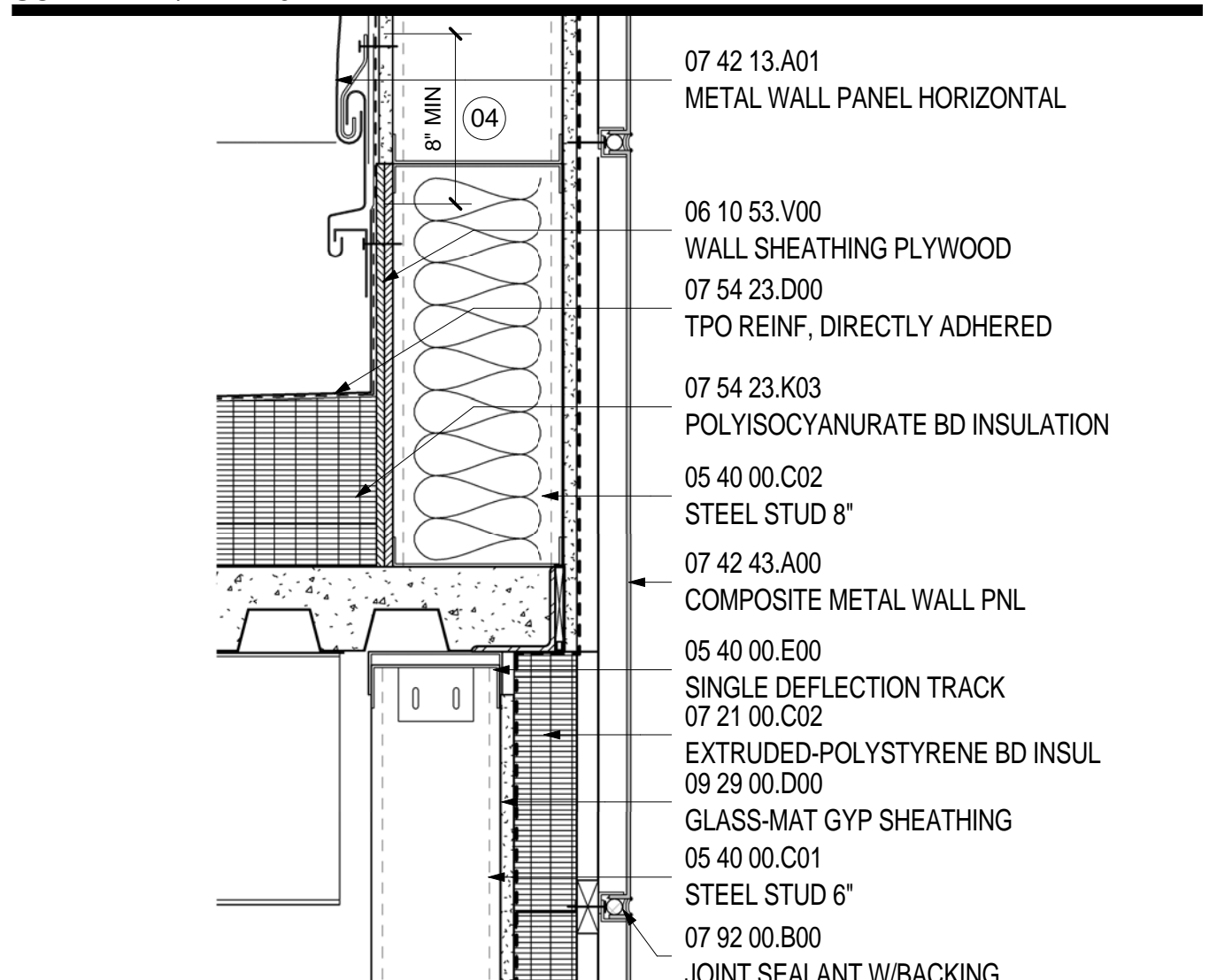
**SECTION AT LEVEL 4 ACCESS PANELS**  
SCALE: 1 1/2" = 1'-0" A09.21 5



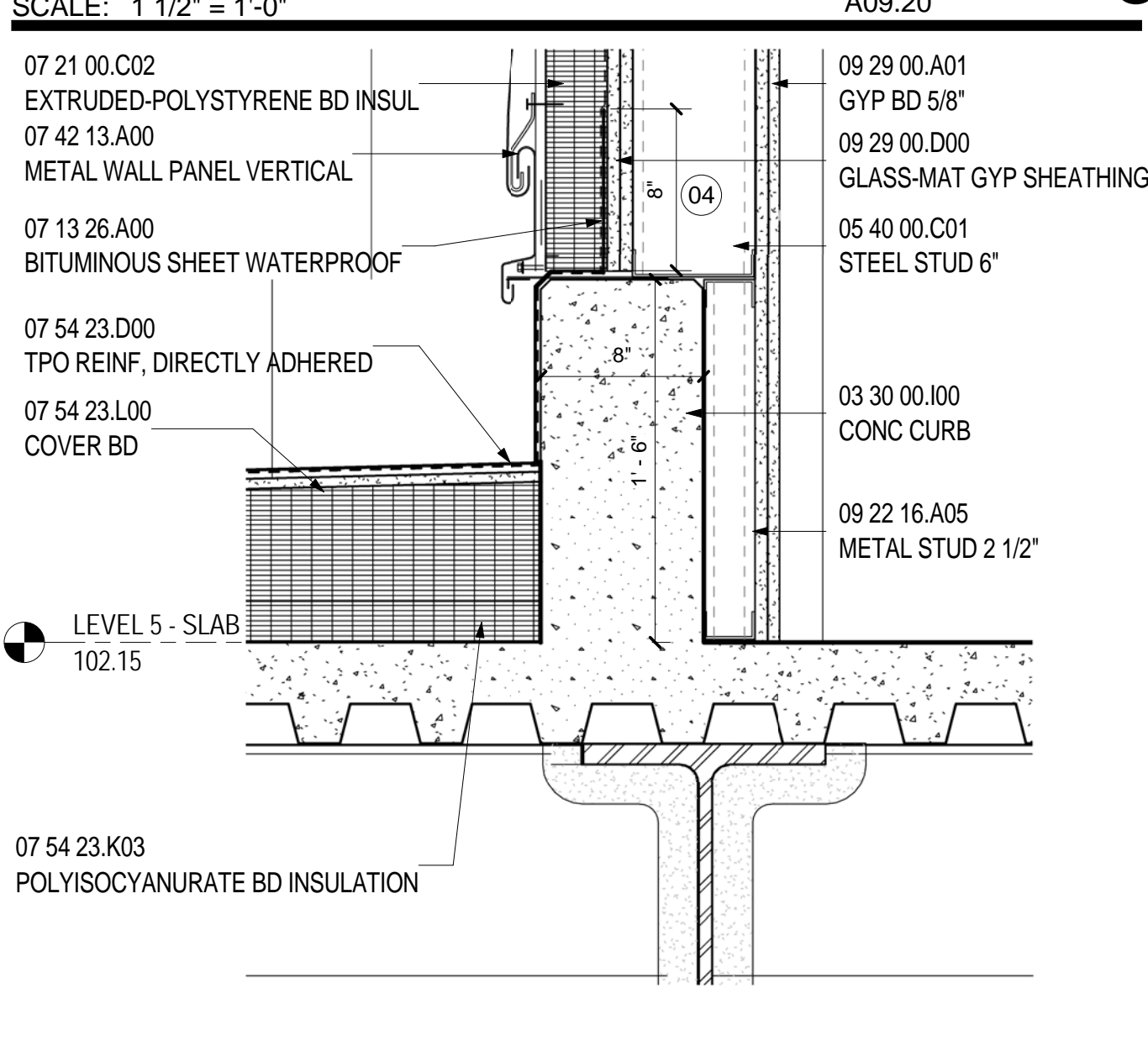
**SECTION AT LEVEL 4 ACCESS PANELS.**  
SCALE: 1 1/2" = 1'-0" A09.21 6



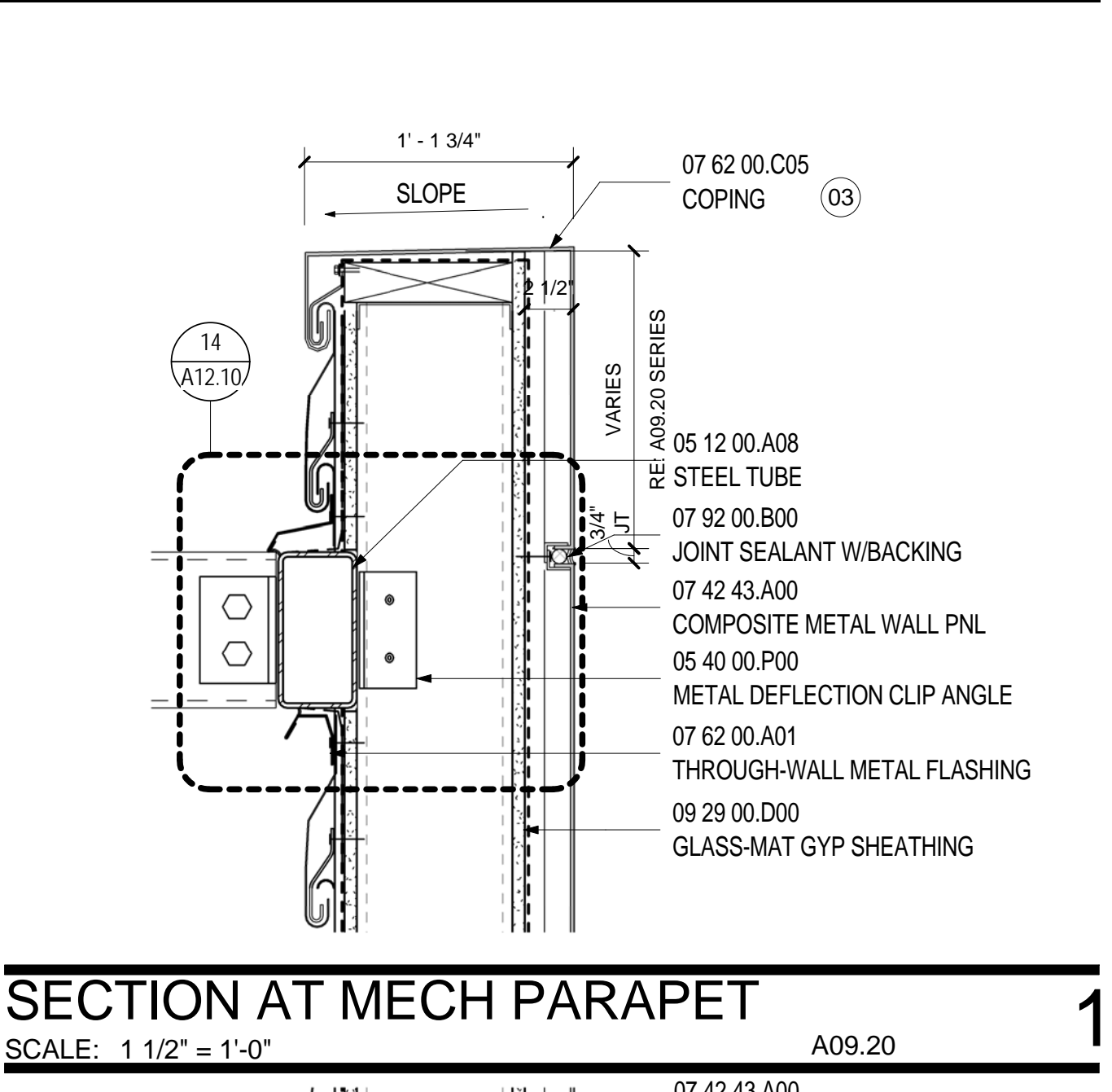
**SECTION 2 AT METAL SOFFIT**  
SCALE: 1 1/2" = 1'-0" A09.20 7



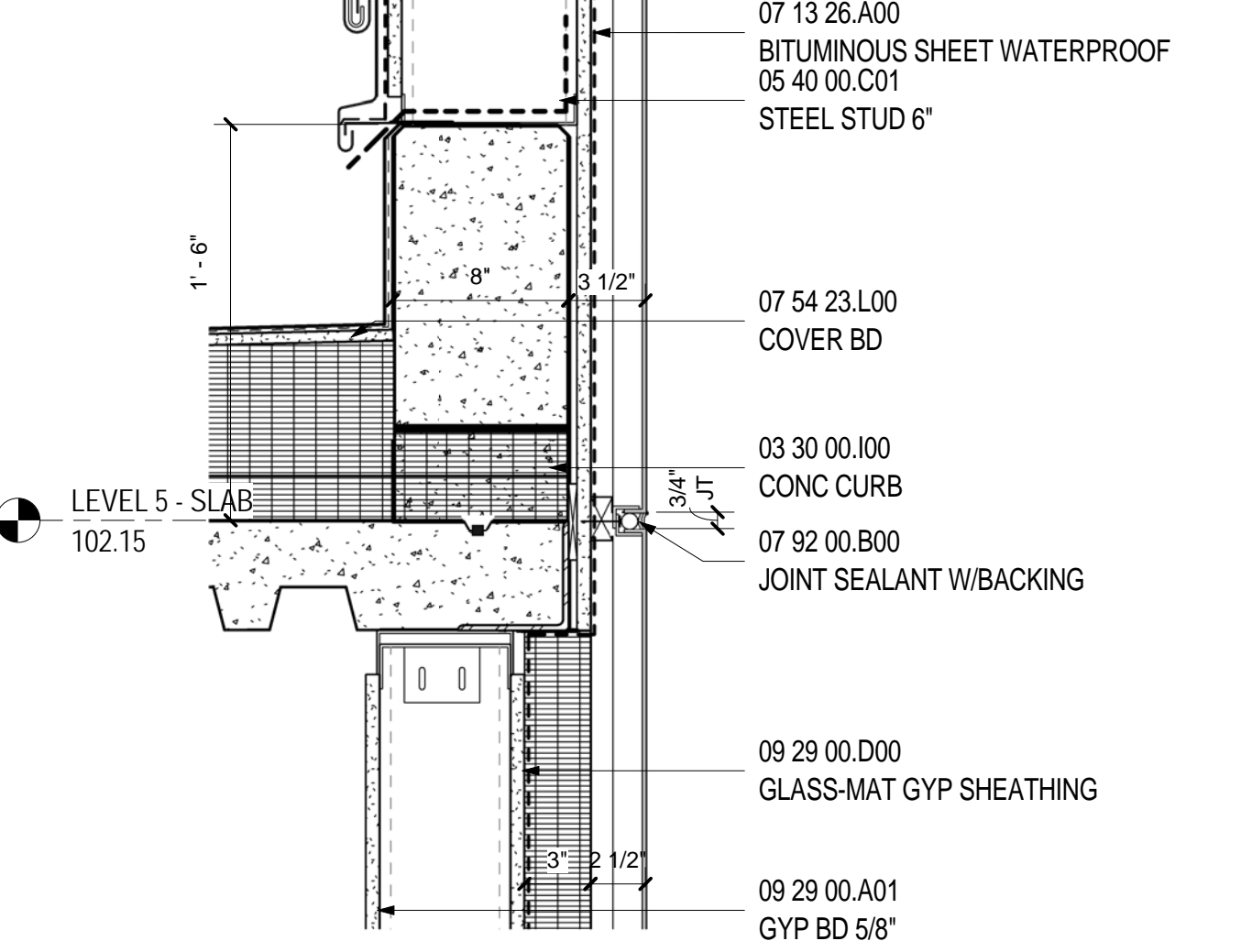
**SECTION AT STAIR 16 ROOF**  
SCALE: 1 1/2" = 1'-0" A09.20 8



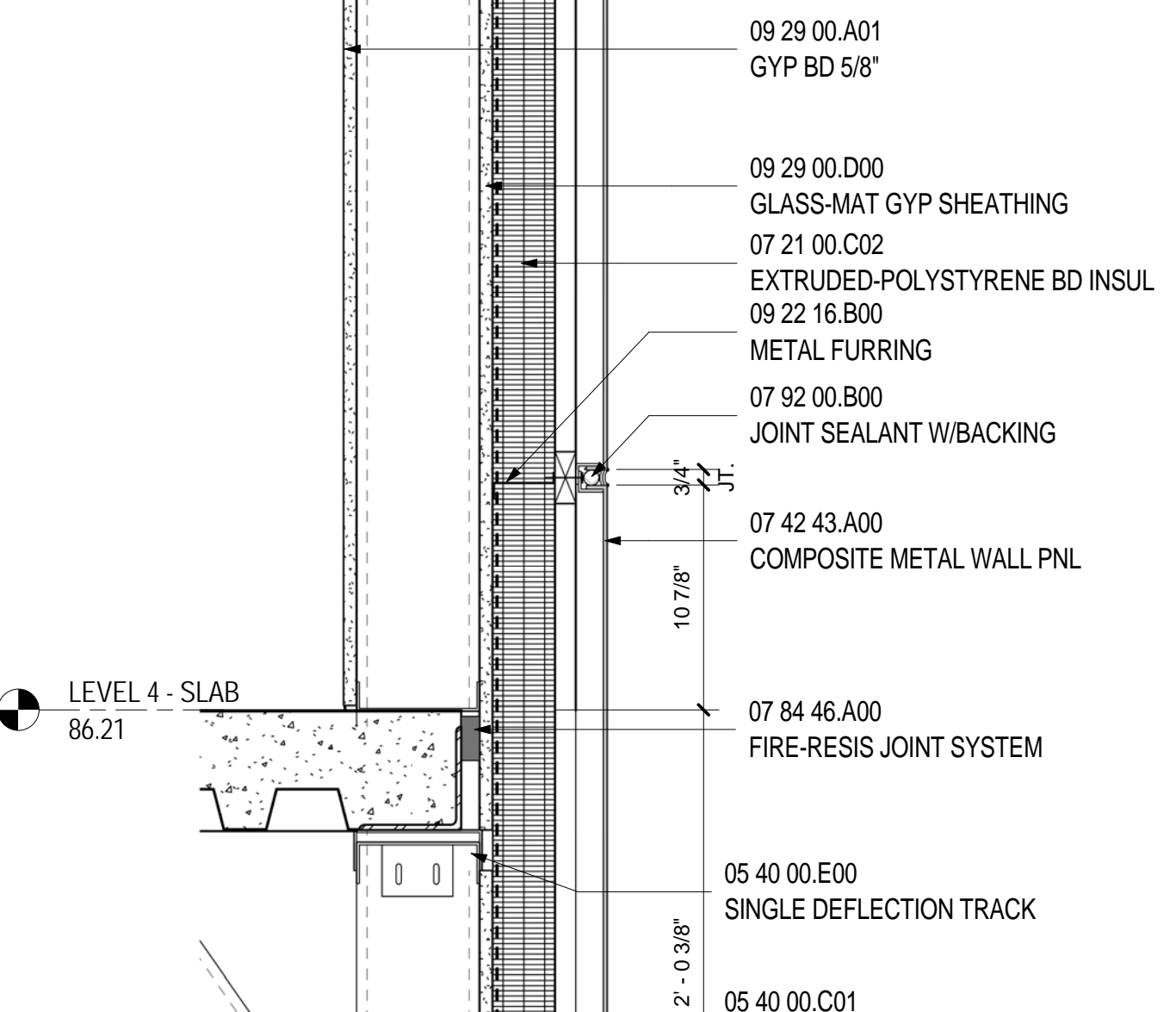
**SECTION 2 AT LEVEL 5 STAIR 16**  
SCALE: 1 1/2" = 1'-0" A10.00 9



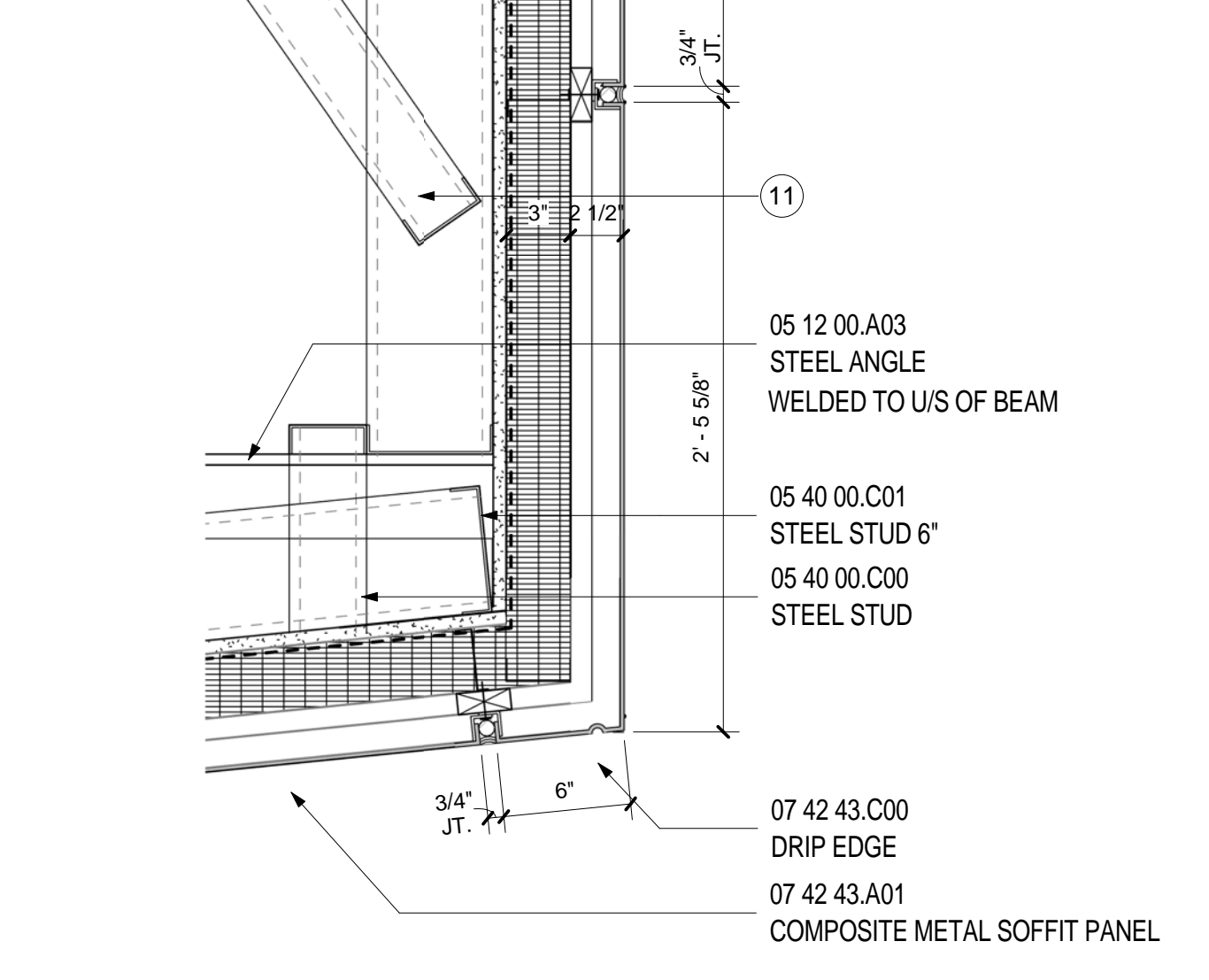
**SECTION AT MECH PARAPET**  
SCALE: 1 1/2" = 1'-0" A09.20 1



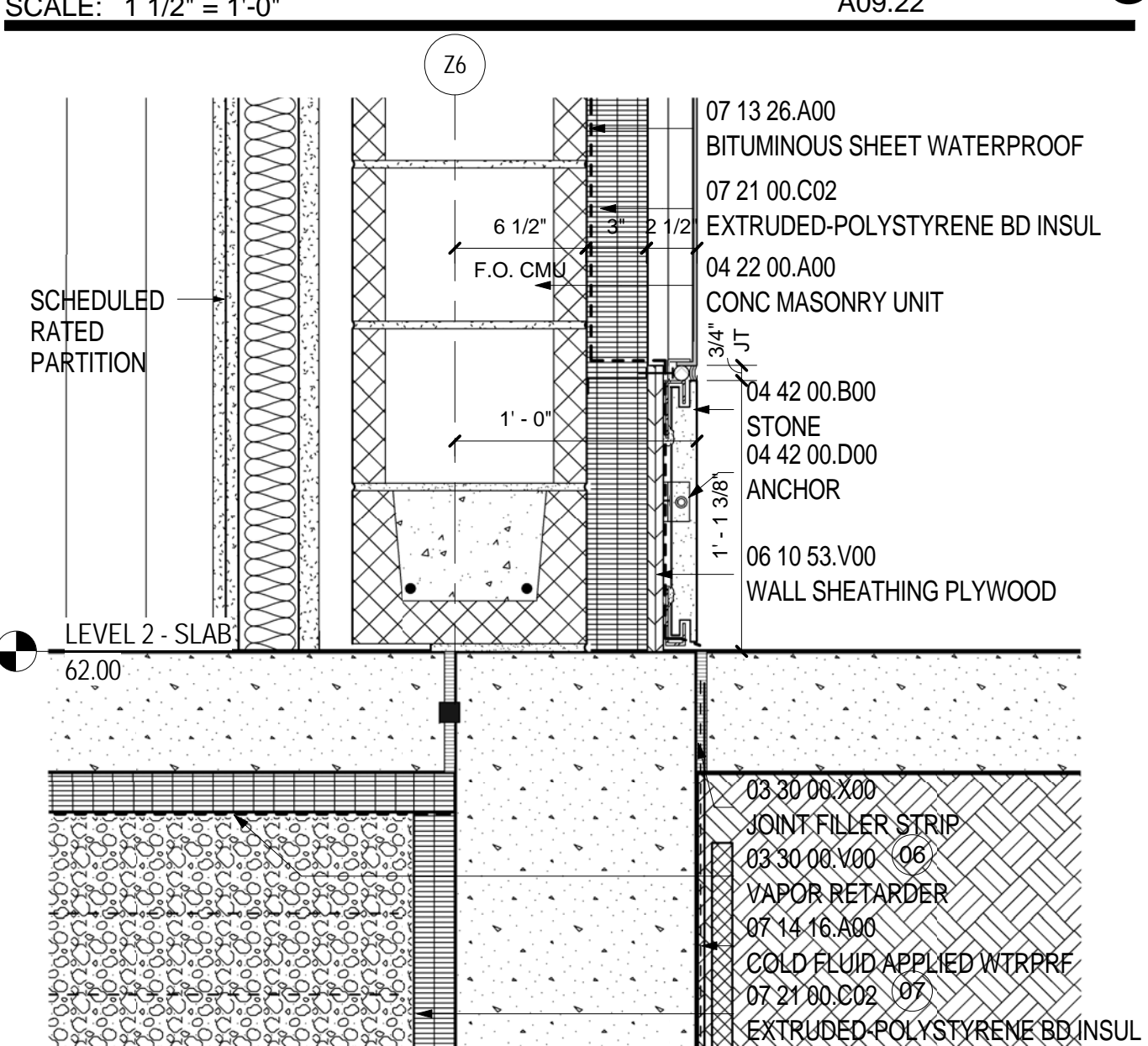
**SECTION AT LEVEL 5 MECH ROOF**  
SCALE: 1 1/2" = 1'-0" A09.21 2



**SECTION 1 AT METAL SOFFIT**  
SCALE: 1 1/2" = 1'-0" A09.22 3



**SECTION 1 AT METAL SOFFIT**  
SCALE: 1 1/2" = 1'-0" A09.22 3



**SECTION AT LEVEL 2 ELECT. ROOM**  
SCALE: 1 1/2" = 1'-0" A09.20 4

- SHEET NOTES**
- FIN TUBE ENCLOSURE. RE: MECHANICAL DRAWINGS FOR FIN TUBE INFORMATION.
  - SCHEDULED LIGHT FIXTURE
  - WRAP SELF ADHERING SHEET WATERPROOFING OVER TOP OF SUBSTRATE.
  - LAP SELF-ADHERING SHEET WATERPROOFING 8" MIN OVER TPO MEMBRANE ROOFING OVER BLOCKING UNDER COPING.
  - STOP INSULATION. GYPSUM SHEATHING AND WATERPROOFING AT TOP OF CURB FOR REMOVABLE PANELS.
  - PROVIDE 2" RIGID INSULATION UNDER ALL SLABS ON GRADE.
  - PROVIDE VAPOR BARRIER UNDER ALL SLABS ON GRADE. RE: STRUCTURAL DRAWINGS FOR MORE INFORMATION.
  - WRAP WATERPROOFING INTO FRAMED AREA OF REMOVABLE PANELS.
  - STOP INSULATION. GYPSUM SHEATHING AND WATERPROOFING AT TOP OF CURB FOR REMOVABLE PANELS.
  - REMOVABLE "KNOCK OUT" METAL WALL PANELS. RE: ELEVATION 4/A09.03 FOR EXTENT.
  - BRACE AS REQUIRED
  - SIGN ANCHOR PENETRATION. RE: A07.12.06 FOR MORE INFORMATION.

**Portland International Jetport**  
1001 Westbrook Street  
Portland, Maine 04102

2020 K Street, Northwest  
Suite 200  
Washington DC 20006  
Telephone 202.721.5200  
Facsimile 202.872.8587

**Gensler**

Date	Description
12/03/08	75% CONSTRUCTION DOCUMENTS
01/23/09	95% CONSTRUCTION DOCUMENTS
10/26/09	ISSUED FOR PERMIT
2/11/10	ADDENDUM #2
1/45/09/11	ISSUED FOR CONSTRUCTION

Seal/Signature

*(Signature)*

Project Name  
PJM Terminal Enhancement

Project Number  
09.6395.000

Description  
SECTION DETAILS - WALL TYPE A

Scale  
As indicated

**A12.10**

© 2009 Gensler