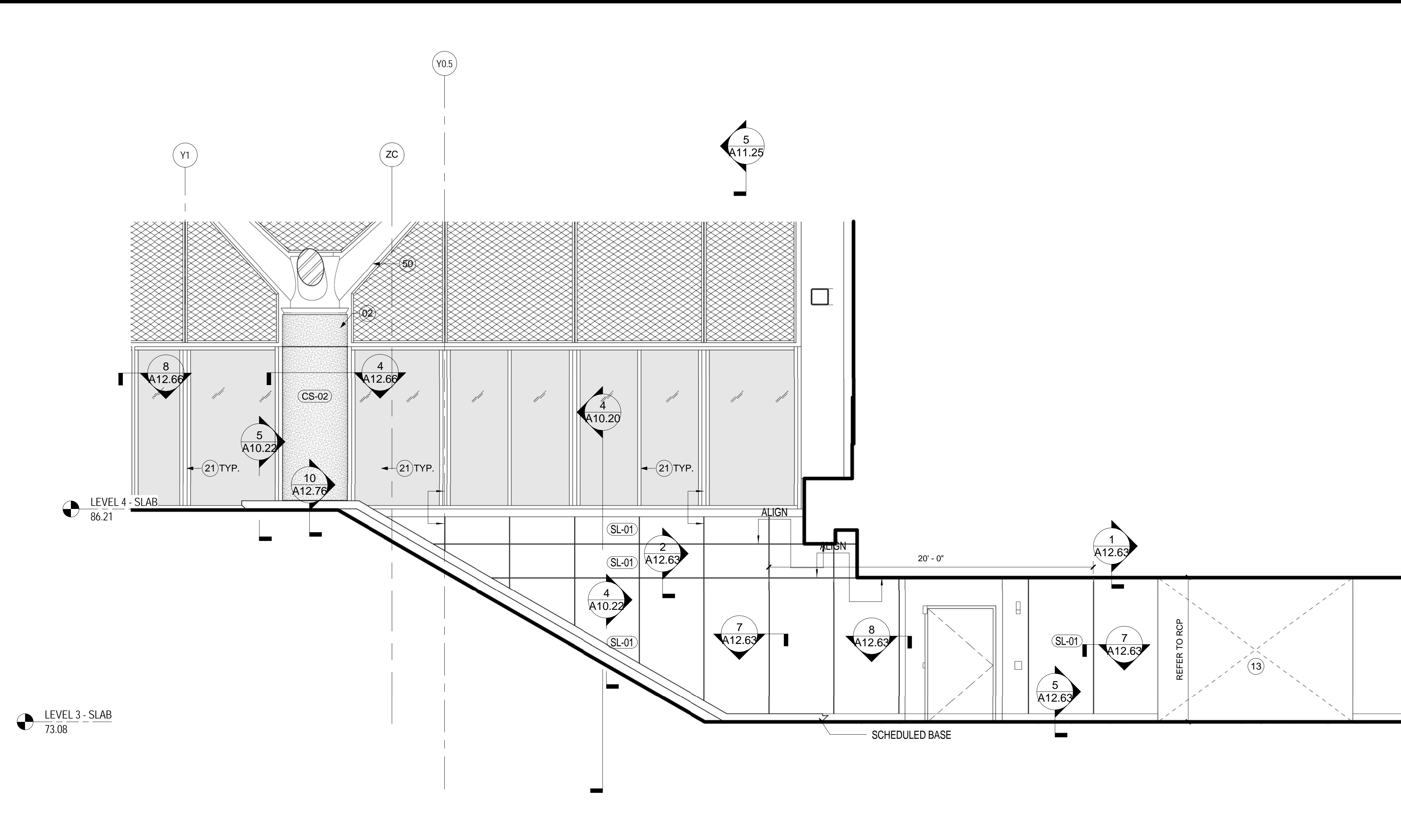
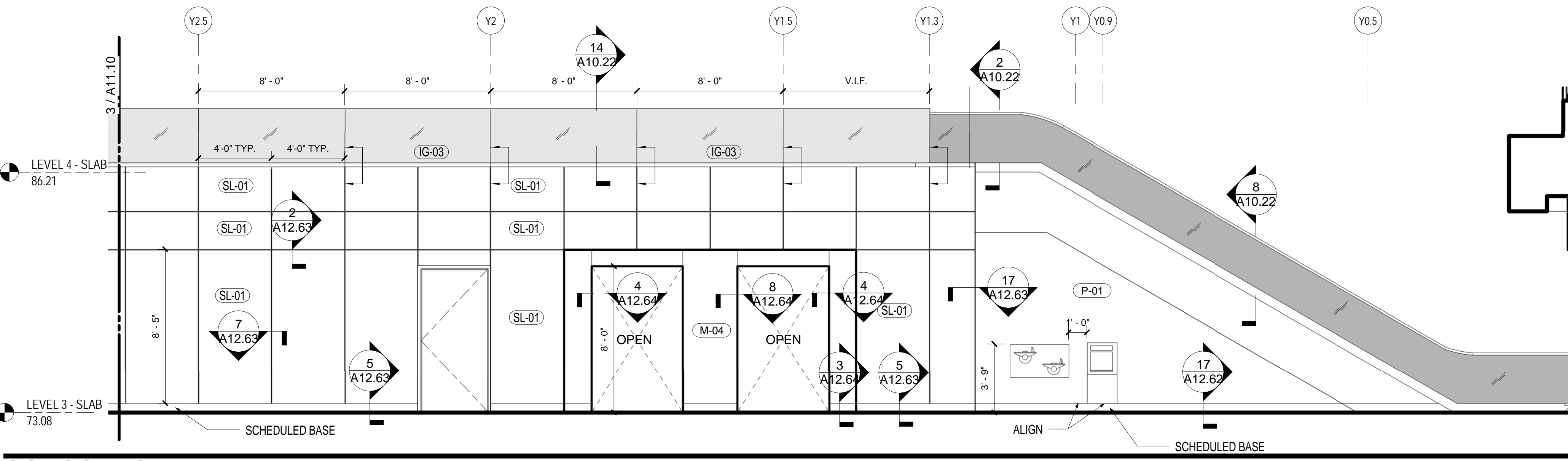


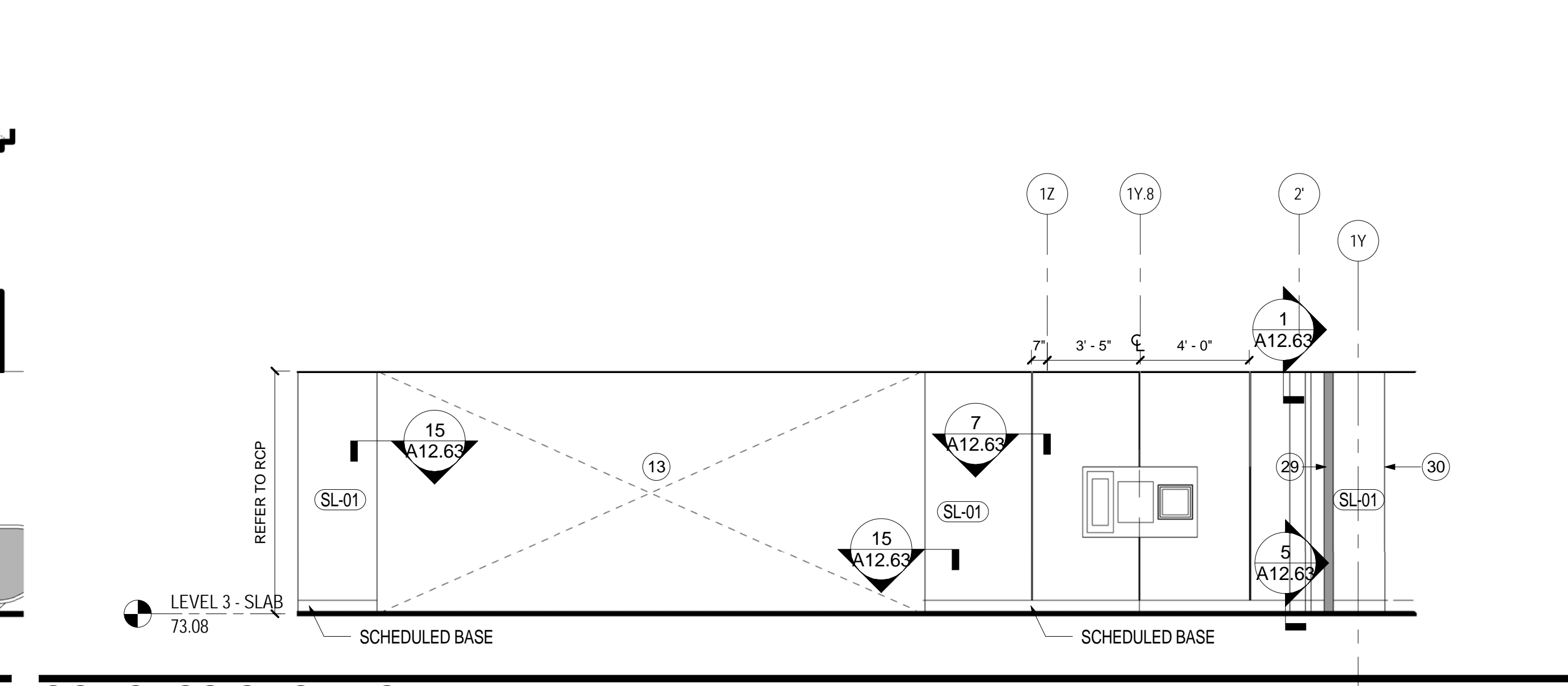
CONCOURSE ELEVATOR LOBBY
SCALE: 1/4" = 1'-0"
A02.03.04



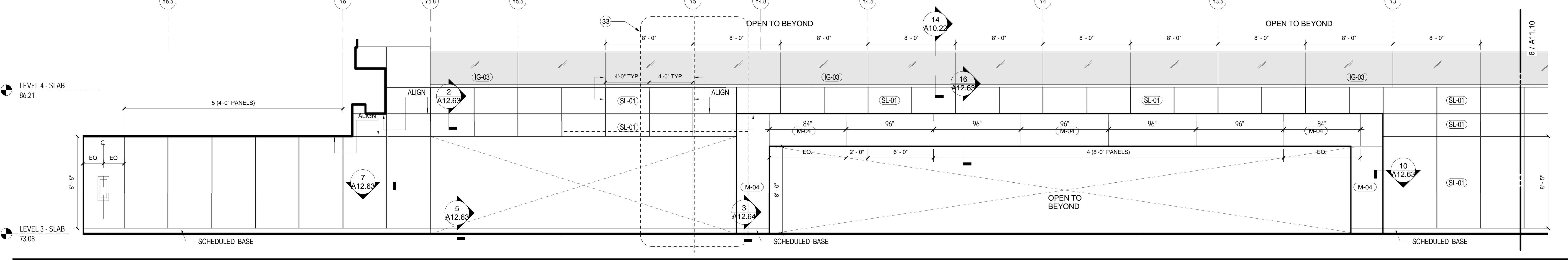
5 CONCESSIONS - NORTHEAST
SCALE: 1/4" = 1'-0"
A02.03.04



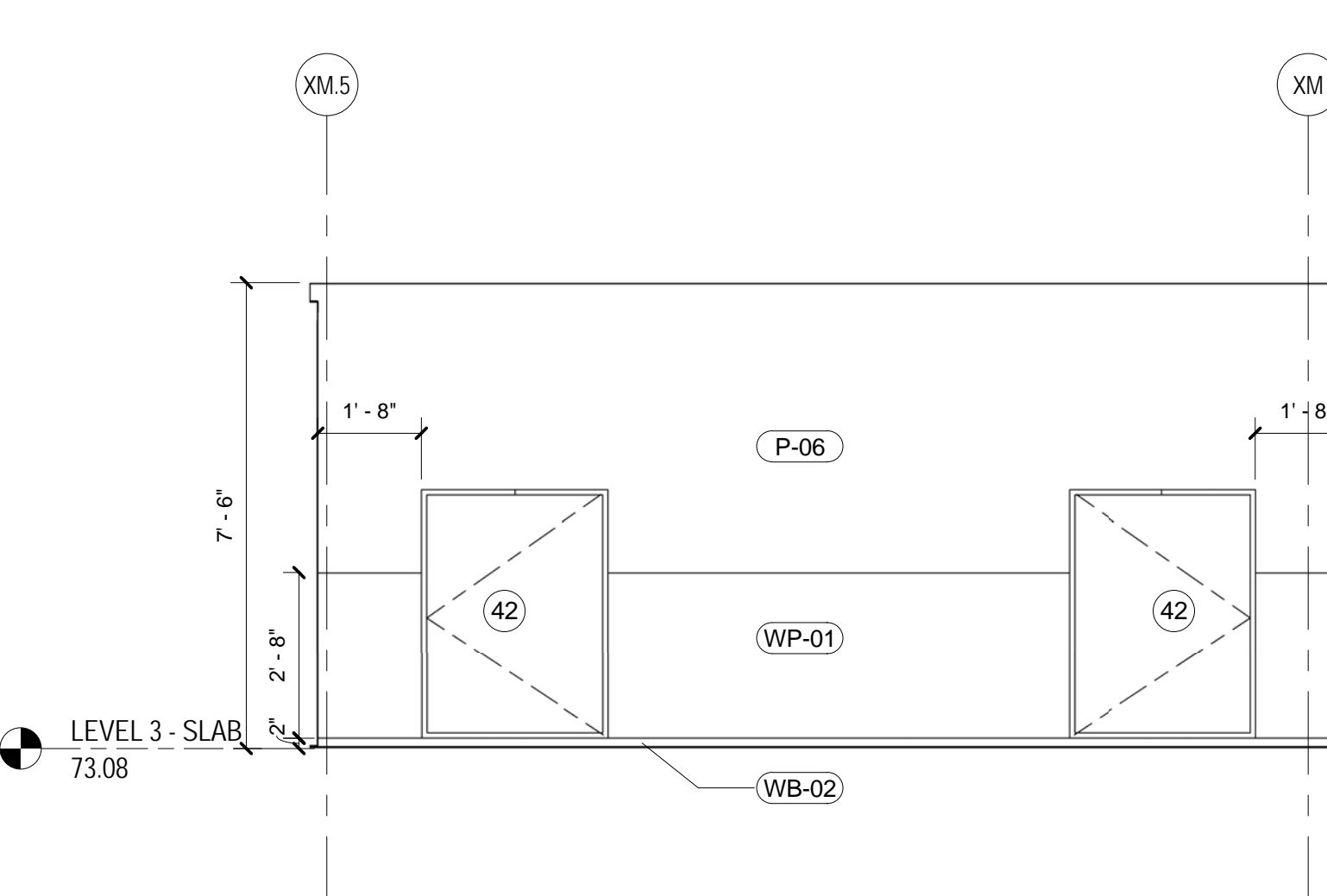
CONCOURSE
SCALE: 1/4" = 1'-0"
A02.03.05



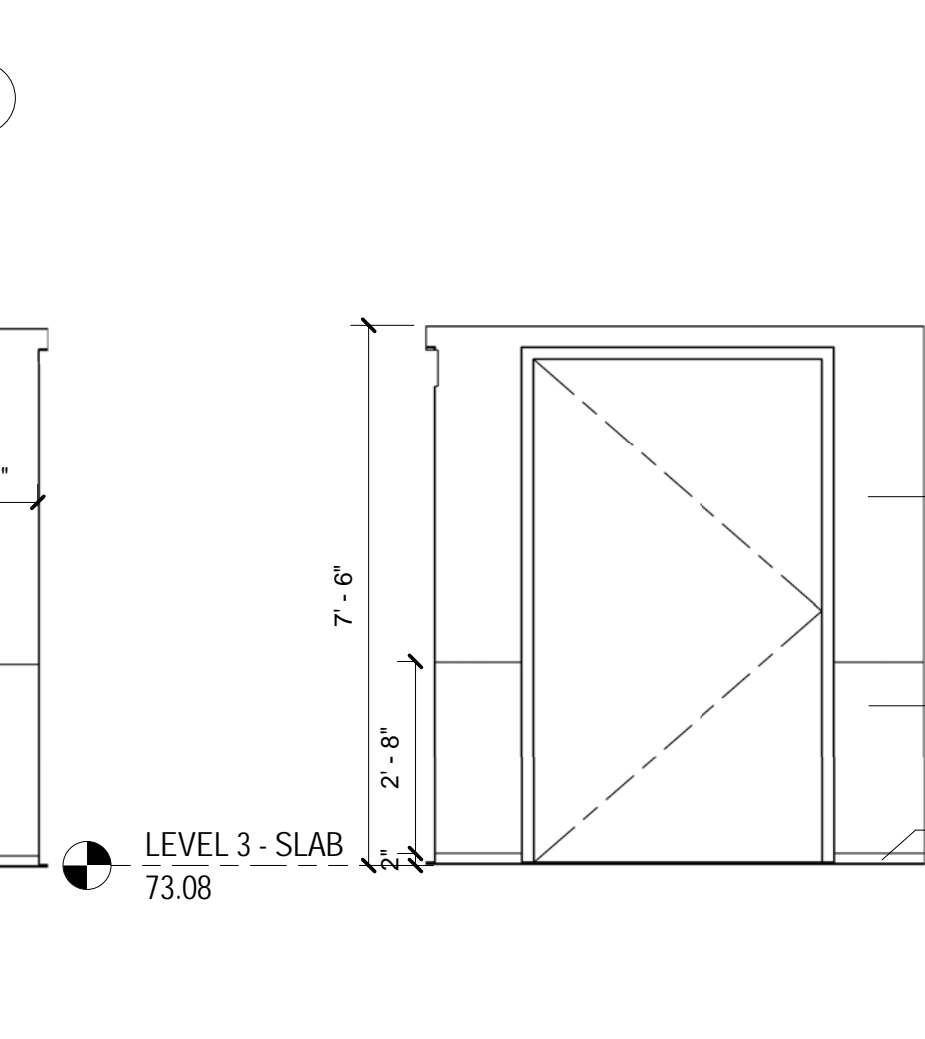
6 CONCESSIONS - NORTH
SCALE: 1/4" = 1'-0"
A02.03.04



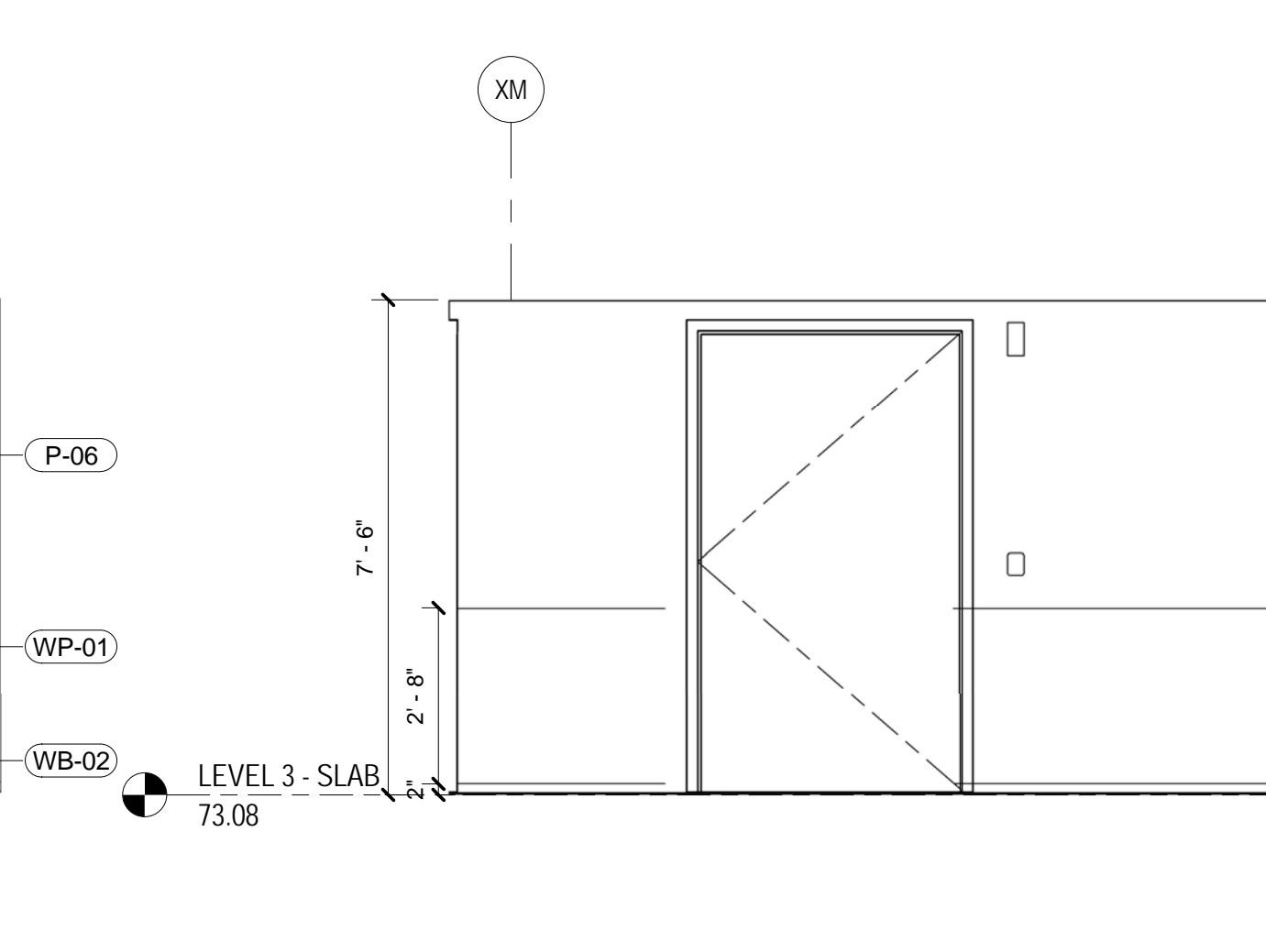
CONCOURSE - CONT.
SCALE: 1/4" = 1'-0"
A02.03.04



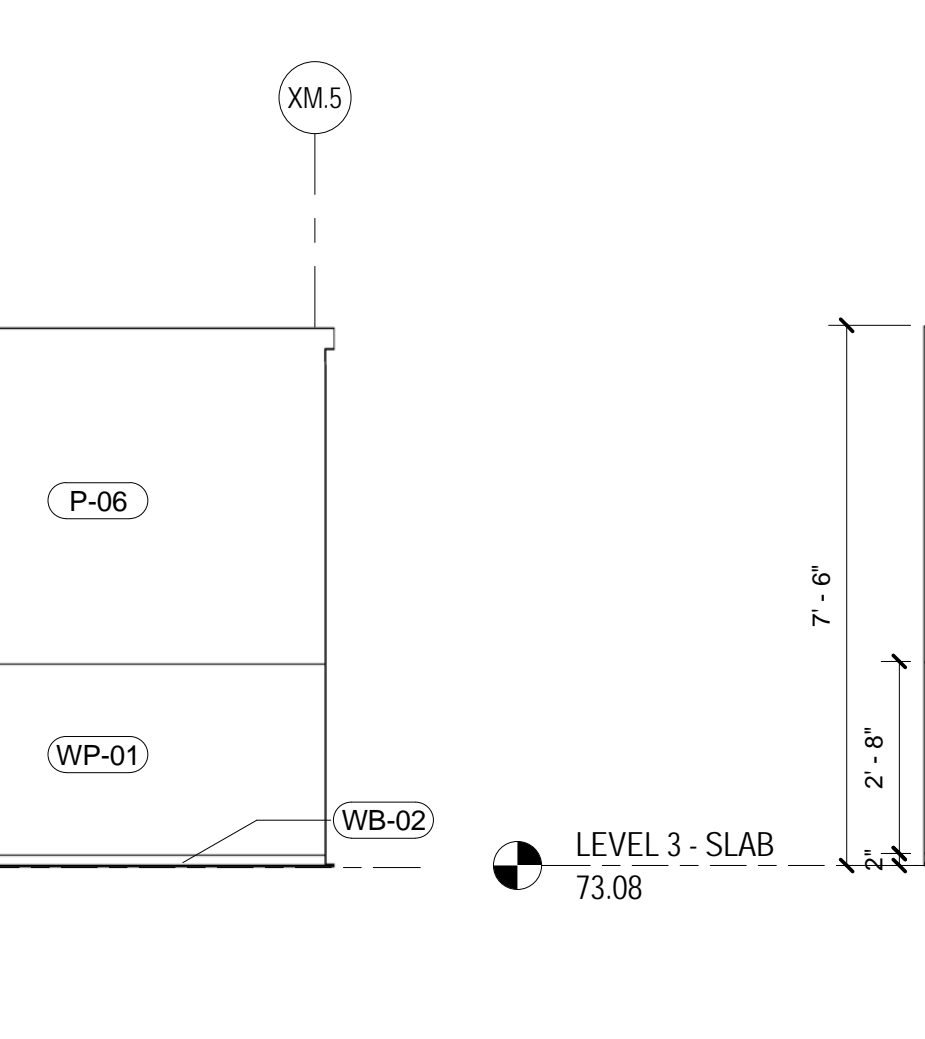
11 W. ELEV FIXED LINK TYPICAL
SCALE: 3/8" = 1'-0"
A09.63



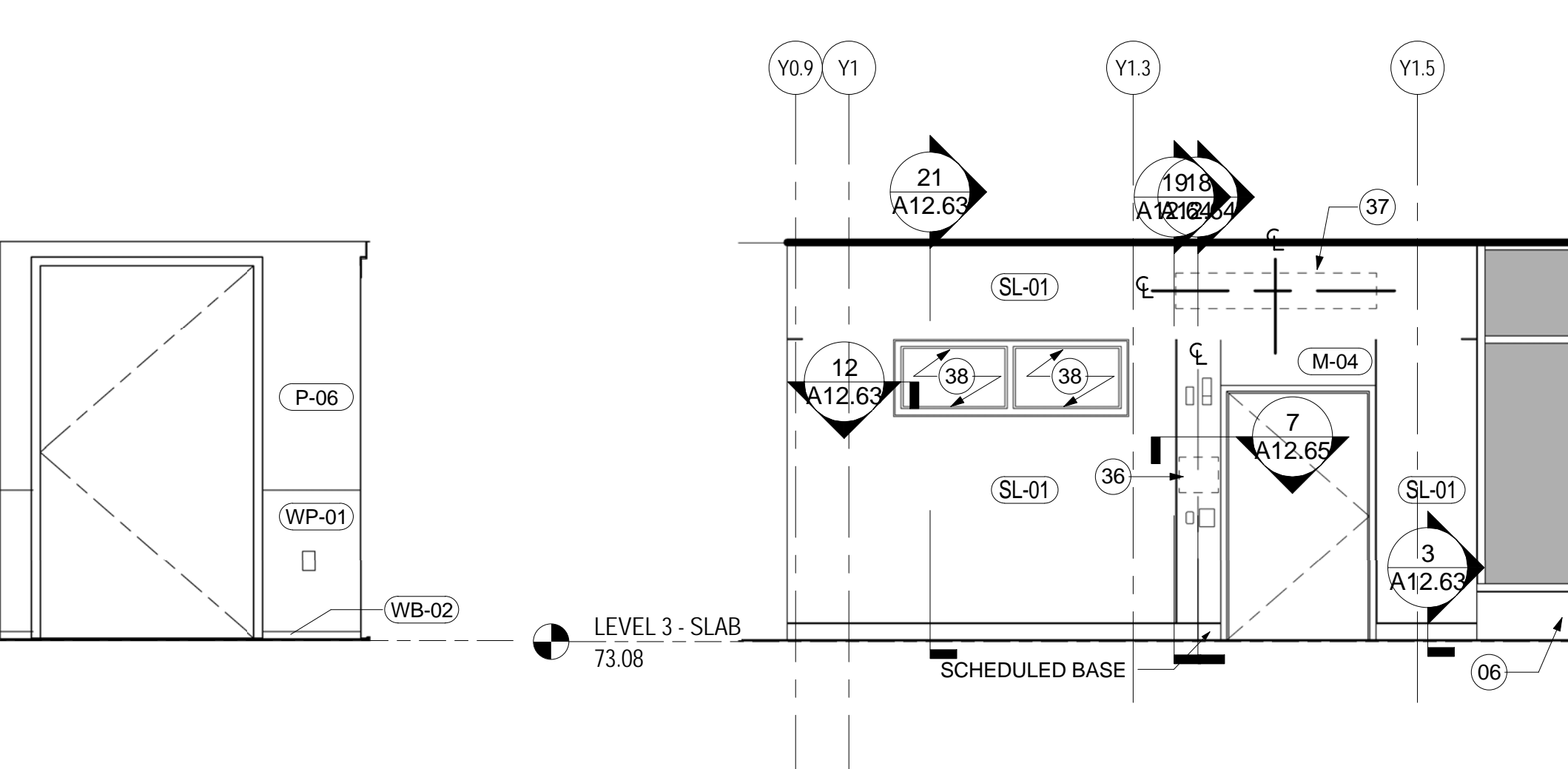
1 S. ELEV FIXED LINK TYP.
SCALE: 3/8" = 1'-0"
A09.63



10 E. ELEV FIXED LINK TYP.
SCALE: 3/8" = 1'-0"
A09.63



9 N. ELEV FIXED LINK TYP.
SCALE: 3/8" = 1'-0"
A09.63



8 TYPICAL GATE PORTAL
SCALE: 1/4" = 1'-0"
A02.03.05

SHEET NOTES

- 01 LINE OF SOFFIT
- 02 ARCHITECTURAL EXPOSED CONCRETE COLUMN
- 03 FINISHED STEEL POST, TO BE PAINTED P-06
- 04 SIGNAGE AND WAYFINDING; REFER TO A07.00 SERIES DRAWINGS FOR ADDITIONAL INFORMATION
- 05 FIRE SECURITY OVERHEAD COLLING DOOR. RE: BAGGAGE DRAWINGS FOR DETAILS AND MORE INFORMATION. COORDINATE WALL AND FIRE SECURITY DOOR LOCATIONS WITH BAGGAGE DRAWINGS
- 06 METAL FIN TUBE ENCLOSURE TO BE FACTORY FINISHED TO MATCH MULLION COLOR ABOVE. REFER TO MECHANICAL DRAWINGS FOR ADDITIONAL INFORMATION
- 07 MULLION ON CORRIDOR SIDE TO BE PAINTED P-06
- 08 PROVIDE FIREMAN'S PHONE & KEY BOX WHERE OCCURS. COORDINATE WITH FIRE PROTECTION DRAWINGS. RE: DETAIL A410.33
- 09 ALL ELEMENTS OF EXPOSED DECK CEILING ASSEMBLY: EXPOSED STEEL, PIPING CONDUITS AND COMPONENTS TO BE PAINTED P-02.
- 10 LINEAR DIFFUSER: REFER TO MECHANICAL DRAWINGS FOR ADDITIONAL INFORMATION
- 11 CONTROL JOINT. REFER TO 3/A12.62
- 12 ELEVATOR HALL LANTERN
- 13 TEMPORARY DEMISING PARTITION
- 14 EXPOSED STEEL AND COMPONENTS TO BE PAINTED P-02.
- 15 ADVERTISEMENT PANEL: COORDINATE MOUNTING AND POWER REQUIREMENTS WITH VENDOR.
- 16 CONTINUOUS METAL PLATE TO MATCH ADJACENT METAL PANELS. ALL CUT OUTS TO BE DONE IN SHOP WITH APPROVED DEVICE DIMENSIONS
- 17 BAGGAGE TAKE AWAY CONVEYOR. RE: TO BAGGAGE DRAWINGS FOR MORE INFORMATION.
- 18 PASSENGER INFORMATION DISPLAY SYSTEM: COORDINATE MOUNTING AND POWER REQUIREMENTS.
- 19 FLIGHT INFORMATION DISPLAY SYSTEM: COORDINATE MOUNTING AND POWER REQUIREMENTS.
- 20 VINYL WALL GRAPHIC. REFER TO A07.00 SHEETS
- 21 MULLION AND SNAP CAP TO BE FACTORY PAINTED TO MATCH P-01
- 22 SECURITY PASSENGER INFORMATION DISPLAY SYSTEM: COORDINATE MOUNTING AND POWER REQUIREMENTS.
- 23 ALIGN PANEL START POINT AND TRANSITION WITH CONTROL JOINT ABOVE AT CEILING.
- 24 HALL LANTERN: PROVIDE ELEVATOR MANUFACTURER'S STANDARD HALL LANTERN
- 25 3/4" REVEAL TO BE ON CENTERLINE WITH MULLION BELOW. U.O.N.
- 26 SCHEDULED SLIDING GLASS DOORS. RE: A00.30 FOR DOOR SCHEDULE
- 27 FOR BACK WALL ELEVATION REFER TO SHEET A11.02
- 28 PATCH: MATCH AND REPAIR EXISTING WALL AND BASE FINISHES AS REQUIRED.
- 29 EXPANSION JOINT COVER. RE: A02 SERIES FOR TYPE.
- 30 FIRE SHUTTER
- 31 PROVIDE WALL PROTECTION SYSTEM CORNER GUARD.
- 32 FINISHED STEEL POST, TO BE PAINTED P-01 ON INTUMESCENT COATING
- 33 AREA OF MOCK UP
- 34 LINE OF ARCHITECTURAL PLENUM BEYOND. RE: TO RCP FOR SLOPE AND ADDITIONAL INFORMATION.
- 35 SNAP CAP AND MULLION TO BE FACTORY PAINTED P-07 TO MATCH M-01 FINISH.
- 36 STAINLESS STEEL ACCESS PANEL FOR INTERCOM MICROPHONE. REFER TO AV DRAWINGS FOR ADDITIONAL INFORMATION AND REQUIREMENTS
- 37 GATE ID. REFER TO THE A07 SERIES FOR ADDITIONAL INFORMATION
- 38 GATE INFORMATION DISPLAY SYSTEM. RE: TO POWER AND COMMUNICATION PLANS AND SCHEDULE FOR EQUIPMENT SPECIFICATIONS. COORDINATE WITH ELECTRICAL AND COMM DRAWINGS. NO VISIBLE CORDS OR WIRING.
- 39 MECHANICAL GRILLE AT ELEVATOR MACHINE RM TO BE PAINTED P-01. RE: MECHANICAL DRAWINGS FOR ADDITIONAL INFORMATION.
- 40 BAGGAGE HANDLING SYSTEM CONTROL STATION. RE: TO BAGGAGE HANDLING SYSTEM DRAWINGS FOR ADDITIONAL INFORMATION
- 41 ANNUNCIATOR. RE: TO FIRE ALARM DRAWINGS FOR ADDITIONAL INFORMATION
- 42 RADIANT MANIFOLD RE: TO MECHANICAL DRAWINGS FOR ADDITIONAL INFORMATION
- 43 BOTTOM OF SCHEDULED FIXTURE AT MECHANICAL WALL IS TO MATCH TOP ELEVATION OF WIND GIRT.
- 44 FIRE SHUTTER TRACK
- 45 CENTERLINE OF REVEAL TO MATCH CENTERLINE OF WIND GIRT
- 46 EXPOSED STEEL TO HAVE INTUMESCENT PAINT WITH SPECIFIED FINISH TOP COAT
- 47 MAINTAIN 1'-6" FROM TOP OF COLUMN TO BOTTOM OF BEAM
- 48 SCHEDULED SPEAKERS. RE: AUDIO VISUAL DRAWINGS FOR ADDITIONAL INFORMATION. COORDINATE WITH COLUMN DETAILS
- 49 SOUND BAFFLE. RE: DETAIL S/A12.68
- 50 RE: SHEET A12.75 FOR DETAILS

GENERAL NOTES

- A REFER TO SHEET A00.13 FOR TYPICAL MOUNTING HEIGHTS. U.O.N.
- B REFER TO SHEET A12.70 - A12.72 FOR COLUMN COVER SIZES AND DETAILS
- C REFER TO PLANS FOR ALL HORIZONTAL DIMENSIONS U.O.N.
- D HORIZONTAL REVEALS TO TRACK AROUND ELEVATOR ENCLOSURE
- E REFER TO PLANS FOR ALL DEVICES, FEQ, AND DIFIBULATOR HORIZONTAL LOCATIONS
- F REFER TO SHEET A00.13 FOR MOUNTING DIAGRAMS

Date	Description
09/22/08	DESIGN DEVELOPMENT
12/03/08	75% CONSTRUCTION DOCUMENTS
01/23/09	95% CONSTRUCTION DOCUMENTS
10/26/09	ISSUED FOR PERMIT
145 09/01/11	ISSUED FOR CONSTRUCTION

Project Name: PWM Terminal Enhancement
Project Number: 09.6395.000
Description: INTERIOR ELEVATIONS
Scale: As indicated

Portland International Jetport
1001 Westbrook Street
Portland, Maine 04102

Gensler
2020 K Street, Northwest
Suite 200
Washington DC 20006
Telephone 202.721.5200
Facsimile 202.872.8587