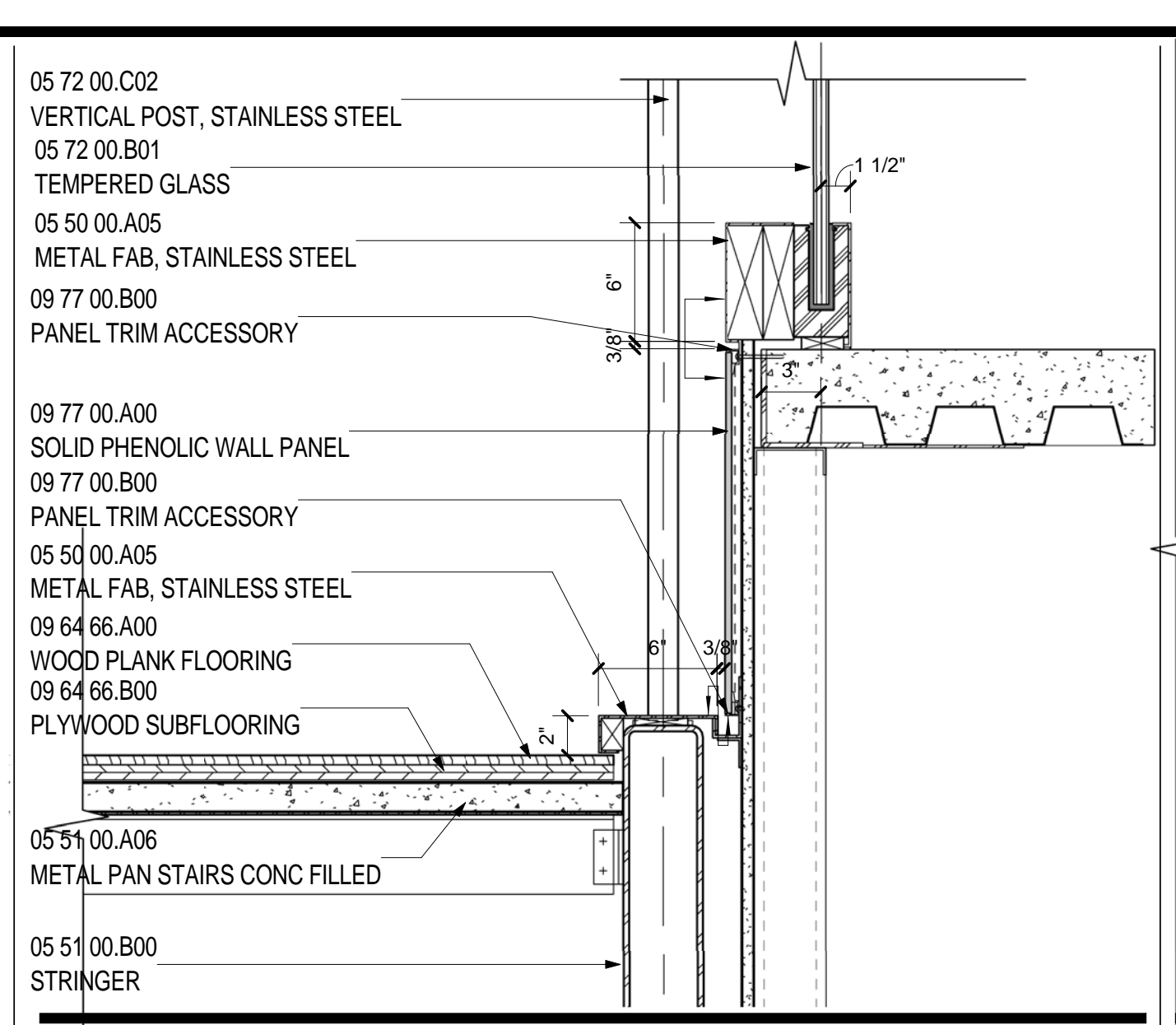
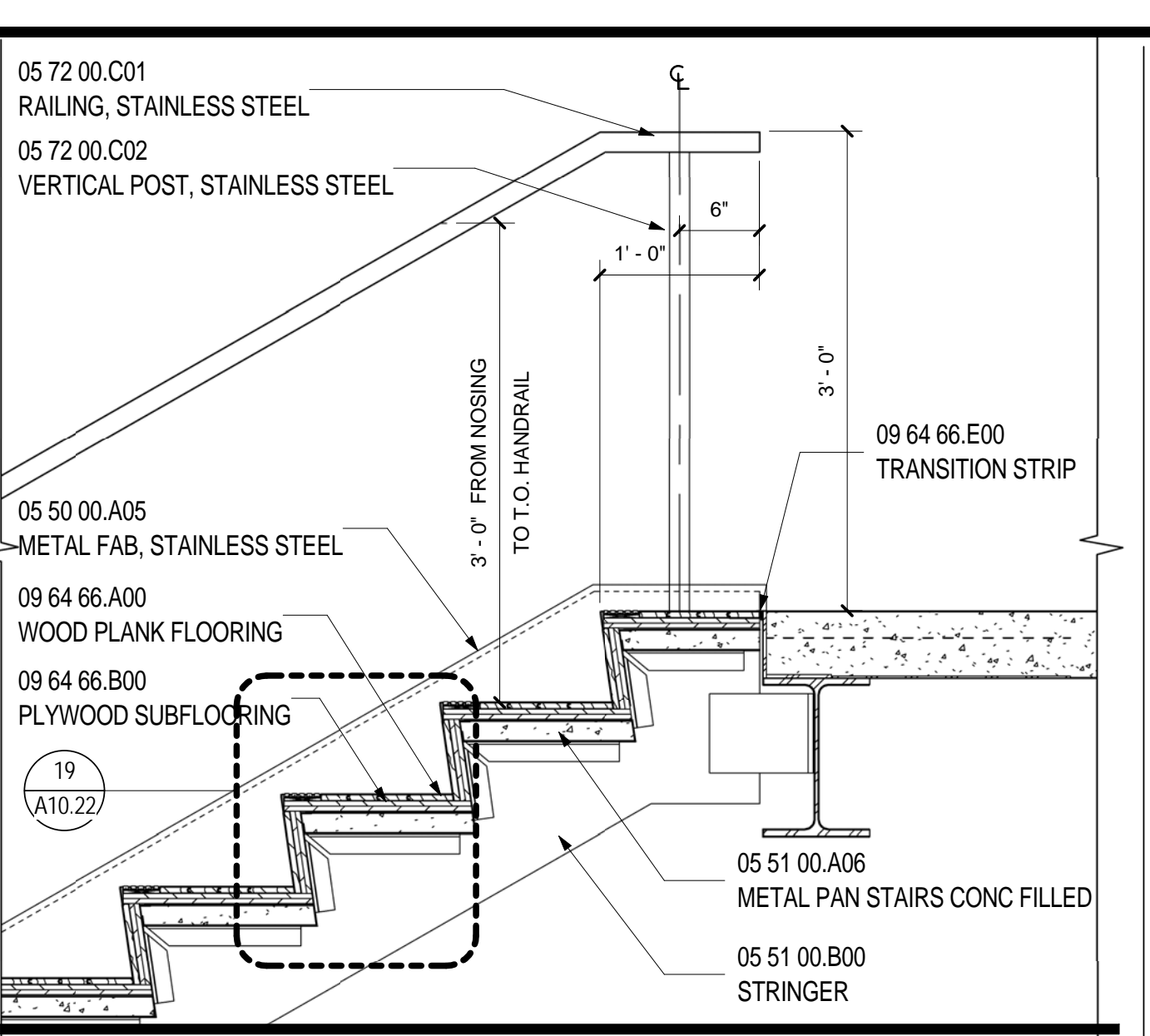


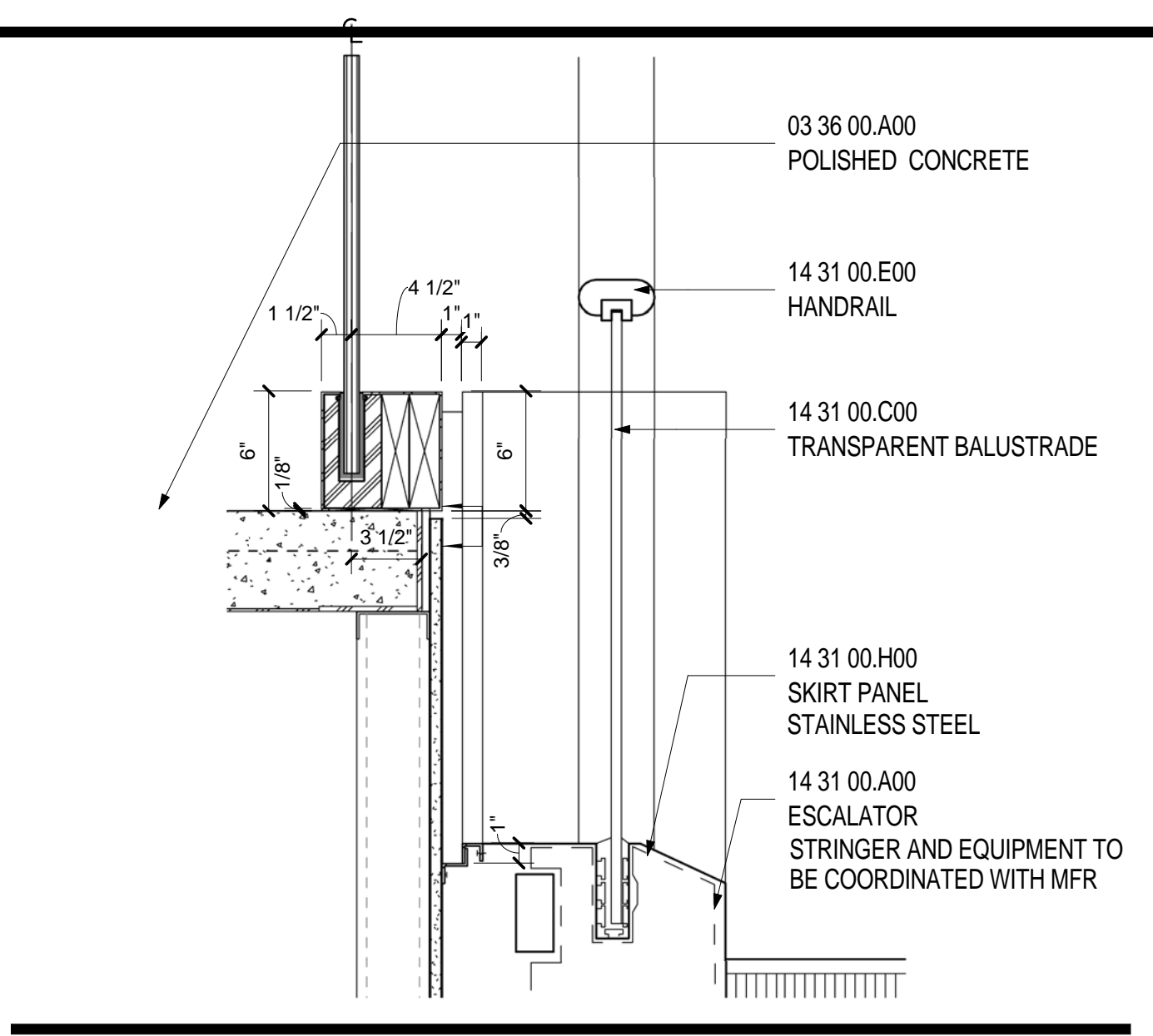
PLAN DETAIL @ STAIR #15 GUARDRAIL 20
SCALE: 1/2" = 1'-0"
A10.21



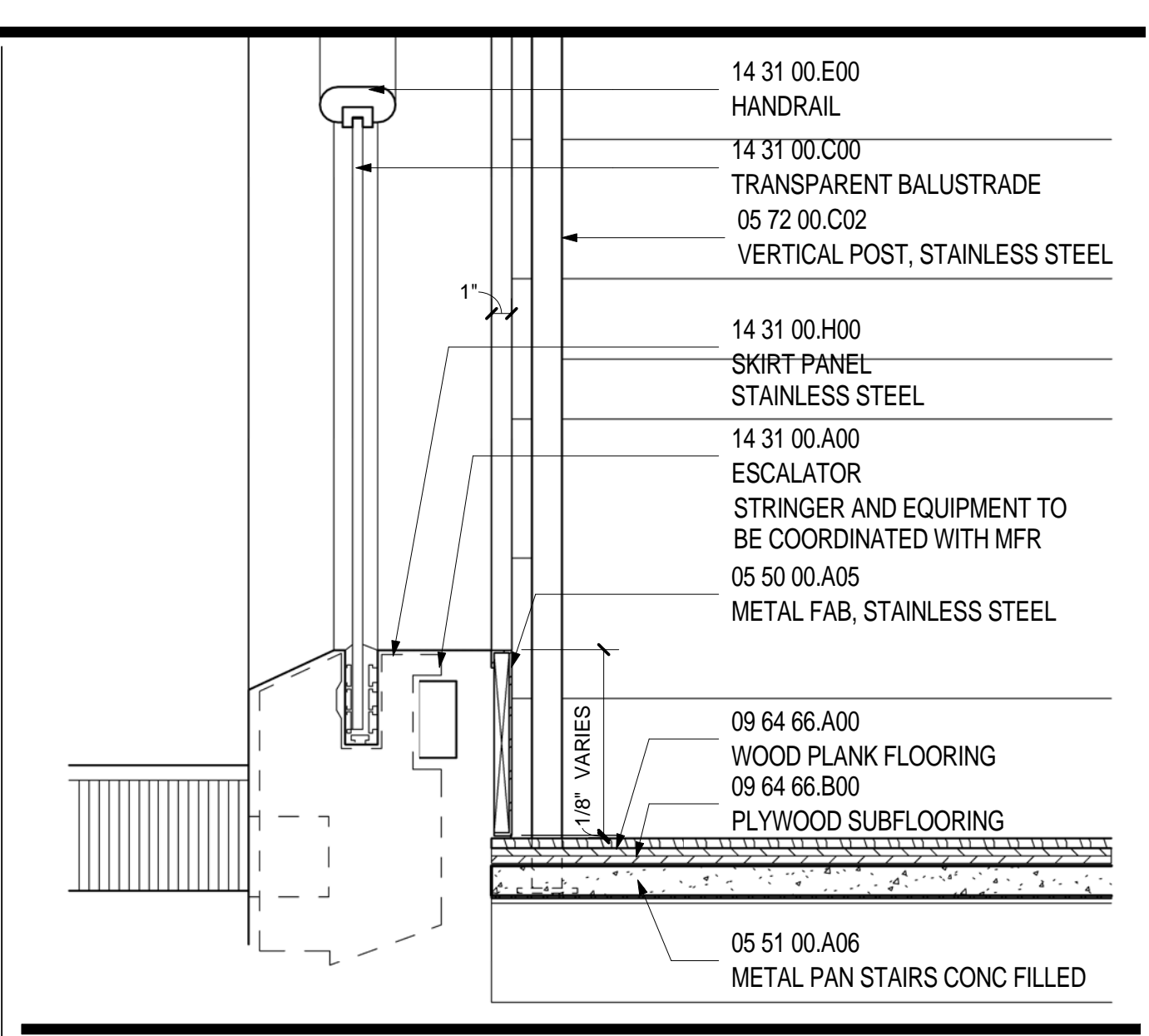
SECTION @ STAIR #15 @ GLASS/RAIL 15
SCALE: 1/2" = 1'-0"
A10.21



MONUMENTAL STAIR TOP LANDING 11
SCALE: 1" = 1'-0"
A10.20



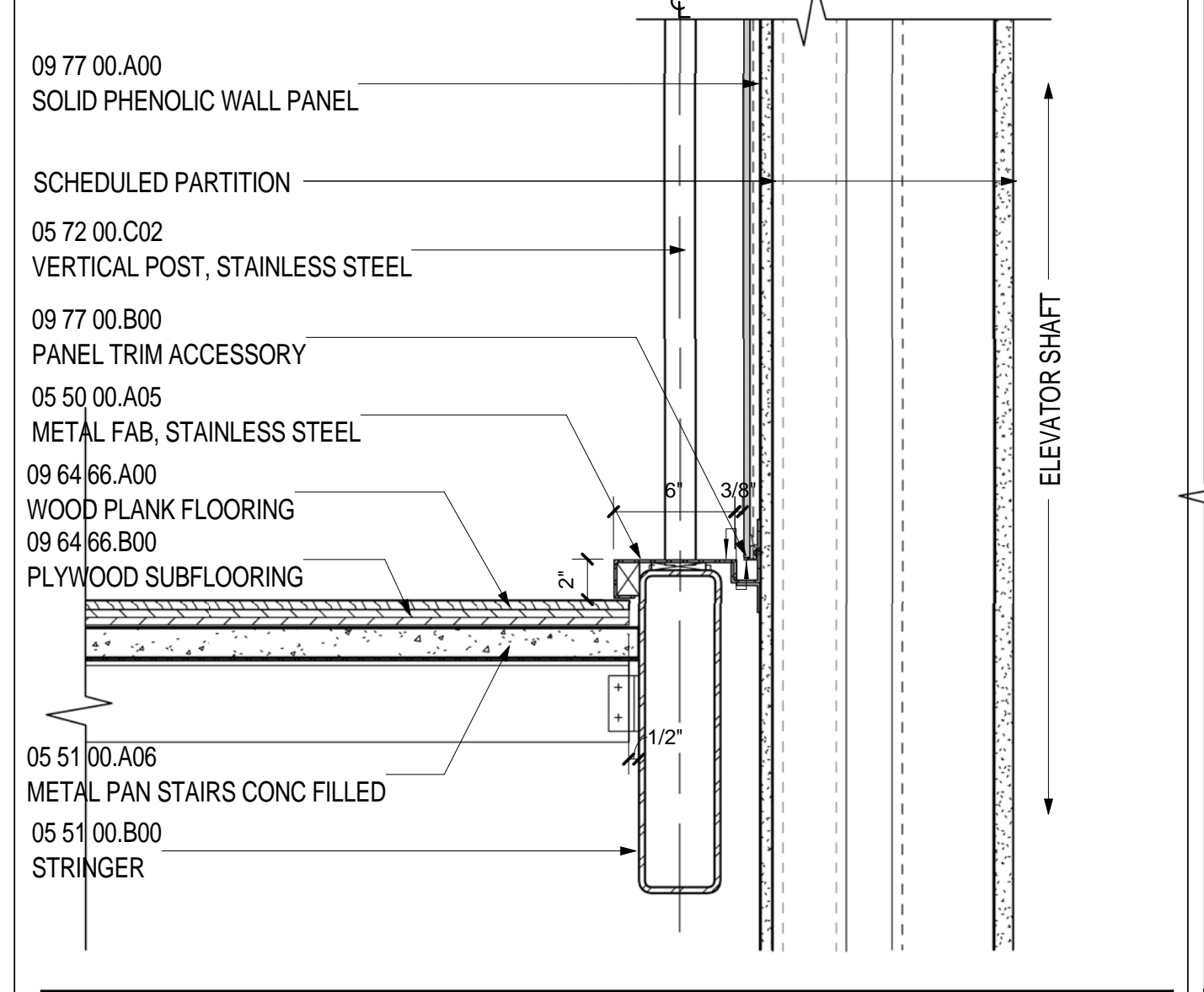
SECTION @ ESCL #3 & 4 RAIL 6
SCALE: 1/2" = 1'-0"
A10.20



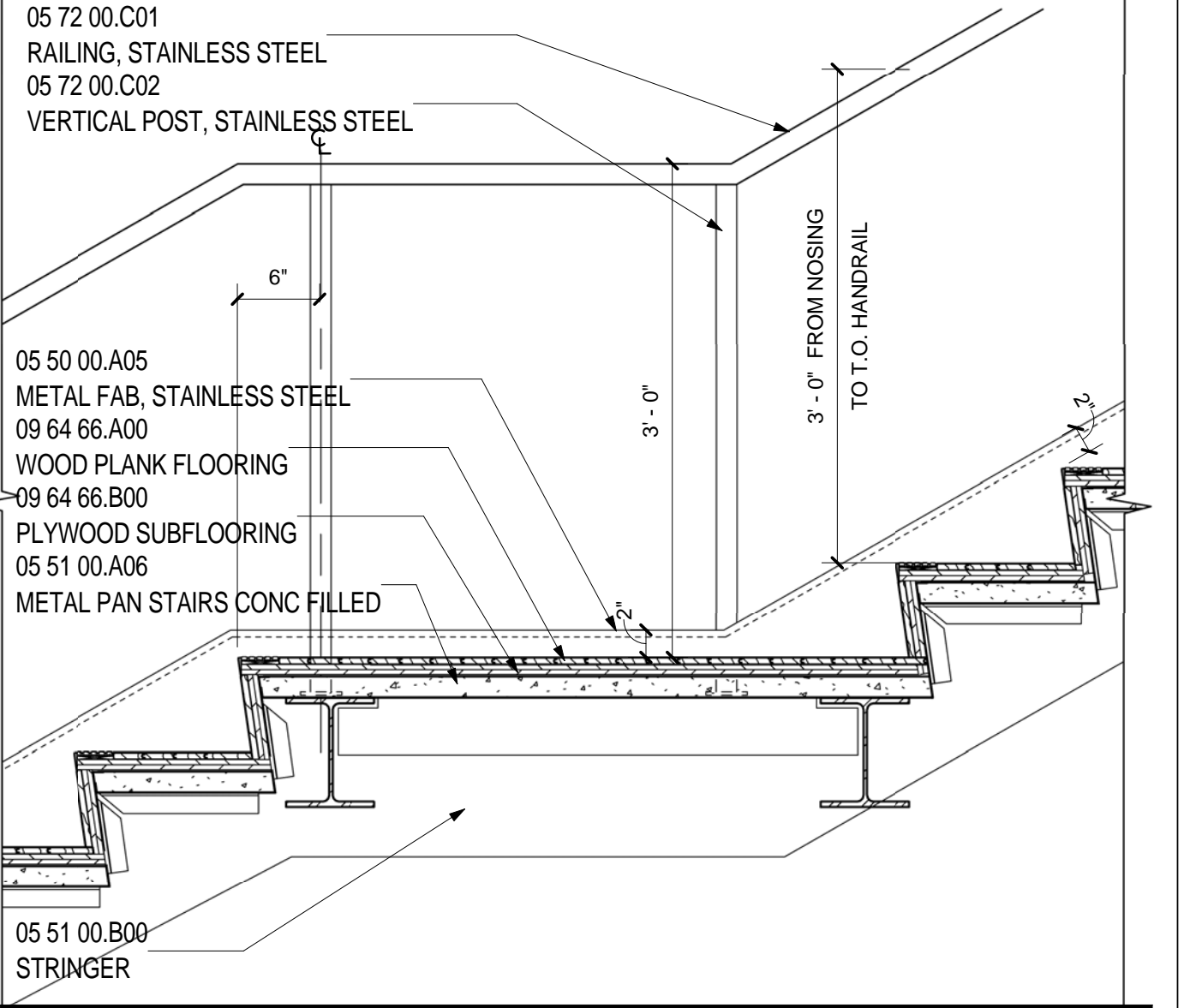
SECTION @ ESCL #3, 4 & 6 RAIL/STAIR 1
SCALE: 1/2" = 1'-0"
A10.20



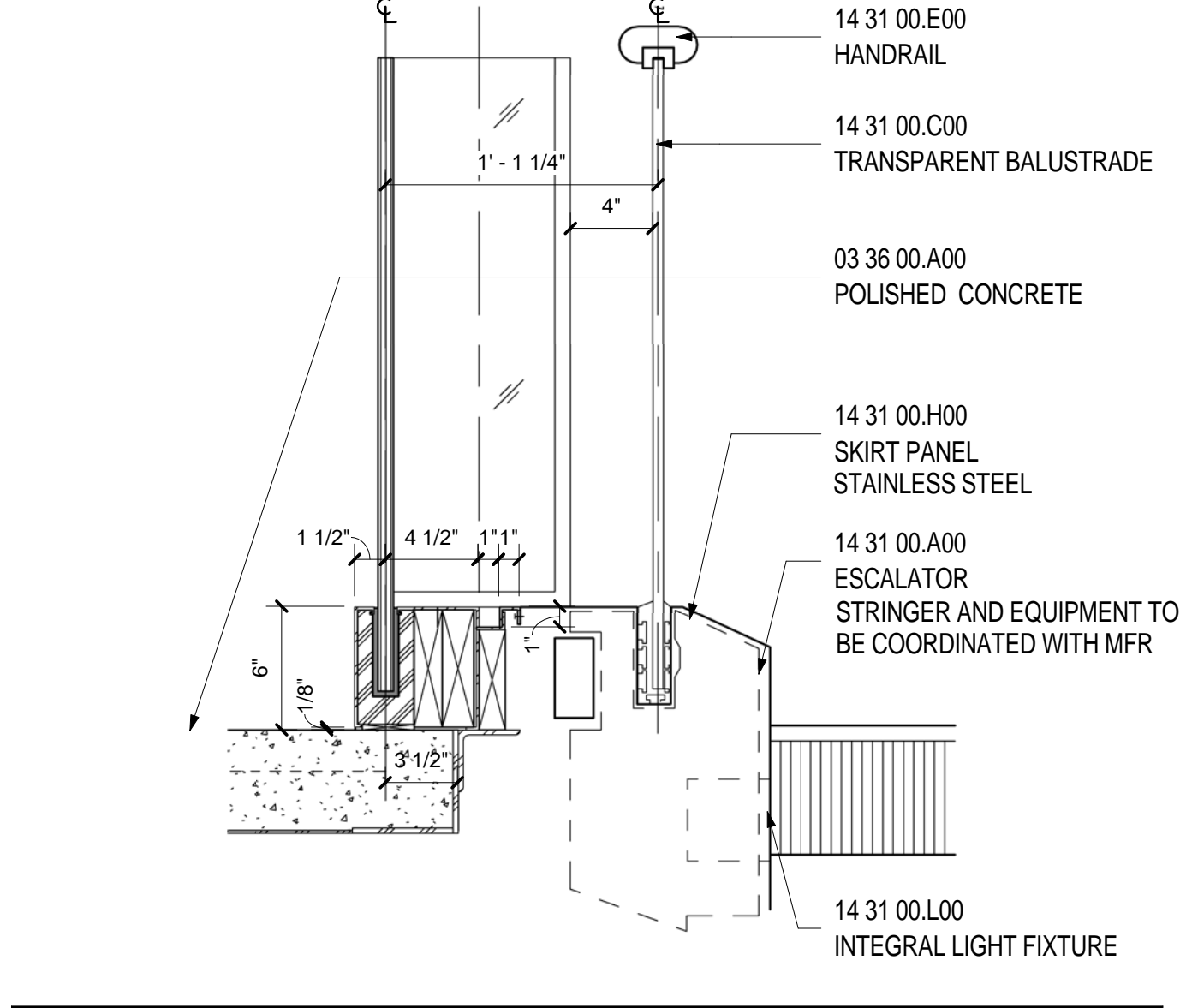
SECTION @ STAIR #15 @ GLASS 16
SCALE: 1/2" = 1'-0"
A10.21



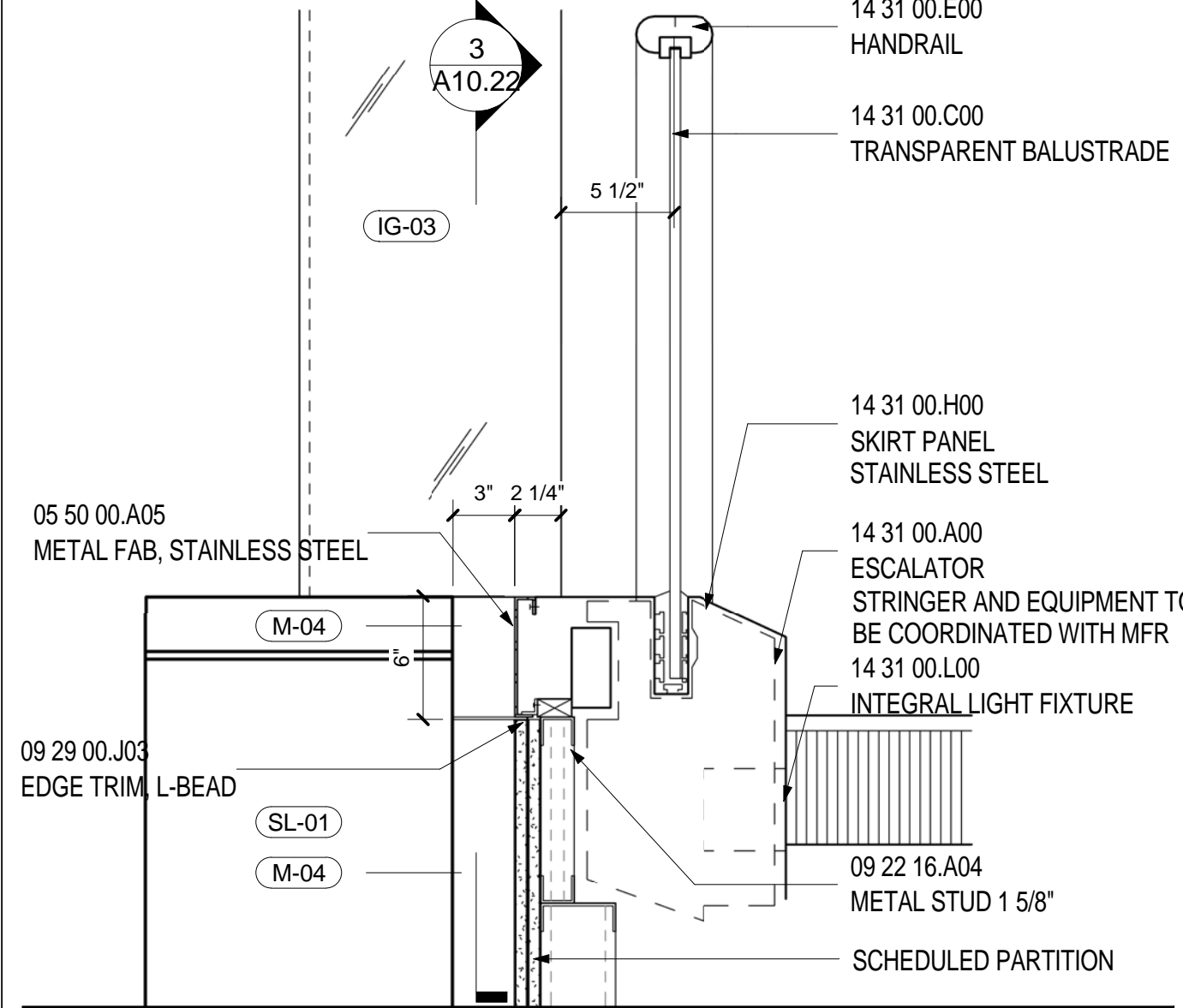
MONUMENTAL STAIR MID LANDING 12
SCALE: 1" = 1'-0"
A10.20



SECTION @ ESCL #3 & 4 RAIL/LANDING 7
SCALE: 1/2" = 1'-0"
A10.20



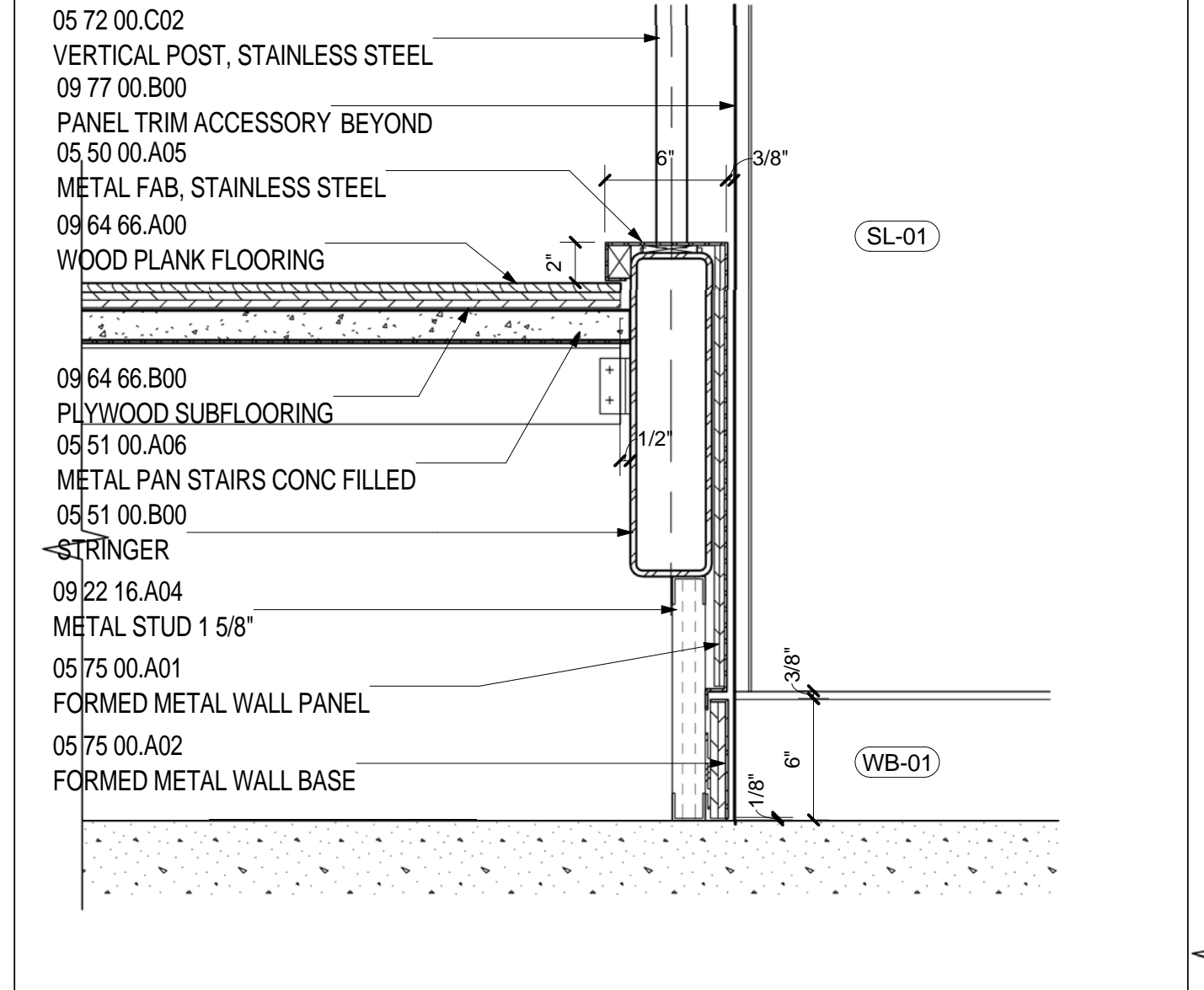
SECTION @ ESCL #6 RAIL/LANDING 2
SCALE: 1/2" = 1'-0"
A10.21



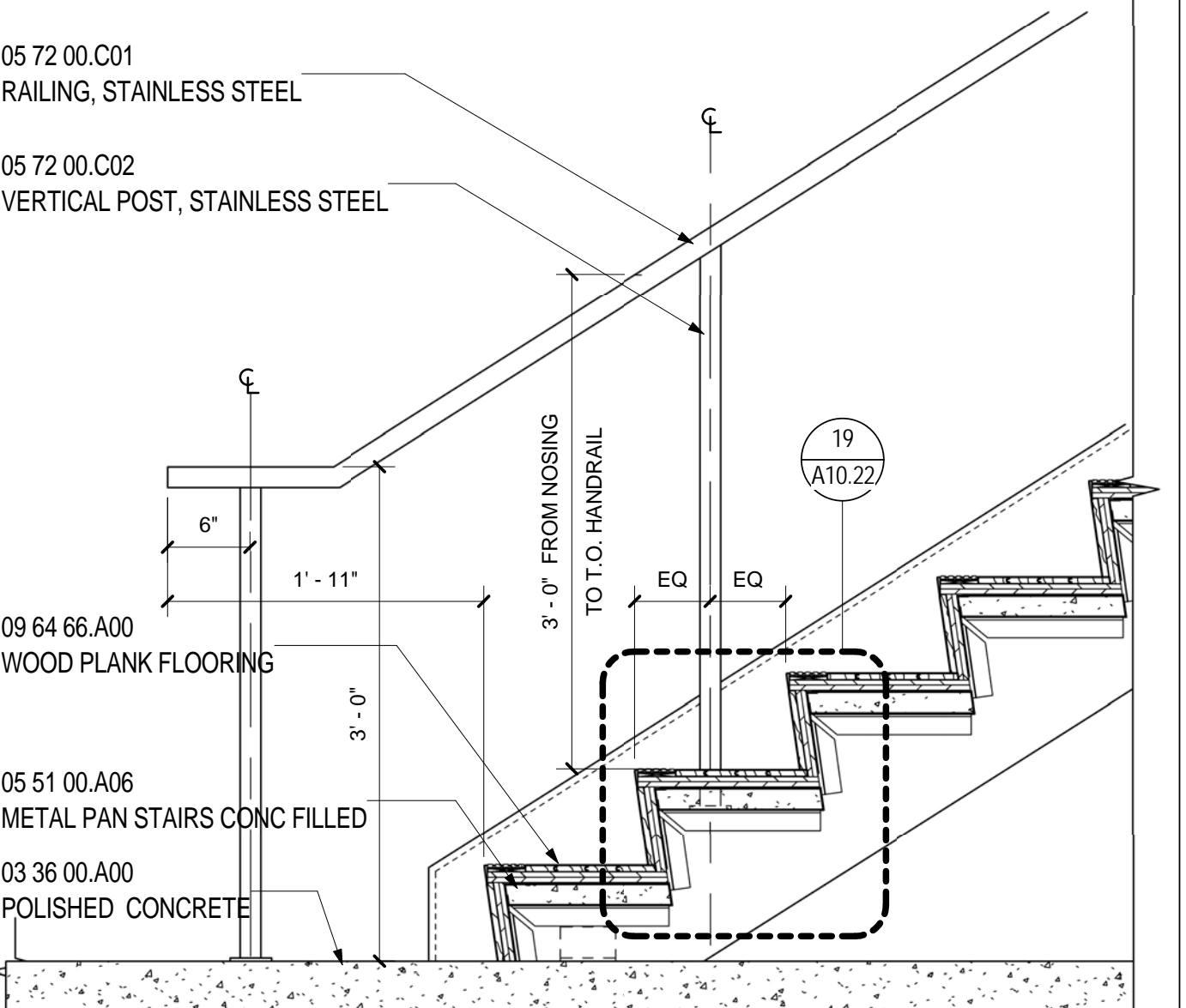
SECTION @ STAIR #15 SIDE 17
SCALE: 1/2" = 1'-0"
A10.21



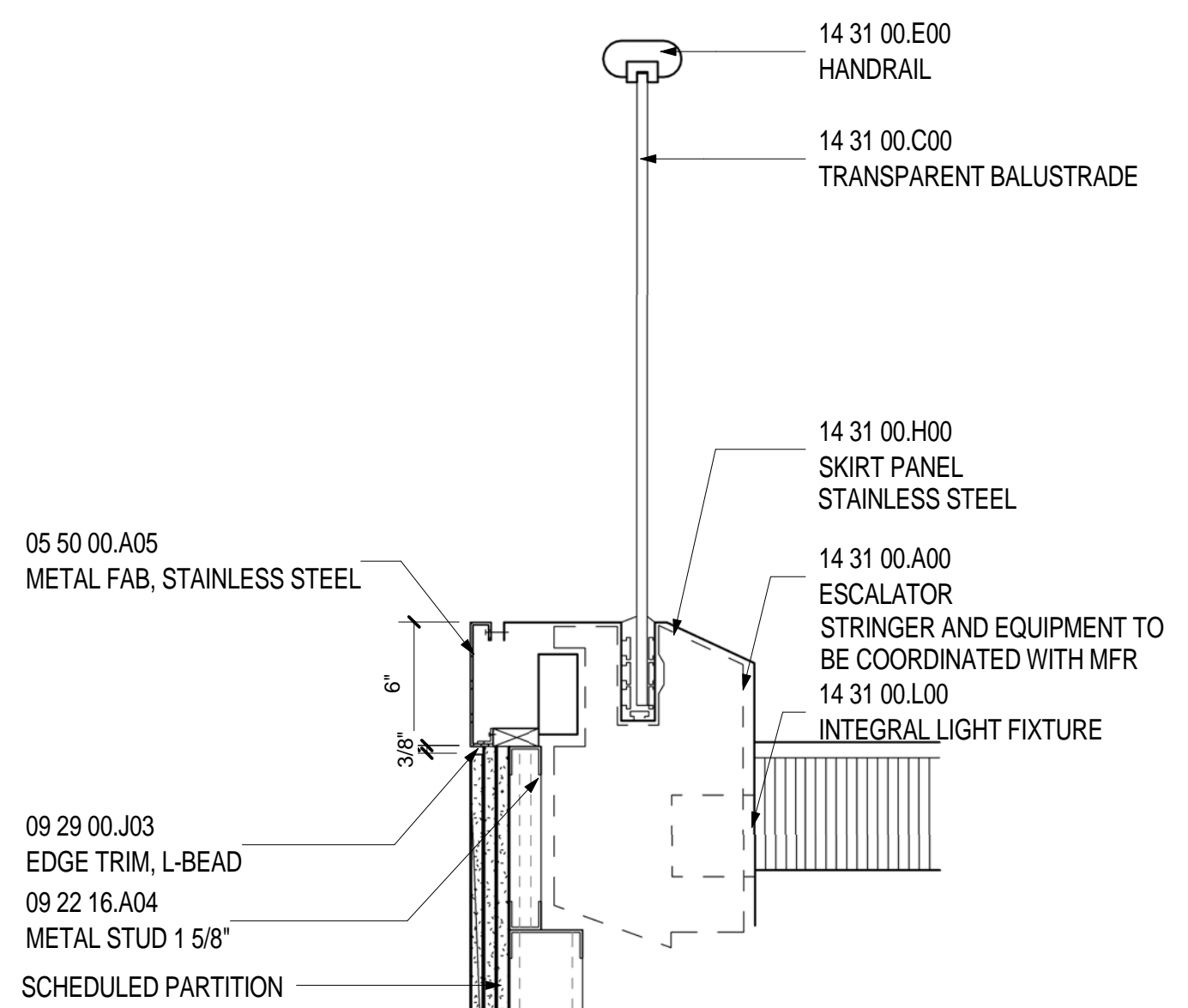
MONUMENTAL STAIR BOTTOM 13
SCALE: 1" = 1'-0"
A10.20



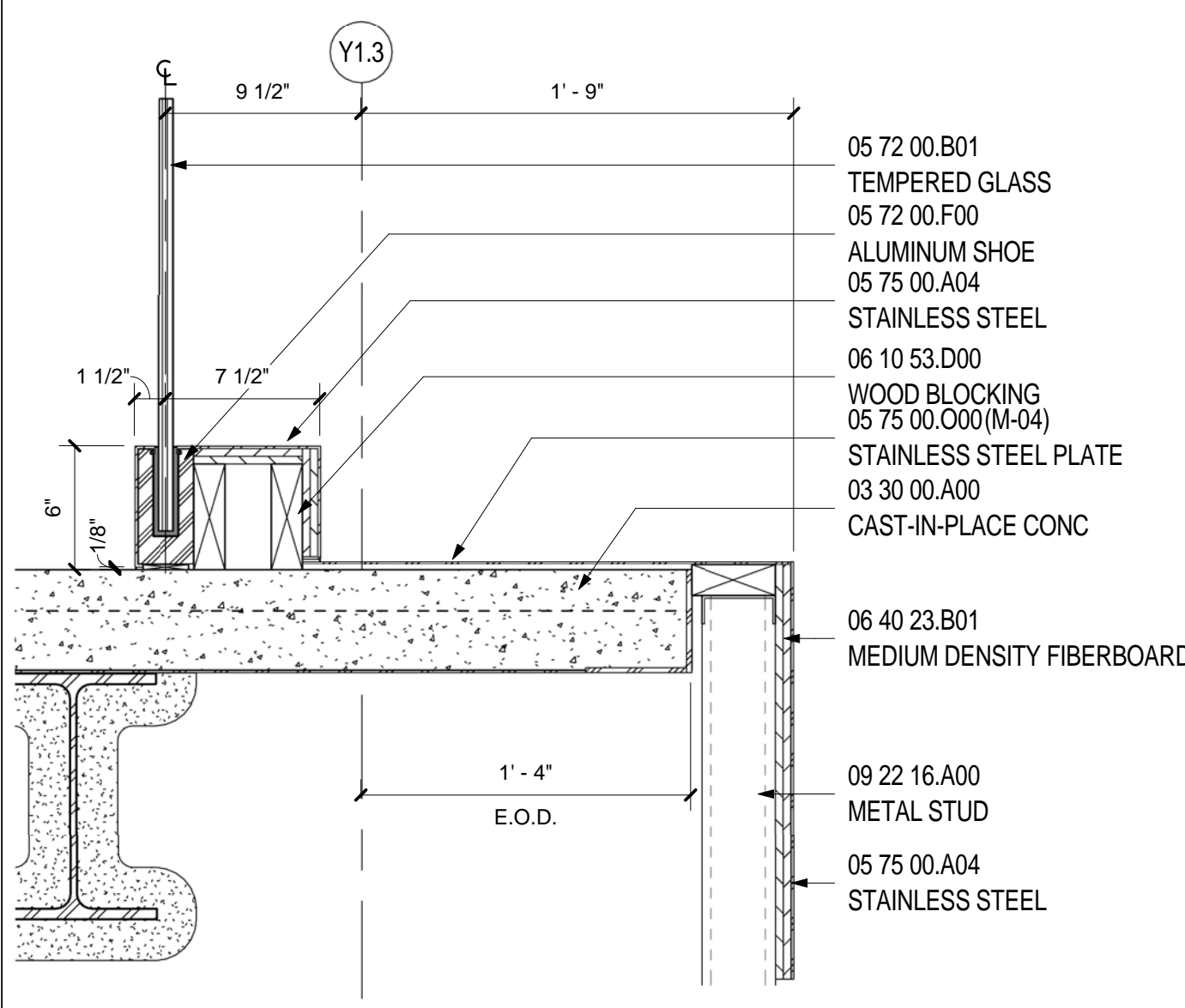
SECTION @ ESCL #3, 4 & 6 RAIL 8
SCALE: 1/2" = 1'-0"
A10.20



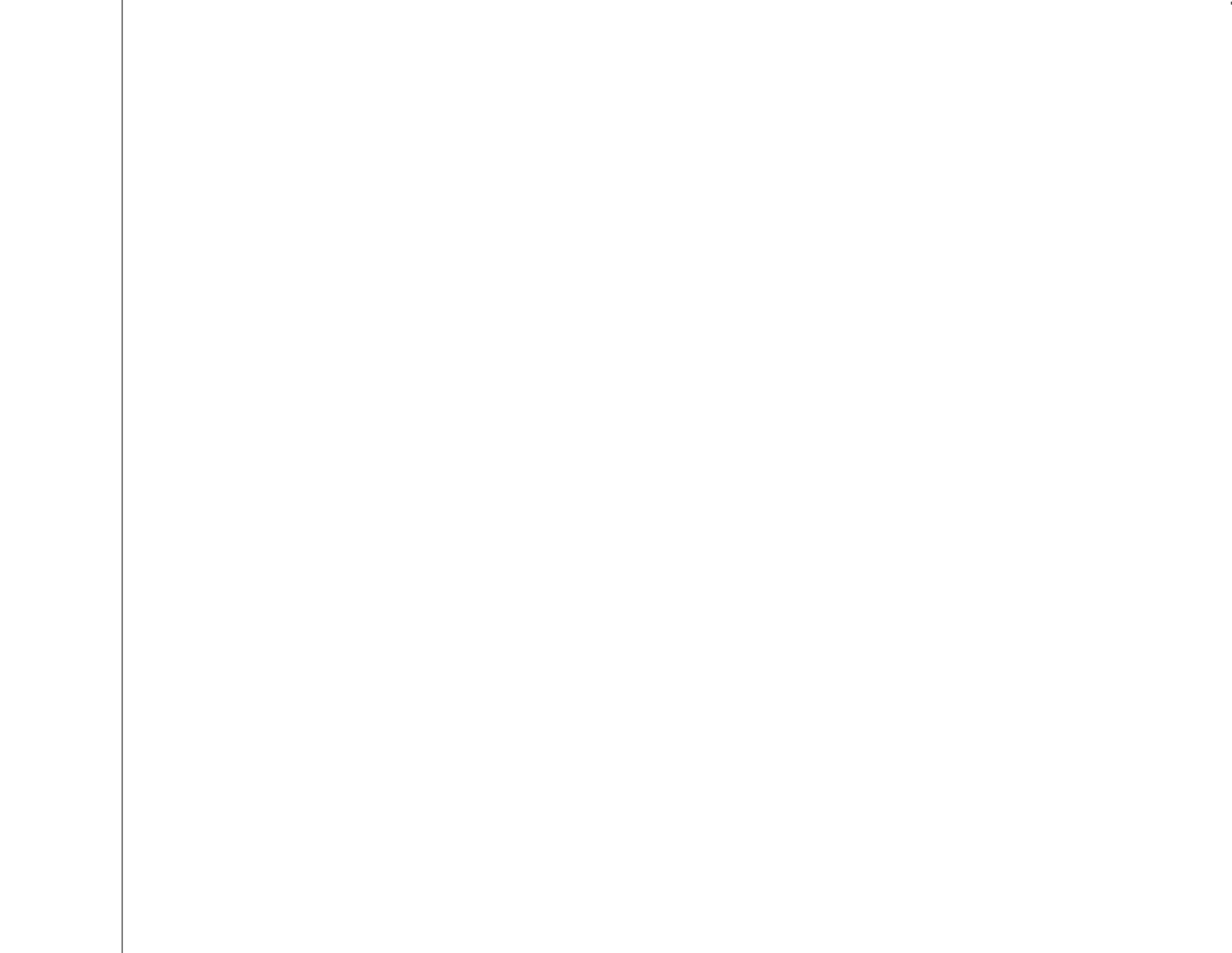
SECTION @ ESCL #6 REVEAL 3
SCALE: 1/2" = 1'-0"
A10.21



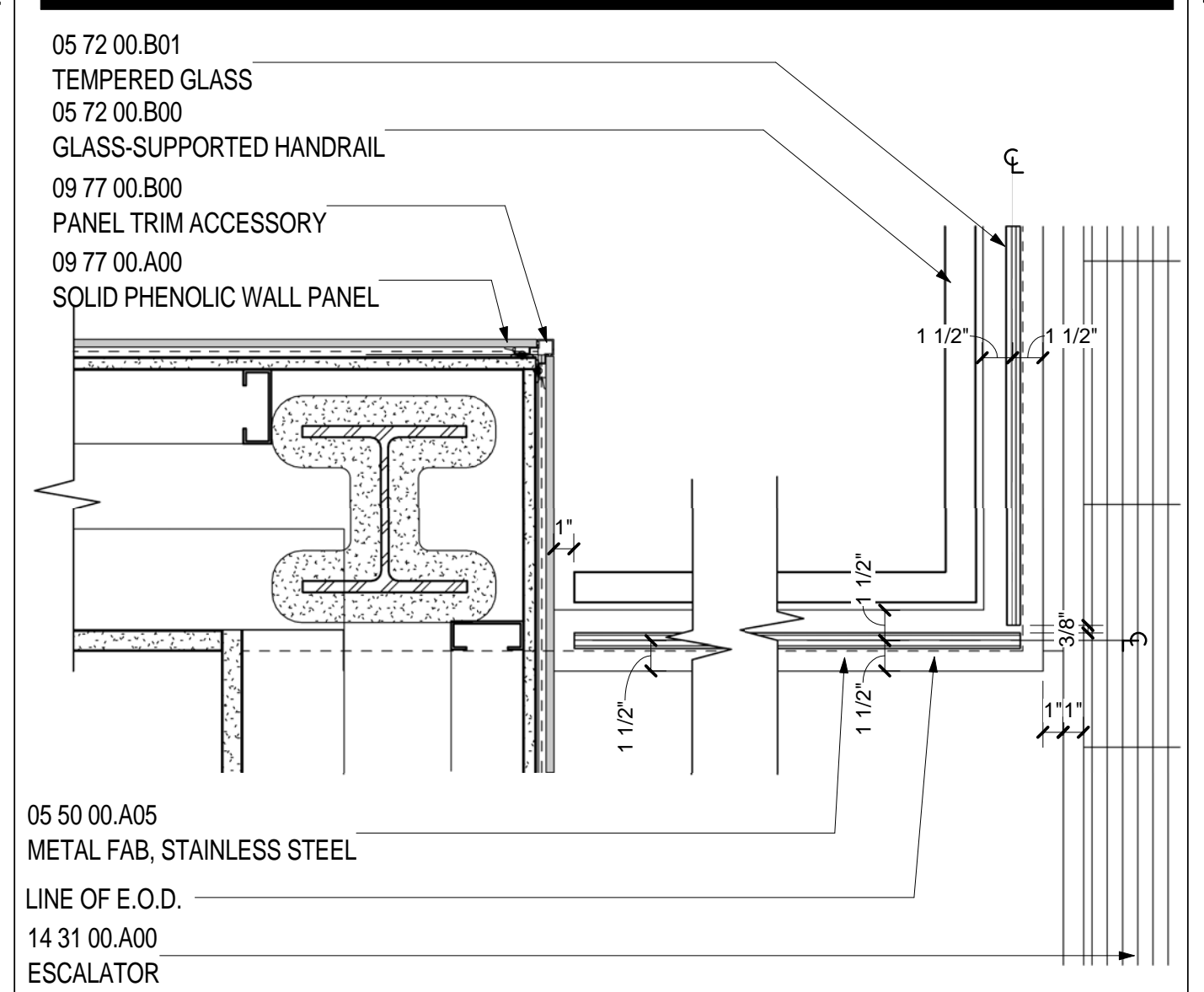
SECTION @ ESCL #5 RAIL/GLASS 9
SCALE: 1/2" = 1'-0"
A10.21



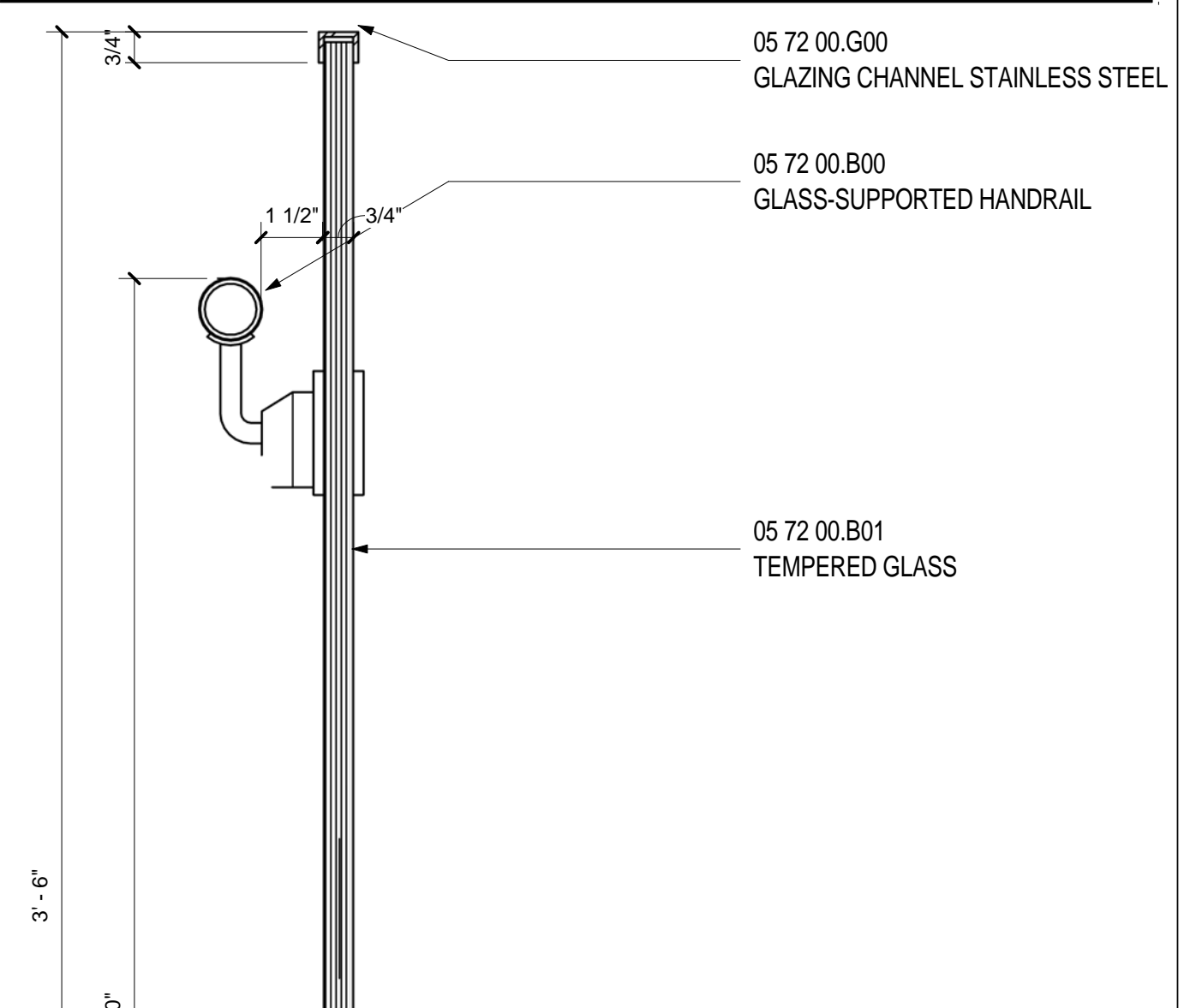
SECTION @ ESCL #5 RAIL 4
SCALE: 1/2" = 1'-0"
A10.21



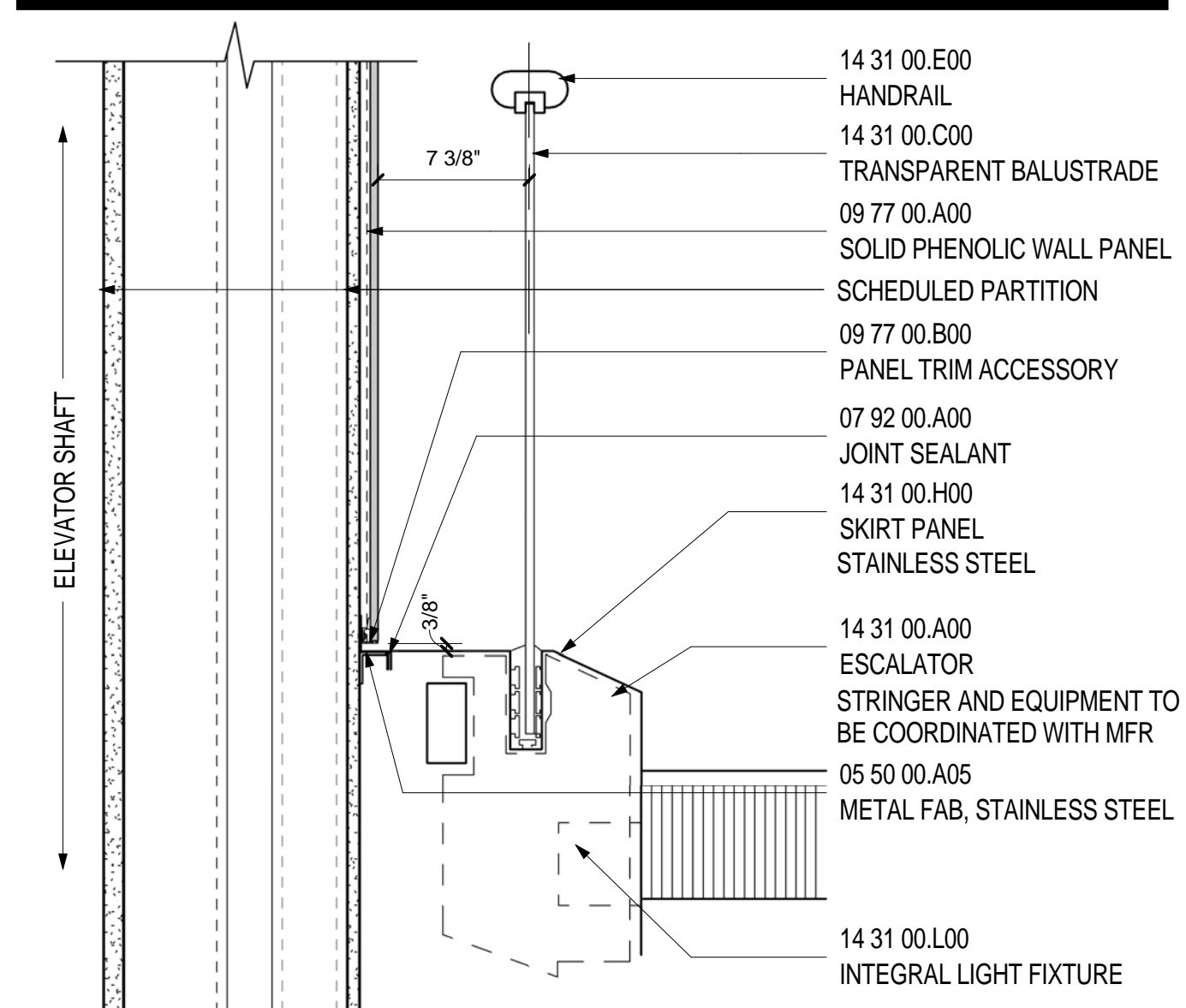
PLAN DETAIL @ GUARDRAIL 18
SCALE: 1/2" = 1'-0"
A10.21



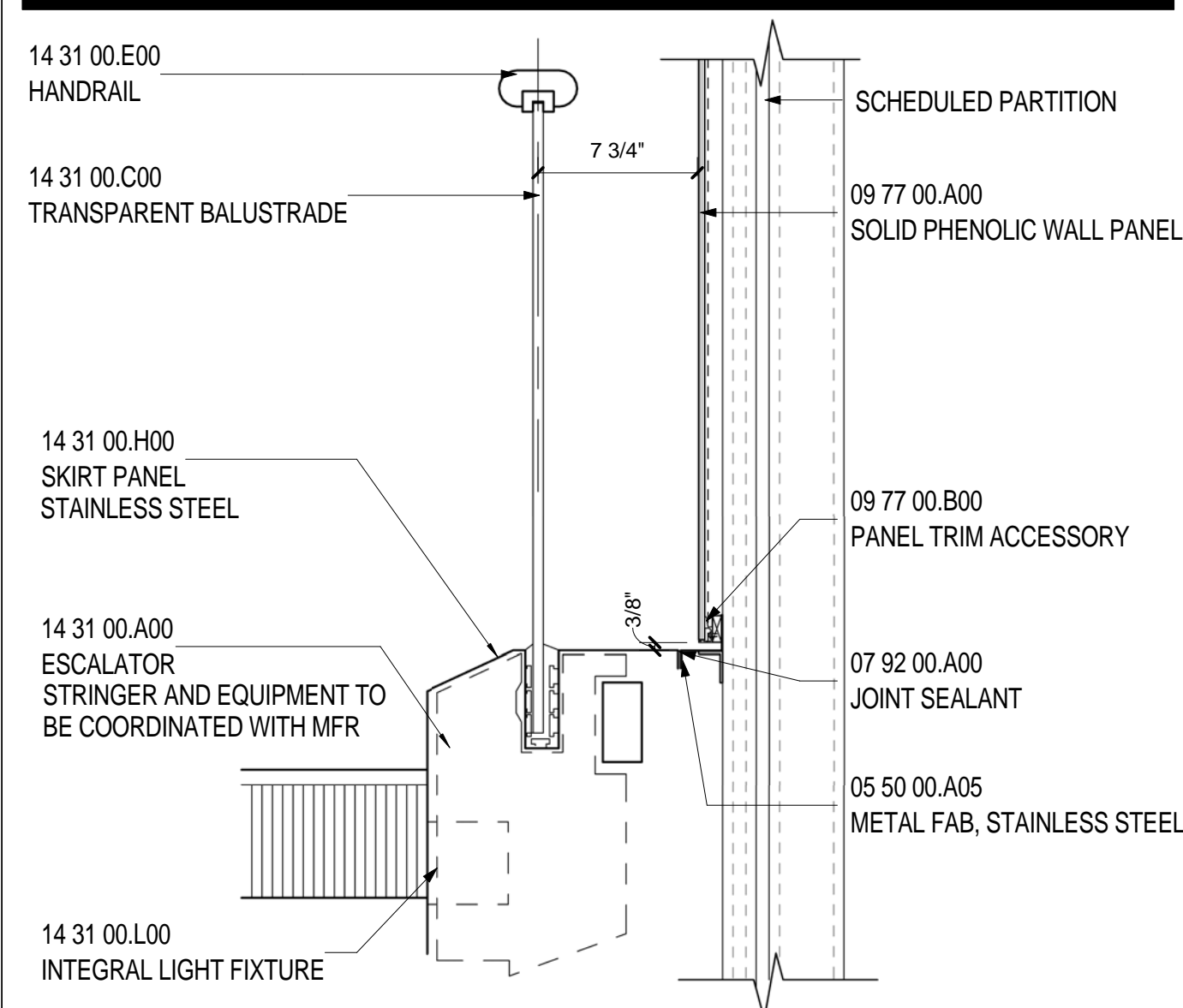
SECTION @ STAIR #15 SIDE 17
SCALE: 1/2" = 1'-0"
A10.21



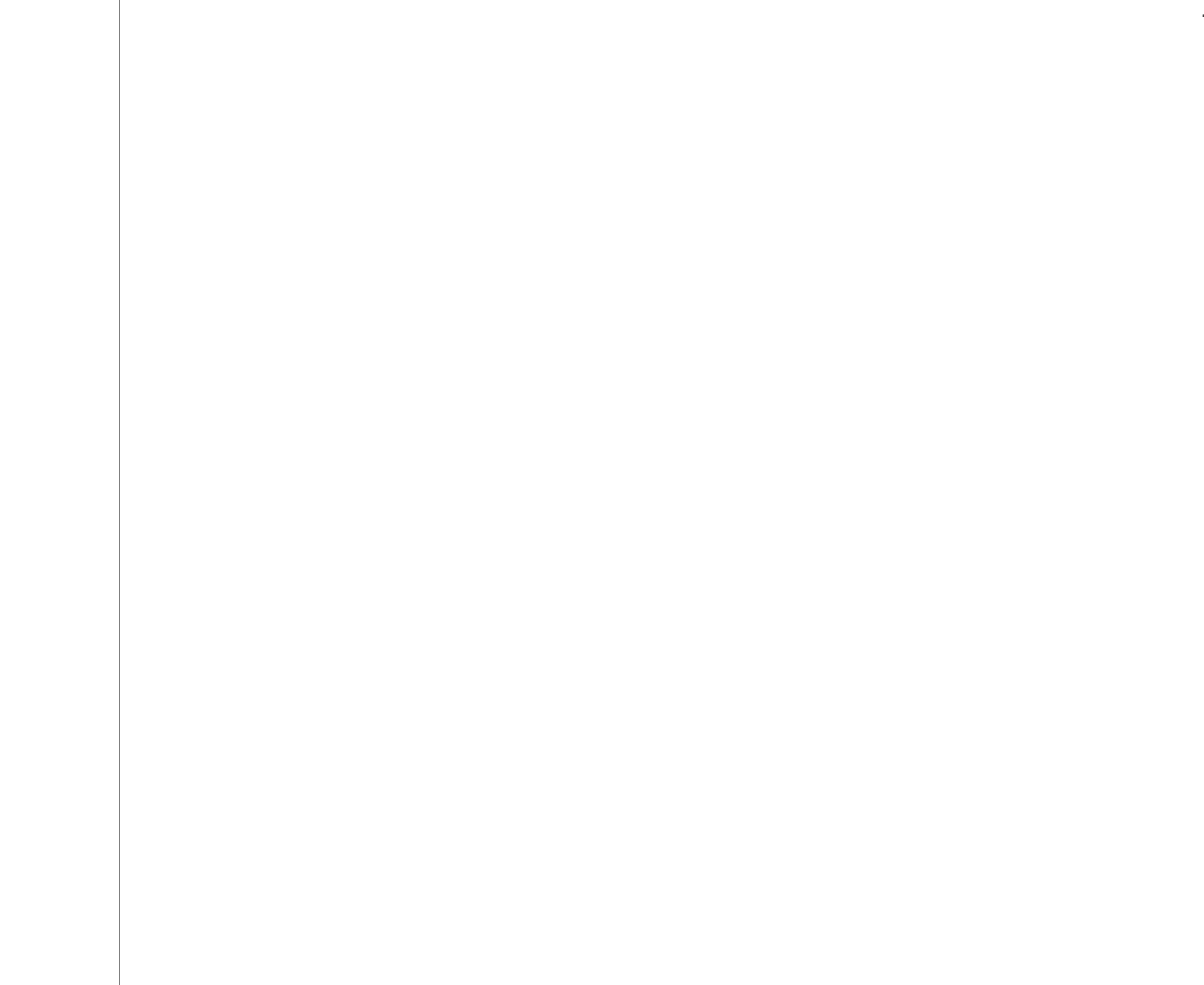
SECTION @ ESCL #5 RAIL 4
SCALE: 1/2" = 1'-0"
A10.21



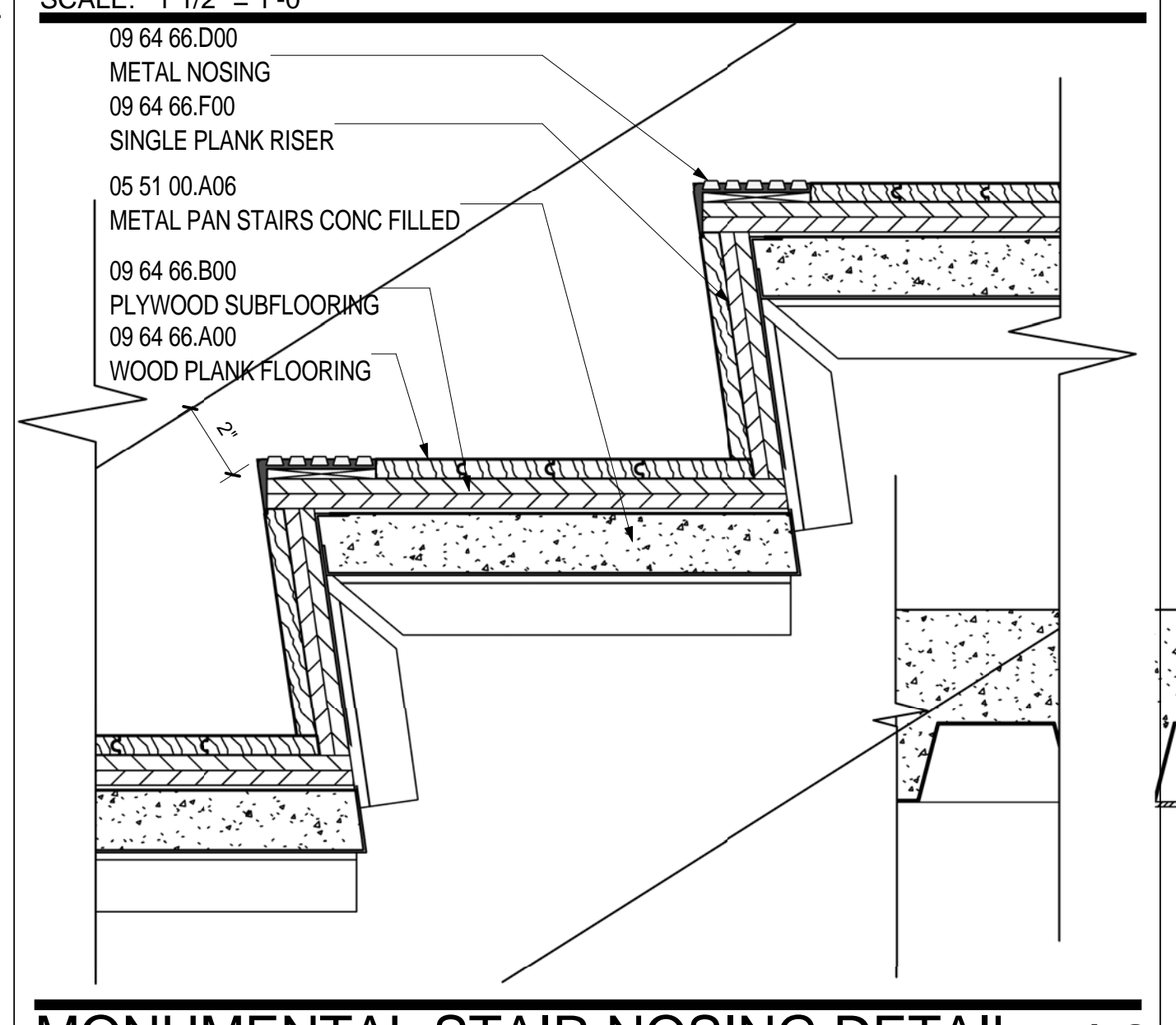
SECTION @ ESCL #5 RAIL/GLASS 9
SCALE: 1/2" = 1'-0"
A10.21



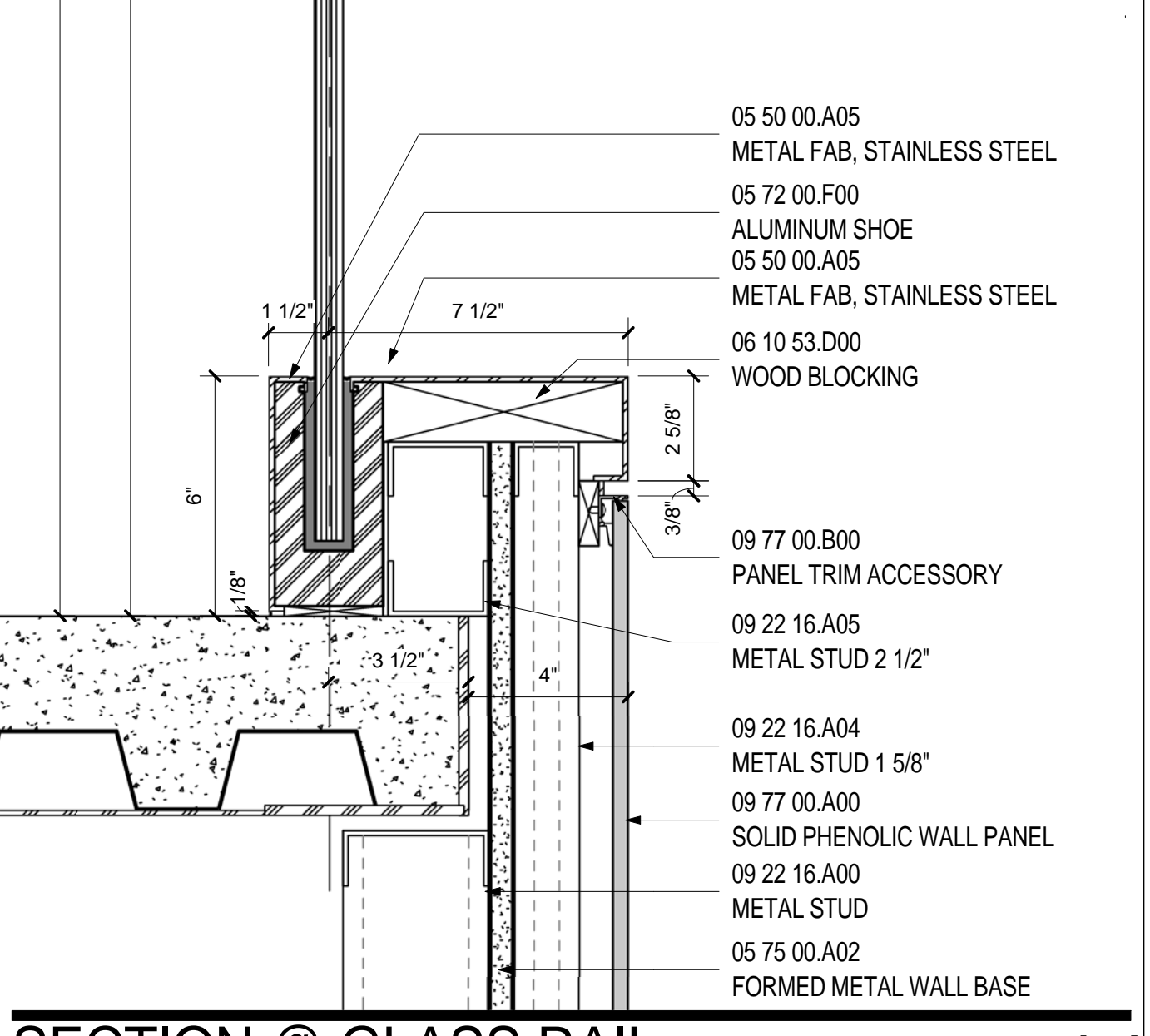
SECTION @ ESCL #5 RAIL 4
SCALE: 1/2" = 1'-0"
A10.21



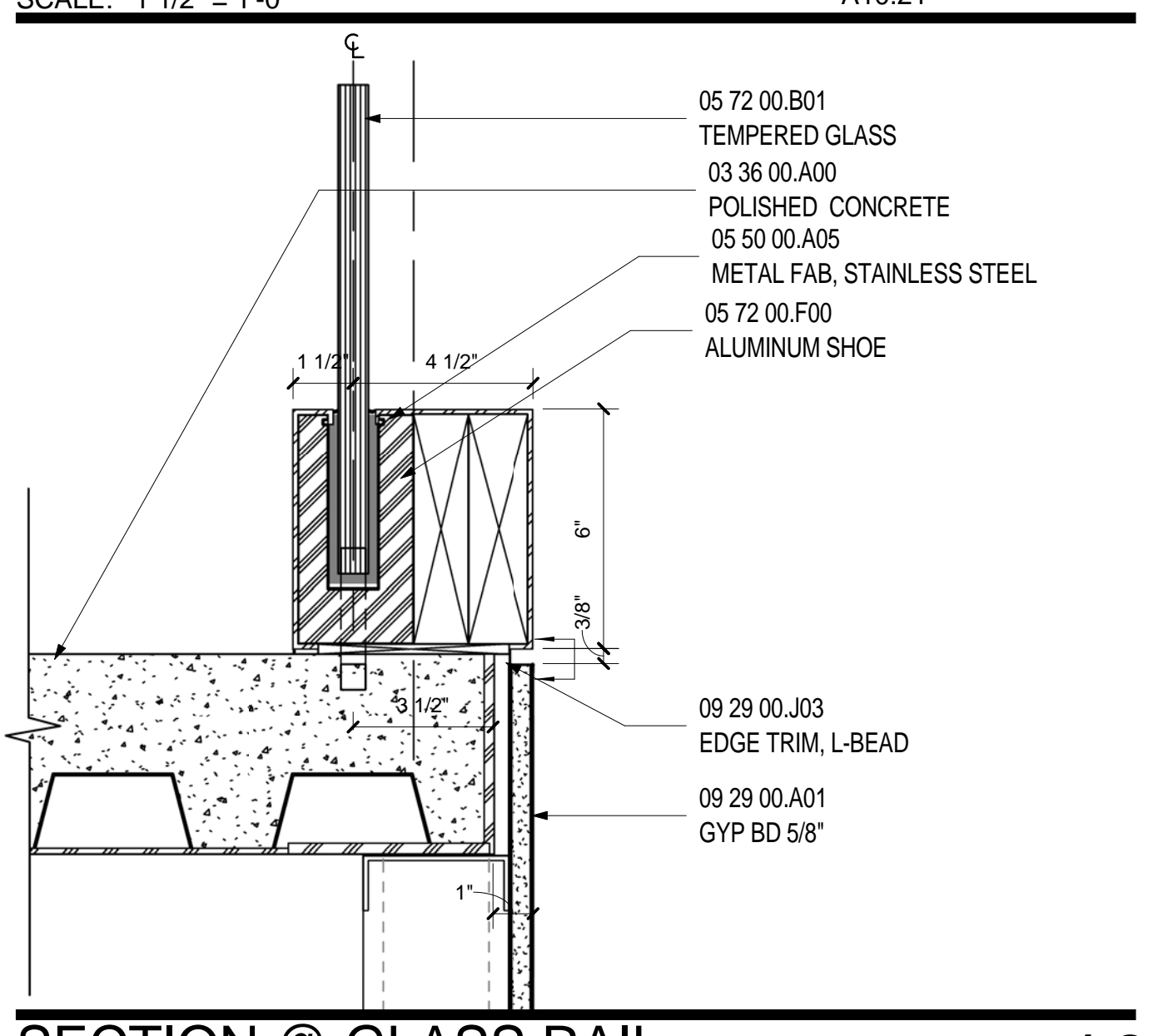
MONUMENTAL STAIR NOSING DETAIL 19
SCALE: 3" = 1'-0"
A10.22



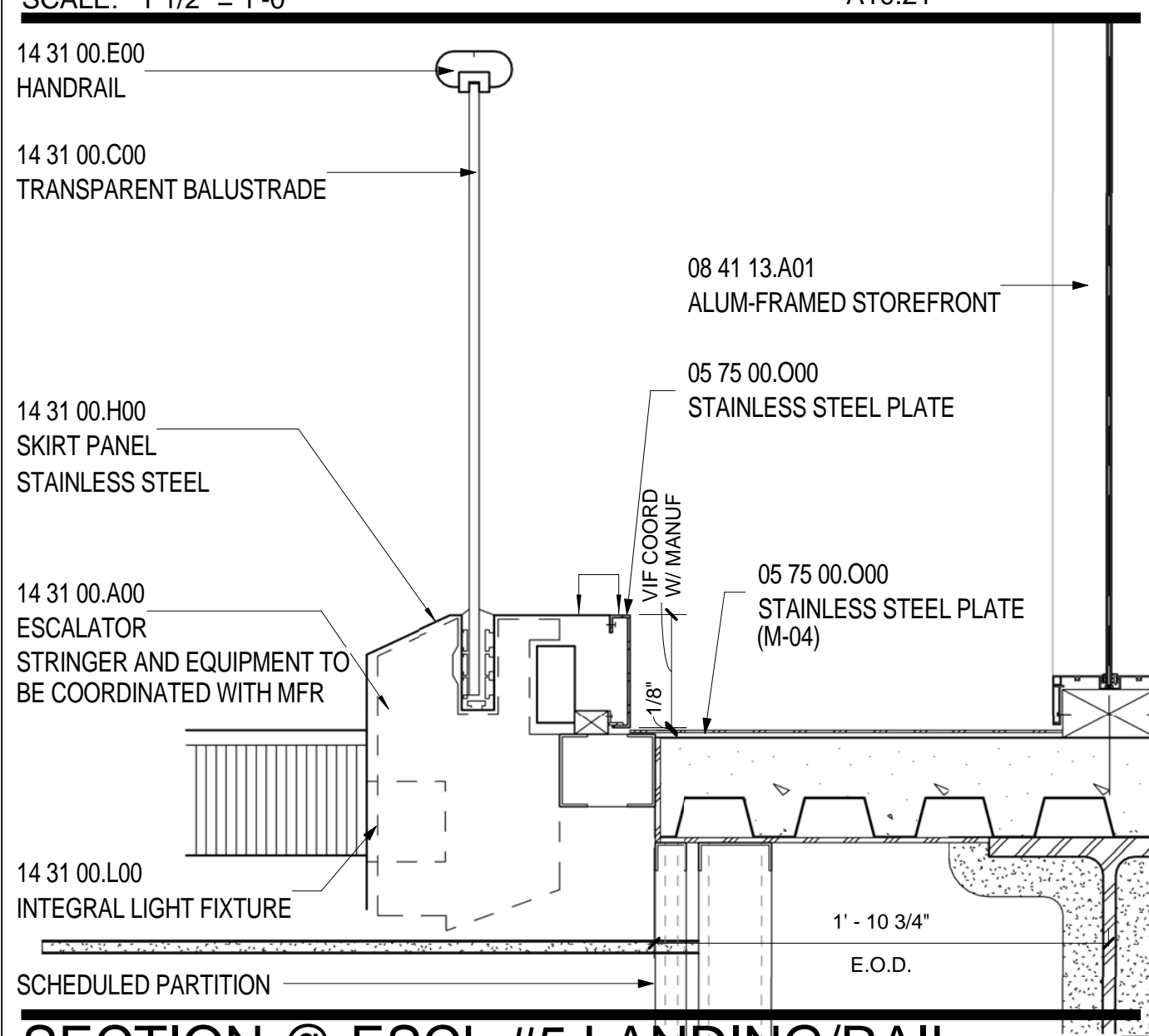
SECTION @ GLASS RAIL 14
SCALE: 3" = 1'-0"
A11.10



SECTION @ GLASS RAIL 10
SCALE: 3" = 1'-0"
A10.20



SECTION @ ESCL #5 LANDING/RAIL 5
SCALE: 1/2" = 1'-0"
A10.21



SECTION @ ESCL #5 LANDING/RAIL 5
SCALE: 1/2" = 1'-0"
A10.21

SHEET NOTES

14 31 00.E00 HANDRAIL
14 31 00.C00 TRANSPARENT BALUSTRADE
05 72 00.C02 VERTICAL POST, STAINLESS STEEL
14 31 00.H00 SKIRT PANEL STAINLESS STEEL
14 31 00.A00 ESCALATOR STRINGER AND EQUIPMENT TO BE COORDINATED WITH MFR
05 50 00.A05 METAL FAB, STAINLESS STEEL
09 64 66.A00 WOOD PLANK FLOORING
09 64 66.B00 PLYWOOD SUBFLOORING
05 51 00.A06 METAL PAN STAIRS CONC FILLED

GENERAL NOTES

10/26/09 ISSUED FOR PERMIT
145 09/11/11 ISSUED FOR CONSTRUCTION

Date Description
01/23/09 95% CONSTRUCTION DOCUMENTS
10/26/09 ISSUED FOR PERMIT
145 09/11/11 ISSUED FOR CONSTRUCTION

Seal/Signature
WILLIAM D. HOOPER
Professional Engineer
Maine State License No. 10000

Project Name
PJM Terminal Enhancement

Project Number
09.6395.000

Description
VERTICAL CIRCULATION - ESCALATOR DETAILS

Scale
As indicated

A10.22

© 2009 Gensler

Portland International Jetport
1001 Westbrook Street
Portland, Maine 04102

2020 K Street, Northwest
Suite 200
Washington DC 20006
Telephone 202.721.5200
Facsimile 202.872.8587

Gensler