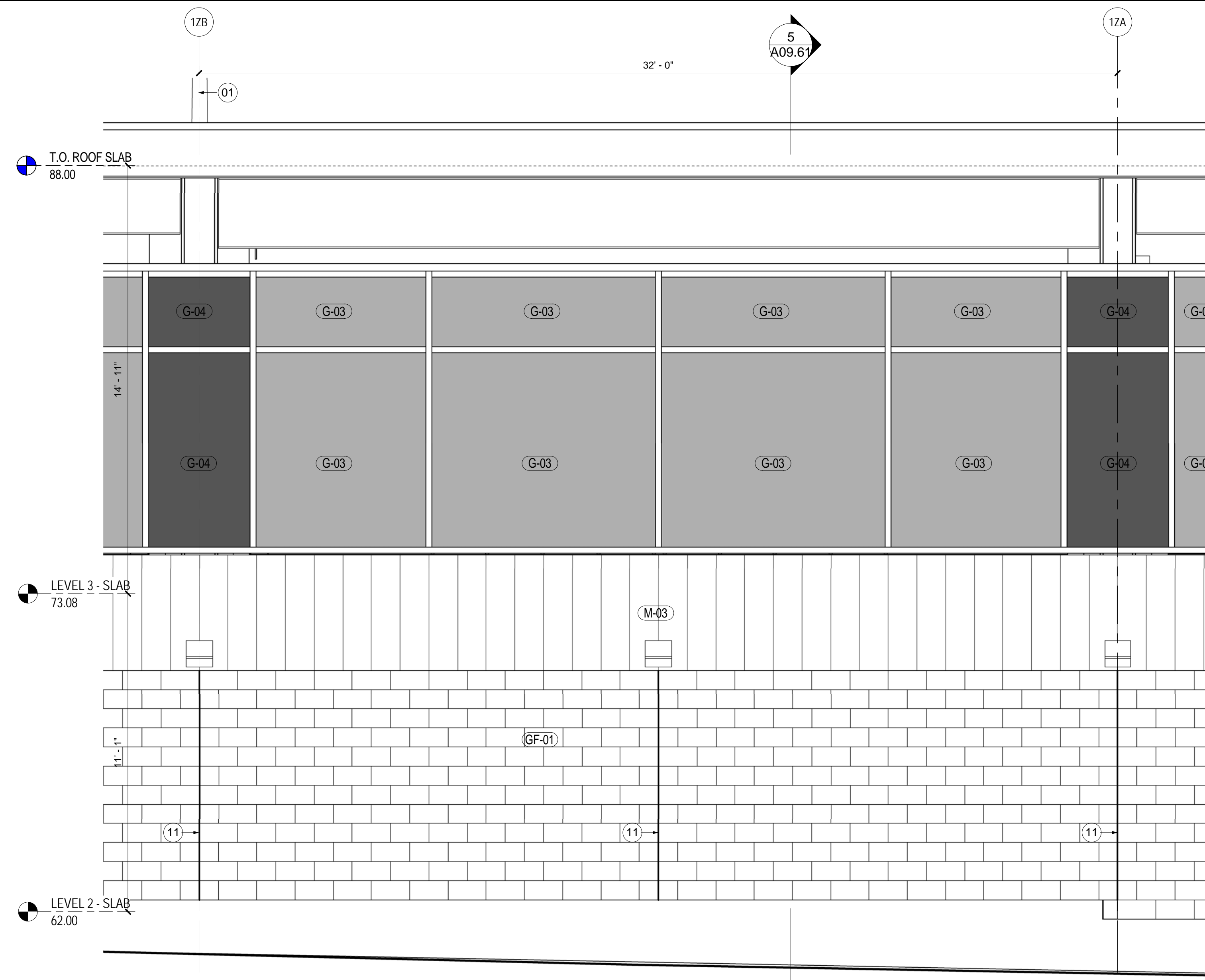


WALL TYPE E.1 - SECTION
SCALE: 3/8" = 1'-0"

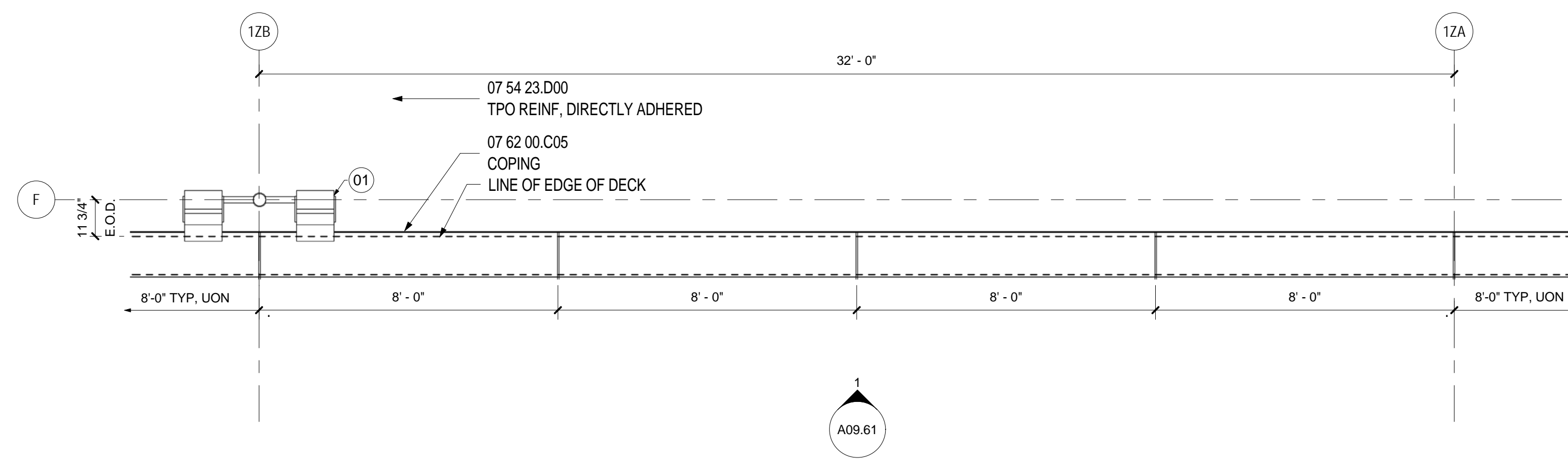
A09.61



WALL TYPE E.1 - ELEVATION

SCALE: 3/8" = 1'-0"

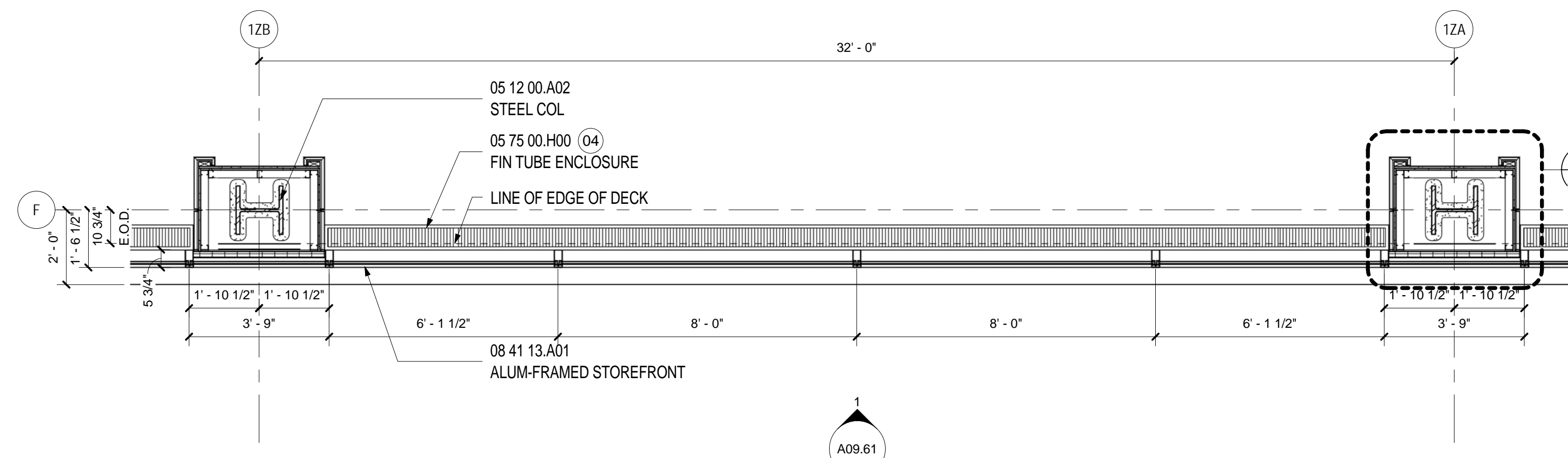
A09.01



WALL TYPE E.1 - PLAN ROOF

SCALE: 3/8" = 1'-0"

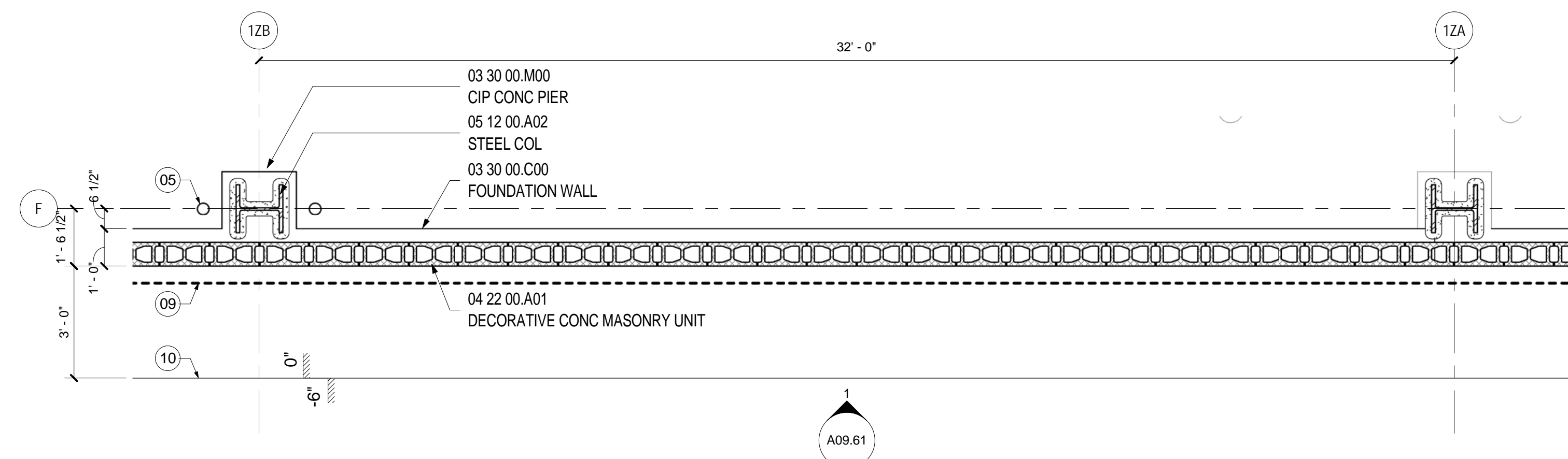
A02.RP.04



WALL TYPE E.1 - PLAN LEVEL 3

SCALE: 3/8" = 1'-0"

A02.03.02



WALL TYPE E.1 - PLAN LEVEL 2

SCALE: 3/8" = 1'-0"

A02.02.04

SHEET NOTES

- 01 APRON LIGHTING. RE: 10/A12.50 FOR ANCHOR DETAIL. RE: STRUCTURAL AND ELECTRICAL FOR MORE INFORMATION.
- 02 LINE OF CEILING. RE: A04 SERIES FOR MORE INFORMATION.
- 03 PASSENGER BOARDING BRIDGE. OWNER PROVIDED. INSTALLED BY CONTRACTOR
- 04 FIN TUBE ENCLOSURE. RE: MECHANICAL DRAWINGS FOR FIN TUBE INFORMATION.
- 05 RAIN LEADER WHERE OCCURS. REF: PLUMBING DRAWINGS FOR LOCATIONS.
- 06 EXPANSION JOINT
- 07 CONTRACTION/CONSTRUCTION JOINT. RE: STRUCTURAL DRAWINGS FOR MORE INFORMATION.
- 08 LOCATION OF PBB DISCONNECT SWITCH. RE: ELECTRICAL DRAWINGS FOR MORE INFORMATION.
- 09 LINE OF SOFFIT ABOVE
- 10 LINE OF SIDEWALK BELOW. RE: CIVIL DRAWINGS FOR MORE INFORMATION.
- 11 VERTICAL CONTROL JOINTS AT CMU 16' - 0" O.C. WITH COLUMN LINE
- 12 PIPE BOLLARD. RE: DETAIL 11/A12.15
- 13 TRASH COMPACTOR (BY OTHERS)
- 14 TRENCH DRAIN AT BOTTOM OF RAMP. RE: CIVIL DRAWINGS FOR MORE INFORMATION
- 15 RETAINING WALL. RE: CIVIL DRAWINGS FOR MORE INFORMATION.
- 16 PROVIDE STEEL TUBE GUARD RAIL 3' - 6" HIGH AT RETAINING WALLS FOR THE LENGTH OF THE WALL. VERTICALS TO BE 4'-0" O.C. AND SLEEVED INTO CONCRETE RETAINING WALL. RE: DETAIL 14/A10.04 FOR SIMILAR GUARD RAIL DETAIL.

Portland International
Jetport

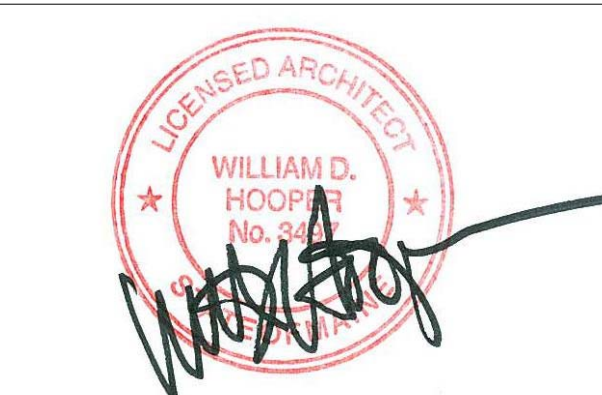
1001 Westbrook Street
Portland, Maine 04102

Gensler

2020 K Street, Northwest
Suite 200
Washington DC 20006
Telephone 202.721.5200
Facsimile 202.872.8587

Date	Description
12/03/08	75% CONSTRUCTION DOCUMENTS
01/23/09	95% CONSTRUCTION DOCUMENTS
10/26/09	ISSUED FOR PERMIT
145 09/01/11	ISSUED FOR CONSTRUCTION

Seal/Signature



Project Name
PWM Terminal Enhancement

Project Number
09.6395.000

Description
WALL TYPE E.1

Scale
3/8" = 1'-0"

A09.61

© 2009 Gensler