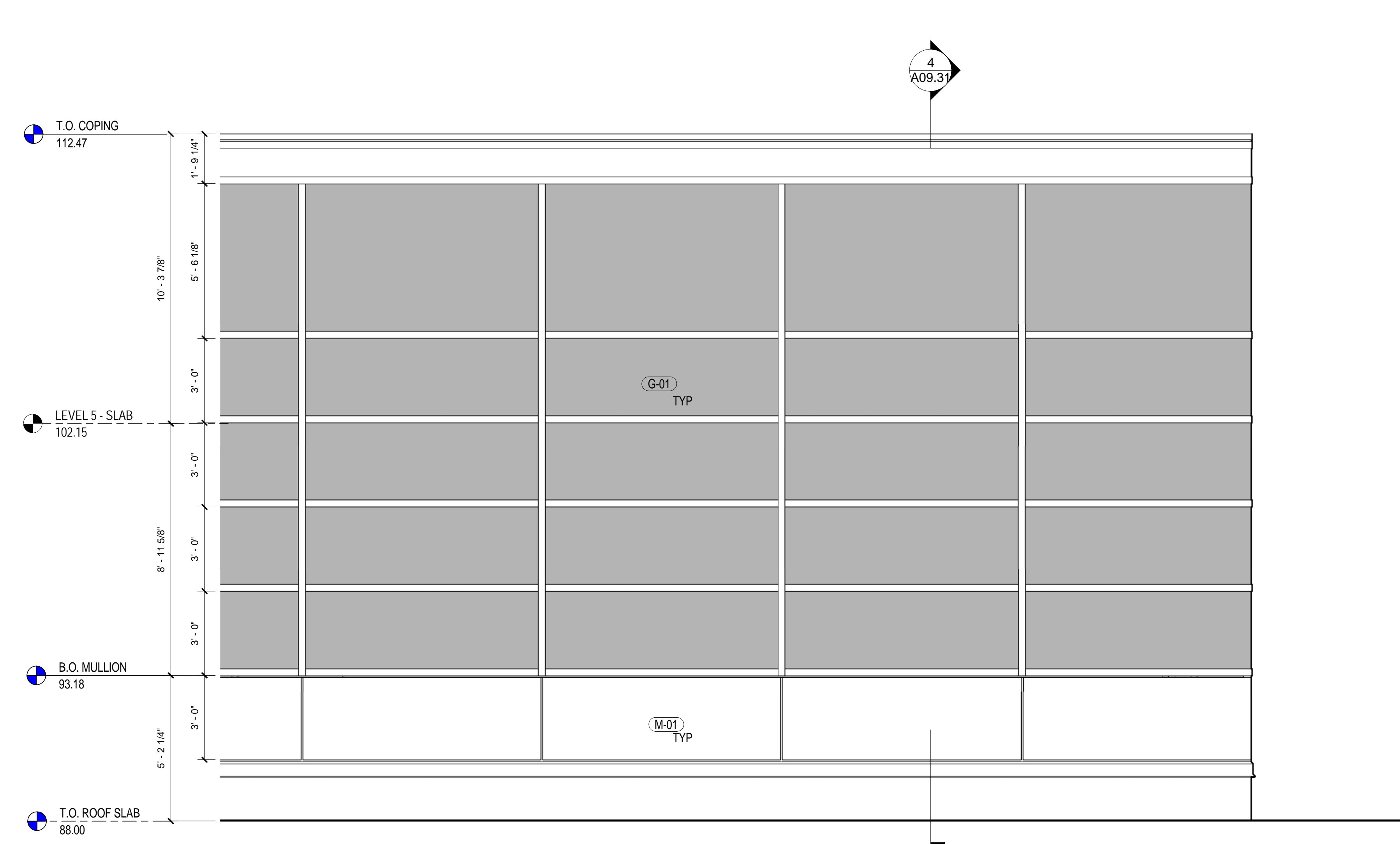
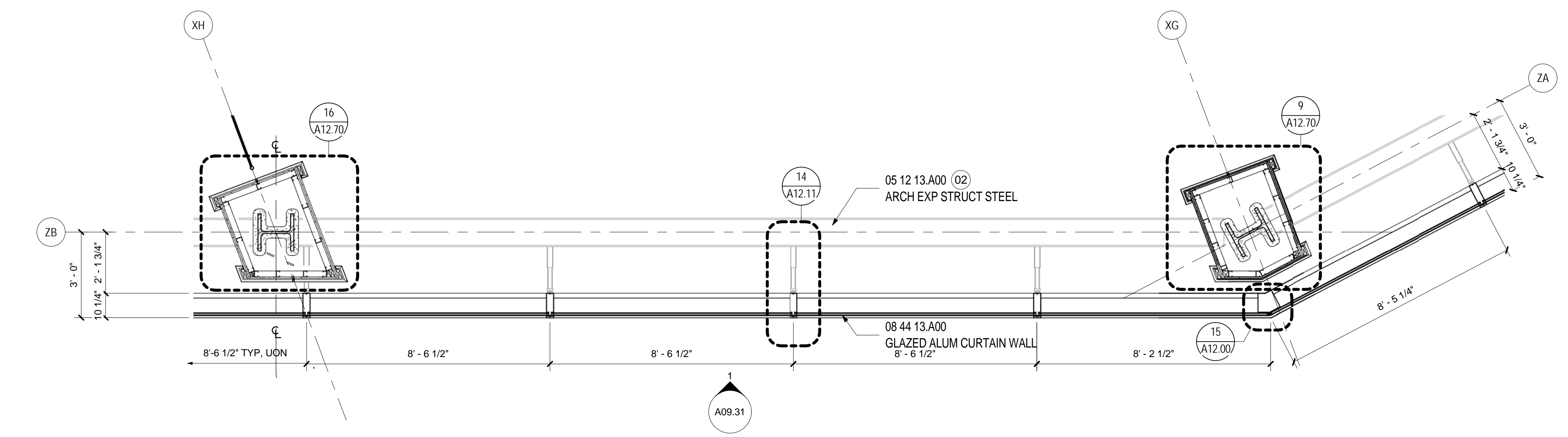


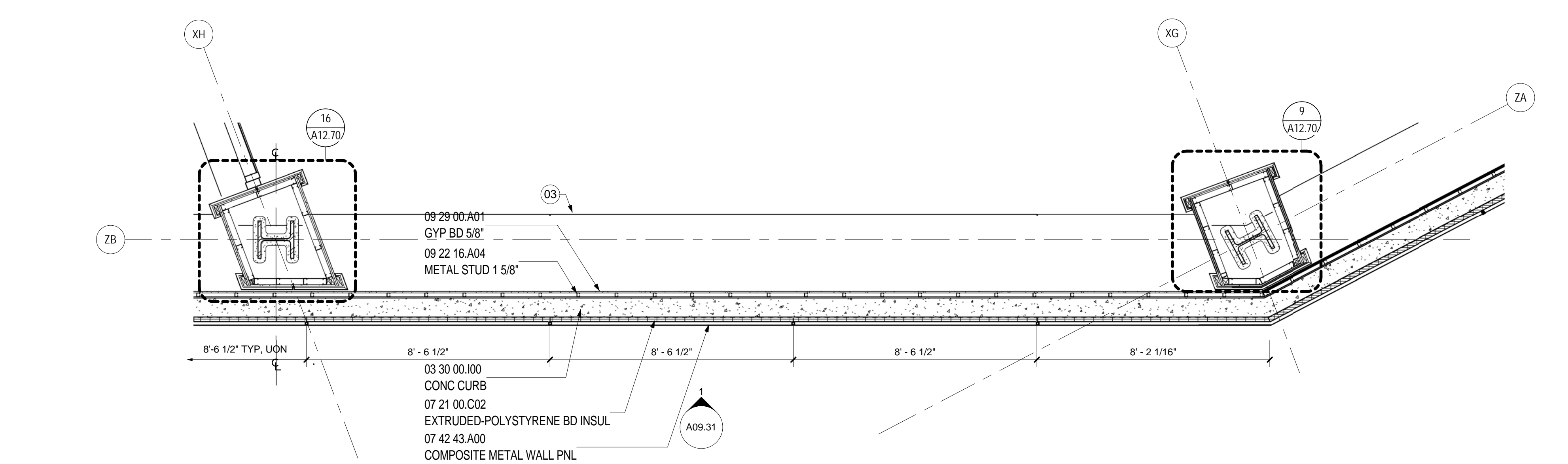
WALL TYPE B.2 - SECTION
SCALE: 3/8" = 1'-0"
A09.30



WALL TYPE B.2 - ELEVATION
SCALE: 3/8" = 1'-0"
A09.02



WALL TYPE B.2 - PLAN LEVEL 5
SCALE: 3/8" = 1'-0"
A02.05.04



WALL TYPE B.2 - PLAN LEVEL 4
SCALE: 3/8" = 1'-0"
A02.04.04

SHEET NOTES

- 01 EXTRUDED ALUMINUM EXTENSION CAPPED MULLION
- 02 EXPOSED STEEL TO RECEIVE INTUMESCENT FIRE-RESISTANT COATING & FINISHES AS SCHEDULED
- 03 LINE OF GYPSUM BOARD LEDGE BELOW
- 04 SCHEDULED LIGHT FIXTURE.
- 05 PROVIDE END CAP AT MULLION EXTENSION
- 06 CAP END OF FIN TUBE ENCLOSURE.

GENERAL NOTES

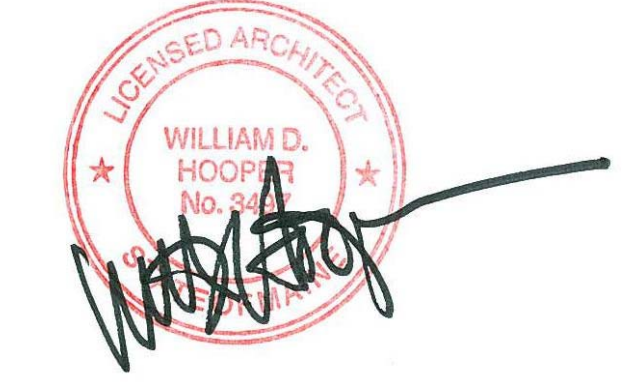
A RE: FINISH SCHEDULE & PROJECT MANUAL FOR MULLION FINISH ASSOCIATED W/ GLAZING UNIT.

Portland International Jetport
1001 Westbrook Street
Portland, Maine 04102

Gensler
2020 K Street, Northwest
Suite 200
Washington, DC 20006
Telephone: 202.721.5200
Facsimile: 202.872.8587

Date	Description
09/22/08	DESIGN DEVELOPMENT
12/03/08	75% CONSTRUCTION DOCUMENTS
01/23/09	95% CONSTRUCTION DOCUMENTS
10/26/09	ISSUED FOR PERMIT
145 09/01/11	ISSUED FOR CONSTRUCTION

Seal/Signature



Project Name
PWM Terminal Enhancement

Project Number
09.6395.000

Description
WALL TYPE B.2

Scale
As indicated

A09.31

© 2009 Gensler