

LIGHTING

	2x4 FIXTURE ASSOCIATED CONTROL DEVICE FIXTURE TYPE (SEE LIGHT FIXTURE SCHEDULE)
	1x4 FIXTURE
	2x2 FIXTURE
	FIXTURE WIRED TO UNSWITCHED NORMAL CIRCUIT
	FIXTURE WIRED TO UNSWITCHED EMERGENCY CIRCUIT
	FIXTURE WIRED TO SWITCHED EMERGENCY CIRCUIT
	DOWN LIGHT
	INDUSTRIAL STRIP
	WALL MOUNTED FIXTURES
	TRACK LIGHTING
	POLE MOUNTED SITE LIGHTING FIXTURE FIXTURE TYPE (SEE LIGHT FIXTURE SCHEDULE)
	FLOOD LIGHT
	WALL WASH LIGHT FIXTURE
	EXIT SIGN, CEILING MOUNTED ARROW INDICATES EGRESS DIRECTION SHADING INDICATES SIGN FACE
	EXIT SIGN, WALL MOUNTED SHADING INDICATES SIGN FACE
	DUAL HEAD EMERGENCY LIGHT BATTERY PACK TD - TIME DELAY RESET
	REMOTE EMERGENCY LIGHTING HEAD
	WALL PACK
	S ₃ 3-WAY TOGGLE SWITCH
	S _a SINGLE POLE TOGGLE SWITCH INDICATES CONTROLLED FIXTURE
	S ₄ 4-WAY TOGGLE SWITCH
	S ₁₁ DUAL LEVEL SWITCHING
	S _D DIMMER SWITCH, INCANDESCENT OR FLUORESCENT AS REQUIRED.
	S _P TOGGLE SWITCH WITH PILOT LIGHT
	S _T TIMER SWITCH, SPRING WOUND
	S _{DT} SINGLE POLE DOUBLE THROW TOGGLE SWITCH, CENTER POSITION OFF
	S _{WP} WEATHER PROOF
	S _{XP} EXPLOSION PROOF
	S _{OS} OCCUPANCY SENSOR SWITCH
	a OCCUPANCY SENSOR a INDICATES CONTROLLED FIXTURE INDICATES AIMING DIRECTION
	OSR OCCUPANCY SENSOR RELAY
	DS DAYLIGHT SENSOR LIGHTS CONTROLLED BY SENSOR

COMMUNICATION & DATA SYSTEMS

	TELEPHONE SYSTEM WALL JACK W-INDICATES WALL MOUNTED AT 60" AFF P-INDICATES PAYPHONE (2)-INDICATES 2 OUTLETS, SINGLE BOX
	DATA SYSTEM OUTLET
	COMBINATION VOICE/DATA SYSTEM OUTLET D-DATA LINE V-VOICE LINE I-TV VIDEO LINE
	UNDERFLOOR TELEPHONE SYSTEM OUTLET
	UNDERFLOOR DATA SYSTEM OUTLET
	UNDERFLOOR VOICE & DATA OUTLET
	CATV CABLE TELEVISION SYSTEM OUTLET. MOUNT 18" AFF UNLESS OTHERWISE NOTED
	CCTV CLOSED CIRCUIT TELEVISION OUTLET. MOUNT 18" AFF UNLESS OTHERWISE NOTED
	PA PAGING SYSTEM CONTROL PANEL AND PAGING AMPLIFIER
	PAGING SYSTEM SPEAKER, CEILING MOUNTED
	PAGING SYSTEM SPEAKER, WALL MOUNT AT 7'-6" AFF 1. FLUSH, 2. SURFACE, 3. HORN, 4. DUAL HORN
	VC VOLUME CONTROL
	HC INTERCOM SYSTEM HAND KEY
	CS CLOCK SPEAKER
	HS INTERCOM SYSTEM HAND SET
	WC WALL MOUNTED CLOCK
	CD CEILING MOUNTED DATA SYSTEM OUTLET

POWER

	(4) NON-FUSED SAFETY SWITCH AMPERE RATING NEMA ENCLOSURE RATING
	(4) FUSED SAFETY SWITCH, TOP NUMBER INDICATES SWITCH AMPERE RATING, LOWER NUMBER INDICATES FUSE RATING NEMA ENCLOSURE
	MAGNETIC MOTOR STARTER, FVNR UNLESS INDICATED OTHERWISE NEMA ENCLOSURE RATING NEMA SIZE (TYPICAL)
	COMBINATION CIRCUIT BREAKER/MAGNETIC MOTOR STARTER FIRST NUMBER INDICATES CIRCUIT BREAKER AMPERE RATING SECOND NUMBER INDICATES NEMA STARTER SIZE
	COMBINATION FUSED DISCONNECT/MAGNETIC MOTOR STARTER NUMBERS INDICATE DISCONNECT AMPERE RATING/FUSE RATING/NEMA STARTER SIZE
	NON-FUSED DISCONNECT/MAGNETIC MOTOR STARTER FIRST NUMBER INDICATES CIRCUIT BREAKER AMPERE RATING SECOND NUMBER INDICATES NEMA STARTER SIZE
	M MANUAL MOTOR STARTER, TOGGLE OPERATED, 1, 2 OR 3 POLE AS REQUIRED, OVERLOAD PROTECTION
	M MANUAL MOTOR SWITCH, TOGGLE OPERATED, SINGLE PHASE, 1 OR 2 POLE AS REQUIRED (NO OVERLOAD PROTECTION)
	CB 100A ENCLOSED CIRCUIT BREAKER AMPERE RATING
	(5) ELECTRIC MOTOR, NUMBER INDICATES HORSEPOWER RATING
	(5) EXPLOSION PROOF MOTOR
	VAV VARIABLE AIR VOLUME CONTROL ACTUATORS
	HS LOCAL SELECTOR SWITCH H/O/A - HAND/OFF/AUTO
	EMO EMERGENCY OFF BREAK GLASS STATION
	PB PUSHBUTTON STATION
	J JUNCTION BOX
	T TRANSFORMER
	P POWER POLE
	CONDUIT TURNING UP
	CONDUIT TURNING DOWN
	EY CONDUIT SEAL
	E DUPLEX RECEPTACLE, NEMA 5-20R, INSTALLED ON EMERGENCY CIRCUIT (TYPICAL)
	GFI DUPLEX RECEPTACLE, NEMA 5-20R
	HOSPITAL GRADE DUPLEX RECEPTACLE, NEMA 5-20R
	HOSPITAL GRADE GFCI DUPLEX RECEPTACLE, NEMA 5-20R
	HOSPITAL GRADE ISOLATED GROUND DUPLEX RECEPTACLE, NEMA 5-20R
	S SINGLE RECEPTACLE, NEMA 5-20R
	DS DOUBLE DUPLEX (QUADRUPLEX) RECEPTACLE, NEMA 5-20R
	HOSPITAL GRADE DOUBLE DUPLEX RECEPTACLE NEMA 5-20R
	SW SWITCHED RECEPTACLE
	FO FLOOR OUTLET, DUPLEX RECEPTACLE, NEMA 5-20R
	PR POWER RECEPTACLE, 480 VOLT NEMA CONFIGURATION AS NOTED.
	PR POWER RECEPTACLE, 240 VOLT NEMA CONFIGURATION AS NOTED.
	PB PANELBOARD, NORMAL POWER
	PB PANELBOARD, EMERGENCY POWER
	MO MULTI OUTLET ASSEMBLY
	GP GRAPHIC CONTROL PANEL
	PPA-XX BRANCH CIRCUIT NUMBER INDICATES PANEL NAME
	XXX EQUIPMENT TAG
	Home run TO INDICATED PANEL

FIRE ALARM

	FACP FIRE ALARM CONTROL PANEL
	FAA FIRE ALARM ANNUCIATOR
	M FIRE ALARM MASTER BOX
	F FIRE ALARM MANUAL PULL STATION
	FS FIRE ALARM SPEAKER/STROBE UNIT
	FA FIRE ALARM AUDIBLE/VISIBLE NOTIFICATION APPLIANCE (GENERAL EVACUATION)
	FA FIRE ALARM AUDIBLE/VISIBLE NOTIFICATION APPLIANCE (LOCAL)
	F FIRE ALARM VISIBLE ONLY NOTIFICATION APPLIANCE CANDELA INTENSITY-15/75 UNLESS OTHERWISE NOTED CEILING MOUNTED
	P PHOTOELECTRIC SMOKE DETECTOR, CEILING MOUNTED INDICATES AUXILIARY CONTACT.
	H FIXED TEMPERATURE HEAT DETECTOR, CEILING MOUNTED. INDICATES EQUIPMENT INTERLOCKED WITH THE DETECTOR
	P1 CLEAN ROOM SMOKE DETECTOR
	RC INDICATES EQUIPMENT INTERLOCKED WITH THE SMOKE DETECTOR
	H HEAT DETECTOR, CEILING MOUNTED COMBINATION RATE-OF-RISE/FIXED TEMPERATURE
	D DUCT SMOKE DETECTOR, PHOTOELECTRIC WITH AUXILIARY CONTACT.
	FS SPRINKLER SYSTEM FLOW SWITCH
	TS SPRINKLER SYSTEM TAMPER SWITCH
	DH FIRE ALARM SYSTEM MAGNETIC DOOR HOLDER
	I INTERLOCK RELAY
	SD SMOKE DAMPER
	RTI DUCT SMOKE DETECTOR REMOTE TEST INDICATOR
	K KNOX BOX

SECURITY SYSTEMS

	DC DOOR CONTACT
	CR CARD READER
	KP KEY PAD
	CCTV CLOSED CIRCUIT TELEVISION CAMERA
	ES ELECTRIC STRIKE
	ML MAG LOCK

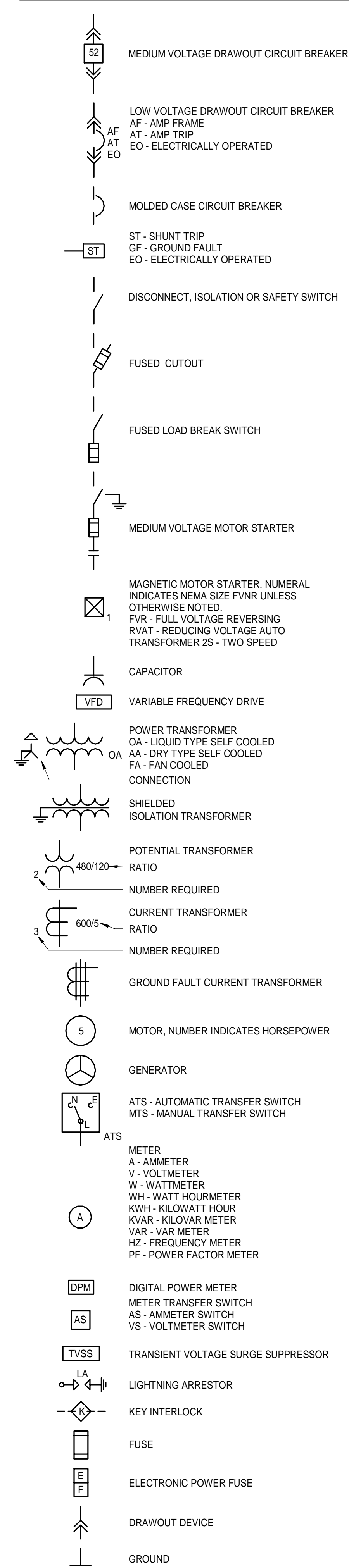
GROUNDING

	GR GROUND ROD
	EW EXOTHERMIC WELD CONNECTION
	B Bolted CONNECTION
	C BARE COPPER CONDUCTOR RUN EXPOSED
	C BARE COPPER CONDUCTOR EMBEDDED IN CONCRETE OR BURIED

LINE TYPES

	EXISTING
	NEW
	DEMOLITION

ONE LINE DIAGRAM



ABBREVIATIONS

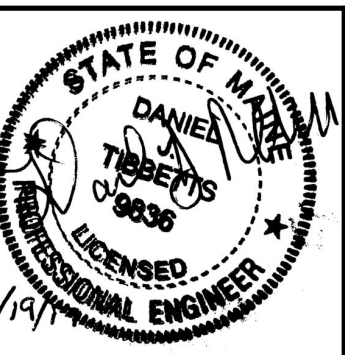
AAMP AMPERE	LA LIGHTNING ARRESTER
AFB ABOVE FINISHED FLOOR	LTG LIGHTING
AFG ABOVE FINISHED GRADE	MC METAL CLAD
AHJ AUTHORITY HAVING JURISDICTION	MCB MAIN CIRCUIT BREAKER
AIC AMPERE INTERRUPTING CAPACITY	MFR MANUFACTURER
AWG AMERICAN WIRE GAUGE	MI MINERAL INSULATED
BFG BELOW FINISHED GRADE	MLO MAIN LUG ONLY
BOS BOTTOM OF STEEL	MTD MOUNTED
C CONDUIT, CONDUCTOR	MV MEDIUM VOLTAGE
CATV CABLE TELEVISION	NC NORMALLY CLOSED
CB CIRCUIT BREAKER	NEC NATIONAL ELECTRICAL CODE
CCTV CLOSED CIRCUIT TELEVISION	NEG NEGATIVE
CPT CONTROL POWER TRANSFORMER	NEUT NEUTRAL
CT CURRENT TRANSFORMER	NIC NOT IN CONTRACT
CU COPPER	NO NORMALLY OPEN
DACT DIGITAL ALARM COMMUNICATOR TRANSMITTER	NTS NOT TO SCALE
DB DIRECT BURIED	PF POWER FACTOR
DISC DISCONNECT	PH PHASE
DN DOWN	PVC POLYVINYL CHLORIDE
EMT ELECTRICAL METALLIC TUBING	RGS RIGID STEEL CONDUIT
EWC ELECTRIC WATER COOLER	RSC RIGID STEEL CONDUIT
FAA FIRE ALARM ANNUCIATOR	RTD RESISTANCE TEMPERATURE DETECTOR
FACP FIRE ALARM CONTROL PANEL	SN SOLID NEUTRAL
FBO FURNISHED BY OTHERS	STP SHIELDED TWISTED PAIR
FU FUSE	STT SHIELDED TWISTED TRIPLET
FWE FURNISHED WITH EQUIPMENT	SWBD SWITCHBOARD
GEN GENERATOR	SWGR SWITCHGEAR
GFCI GROUND FAULT CIRCUIT BREAKER	TOS TOP OF STEEL
GND GROUND	TRANSF TRANSFORMER
HP HORSEPOWER	TVSS TRANSIENT VOLTAGE SURGE SUPPRESSOR
HTR HEATER	V VOLT
IG ISOLATED GROUND	VA VOLT-AMPERE
IMC INTERMEDIATE METAL CONDUIT	VAR VOLT-AMPERE REACTIVE
K KILO	WM WATT METER
KCMIL THOUSAND CIRCULAR MILS	WP WEATHER PROOF
KV KILOVOLT	XFMR TRANSFORMER
KVA KILOVOLT-AMPERE	XP EXPLOSION PROOF
KVAR KILOVOLT-AMPERE REACTIVE	
KW KILOWATT	
KWH KILOWATT-HOUR	

GENERAL NOTES:

- WORK SHALL BE PERFORMED IN ACCORDANCE WITH NFPA-70, NATIONAL ELECTRICAL CODE (NEC).
- ALL MOTOR SAFETY SWITCHES, DISCONNECTS AND MOTOR STARTERS ARE PROVIDED BY DIVISION 16000 UNLESS NOTED AS FURNISHED WITH EQUIPMENT (FWE).
- UNLESS OTHERWISE NOTED CONVENIENCE RECEPTACLES SHALL BE MOUNTED 18-INCHES AFF, LIGHTING TOGGLE SWITCHES 48-INCHES AFF, DATA SYSTEM OUTLETS 18-INCHES AFF, FIRE ALARM NOTIFICATION DEVICES 80-INCHES AFF OR 6-INCHES BELOW CEILING, WHICHEVER IS LOWER, AND FIRE ALARM MANUAL PULL STATIONS 48-INCHES TO TOP OF DEVICE.
- ALL PENETRATIONS THROUGH FLOORS, RATED WALLS AND PARTITIONS SHALL BE SEALED WITH UL APPROVED FIRE SEALANT MATERIAL TO MAINTAIN THE RATING OF SEPARATION.
- ALL ENCLOSURES, CONDUIT BODIES AND THEIR COVERS CONTAINING FIRE ALARM SYSTEM CONDUCTORS SHALL BE PAINTED RED.
- AN EQUIPMENT GROUNDING CONDUCTOR SHALL BE INSTALLED WITH EVERY FEEDER AND BRANCH CIRCUIT.
- UNLESS OTHERWISE NOTED WIRING SHALL BE 2#12 AWG CONDUCTORS AND #12 GND. HOME RUNS FED FROM 20A-1P CIRCUITS IN EXCESS OF 100 FEET SHALL BE #10 AWG.
- FLEXIBLE CONNECTIONS TO MOTORS SHALL BE LIQUID TIGHT FLEXIBLE METAL CONDUIT, UNLESS OTHERWISE NOTED.
- LIGHTING TOGGLE SWITCHES SHALL BE COMMERCIAL SPECIFICATION GRADE 120/277 VOLT, SIDE WIRED AND PROVIDED WITH GROUNDING SCREW, PROVIDE LEVITON WIRING DEVICES. COLOR TO BE IVORY
- CONVENIENCE RECEPTACLES SHALL BE COMMERCIAL SPECIFICATION HOSPITAL GRADE TAMPER RESISTANT GROUNDING TYPE NEMA 5-20R, SIDE WIRED, LEVITON MODEL #8300-SGI. COLOR TO BE IVORY.
- PROVIDE WALL PLATES FOR ALL WIRING DEVICES, NYLON SMOOTH TYPE IN FINISHED AREAS AND GALVANIZED IN UNFINISHED AREAS. ALL WIRING DEVICES PLATES TO BE PROVIDED WITH TAMPER PROOF SCREWS.
- ALL WIRING SHALL BE 600V, COPPER WITH THHN/THWN INSULATION.

GENERAL NOTE

ALL GENERAL NOTES, SYMBOL LISTS, AND DETAILS ARE TO BE CONSIDERED AS APPLICABLE TO ALL ELECTRICAL DRAWINGS FOR THIS PROJECT. SYMBOLS AND ABBREVIATIONS SHOWN ON THIS SHEET ARE FOR REFERENCE ONLY AND DO NOT INDICATE THEIR INCORPORATION IN THE DESIGN.



ARCHITECTURE 144 Fore Street P.O. Box 618
Portland, Maine 04104
tel. (207) 772-3846
fax. (207) 772-1070
www.smbago.com

ENGINEERING
PLANNING
INTERIORS
ENERGY

SMART

SMRT PROJECT NO. PROJECT MGR. LIC/DRAWN A/E OF RECORD
17033

ISSUED FOR CONSTRUCTION	DATE: 12/21/17	BY: 0	REV: 0
THIS PLAN SHALL NOT BE MODIFIED WITHOUT WRITTEN PERMISSION FROM SBAGO			
ALL CHANGES SHALL BE AT THE USER'S SOLE RISK AND WITHOUT LIABILITY TO SBAGO TECHNIQUES, INC.			

SEBAGO
TECHNIQUES

WWW.SBAGOTECHNIQUES.COM
75 John Roberts Rd., Suite 1A 250 Goddard Rd., Suite B
Portland, ME 04106 Portland, ME 04106
Tel. 207-783-5565 Tel. 207-783-5565

PROJECT NO. FIELD BOOK. DESIGN CHKD DRAWN

LEGEND AND GENERAL NOTES

OF:
PORTLAND INTERNATIONAL JETPORT
GATE UPGRADES
1001 WESTBROOK STREET
PORTLAND, MAINE 04102

DATE	SCALE
12/15/17	NONE

1.E-001