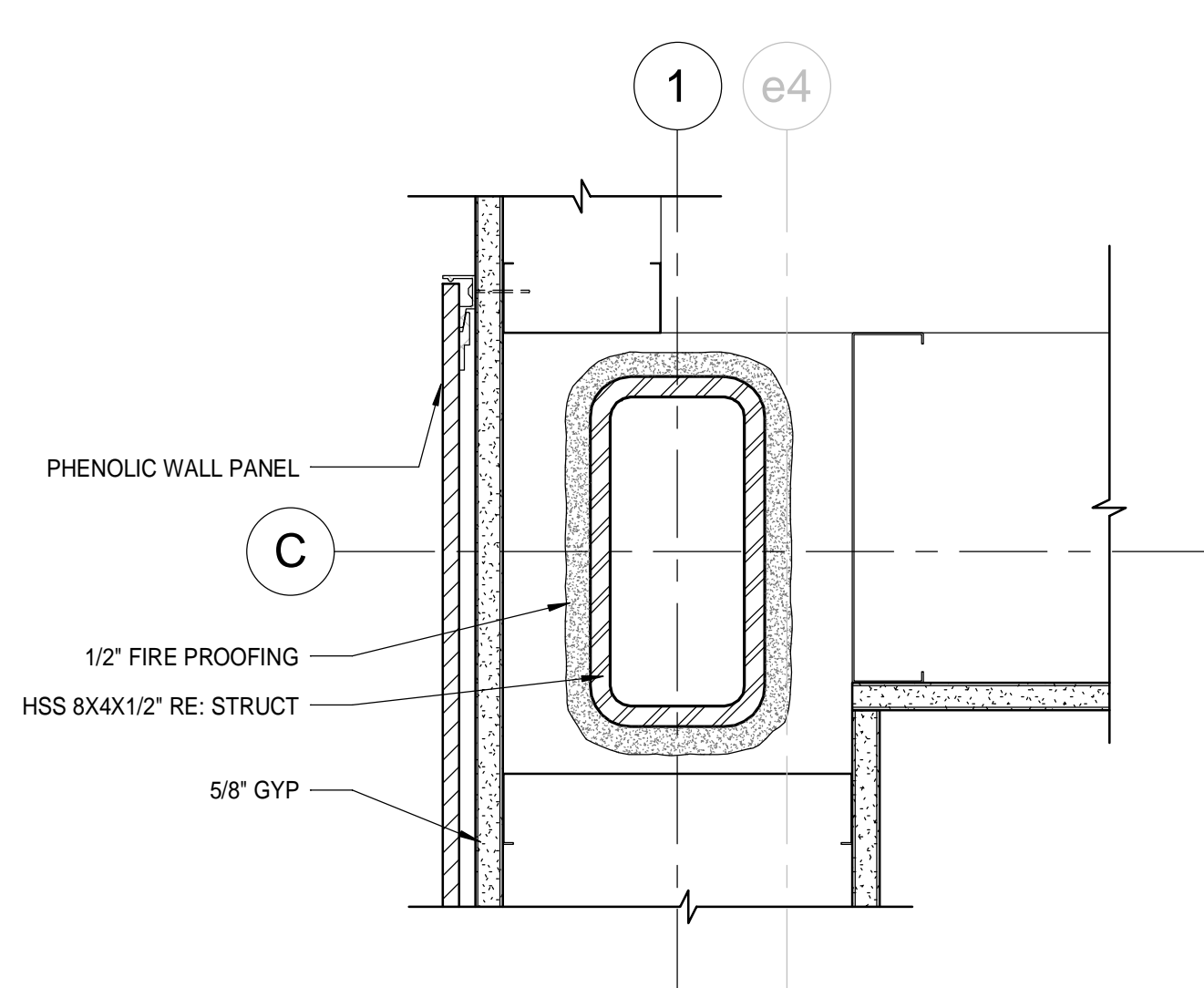
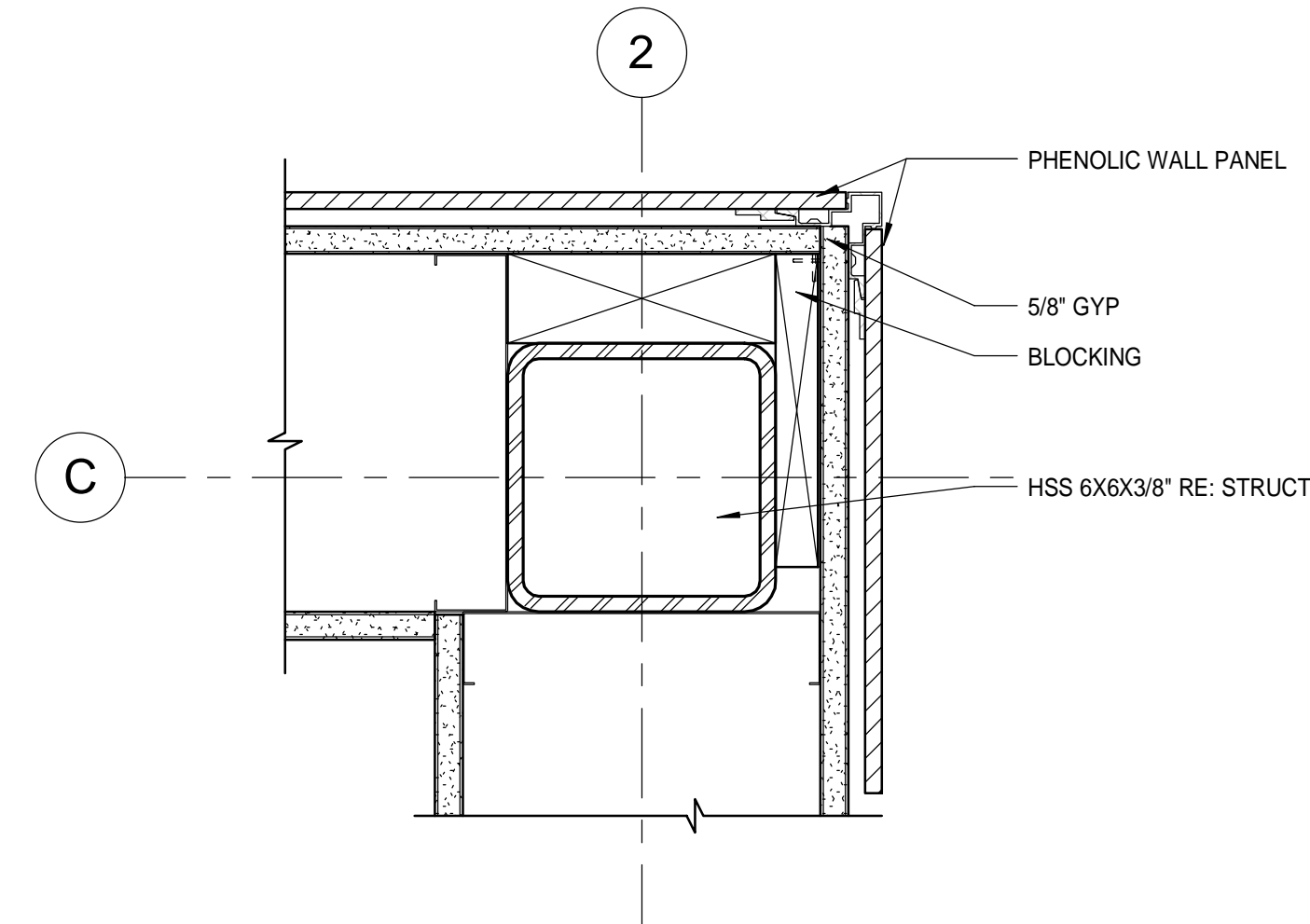


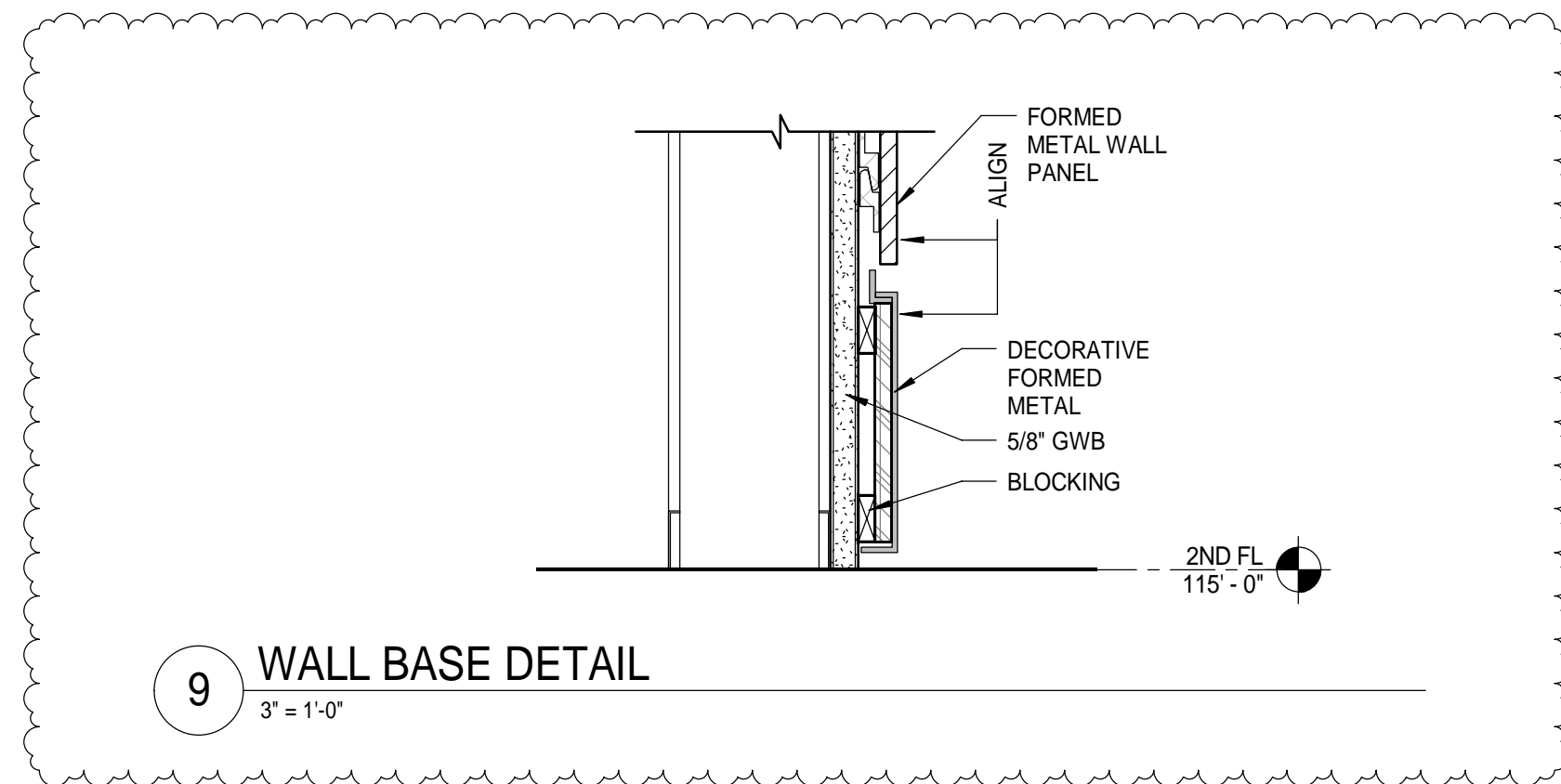
7 DETAIL @ ELEVATOR SHAFT 2ND FL
3" = 1'-0"



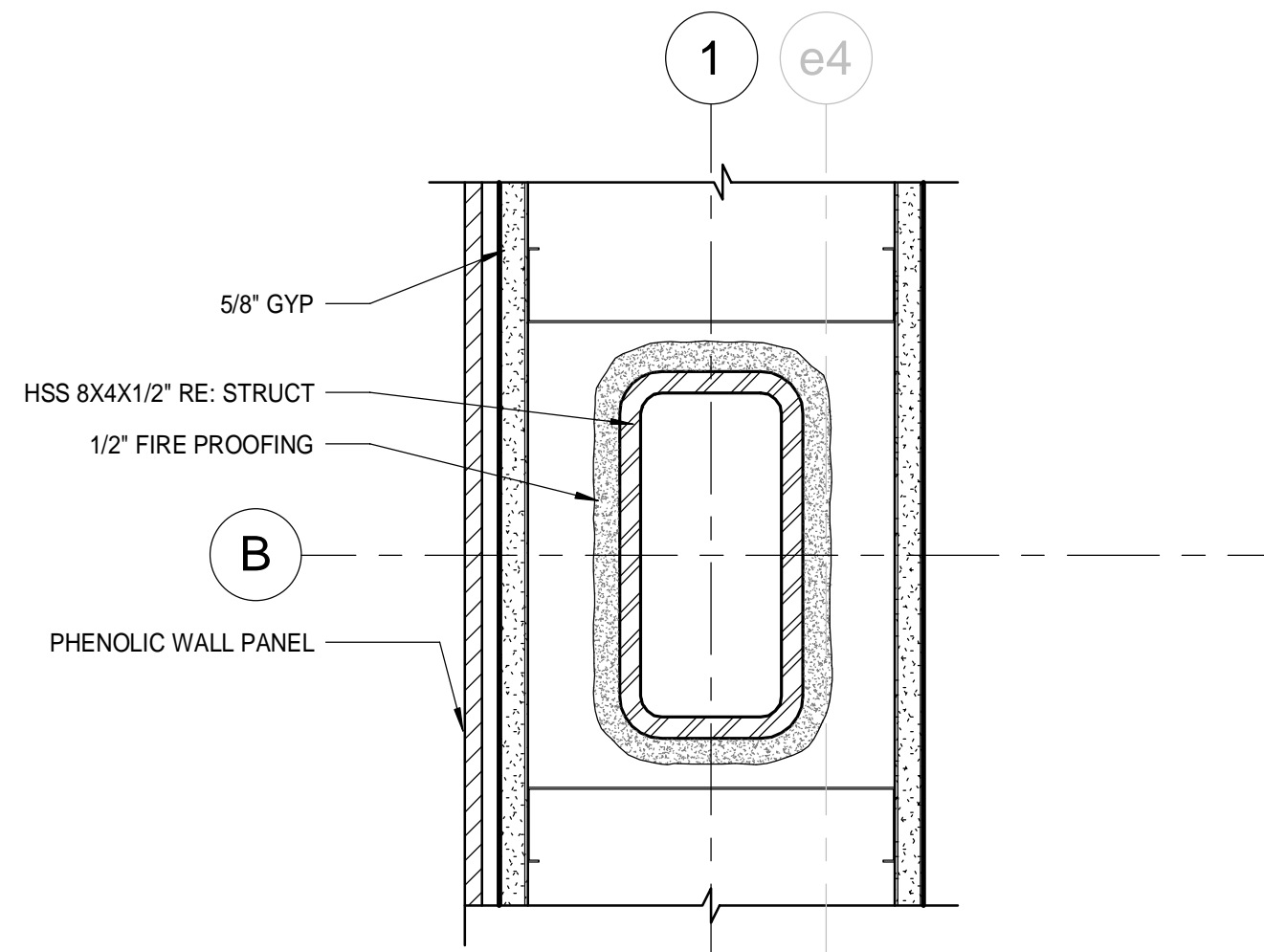
6 DETAIL @ ELEVATOR SHAFT 1ST FL LOWER LEVEL
3" = 1'-0"



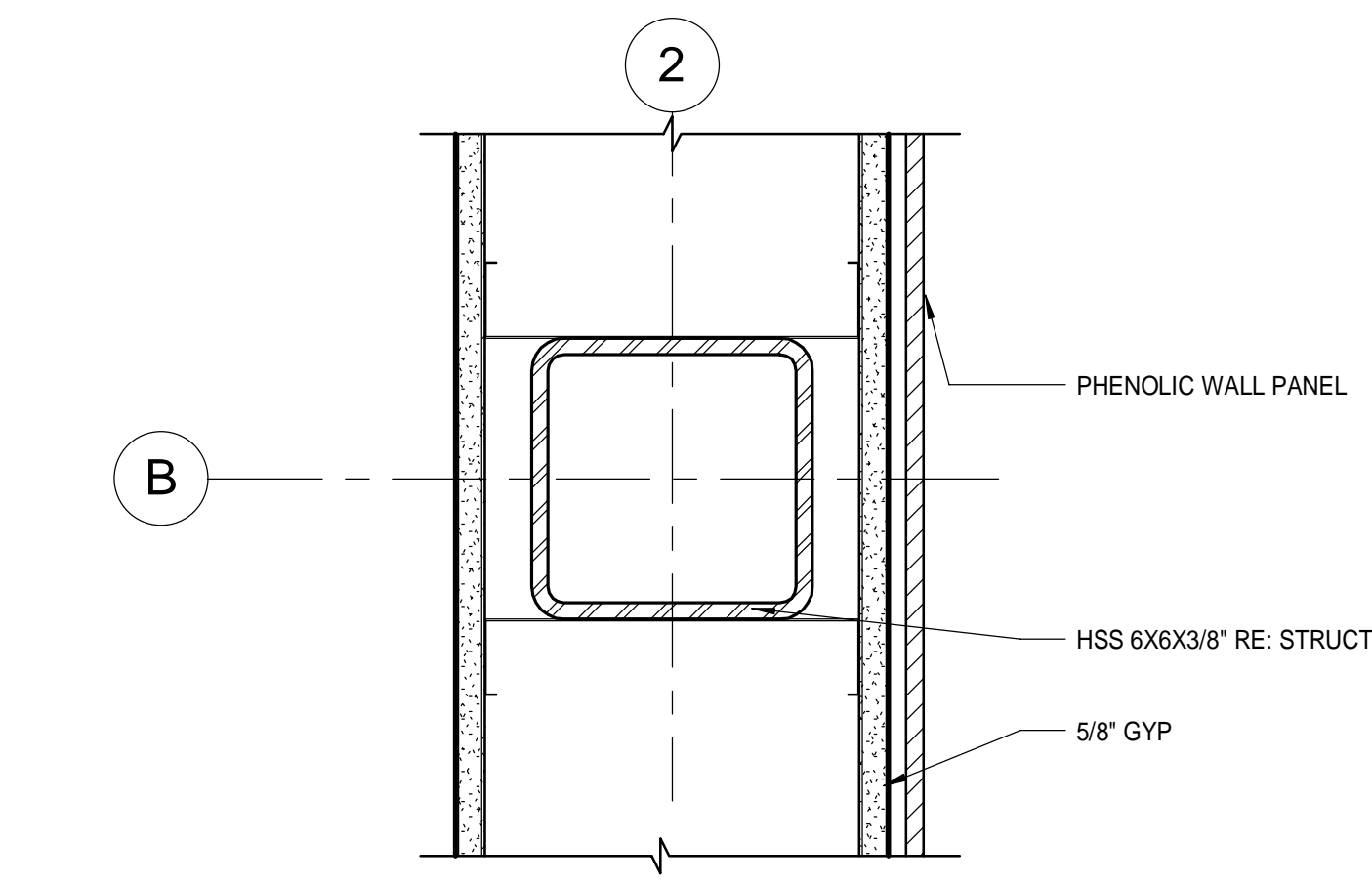
5 DETAIL @ ELEVATOR SHAFT
3" = 1'-0"



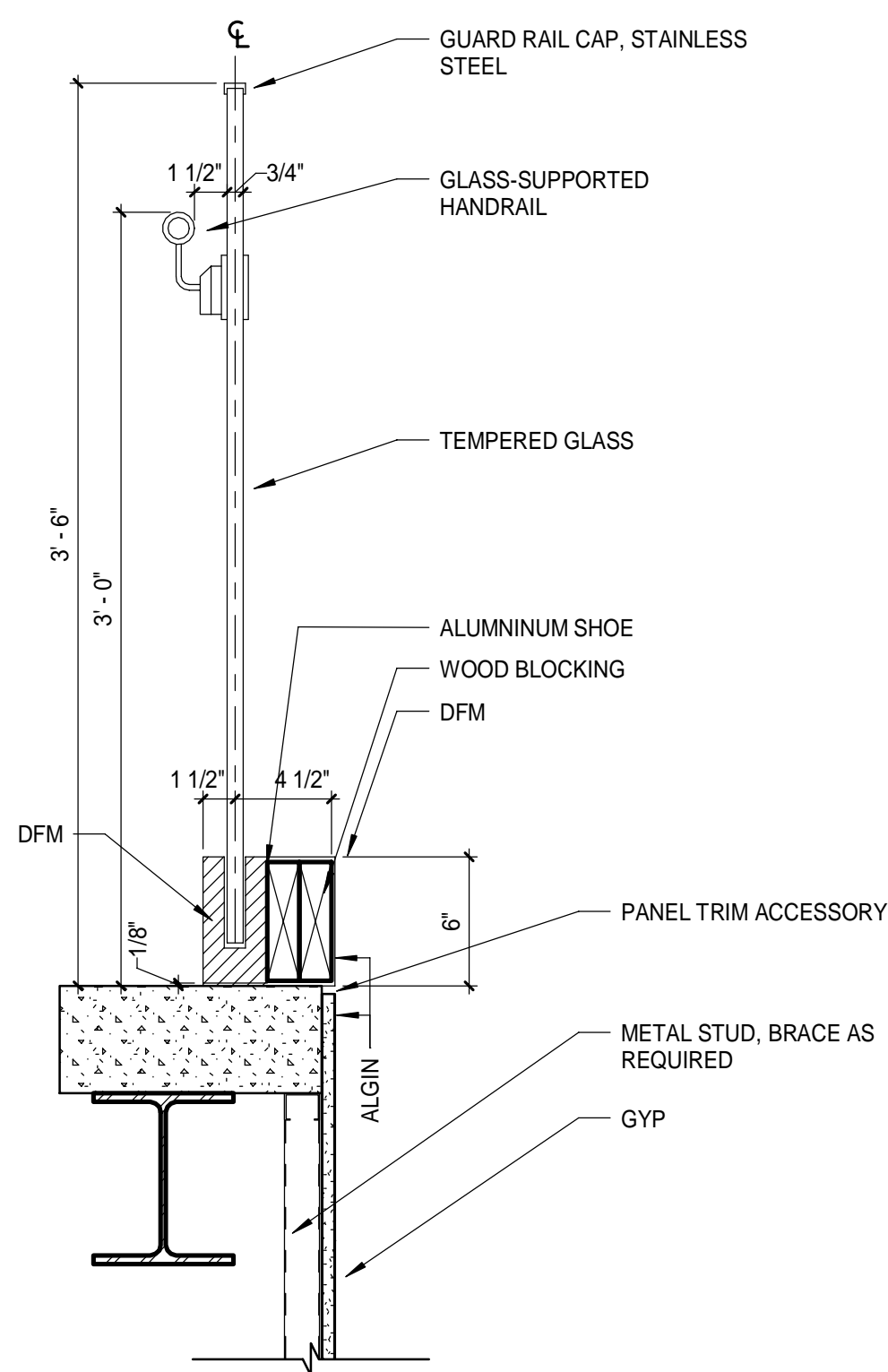
9 WALL BASE DETAIL
3" = 1'-0"



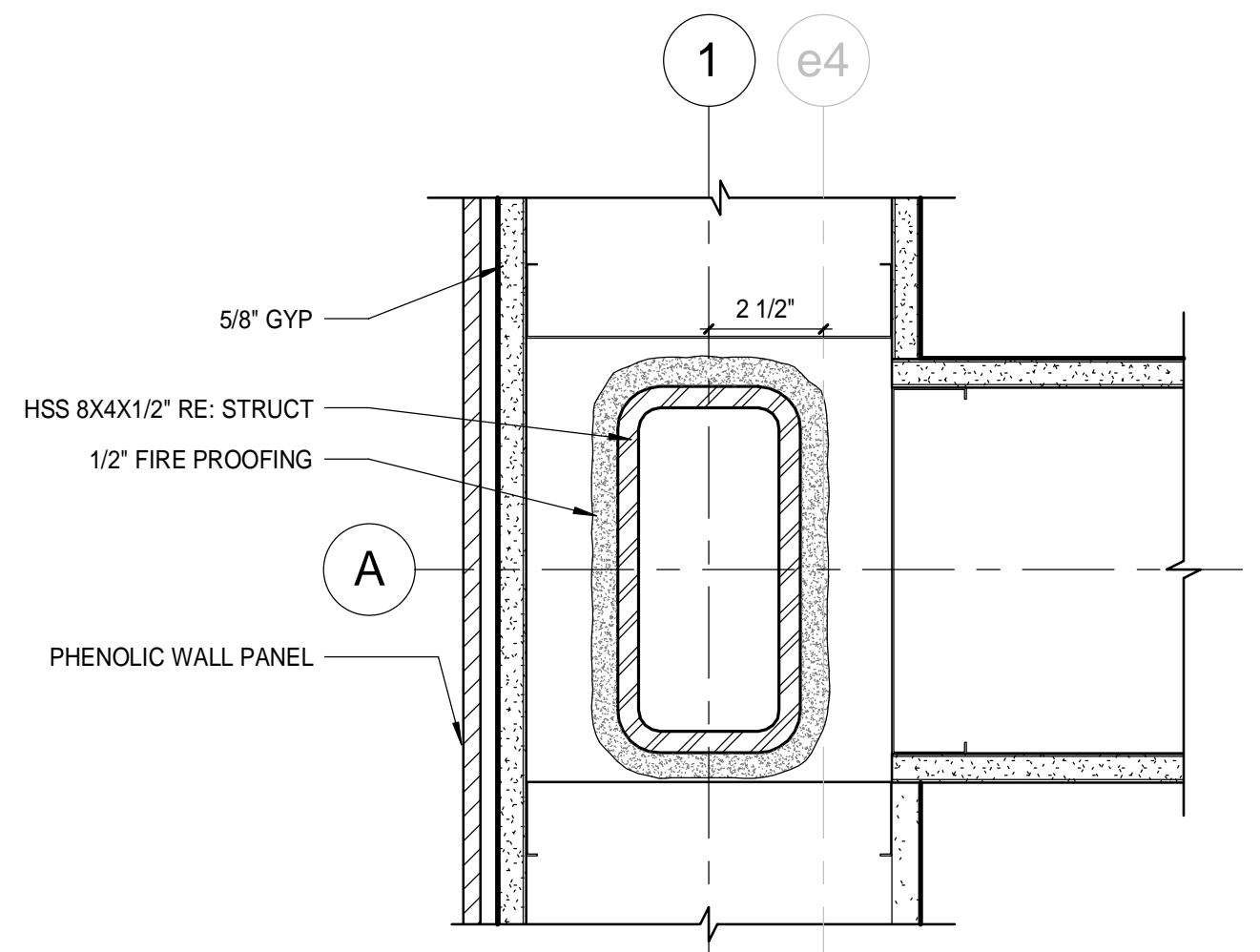
4 DETAIL @ ELEVATOR SHAFT
3" = 1'-0"



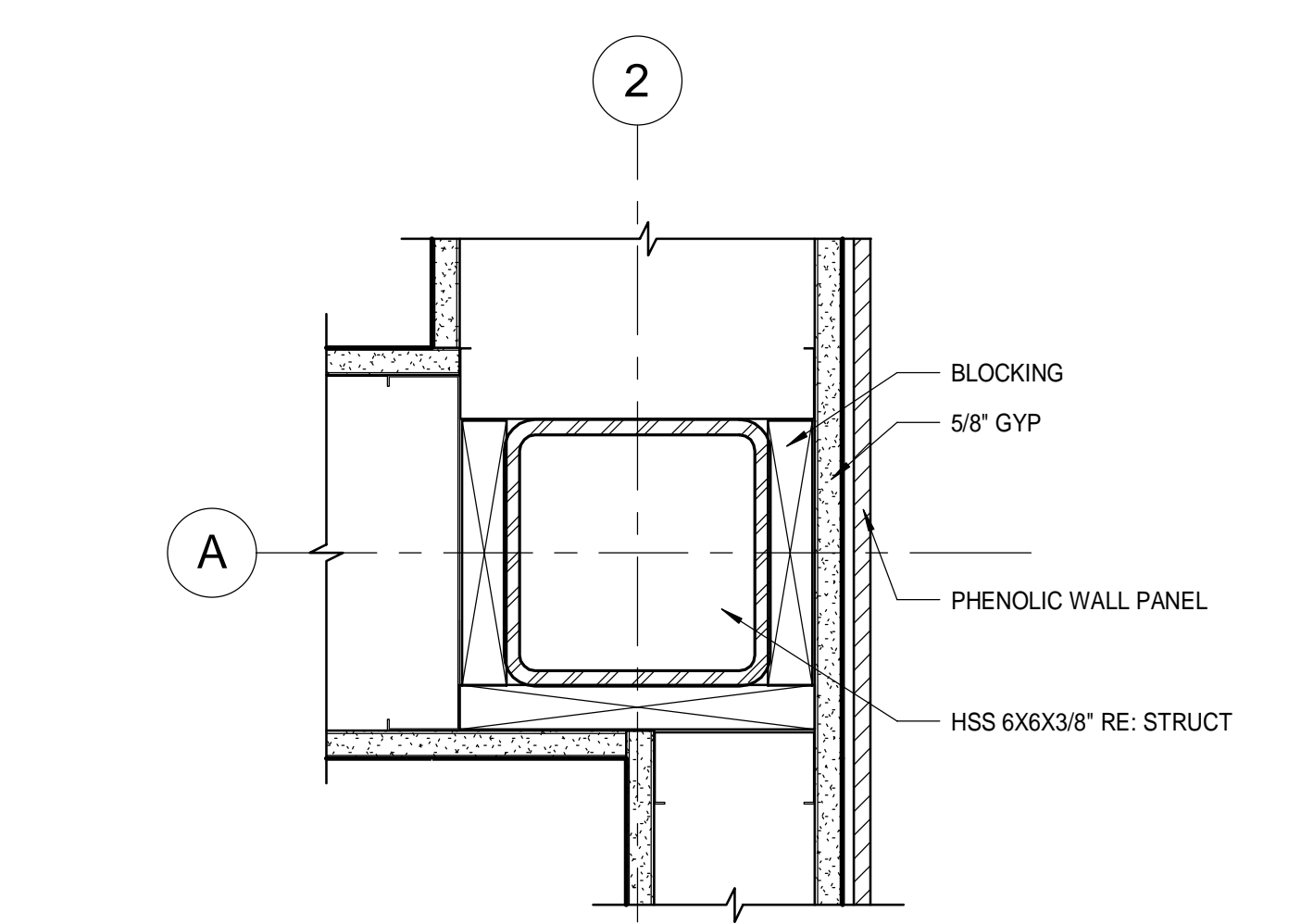
3 DETAIL @ ELEVATOR SHAFT
3" = 1'-0"



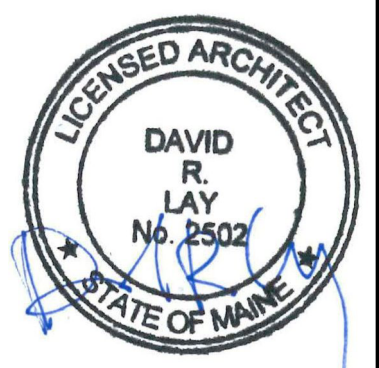
8 SECTION DETAIL AT GLASS RAIL
1 1/2" = 1'-0"



2 DETAIL @ ELEVATOR SHAFT
3" = 1'-0"



1 DETAIL @ ELEVATOR SHAFT
3" = 1'-0"



ARCHITECTURE 144 Fore Street P.O. Box 618
Portland, Maine 04104
tel. (207) 772-3846
fax. (207) 772-1070
www.smrtninc.com

ENGINEERING
PLANNING
INTERIORS
ENERGY

SMRT PROJECT NO. PROJECT MGR. JCDRAWN A/E OF RECORD
17033 DRL Author Checker

ADDENDUM 3	ISSUED FOR CONSTRUCTION
2/16/18	12/21/17
DATE:	DATE:
BY:	BY:
1	0
REV:	REV:

THIS PLAN SHALL NOT BE MODIFIED WITHOUT WRITTEN PERMISSION FROM SEBAGO TECHNICS, INC. ALL WORK SHALL BE AT THE USER'S RISK AND WITHOUT LIABILITY TO SEBAGO TECHNICS, INC.

SEBAGO
TECHNICS

WWW.SEBAGOTECHNICS.COM
75 John Roberts Rd., Suite 1A
South Portland, ME 04086
Tel. 207.200.2100
Tel. 207.783.6666

PROJECT NO. | FIELD BOOK | DESIGN | CHKD | DRAWN

DETAILS
OF:
PORTLAND INTERNATIONAL JETPORT
GATE UPGRADES
1001 WESTBROOK STREET
PORTLAND, MAINE 04102

DATE	SCALE
12/18/17	As Indicated

2.AE500