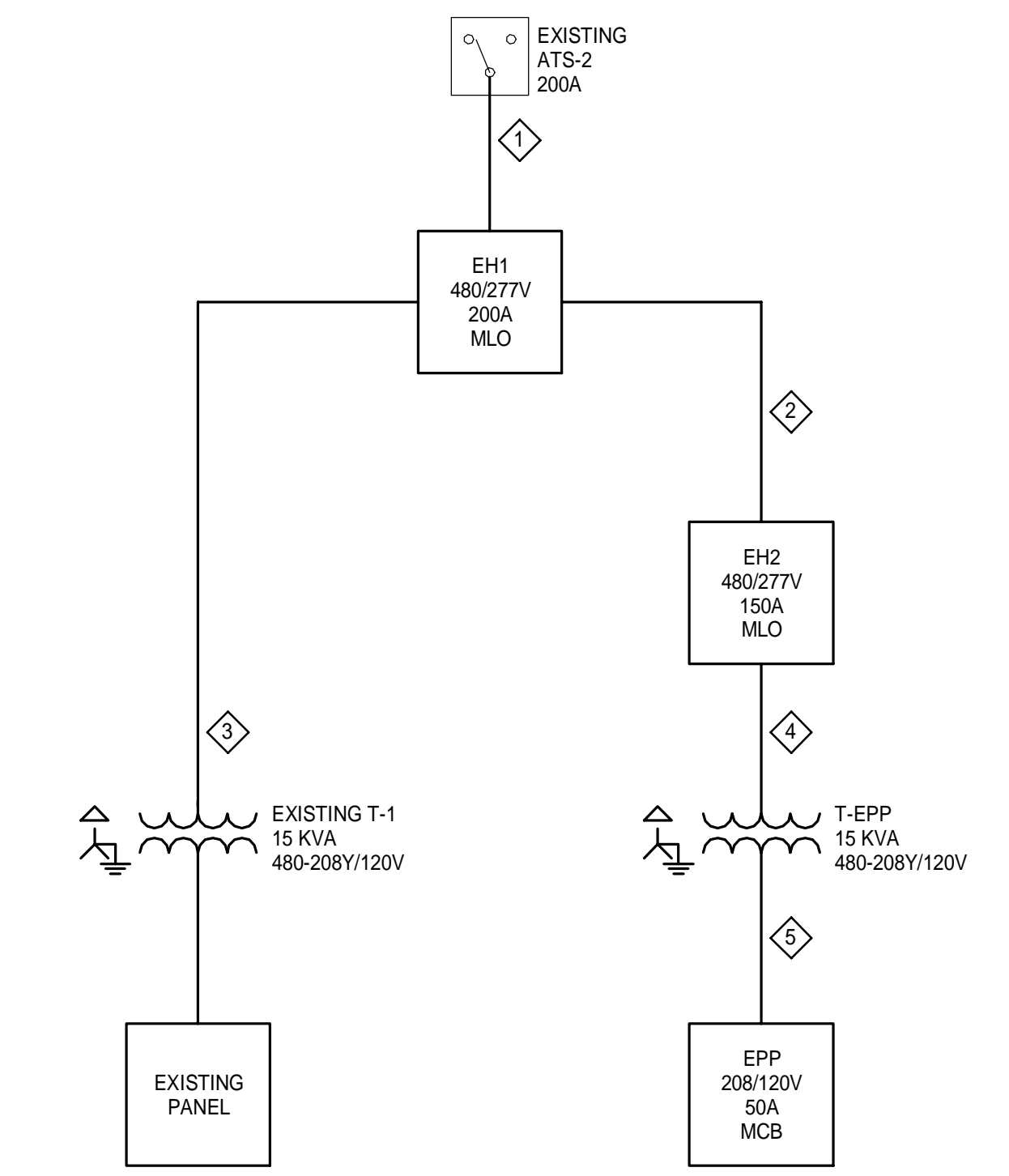


DIRECTORY	KVA LOAD			CKT NO.	BKR AMPS	A	B	C	BKR AMPS	CKT NO.	KVA LOAD			DIRECTORY
	A	B	C								A	B	C	
PANELBOARD EH2	*	*	*	1	150				70	2	*	*	*	EXISTING 45 KVA TRANSFORMER
SPACE	*	*	*	3						4	*	*	*	
SPACE	*	*	*	5						6	*	*	*	
SPACE	*	*	*	7						8	*	*	*	SPACE
SPACE	*	*	*	9						10	*	*	*	SPACE
SPACE	*	*	*	11						12	*	*	*	SPACE
SPACE	*	*	*	13						14	*	*	*	SPACE
SPACE	*	*	*	15						16	*	*	*	SPACE
SPACE	*	*	*	17						18	*	*	*	SPACE
SPACE	*	*	*	19						20	*	*	*	SPACE
SPACE	*	*	*	21						22	*	*	*	SPACE
SPACE	*	*	*	23						24	*	*	*	SPACE
SUB-TOTAL	*	*	*								*	*	*	SUB-TOTAL
NEUTRAL BUS														
GROUND BUS														
VOLTAGE:	480/277V	3 PHASE	4 WIRE	225 AMP BUS	TOTAL KVA	A	*			PANEL NO.	EH1			
MAIN LUGS ONLY				200 AMP LUGS	TOTAL KVA	B	*			LOCATION	PENTHOUSE			
MOUNTING:	SURFACE				TOTAL KVA	C	*							
SC RATING:	42,000 AIC				TOTAL KVA		*							
NOTES:														

DIRECTORY	KVA LOAD			CKT NO.	BKR AMPS	A	B	C	BKR AMPS	CKT NO.	KVA LOAD			DIRECTORY
	A	B	C								A	B	C	
(1) ELEVATOR #1	*	*	*	1	80				20	2	*	*	*	LTG ELECTRICAL RM
	*	*	*	3					20	4	*	*	*	LTG ELEVATOR HOISTWAY
	*	*	*	5					20	6	*	*	*	SPARE
	*	*	*	7					20	8	*	*	*	
ESCLATOR #1	*	*	*	9	50				25	10	*	*	*	PANELBOARD EPP
	*	*	*	11					12	12	*	*	*	
	*	*	*	13					14	14	*	*	*	
SPARE	*	*	*	15	20				80	16	*	*	*	ELEVATOR #2 (1)
SPACE	*	*	*	17					18	18	*	*	*	
SPACE	*	*	*	19					20	20	2.0	*	*	
SPACE	*	*	*	21					25	22	2.0	*	*	PANELBOARD EPP
SPACE	*	*	*	23					24	24		*	*	
SPACE	*	*	*	25					26	26	0.9	*	*	
SPACE	*	*	*	27					15	28	0.9	*	*	ELEVATOR PIT SUMP
SPACE	*	*	*	29					30	30	0.9	*	*	
SUB-TOTAL	*	*	*								*	*	*	SUB-TOTAL
NEUTRAL BUS														
GROUND BUS														
VOLTAGE:	480/277V	3 PHASE	4 WIRE	200 AMP BUS	TOTAL KVA	A	*			PANEL NO.	EH2			
MAIN LUGS ONLY				150 AMP LUGS	TOTAL KVA	B	*			LOCATION	ELECTRICAL RM			
MOUNTING:	SURFACE				TOTAL KVA	C	*							
SC RATING:	25,000 AIC				TOTAL KVA		*							
NOTES:	(1) PROVIDE WITH A SHUNT TRIP CIRCUIT BREAKER.													

DIRECTORY	KVA LOAD			CKT NO.	BKR AMPS	A	B	C	BKR AMPS	CKT NO.	KVA LOAD			DIRECTORY
	A	B	C								A	B	C	
ELEVATOR CAB LTG	0.2	*	*	1	20				20	2	*	*	*	SPARE
ELEVATOR PIT RECEPPTS		0.4	*	3	20				20	4	*	*	*	SPARE
ELECTRICAL RM RECEPPTS			0.4	5	20				20	6	*	*	*	SPARE
SPARE	*	*	*	7	20				20	8	*	*	*	SPARE
SPARE	*	*	*	9	20				20	10	*	*	*	SPARE
SPARE	*	*	*	11	20				20	12	*	*	*	SPARE
SPACE	*	*	*	13					14	14	*	*	*	SPACE
SPACE	*	*	*	15					16	16	*	*	*	SPACE
SPACE	*	*	*	17					18	18	*	*	*	SPACE
SPACE	*	*	*	19					20	20	*	*	*	SPACE
SPACE	*	*	*	21					22	22	*	*	*	SPACE
SPACE	*	*	*	23					24	24	*	*	*	SPACE
SUB-TOTAL	*	*	*								*	*	*	SUB-TOTAL
NEUTRAL BUS														
GROUND BUS														
VOLTAGE:	208Y/120V	3 PHASE	4 WIRE	100 AMP BUS	TOTAL KVA	A	*			PANEL NO.	EPP			
MAIN BREAKER				50 AMP TRIP	TOTAL KVA	B	*			LOCATION	ELECTRICAL RM			
MOUNTING:	SURFACE				TOTAL KVA	C	*							
SC RATING:	10,000 AIC				TOTAL KVA		*							
NOTES:														

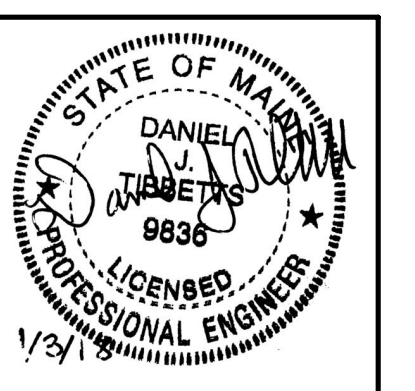


1 ONE-LINE DIAGRAM  
NONE

NOTES:  
1. SEE SHEET 2.E-001 FOR LEGEND AND GENERAL NOTES.

CABLE SCHEDULE:

- 1 4#3/0 AWG & #6 GND, 2°C
- 2 4#1/0 AWG & #6 GND, 2°C
- 3 3#4 AWG & #8 GND, 1 1/4°C
- 4 3#10 AWG & #10 GND, 3/4°C
- 5 4#8 AWG & #10 GND, 3/4°C



ARCHITECTURE 144 Fore Street P.O. Box 618  
 Portland, Maine 04104  
 ENGINEERING Tel: (207) 772-3846  
 PLANNING Fax: (207) 772-1070  
 INTERIORS www.smrtinc.com  
 ENERGY

**SMRT**

PROJECT NO. PROJECT MGR. JCDRAWN JAE OF RECORD  
 17033 DRL CDS DJT

ISSUED FOR CONSTRUCTION	DATE:	12/21/17
STATUS:	BY:	
REV:	0	

THIS PLAN SHALL NOT BE MODIFIED WITHOUT WRITTEN PERMISSION FROM SEBAGO TECHNOLOGIES, INC. USER'S SCALE AND WITHOUT LIABILITY TO SEBAGO TECHNOLOGIES, INC.

**SEBAGO**  
 TECHNOLOGIES

WWW.SEBAGOTECHNICS.COM  
 75 John Roberts Rd., Suite 1A  
 South Portland, ME 04086  
 Tel: 207-200-2100  
 Tel: 207-783-6666

PROJECT NO. FIELD BOOK DESIGN CHKD DRAWN

ONE-LINE DIAGRAM AND PANEL SCHEDULES  
 OF:  
 PORTLAND INTERNATIONAL JETPORT  
 VERTICAL CIRCULATION IMPROVEMENTS  
 1001 WESTBROOK STREET  
 PORTLAND, MAINE 04102

DATE	SCALE
10-27-17	NONE

2.EP601