

LIGHTING

Table of lighting symbols and descriptions: 2x4 FIXTURE ASSOCIATED CONTROL DEVICE, 1x4 FIXTURE, 2x2 FIXTURE, DOWN LIGHT, INDUSTRIAL STRIP, WALL MOUNTED FIXTURES, TRACK LIGHTING, POLE MOUNTED SITE LIGHTING FIXTURE, FLOOD LIGHT, WALL WASH LIGHT FIXTURE, EXIT SIGN, DUAL HEAD EMERGENCY LIGHT BATTERY PACK, REMOTE EMERGENCY LIGHTING HEAD, WALL PACK, 3-WAY TOGGLE SWITCH, SINGLE POLE TOGGLE SWITCH, 4-WAY TOGGLE SWITCH, DUAL LEVEL SWITCHING, DIMMER SWITCH, TOGGLE SWITCH WITH PILOT LIGHT, TIMER SWITCH, SINGLE POLE DOUBLE THROW TOGGLE SWITCH, WEATHER PROOF, EXPLOSION PROOF, OCCUPANCY SENSOR SWITCH, OCCUPANCY SENSOR RELAY, DAYLIGHT SENSOR.

COMMUNICATION & DATA SYSTEMS

Table of communication and data system symbols and descriptions: TELEPHONE SYSTEM WALL JACK, DATA SYSTEM OUTLET, COMBINATION VOICE/DATA SYSTEM OUTLET, UNDERFLOOR TELEPHONE SYSTEM OUTLET, UNDERFLOOR DATA SYSTEM OUTLET, UNDERFLOOR VOICE & DATA OUTLET, CABLE TELEVISION SYSTEM OUTLET, PAGING SYSTEM CONTROL PANEL, PAGING SYSTEM SPEAKER, VOLUME CONTROL, INTERCOM SYSTEM HAND KEY, CLOCK SPEAKER, INTERCOM SYSTEM HAND SET, WALL MOUNTED CLOCK, CEILING MOUNTED DATA SYSTEM OUTLET.

POWER

Table of power symbols and descriptions: NON-FUSED SAFETY SWITCH, FUSED SAFETY SWITCH, MAGNETIC MOTOR STARTER, COMBINATION FUSED DISCONNECT/MAGNETIC MOTOR STARTER, NON-FUSED DISCONNECT/MAGNETIC MOTOR STARTER, MANUAL MOTOR STARTER, MANUAL MOTOR SWITCH, ENCLOSED CIRCUIT BREAKER, ELECTRIC MOTOR, EXPLOSION PROOF MOTOR, VARIABLE AIR VOLUME CONTROL ACTUATORS, LOCAL SELECTOR SWITCH, EMERGENCY OFF BREAK GLASS STATION, PUSHBUTTON STATION, JUNCTION BOX, TRANSFORMER, POWER POLE, CONDUIT TURNING UP, CONDUIT TURNING DOWN, EY CONDUIT SEAL, DUPLEX RECEPTACLE, GFI DUPLEX RECEPTACLE, HOSPITAL GRADE DUPLEX RECEPTACLE, HOSPITAL GRADE GFCI DUPLEX RECEPTACLE, HOSPITAL GRADE ISOLATED GROUND DUPLEX RECEPTACLE, SINGLE RECEPTACLE, DOUBLE DUPLEX (QUADRUPLE) RECEPTACLE, HOSPITAL GRADE DOUBLE DUPLEX RECEPTACLE, SWITCHED RECEPTACLE, FLOOR OUTLET, POWER RECEPTACLE, POWER RECEPTACLE, PANELBOARD, MULTI OUTLET ASSEMBLY, GRAPHIC CONTROL PANEL, BRANCH, EQUIPMENT TAG, HOME RUN TO INDICATED PANEL.

FIRE ALARM

Table of fire alarm symbols and descriptions: FIRE ALARM CONTROL PANEL, FIRE ALARM ANNUNCIATOR, FIRE ALARM MASTER BOX, FIRE ALARM MANUAL PULL STATION, FIRE ALARM SPEAKER/STROBE UNIT, FIRE ALARM AUDIBLE/VISIBLE NOTIFICATION APPLIANCE, FIRE ALARM AUDIBLE/VISIBLE NOTIFICATION APPLIANCE (LOCAL), FIRE ALARM VISIBLE ONLY NOTIFICATION APPLIANCE, PHOTOELECTRIC SMOKE DETECTOR, FIXED TEMPERATURE HEAT DETECTOR, CLEAN ROOM SMOKE DETECTOR, HEAT DETECTOR, DUCT SMOKE DETECTOR, SPRINKLER SYSTEM FLOW SWITCH, SPRINKLER SYSTEM TAMPER SWITCH, FIRE ALARM SYSTEM MAGNETIC DOOR HOLDER, INTERLOCK RELAY, SMOKE DAMPER, DUCT SMOKE DETECTOR REMOTE TEST INDICATOR, KNOX BOX.

SECURITY SYSTEMS

Table of security system symbols and descriptions: DOOR CONTACT, CARD READER, KEY PAD, CLOSED CIRCUIT TELEVISION CAMERA, ELECTRIC STRIKE, MAG LOCK.

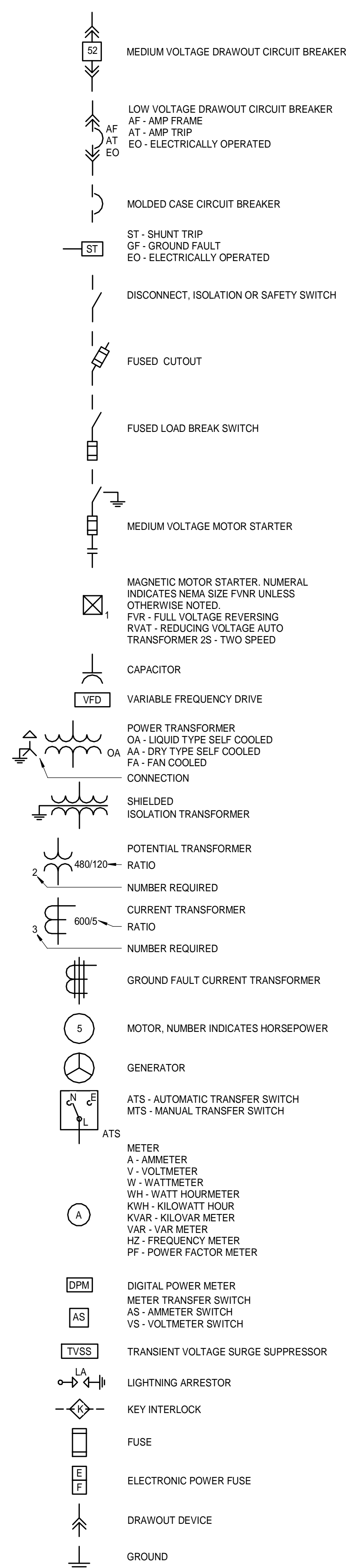
GROUNDING

Table of grounding symbols and descriptions: GROUND ROD, EXOTHERMIC WELD CONNECTION, BOLTED CONNECTION, BARE COPPER CONDUCTOR RUN EXPOSED, BARE COPPER CONDUCTOR EMBEDDED IN CONCRETE OR BURIED.

LINE TYPES

Table of line types: EXISTING, NEW, DEMOLITION.

ONE LINE DIAGRAM



ABBREVIATIONS

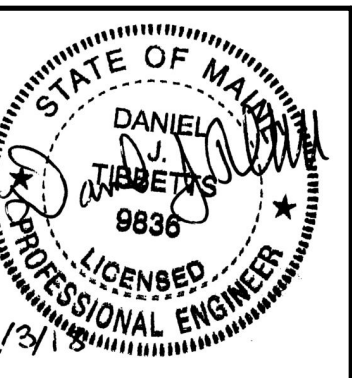
Table of abbreviations: A AMP AMPERE, AFF ABOVE FINISHED FLOOR, AFG ABOVE FINISHED GRADE, AHJ AUTHORITY HAVING JURISDICTION, AIC AMPERE INTERRUPTING CAPACITY, AWG AMERICAN WIRE GAUGE, BFG BELOW FINISHED GRADE, BOS BOTTOM OF STEEL, C CONDUIT, CONDUCTOR, CATV CABLE TELEVISION, CB CIRCUIT BREAKER, CCTV CLOSED CIRCUIT TELEVISION, CPT CONTROL POWER TRANSFORMER, CT CURRENT TRANSFORMER, CU COPPER, DACT DIGITAL ALARM COMMUNICATOR TRANSMITTER, DB DIRECT BURIED, DISC DISCONNECT, DN DOWN, EMT ELECTRICAL METALLIC TUBING, EWIC ELECTRIC WATER COOLER, FAA FIRE ALARM ANNUNCIATOR, FACP FIRE ALARM CONTROL PANEL, FBO FURNISHED BY OTHERS, FU FUSE, FWE FURNISHED WITH EQUIPMENT, GEN GENERATOR, GFCI GROUND FAULT CIRCUIT BREAKER, GND GROUND, HP HORSEPOWER, HTR HEATER, IG ISOLATED GROUND, IMC INTERMEDIATE METAL CONDUIT, K KILO, KCMIL THOUSAND CIRCULAR MILS, KV KILOVOLT, KVA KILOVOLT-AMPERE, KVAR KILOVOLT-AMPERE REACTIVE, KWH KILOWATT-HOUR, LA LIGHTNING ARRESTER, LTG LIGHTING, MC METAL CLAD, MCB MAIN CIRCUIT BREAKER, MFR MANUFACTURER, MI MINERAL INSULATED, MLO MAIN LUG ONLY, MTD MOUNTED, MV MEDIUM VOLTAGE, NC NORMALLY CLOSED, NEC NATIONAL ELECTRICAL CODE, NEG NEGATIVE, NEUT NEUTRAL, NIC NOT IN CONTRACT, NO NORMALLY OPEN, NTS NOT TO SCALE, PF POWER FACTOR, PH PHASE, PVC POLYVINYL CHLORIDE, RGS RIGID STEEL CONDUIT, RSC RIGID STEEL CONDUIT, RTD RESISTANCE TEMPERATURE DETECTOR, SN SOLID NEUTRAL, STP SHIELDED TWISTED PAIR, STT SHIELDED TWISTED TRIPLET, SWBD SWITCHBOARD, SWGR SWITCHGEAR, TOS TOP OF STEEL, TRANSF TRANSFORMER, TVSS TRANSIENT VOLTAGE SURGE SUPPRESSOR, V VOLT, VA VOLT-AMPERE, VAR VOLT-AMPERE REACTIVE, WM WATT METER, WP WEATHER PROOF, XFMR TRANSFORMER, XP EXPLOSION PROOF.

GENERAL NOTES:

- 1. WORK SHALL BE PERFORMED IN ACCORDANCE WITH NFPA-70, NATIONAL ELECTRICAL CODE (NEC).
2. ALL MOTOR SAFETY SWITCHES, DISCONNECTS AND MOTOR STARTERS ARE PROVIDED BY DIVISION 16000 UNLESS NOTED AS FURNISHED WITH EQUIPMENT (FWE).
3. UNLESS OTHERWISE NOTED CONVENIENCE RECEPTACLES SHALL BE MOUNTED 18-INCHES AFF, LIGHTING TOGGLE SWITCHES 48-INCHES AFF, DATA SYSTEM OUTLETS 18-INCHES AFF, FIRE ALARM NOTIFICATION DEVICES 80-INCHES AFF OR 6-INCHES BELOW CEILING, WHICHEVER IS LOWER, AND FIRE ALARM MANUAL PULL STATIONS 48-INCHES TO TOP OF DEVICE.
4. ALL PENETRATIONS THROUGH FLOORS, RATED WALLS AND PARTITIONS SHALL BE SEALED WITH UL APPROVED FIRE SEALANT MATERIAL TO MAINTAIN THE RATING OF SEPARATION.
5. ALL ENCLOSURES, CONDUIT BODIES AND THEIR COVERS CONTAINING FIRE ALARM SYSTEM CONDUCTORS SHALL BE PAINTED RED.
6. AN EQUIPMENT GROUNDING CONDUCTOR SHALL BE INSTALLED WITH EVERY FEEDER AND BRANCH CIRCUIT.
7. UNLESS OTHERWISE NOTED WIRING SHALL BE #212 AWG CONDUCTORS AND #12 GND. HOME RUNS FED FROM 20A-1P CIRCUITS IN EXCESS OF 100 FEET SHALL BE #10 AWG.
8. FLEXIBLE CONNECTIONS TO MOTORS SHALL BE LIQUID TIGHT FLEXIBLE METAL CONDUIT, UNLESS OTHERWISE NOTED.
9. LIGHTING TOGGLE SWITCHES SHALL BE COMMERCIAL SPECIFICATION GRADE 120/277 VOLT, SIDE WIRED AND PROVIDED WITH GROUNDING SCREW. PROVIDE LEVITON WIRING DEVICES. COLOR TO BE IVORY.
10. CONVENIENCE RECEPTACLES SHALL BE COMMERCIAL SPECIFICATION HOSPITAL GRADE TAMPER RESISTANT GROUNDING TYPE NEMA 5-20R, SIDE WIRED, LEVITON MODEL #8300-SGI. COLOR TO BE IVORY.
11. PROVIDE WALL PLATES FOR ALL WIRING DEVICES, NYLON SMOOTH TYPE IN FINISHED AREAS AND GALVANIZED IN UNFINISHED AREAS. ALL WIRING DEVICES PLATES TO BE PROVIDED WITH TAMPER PROOF SCREWS.
12. ALL WIRING SHALL BE 600V, COPPER WITH THHN/THWN INSULATION.

GENERAL NOTE

ALL GENERAL NOTES, SYMBOL LISTS, AND DETAILS ARE TO BE CONSIDERED AS APPLICABLE TO ALL ELECTRICAL DRAWINGS FOR THIS PROJECT. SYMBOLS AND ABBREVIATIONS SHOWN ON THIS SHEET ARE FOR REFERENCE ONLY AND DO NOT INDICATE THEIR INCORPORATION IN THE DESIGN.



ARCHITECTURE: 144 Fore Street P.O. Box 618, Portland, Maine 04104. ENGINEERING: SMRT INTERIORS ENERGY. PROJECT NO.: JC-DRAWN. DATE: 12/21/17.

Table with columns: REV, DATE, ISSUED FOR CONSTRUCTION. Contains revision information.

SEBAGO TECHNOLOGIES logo and contact information: 75 John Roberts Rd., Suite 1A, South Portland, ME 04086.

LEGEND AND GENERAL NOTES OF: PORTLAND INTERNATIONAL JETPORT VERTICAL CIRCULATION IMPROVEMENTS. 1001 WESTBROOK STREET, PORTLAND, MAINE 04102.

Table with columns: DATE, SCALE. Values: 10-27-17, NONE.

2.E-001