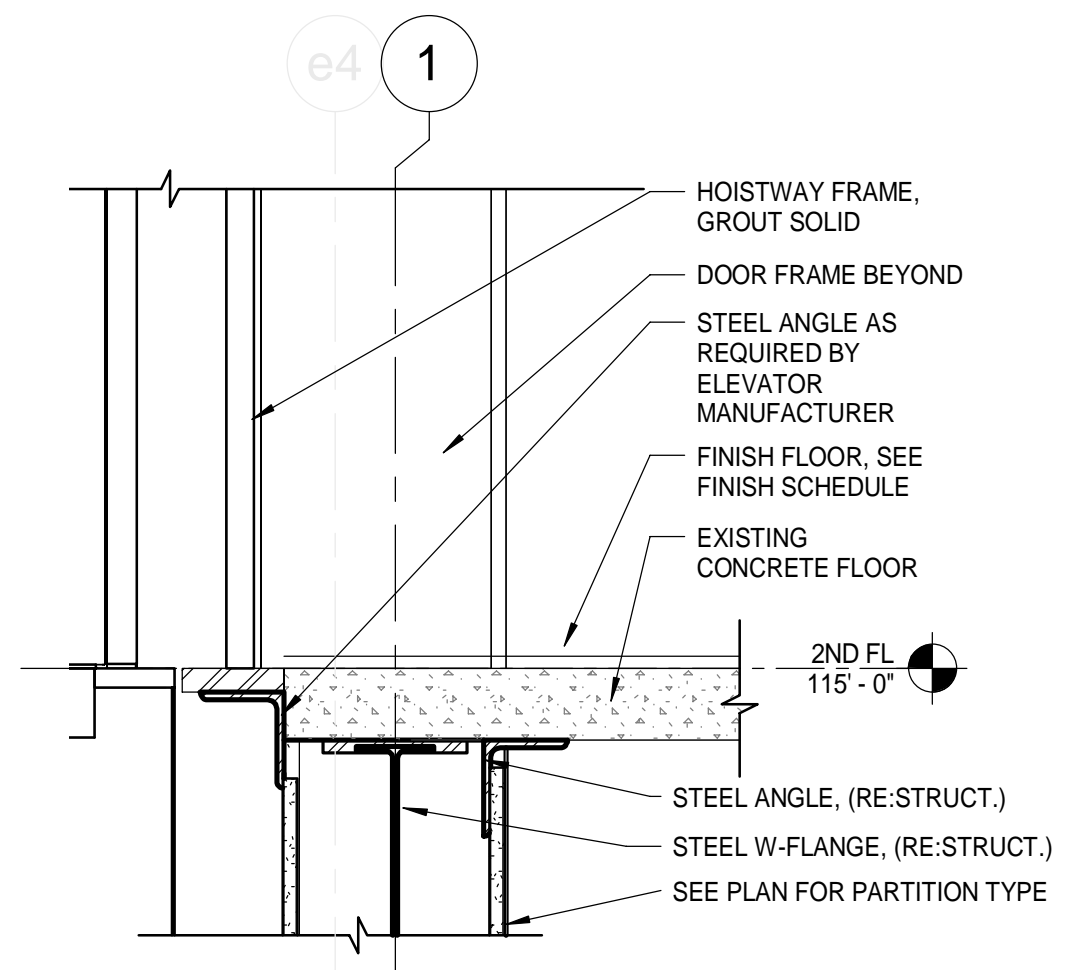
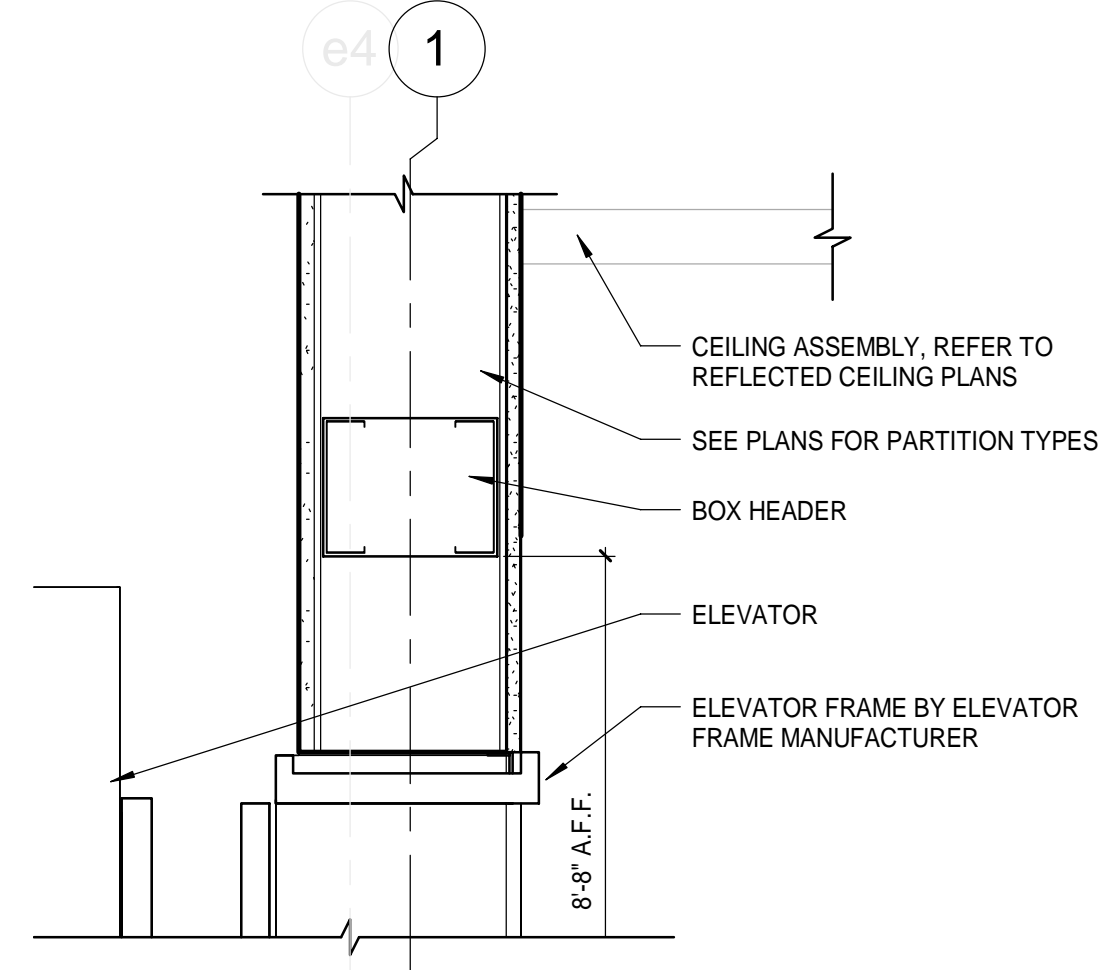


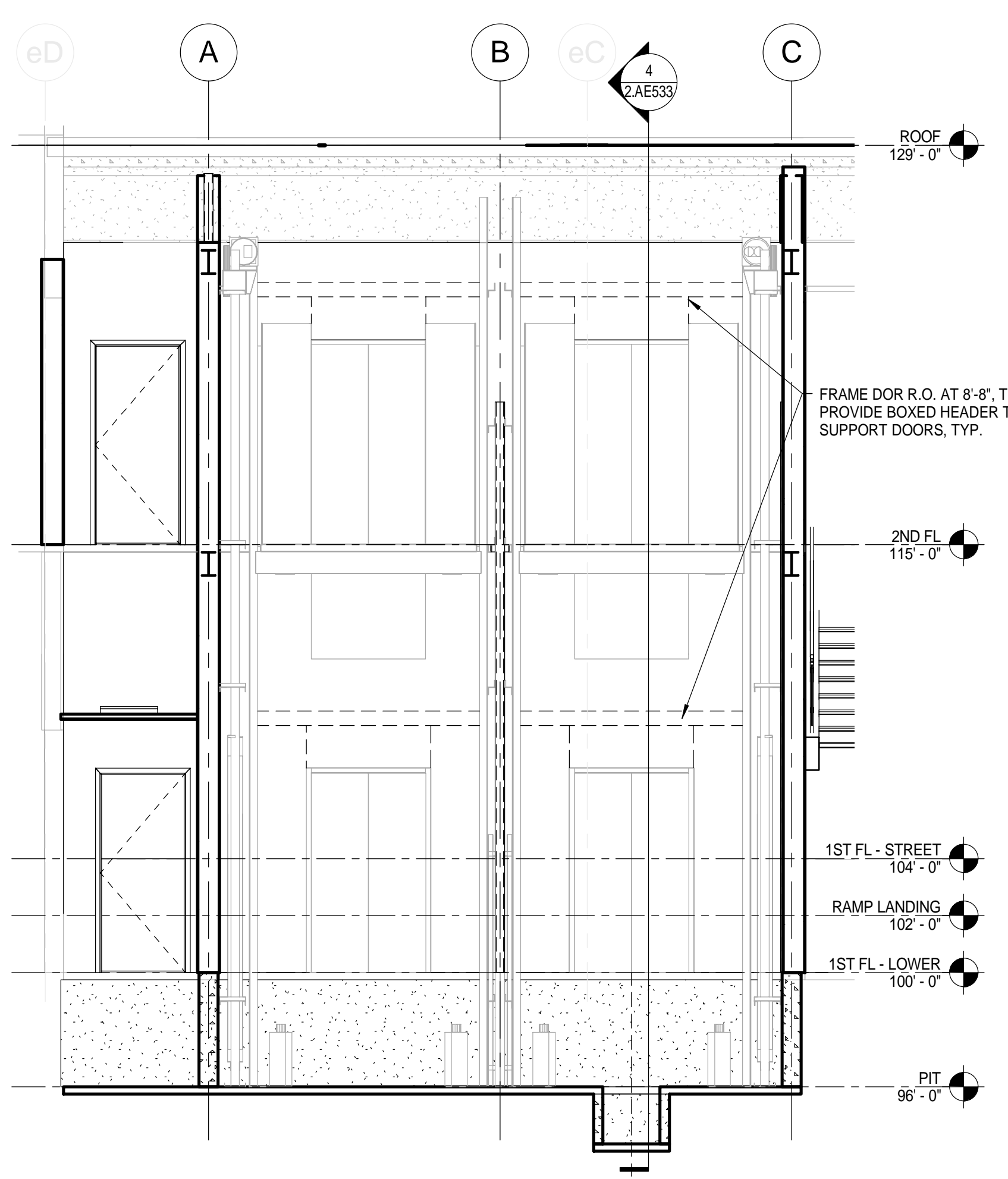
8 DETAIL - ROOF SECTION
1 1/2" = 1'-0"



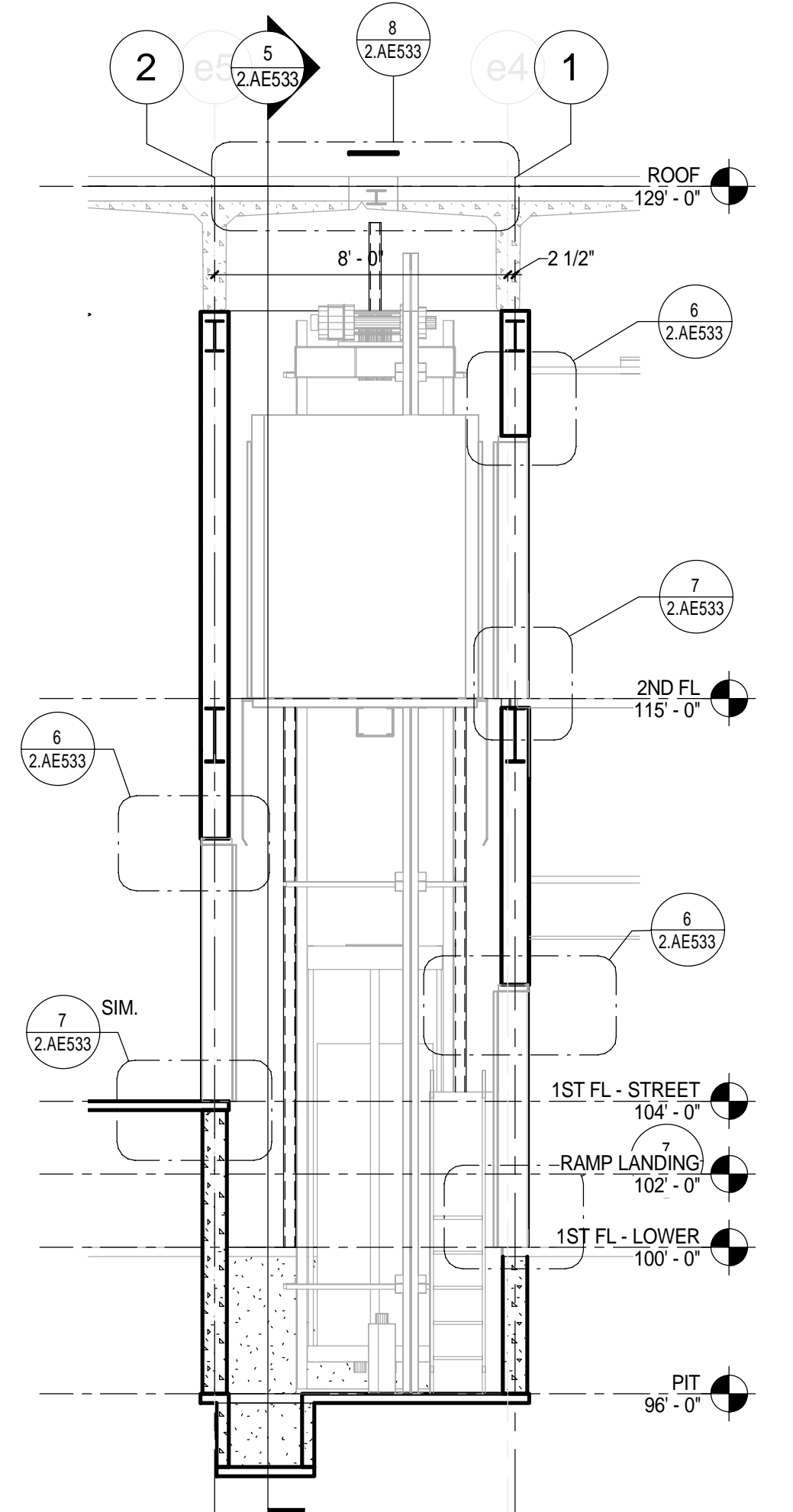
7 DETAIL - ELEVATOR DOOR SILL
1 1/2" = 1'-0"



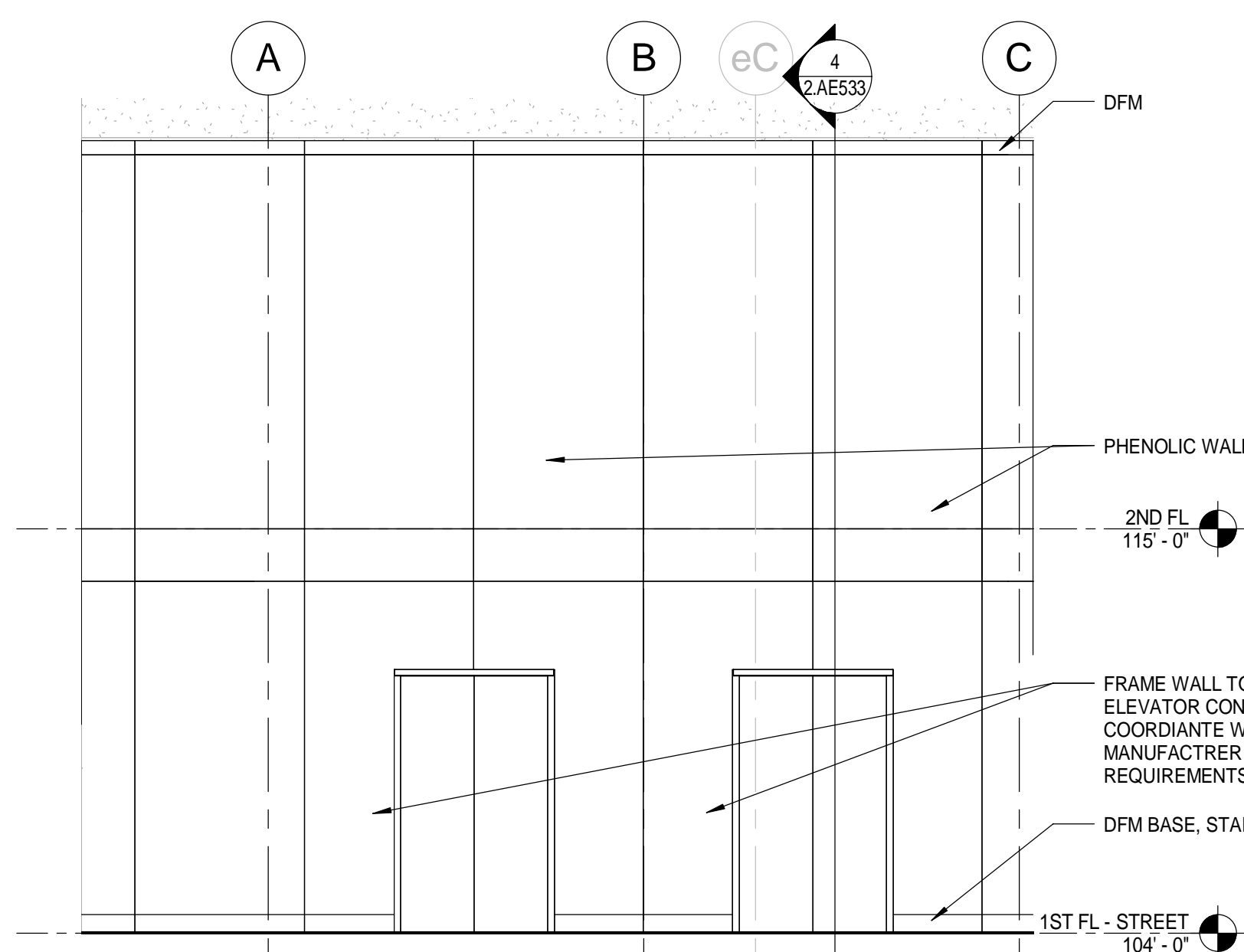
6 DETAIL - ELEVATOR DOOR HEAD
1 1/2" = 1'-0"



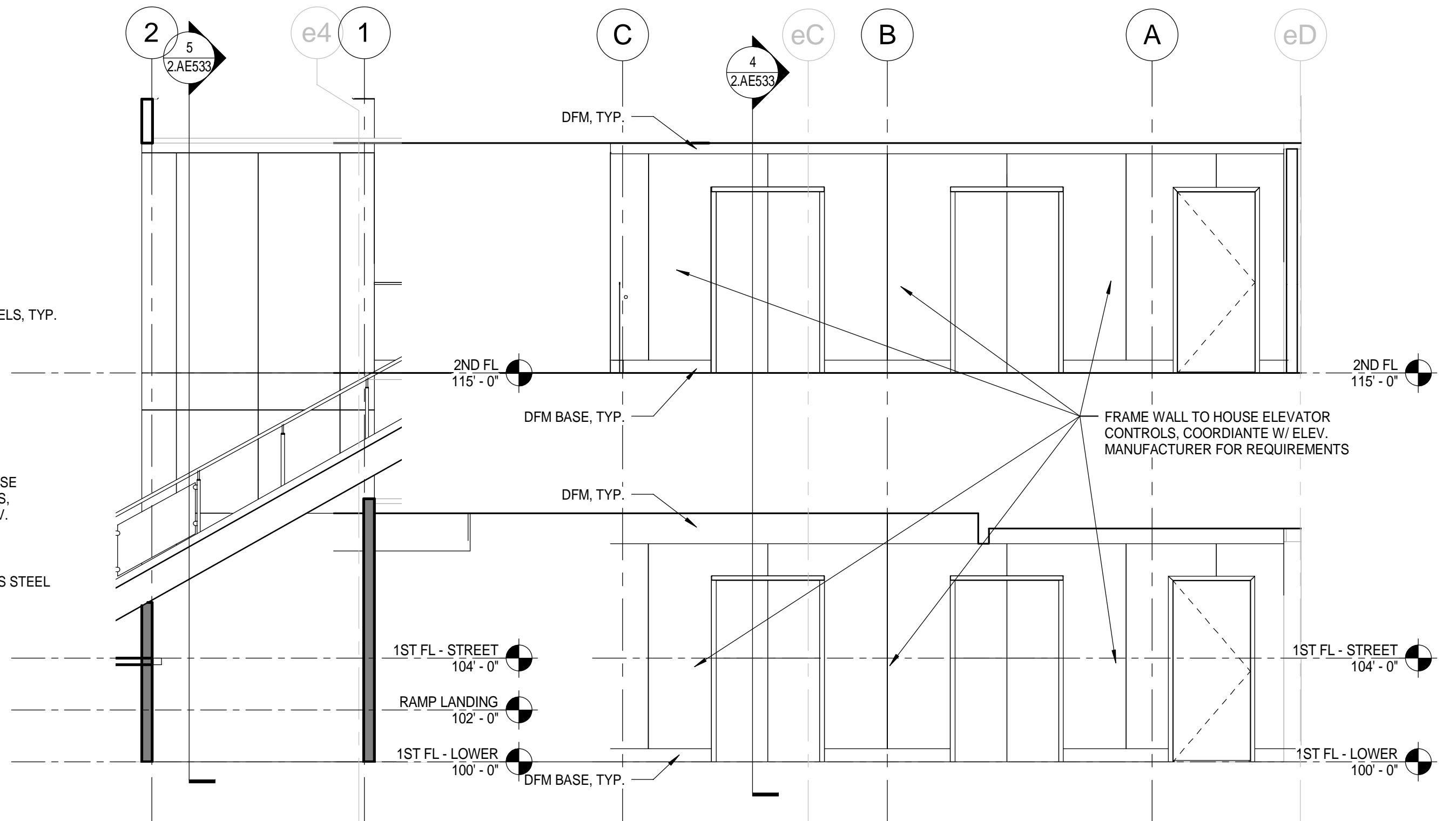
5 ELEVATOR SECTION
1/4" = 1'-0"



4 ELEVATOR SECTION
1/4" = 1'-0"

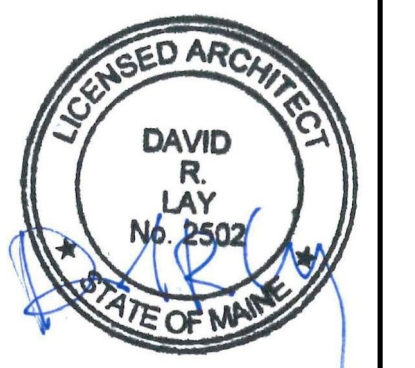


3 INTERIOR ELEVATION - ELEVATOR EAST
1/4" = 1'-0"



2 1-a
1/4" = 1'-0"

1 INTERIOR ELEVATION - ELEVATOR WEST
1/4" = 1'-0"



DAVID R. LAY
No. 2502
STATE OF MAINE
ARCHITECTURE 144 Fore Street P.O. Box 618
Portland, Maine 04104
Tel: (207) 775-3846
Fax: (207) 775-1070
www.srmtinc.com
SMRT PROJECT NO. 17033
PROJECT MGR JCDRAWN A/E OF RECORD
MOH DRL
ENGINEERING PLANNING INTERIORS ENERGY
SMRT PROJECT NO. 17033

ISSUED FOR CONSTRUCTION
DATE: 12/21/17
BY: 0
STATUS: 0
THIS PLAN SHALL NOT BE MODIFIED WITHOUT WRITTEN PERMISSION FROM SEBAGO TECHNICS, INC.
USERS ASSUME RISK AND WITHOUT LIABILITY TO SEBAGO TECHNICS, INC.

SEBAGO TECHNICS
WWW.SEBAGOTECHNICS.COM
75 John Roberts Rd. - Suite 1A
South Portland, ME 04086
Tel: (207) 775-5660
Fax: (207) 775-5660
PROJECT NO. 17033
FIELD BOOK DESIGN CHKD DRAWN

ELEVATOR DETAILS
OF:
PORTLAND INTERNATIONAL JETPORT
VERTICAL CIRCULATION IMPROVEMENTS
1001 WESTBROOK STREET
PORTLAND, MAINE 04102

DATE: 12/21/17
SCALE: As indicated

2.AE533