

DAVID R. LAY  
No. 2502  
STATE OF MAINE

ARCHITECTURE 144 Fore Street P.O. Box 618  
Portland, Maine 04104  
Tel: (207) 775-3846  
Fax: (207) 775-1070  
www.srmlinc.com

ENGINEERING  
PLANNING  
INTERIORS  
ENERGY

SMART PROJECT NO. PROJECT MGR. JCDRAWN JAE OF RECORD  
DRL MOH DRL

ISSUED FOR CONSTRUCTION  
DATE: 12/21/17  
STATUS: AS SHOWN  
THIS PLAN SHALL NOT BE MODIFIED WITHOUT WRITTEN PERMISSION FROM SEBAGO TECHNICS, INC.  
REVISIONS: 0

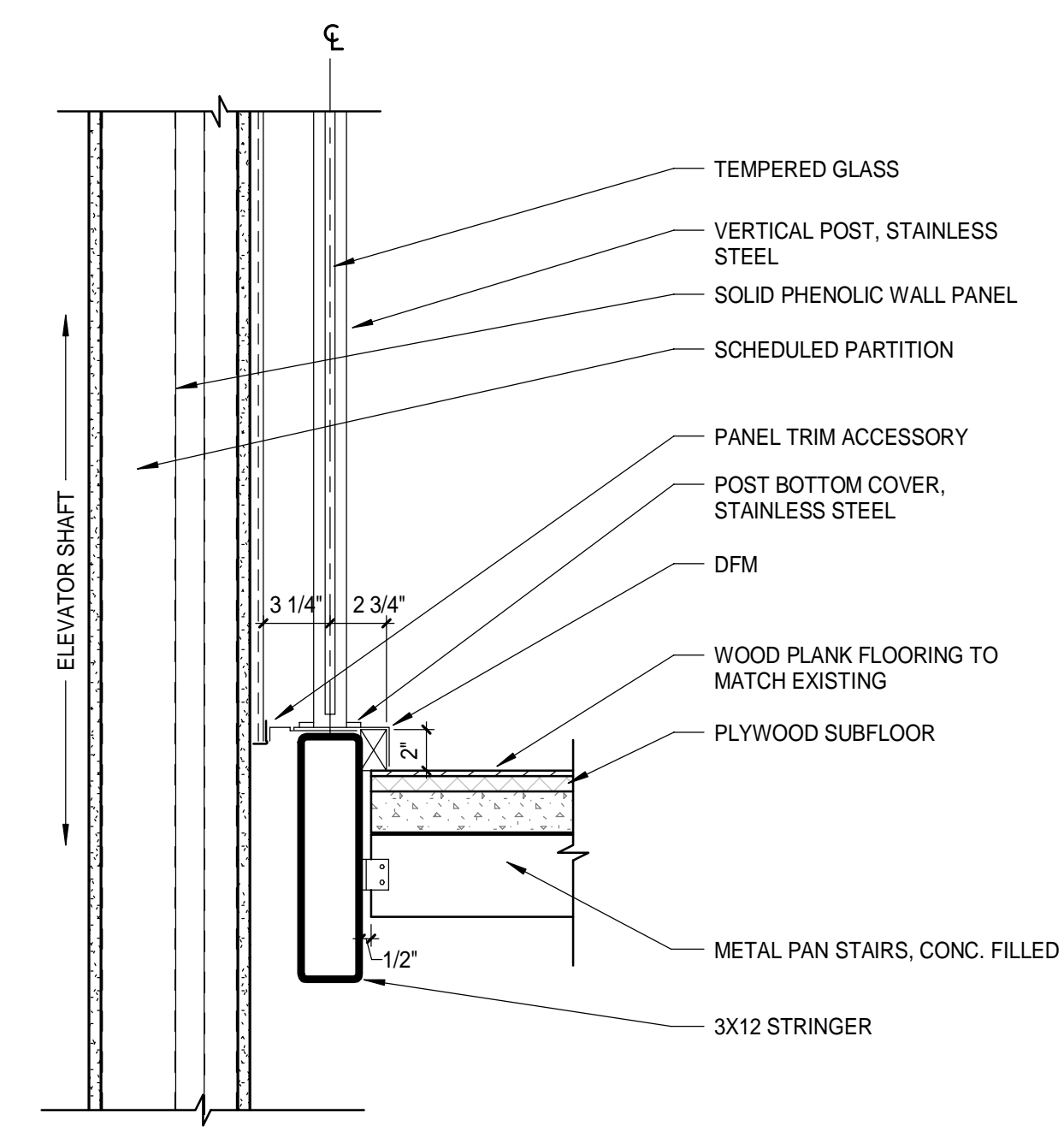
SEBAGO TECHNICS  
WWW.SEBAGOTECHNICS.COM  
75 John Roberts Rd., Suite 1A  
South Portland, ME 04086  
Tel: (207) 202-1100  
Fax: (207) 725-5660

PROJECT NO. 1 FIELD BOOK DESIGN CHKD DRAWN

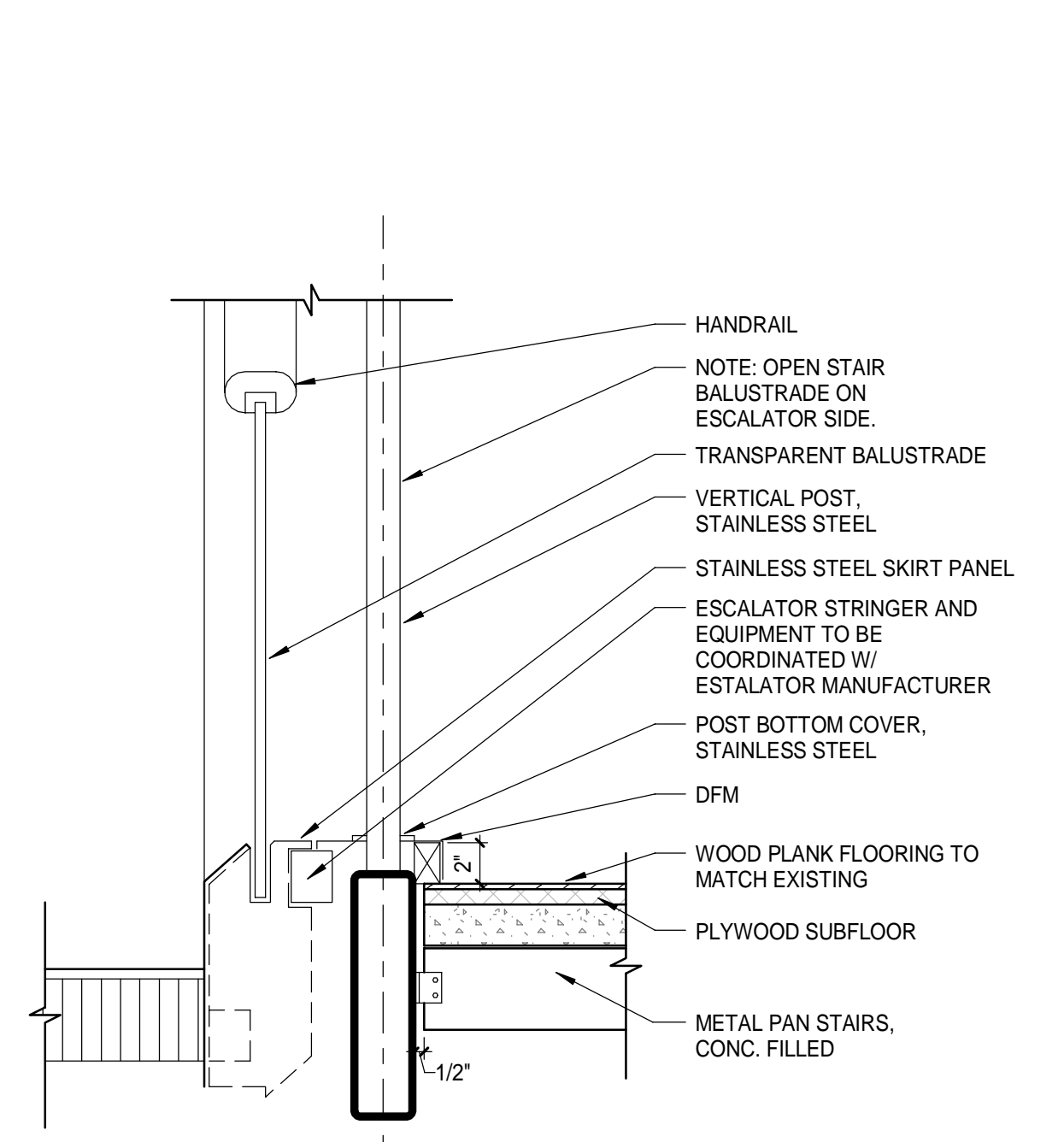
STAIR DETAILS  
OF:  
PORTLAND INTERNATIONAL JETPORT  
VERTICAL CIRCULATION IMPROVEMENTS  
1001 WESTBROOK STREET  
PORTLAND, MAINE 04102

DATE: 12/21/17 SCALE: As indicated

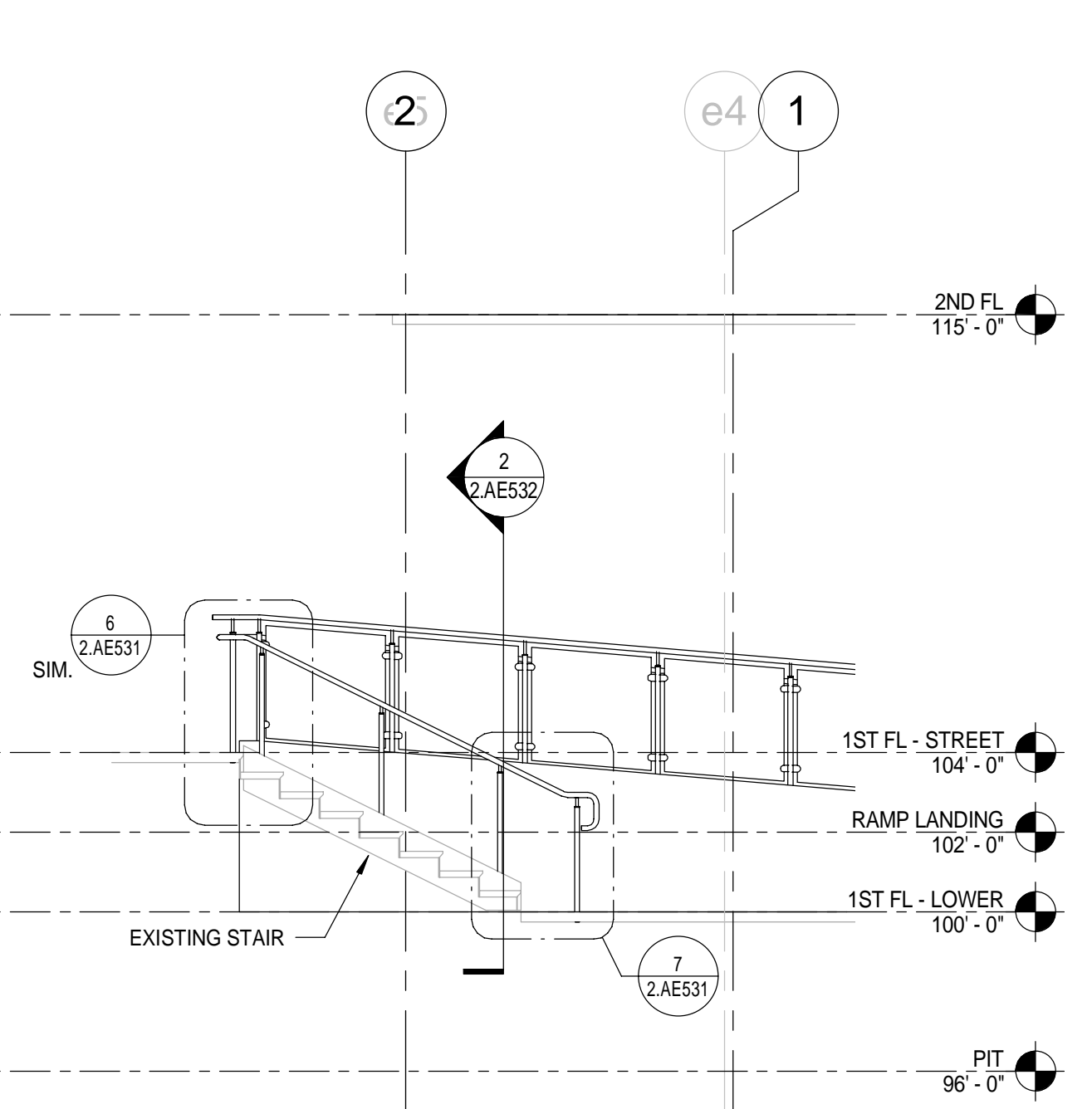
2.AE531



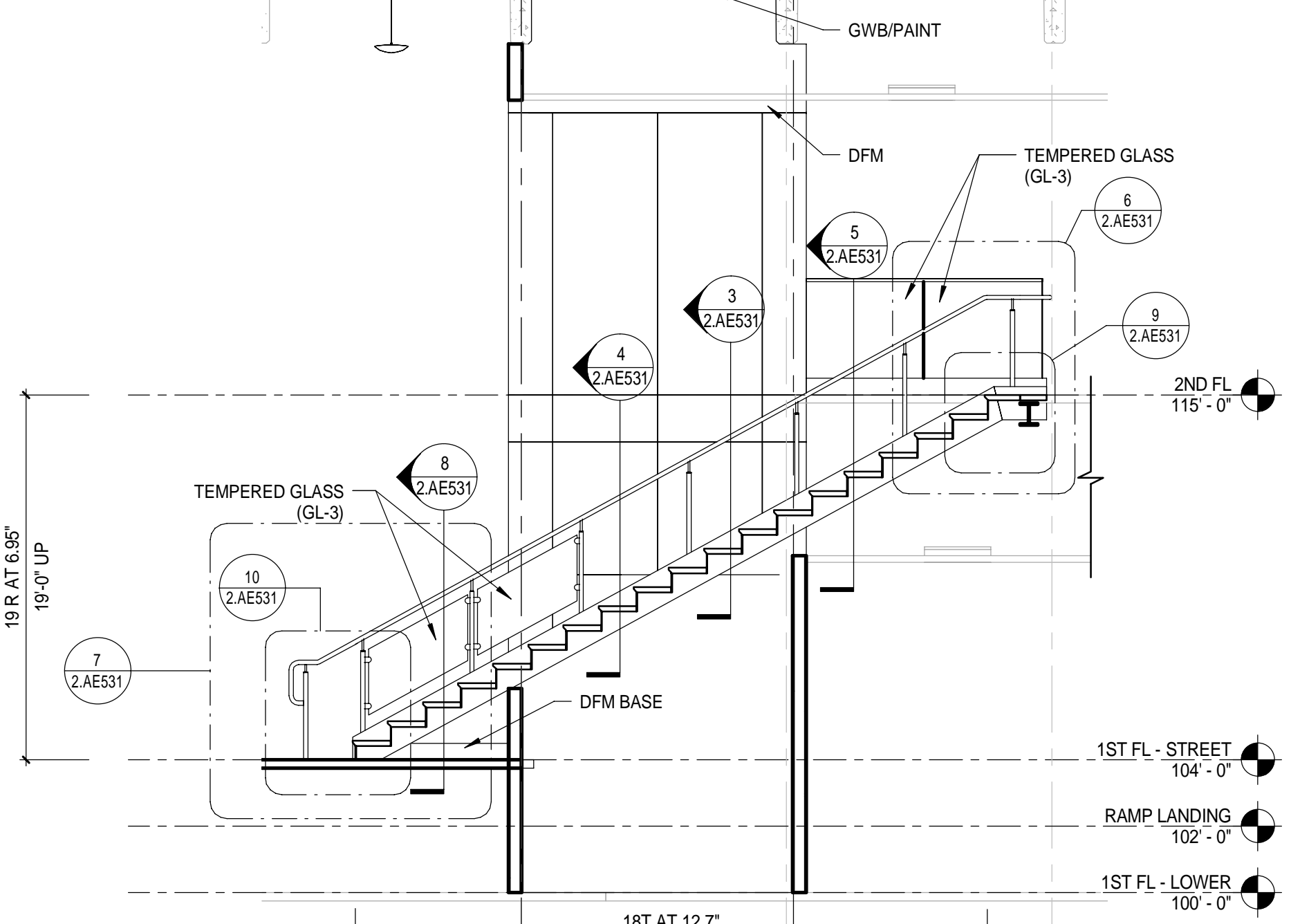
4 SECTION DETAIL - STAIR RAILING AT ELEVATOR SHAFT  
1 1/2" = 1'-0"



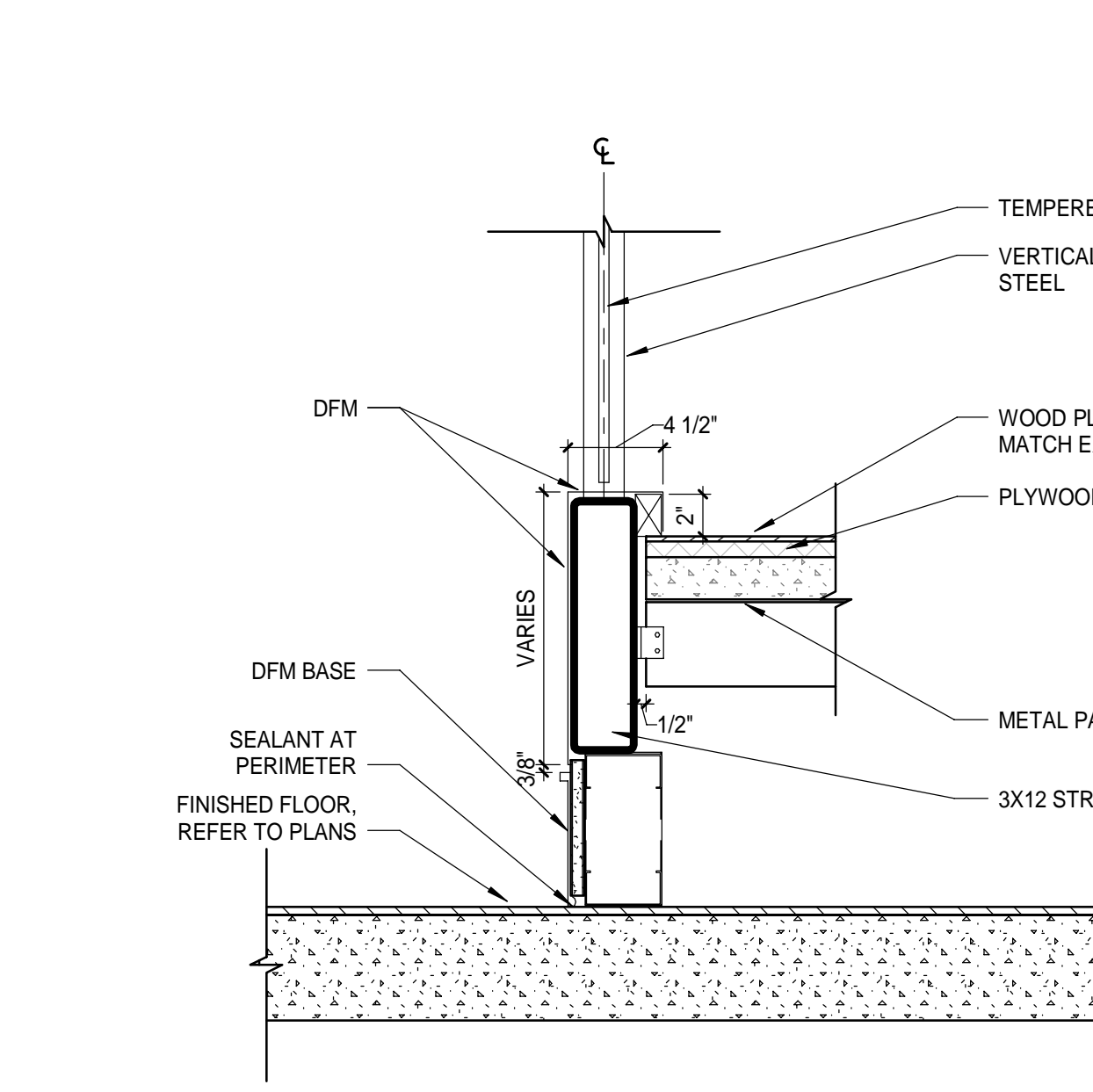
3 SECTION DETAIL - STAIR RAILING AT ESCALATOR  
1 1/2" = 1'-0"



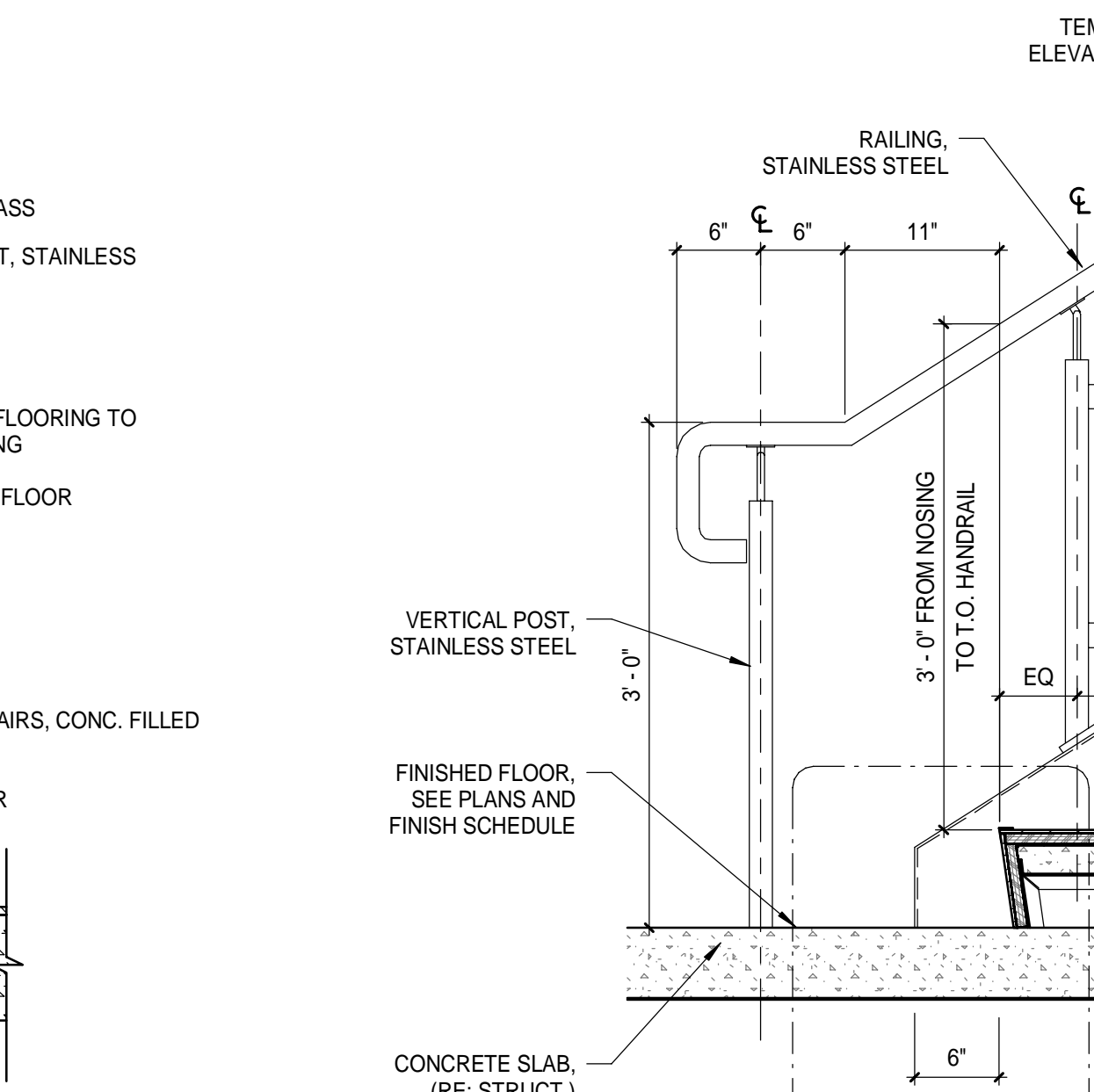
2 SMALL STAIR SECTION  
1/4" = 1'-0"



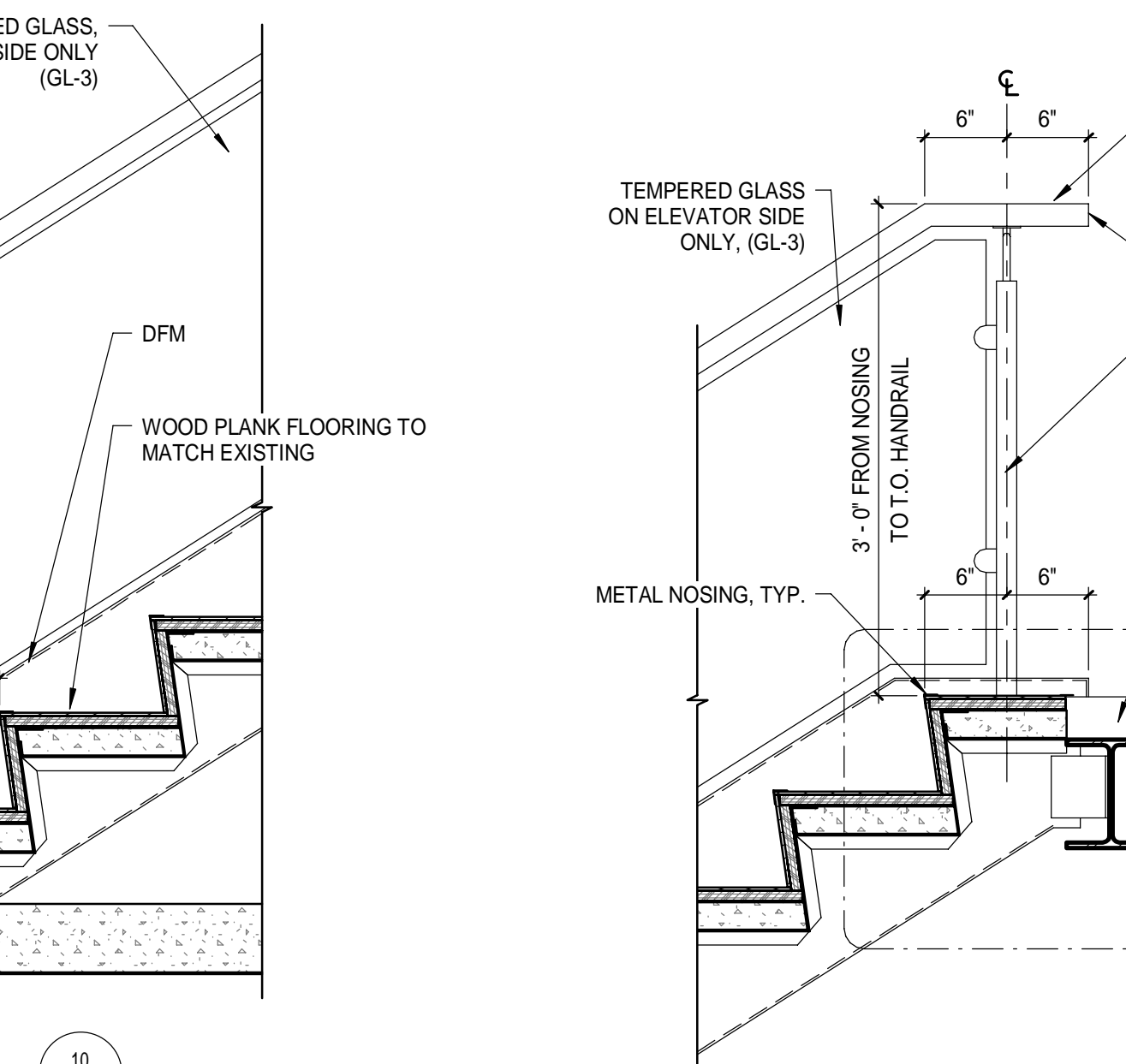
1 STAIR SECTION  
1/4" = 1'-0"



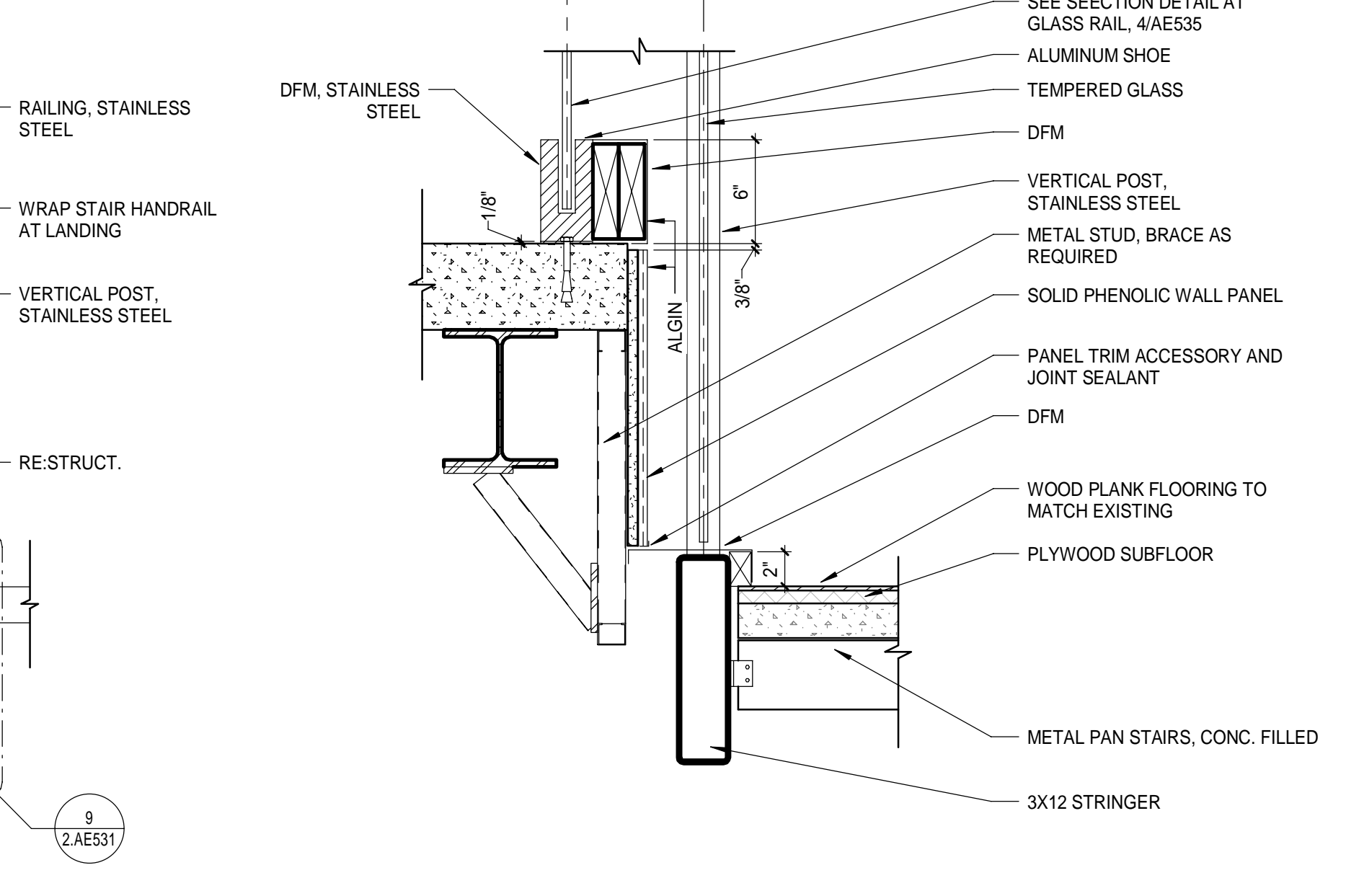
8 SECTION DETAIL AT STAIR BASE  
1 1/2" = 1'-0"



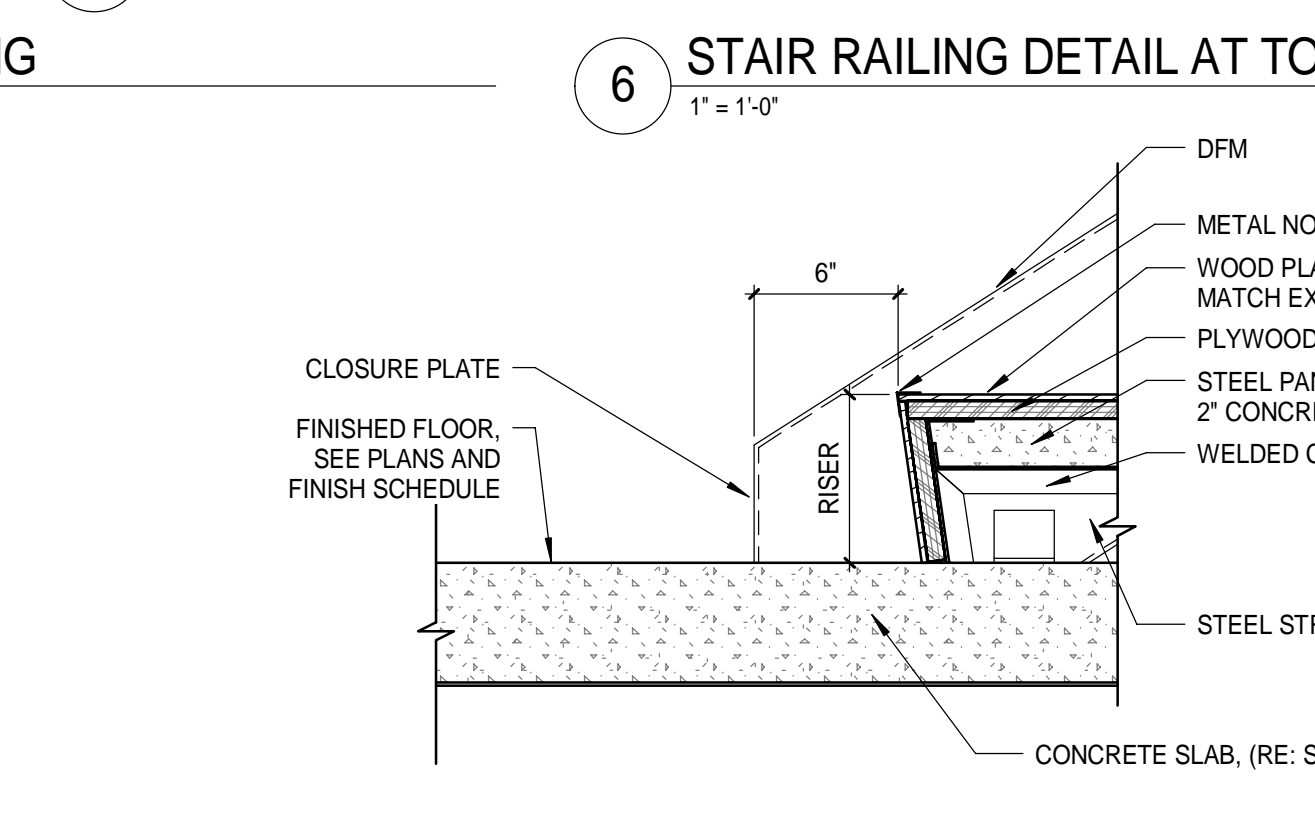
7 STAIR RAILING DETAIL AT BASE LANDING  
1" = 1'-0"



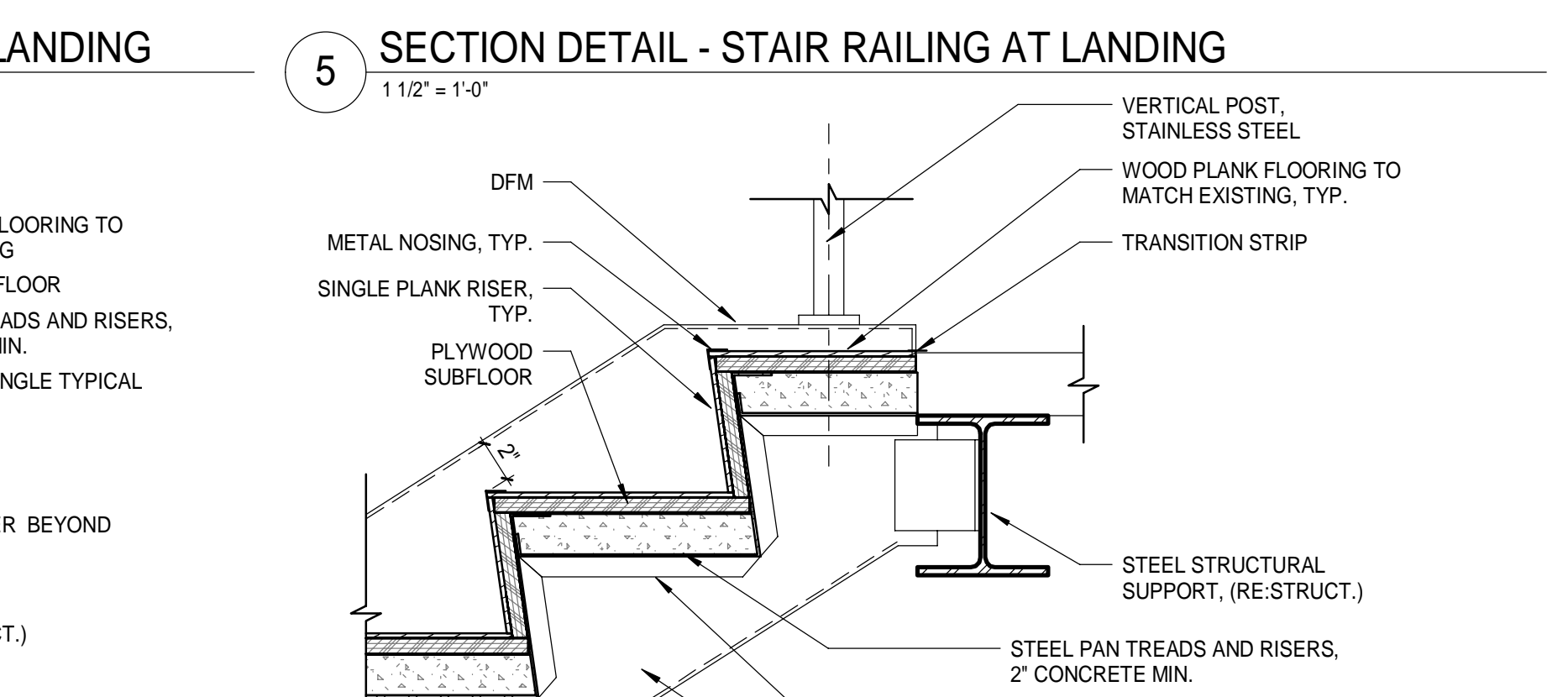
6 STAIR RAILING DETAIL AT TOP LANDING  
1" = 1'-0"



5 SECTION DETAIL - STAIR RAILING AT LANDING  
1 1/2" = 1'-0"



10 SECTION DETAIL AT STAIR BASE LANDING  
1 1/2" = 1'-0"



9 SECTION DETAIL AT TOP LANDING  
1 1/2" = 1'-0"