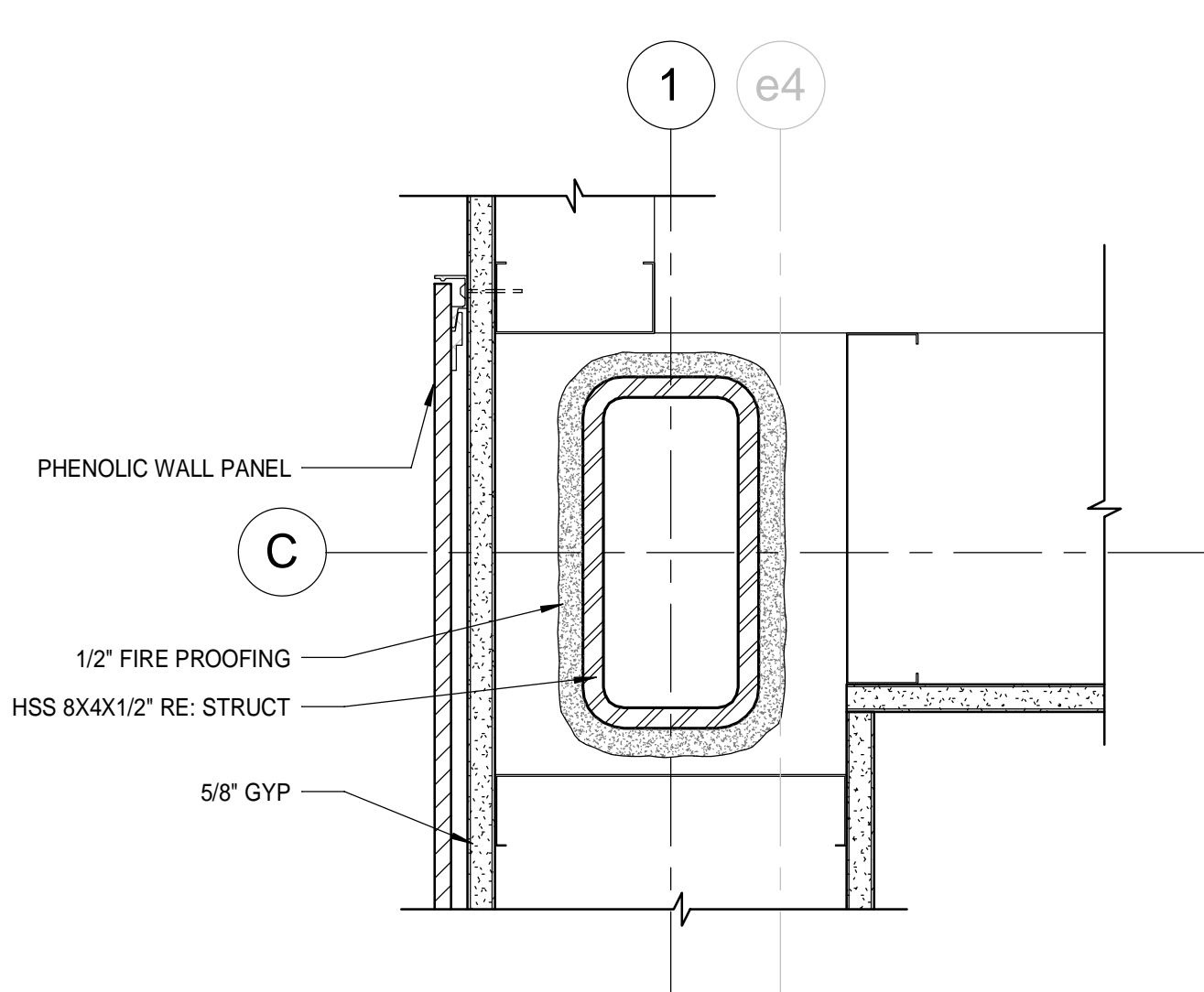
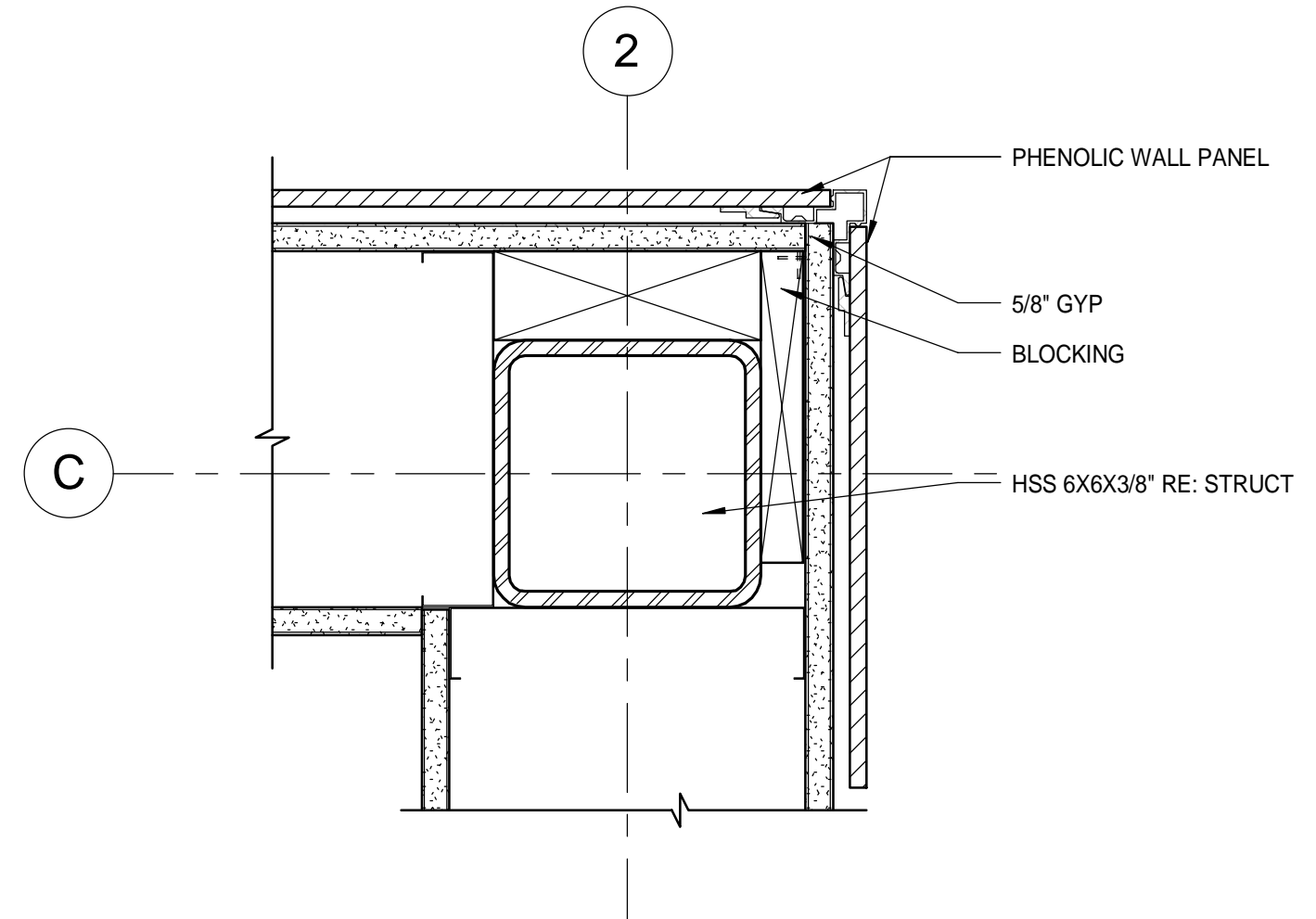


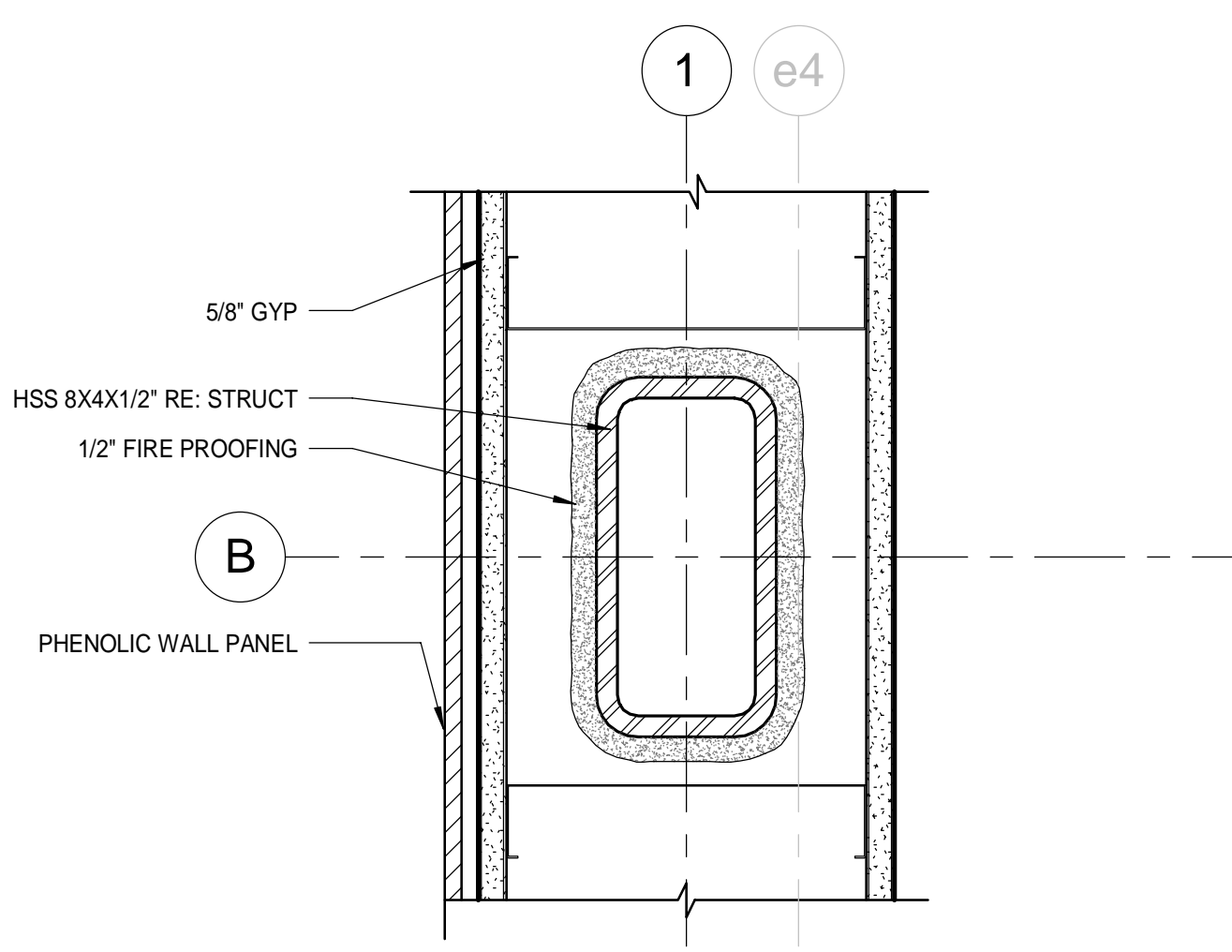
7 DETAIL @ ELEVATOR SHAFT 2ND FL
3" = 1'-0"



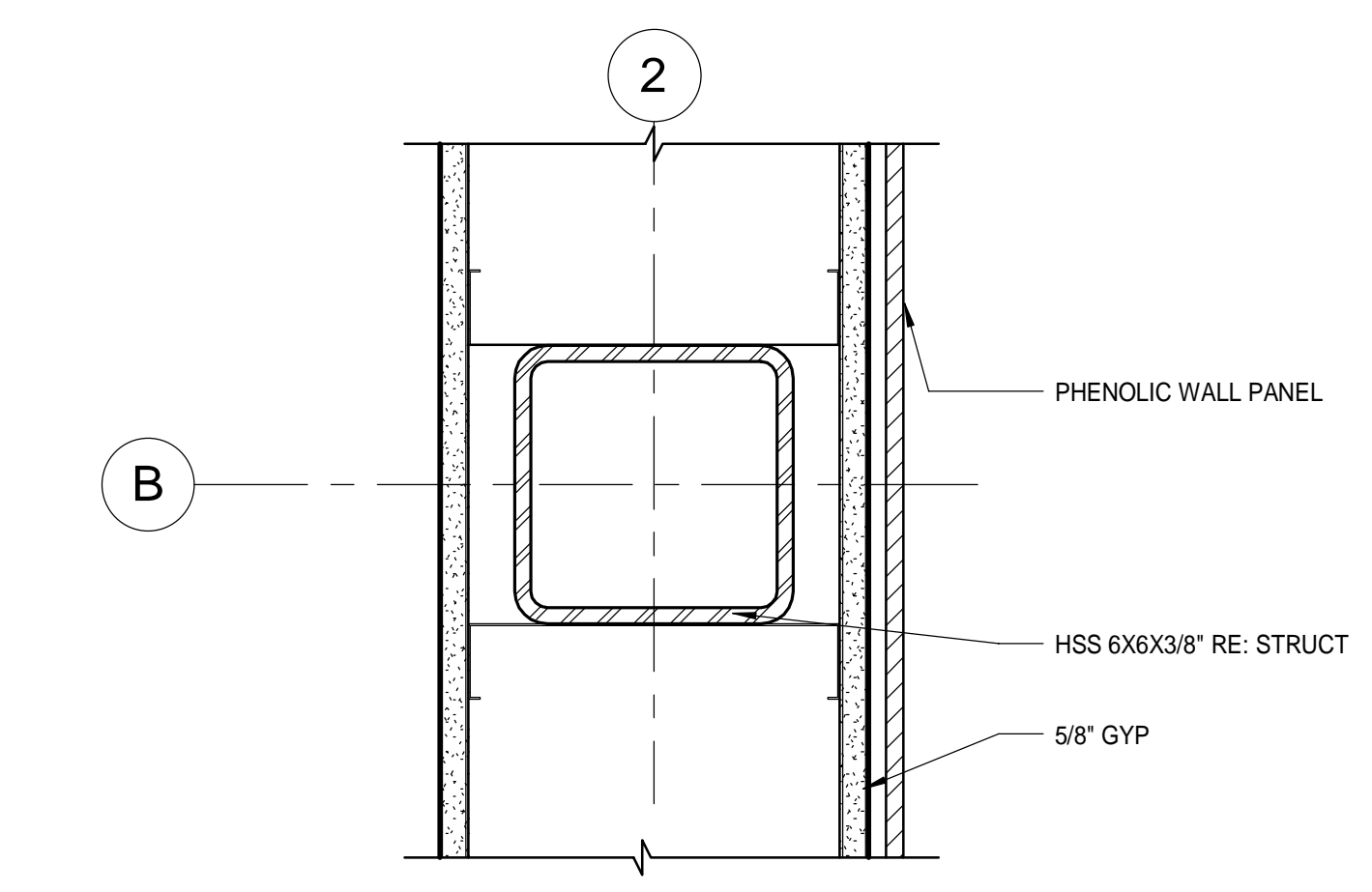
6 DETAIL @ ELEVATOR SHAFT 1ST FL LOWER LEVEL
3" = 1'-0"



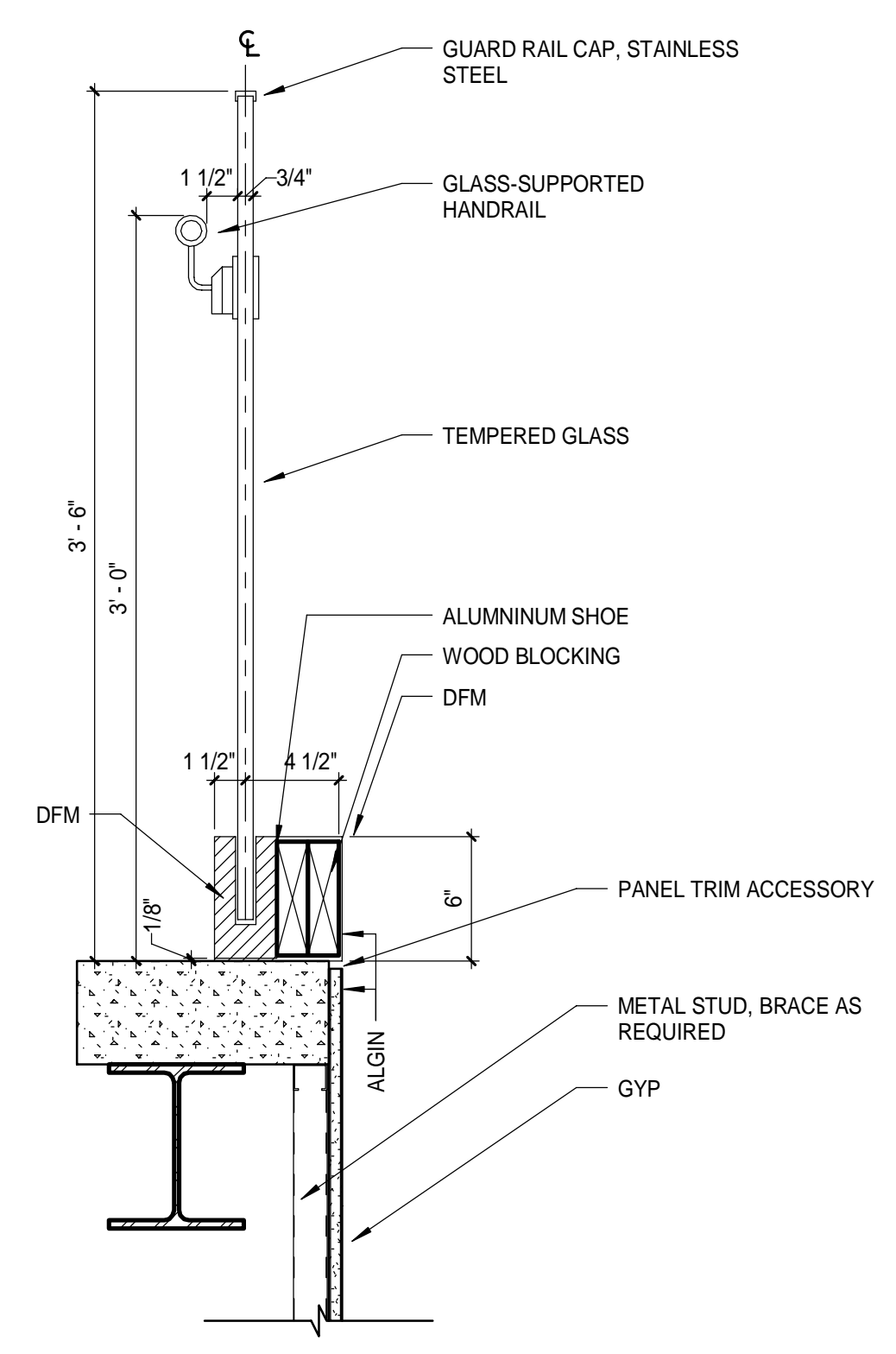
5 DETAIL @ ELEVATOR SHAFT
3" = 1'-0"



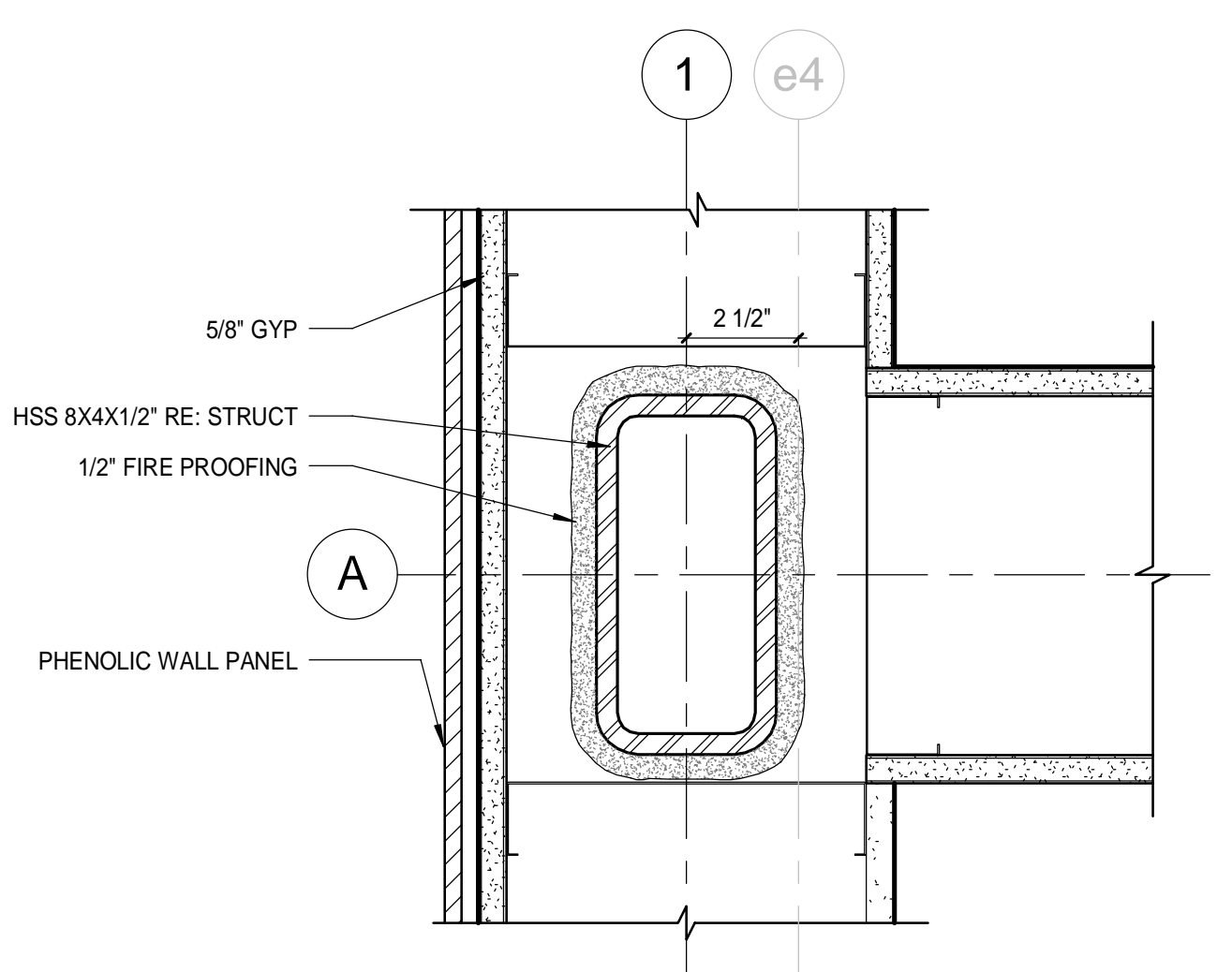
4 DETAIL @ ELEVATOR SHAFT
3" = 1'-0"



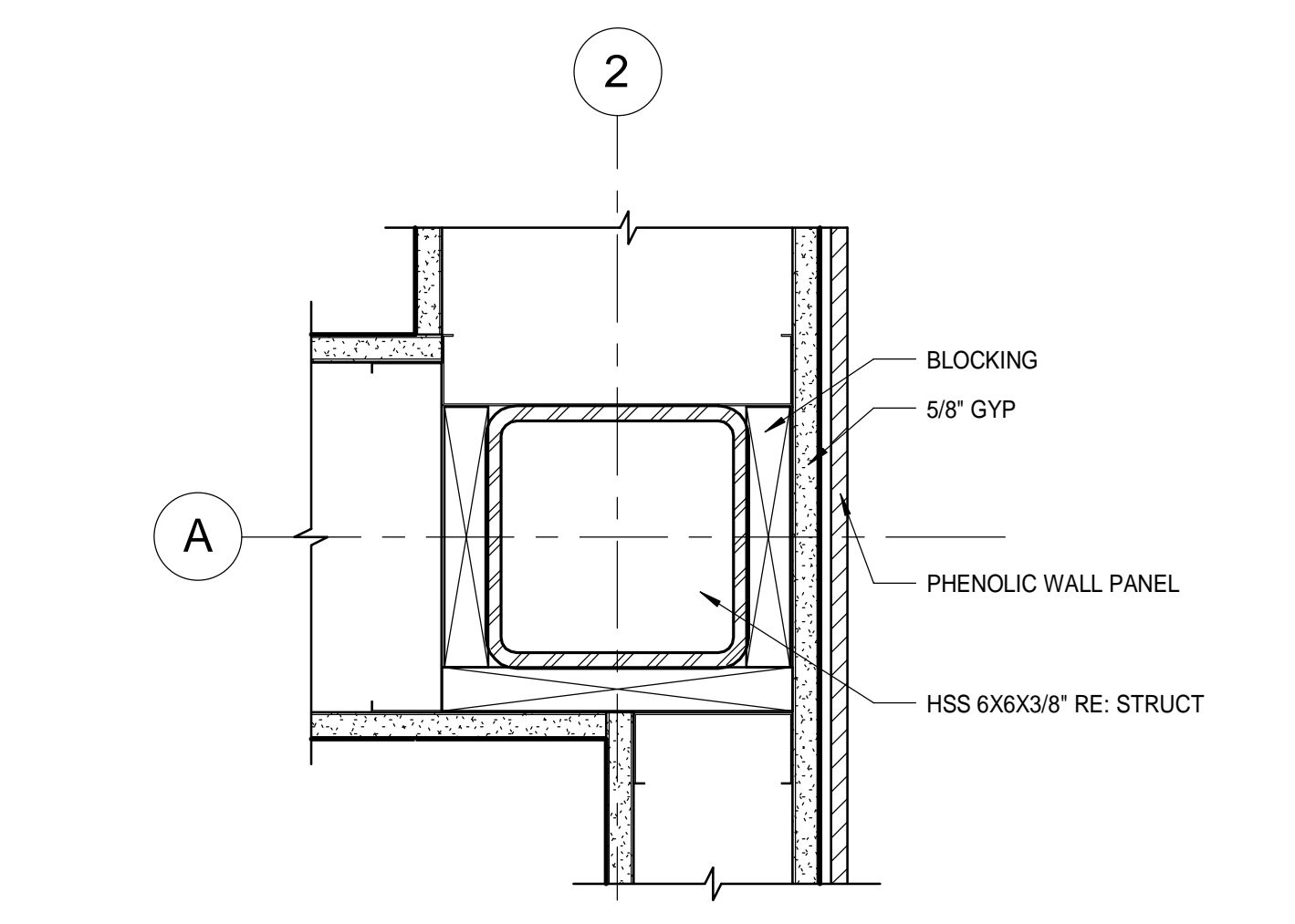
3 DETAIL @ ELEVATOR SHAFT
3" = 1'-0"



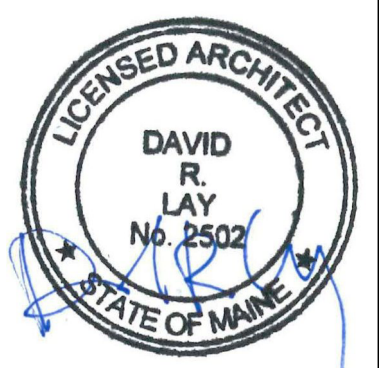
8 SECTION DETAIL AT GLASS RAIL
1 1/2" = 1'-0"



2 DETAIL @ ELEVATOR SHAFT
3" = 1'-0"



1 DETAIL @ ELEVATOR SHAFT
3" = 1'-0"



ARCHITECTURE 144 Fore Street, P.O. Box 618
Portland, Maine 04104
Tel: (207) 772-3846
Fax: (207) 772-1070
www.smrtinc.com

ENGINEERING
PLANNING
INTERIORS
ENERGY

SMRT PROJECT NO. 17033

PROJECT MGR JCDRAWN JAE OF RECORD
DRL Author Checker

REV.	DATE	BY	STATUS
0	12/21/17		ISSUED FOR CONSTRUCTION

THIS PLAN SHALL NOT BE MODIFIED WITHOUT WRITTEN PERMISSION FROM SEBAGO TECHNICS, INC. ALL CHANGES SHALL BE AT THE USER'S RISK AND WITHOUT LIABILITY TO SEBAGO TECHNICS, INC.

SEBAGO
TECHNICS

WWW.SEBAGOTECHNICS.COM
75 John Roberts Rd., Suite 1A
South Portland, ME 04086
Tel: (207) 772-3846
Fax: (207) 772-1070

PROJECT NO. | FIELD BOOK | DESIGN | CHKD | DRAWN

DETAILS
OF:
PORTLAND INTERNATIONAL JETPORT
VERTICAL CIRCULATION IMPROVEMENTS
1001 WESTBROOK STREET
PORTLAND, MAINE 04102

DATE	SCALE
12/18/17	As indicated

2.AE500