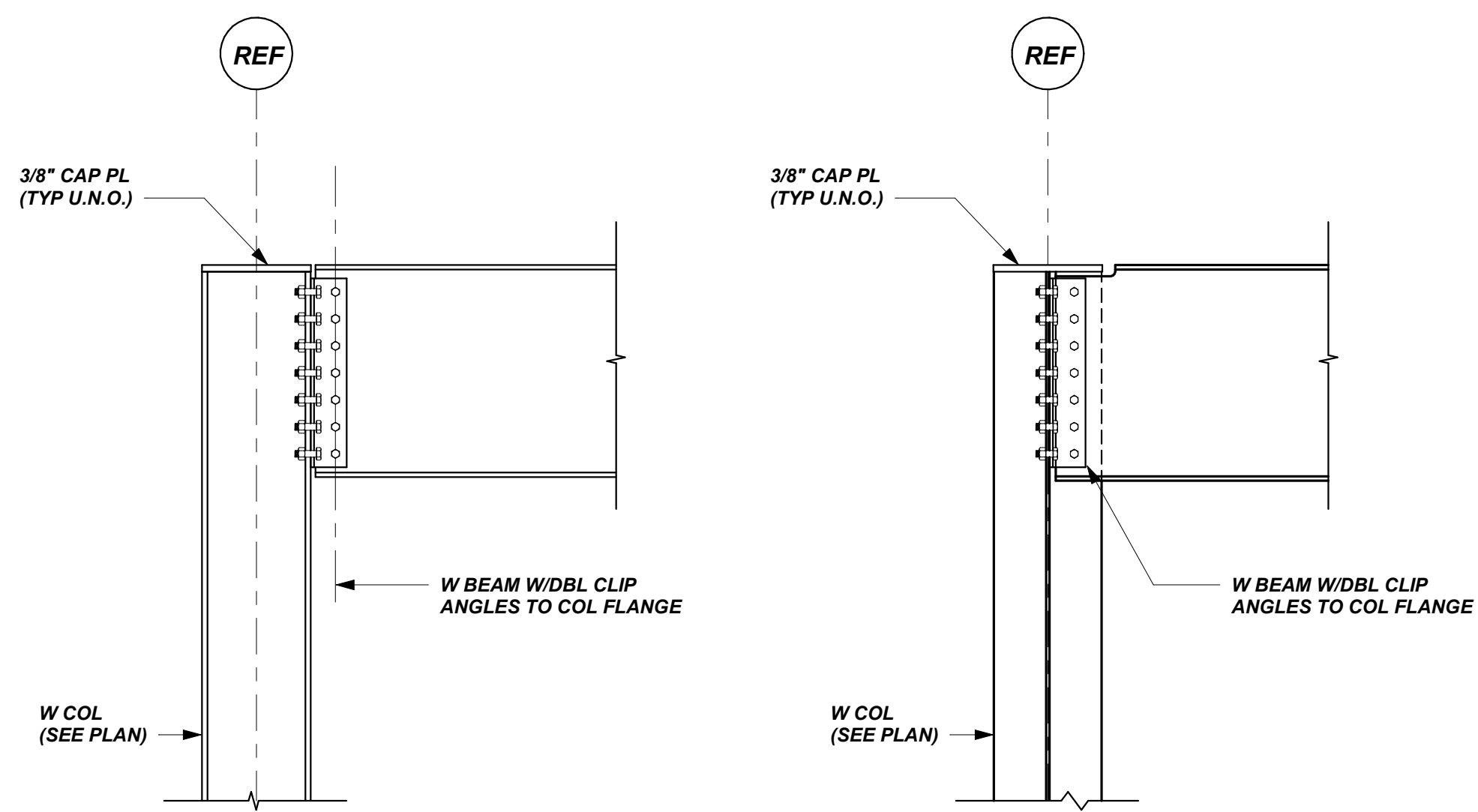


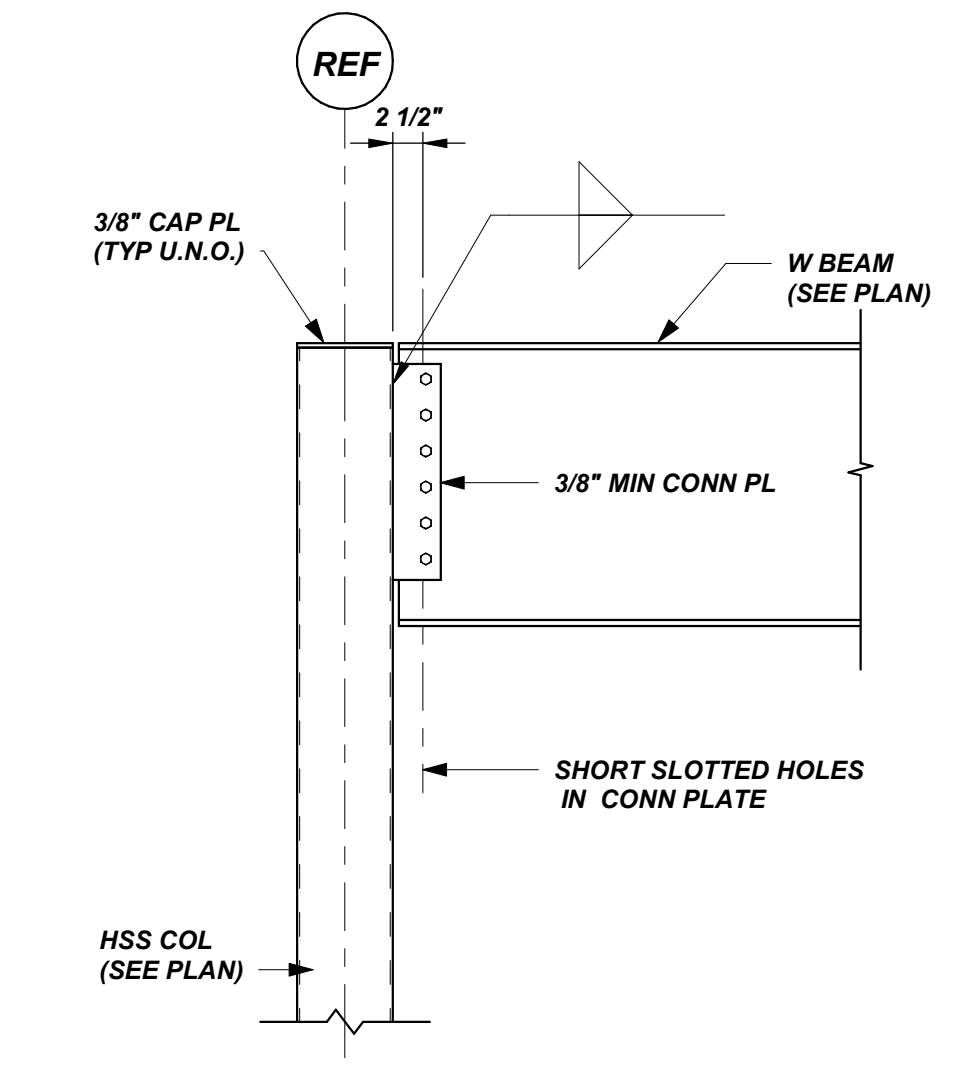
ARCHITECTURE 144 Fore Street, P.O. Box 618
Portland, Maine 04104
tel. (207) 772-3948
fax (207) 772-1070
www.srmtinc.com

ENGINEERING
PLANNING
INTERIORS
ENERGY

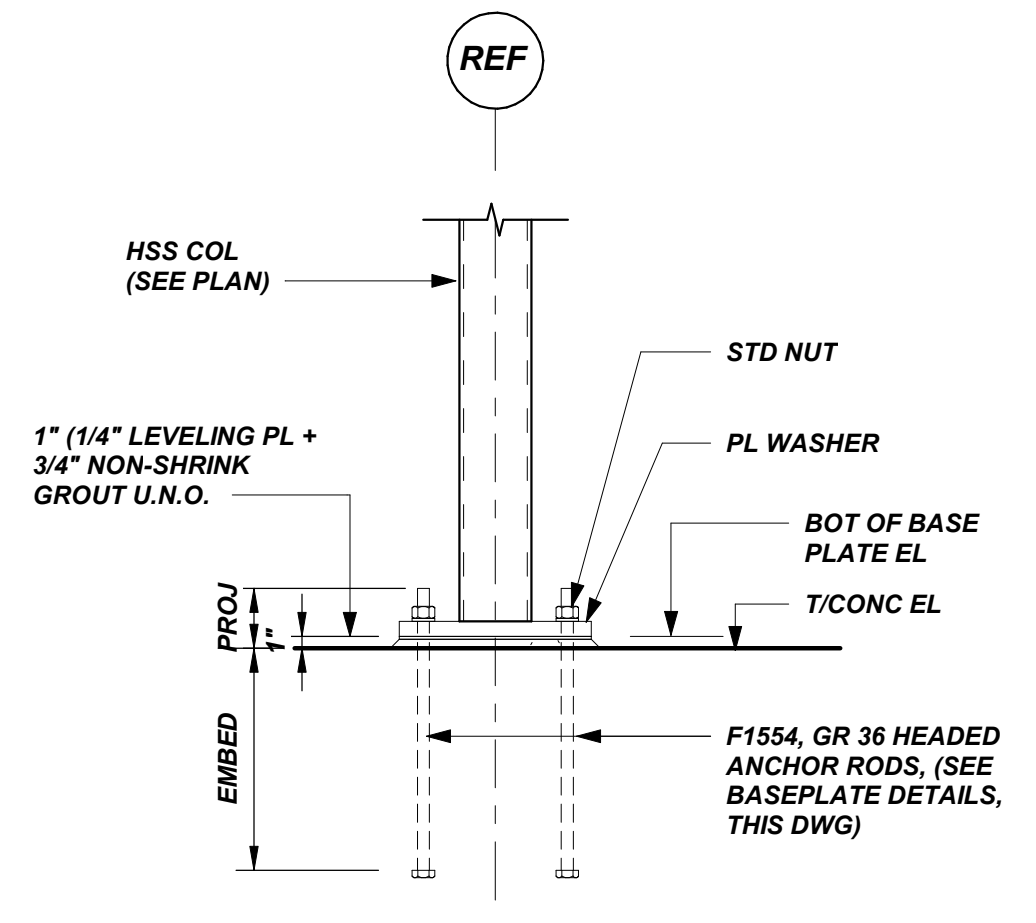
SMRT PROJECT NO. PROJECT MGR. LIC/DRAWN. A/E OF RECORD
4021 Author Checker



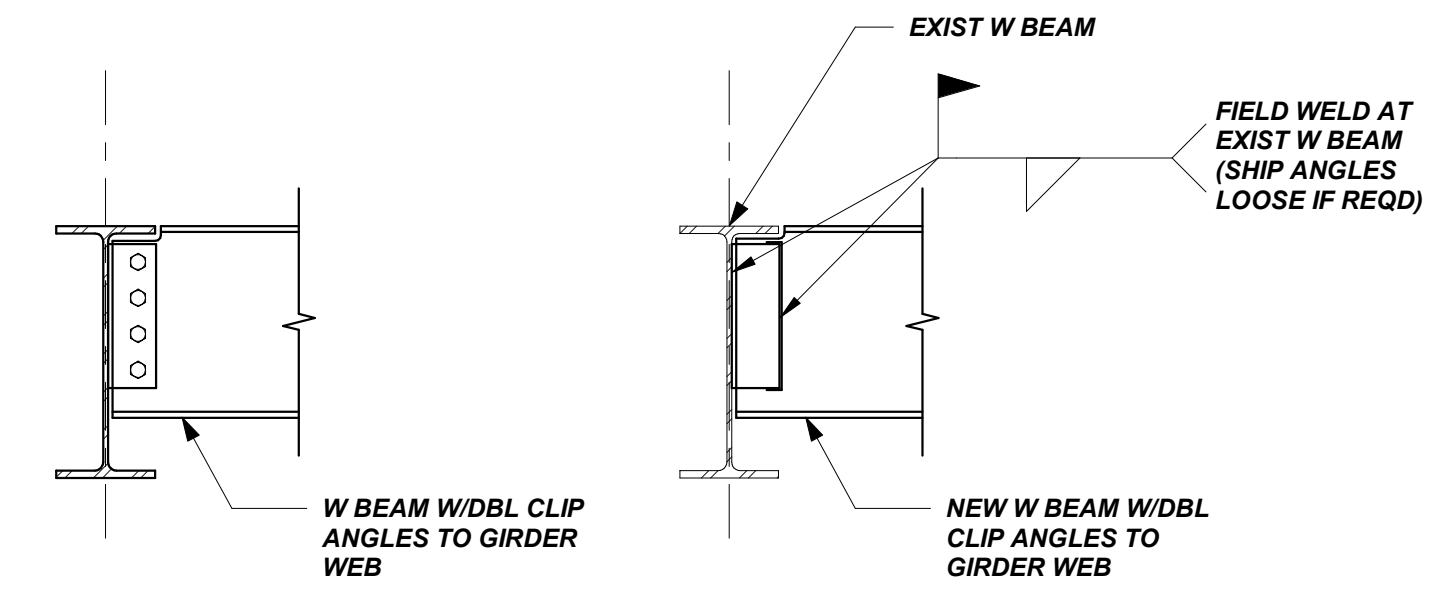
TYP BEAM TO W COL CONN DETAILS
N.T.S.



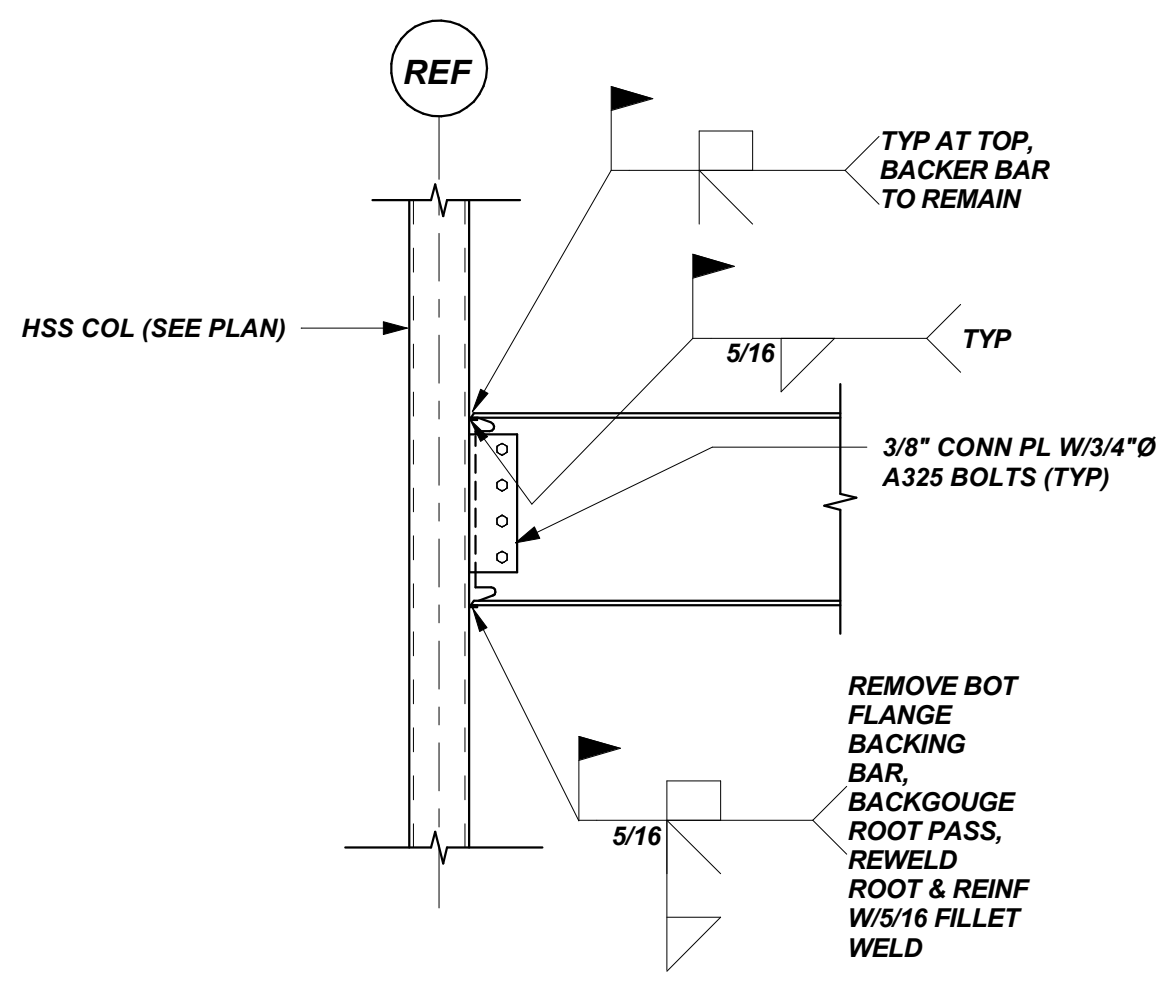
TYP BEAM TO HSS COL CONN U.N.O.
N.T.S.



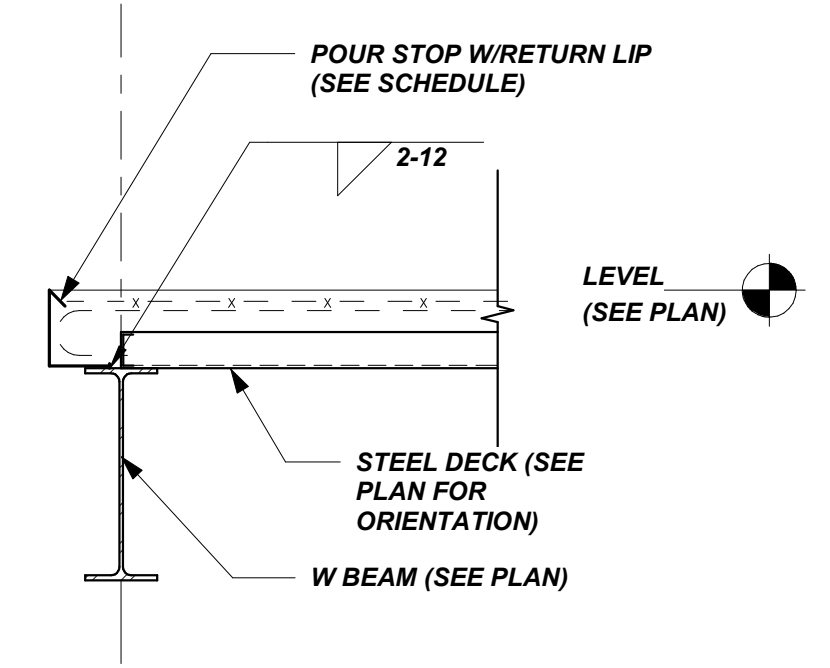
TYP COL BASE DETAIL U.N.O.
N.T.S.



TYP BEAM TO BEAM CONN DETAILS
N.T.S.



TYP W BEAM TO HSS COL MOMENT CONN DETAIL
N.T.S.



POUR STOP SCHEDULE

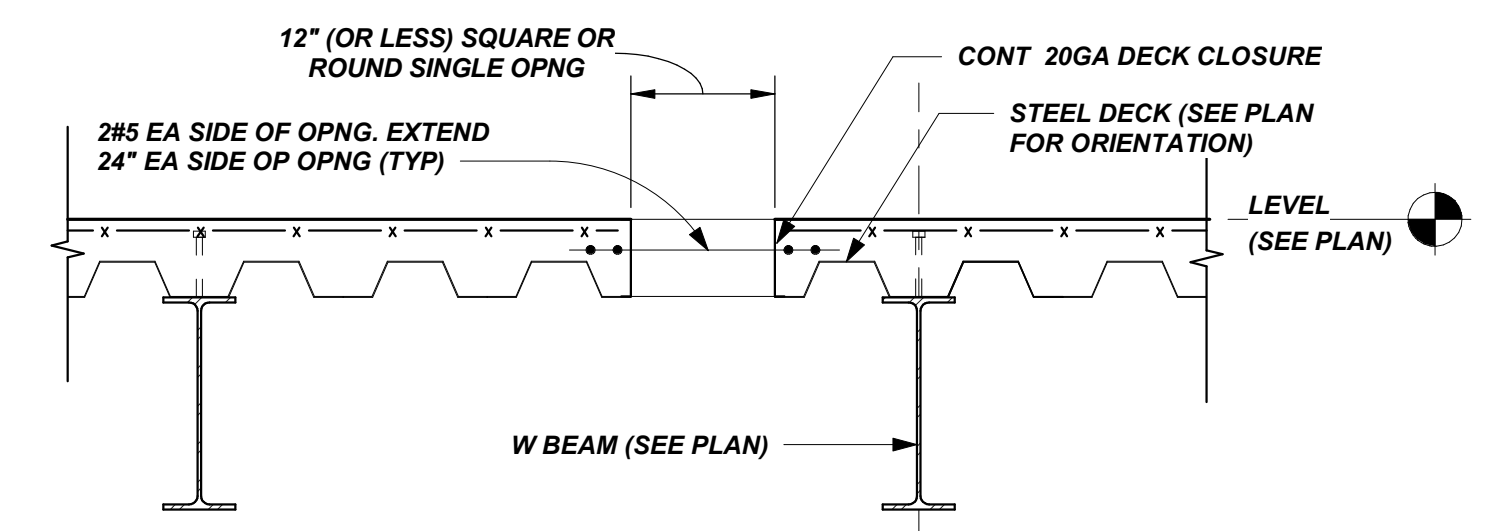
SLAB OVERHANG BEYOND EDGE OF BEAM FLANGE	POUR STOP GAGE
<3"	14 GA
3"-6"	12 GA
7"-9"	10 GA
>9"	SEE SECTIONS & DETAILS

TYP POUR STOP SCHEDULE & DETAIL U.N.O.
N.T.S.

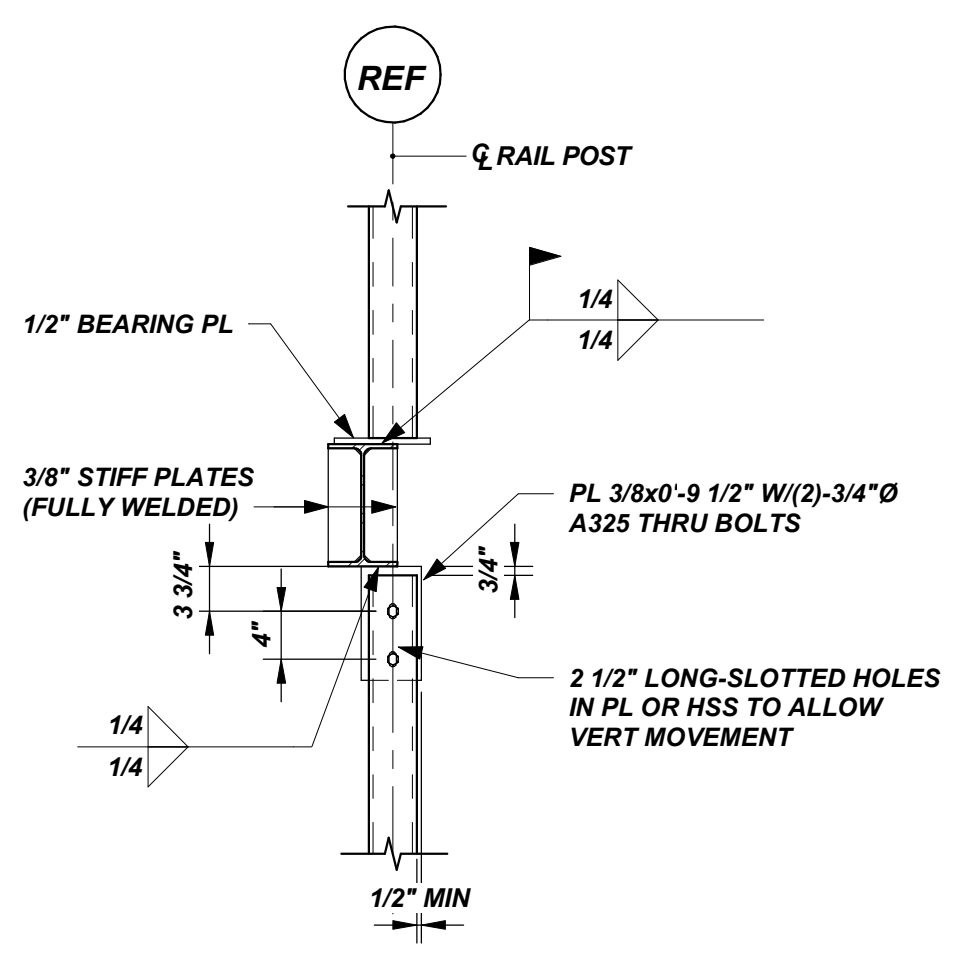
SIMPLE SHEAR BEAM CONNECTION SCHEDULE

BEAM SIZE	DESIGN REACTION	MIN No. BOLTS - ONE SIDED CONNECTION	MIN No. BOLTS - TWO SIDED CONNECTION
W10/W12	15K	2	2
W16/W18	40K	4	3
W21	50K	5	4

- SIMPLE SHEAR CONNECTIONS NOTES:**
- SIMPLE SHEAR CONNECTIONS SHALL BE SELECTED FROM THE AISC "MANUAL OF STEEL CONSTRUCTION, THIRTEENTH EDITION" USING THE ABOVE REFERENCED REACTIONS AND CRITERIA. REACTIONS INDICATED ARE UNFACTORED (SERVICE LEVEL LOADS). MORE BOLTS THAN REFERENCED IN THE "MINIMUM" SECTIONS ABOVE MAY BE REQUIRED FOR LOAD REQUIREMENTS.
 - CONNECTIONS ARE SUBJECT TO REVIEW ON THE STEEL SHOP DRAWINGS.
 - ALL BOLTS SHALL BE A325 OR A490 FOR SIMPLE SHEAR CONNECTIONS, MIN 3/4". MINIMUM WELD SIZE SHALL BE 5/16". MINIMUM ANGLE/PLATE THICKNESS SHALL BE 3/8".
 - ONE SIDED CONNECTIONS INCLUDE SINGLE PLATES AND SINGLE ANGLE CONNECTIONS.
 - TWO SIDED CONNECTIONS INCLUDE DOUBLE ANGLE AND END PLATE CONNECTIONS.



TYP SMALL FLOOR SLAB OPENING DETAIL
N.T.S.



TYP ELEV RAIL POST CONN
N.T.S.

THIS PLAN SHALL NOT BE MODIFIED WITHOUT WRITTEN PERMISSION FROM SEBAGO TECHNOLOGICALS, INC. ALL RIGHTS RESERVED. USER'S SOLE RISK AND WITHOUT LIABILITY TO SEBAGO TECHNOLOGICALS, INC.

REV.	DATE	ISSUED FOR BID STATUS
0	12-22-17	ISSUED FOR BID

SEBAGO
TECHNICALS
75 John Roberts Rd. - Suite 114
5000
Portland, ME 04106
Tel: 207.202.2100
Fax: 207.783.6556

WWW.SEBAGOTECHNICALS.COM
Scale B
250 Coordinate Ref
1/4" = 1'-0"

PROJECT NO. FIELD BOOK DESIGN CHKD DRAWN

TYPICAL FRMG SECTIONS & DETAILS
OF:
**PORTLAND INTERNATIONAL JETPORT
VERTICAL CIRCULATION IMPROVEMENTS**
1001 WESTBROOK STREET
PORTLAND, MAINE 04102

DATE	SCALE
12/22/17	3/4" = 1'-0"