

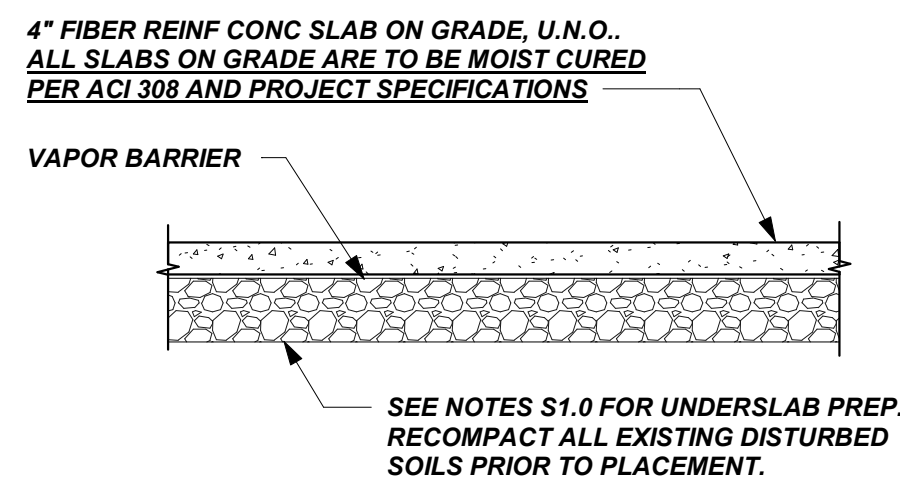
ARCHITECTURE 144 Fore Street P.O. Box 618  
Portland, Maine 04104  
ENGINEERING tel: (207) 772-3948  
PLANNING fax: (207) 772-1070  
INTERIORS www.smrinc.com  
ENERGY  
**SMRT**  
PROJECT NO. PROJECT MGR. LIC/DRAWN A/E OF RECORD  
4021 Author Checker

ISSUED FOR BID  
DATE: 12-22-17  
BY: 0  
REV: 0  
STATUS:  
THIS PLAN SHALL NOT BE MODIFIED WITHOUT WRITTEN PERMISSION FROM SEBAGO ENGINEERING, INC. ALL RIGHTS RESERVED. USER'S SOLE RISK AND WITHOUT LIABILITY TO SEBAGO TECHNIQS, INC.

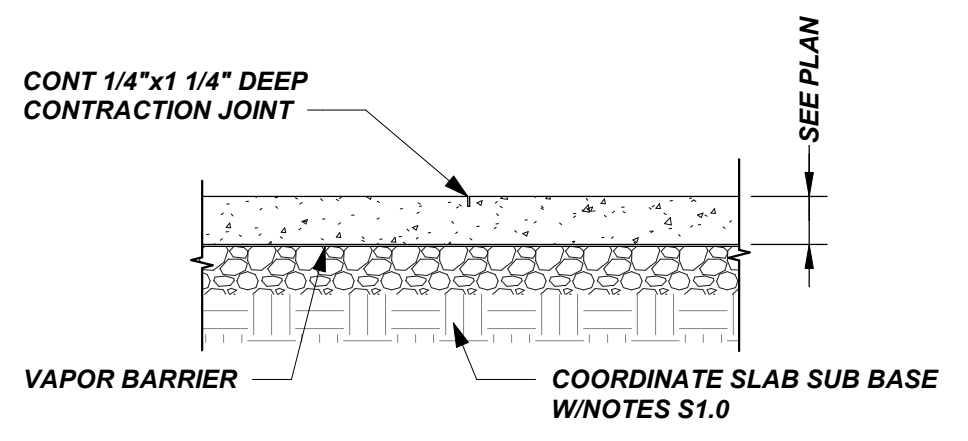
**SEBAGO**  
TECHNICALS  
www.sebagotech.com  
75 John Roberts Rd. - Suite 1A  
5000 Portland Rd. - Suite B  
Portland, ME 04106  
Tel: 207.200.2100  
Tel: 207.783.5656  
PROJECT NO. | FIELD BOOK | DESIGN | CHKD | DRAWN

TYPICAL CONCRETE SECTIONS & DETAILS  
OF:  
**PORTLAND INTERNATIONAL JETPORT  
VERTICAL CIRCULATION IMPROVEMENTS**  
1001 WESTBROOK STREET  
PORTLAND, MAINE 04102

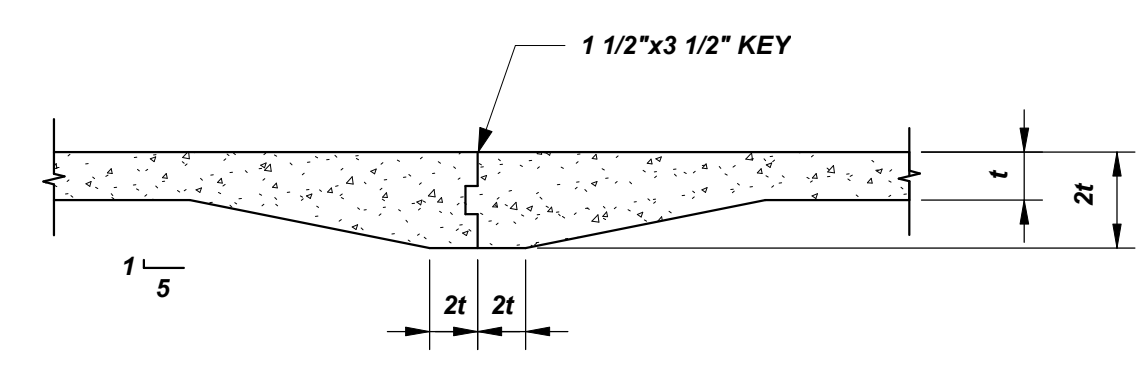
DATE: 12/22/17  
SCALE: 1/2" = 1'-0"



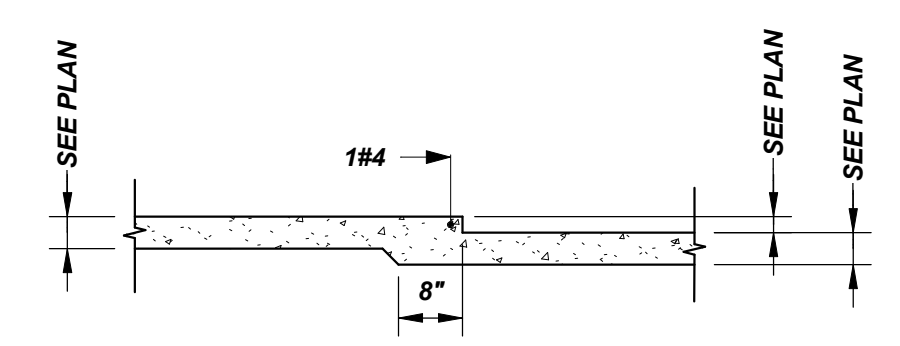
**TYP SLAB DETAIL**  
N.T.S.



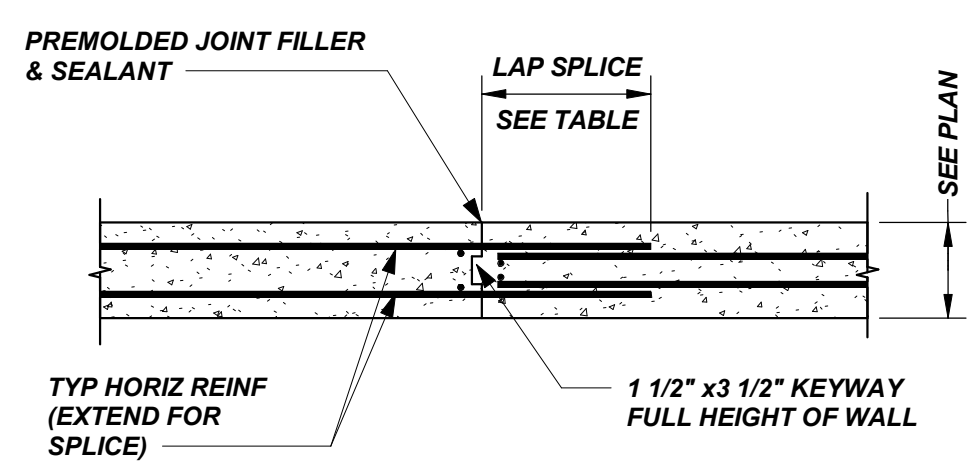
**TYP SLAB ON GRADE CONTRACTION  
JOINT DETAIL**  
N.T.S.



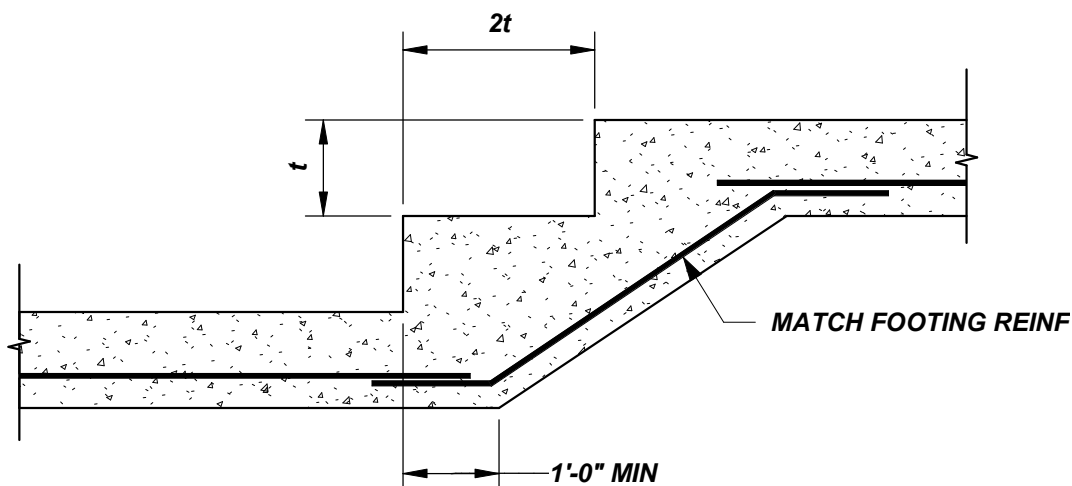
**TYP SLAB ON GRADE CONST JOINT DETAIL**  
N.T.S.



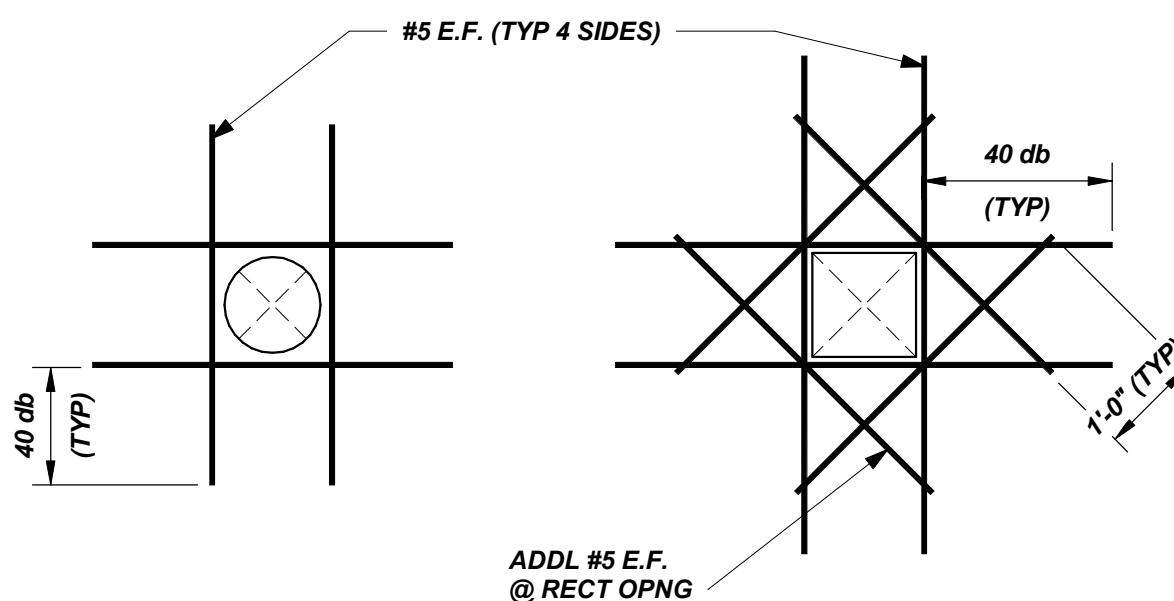
**TYP SLAB ON GRADE DEPRESSION DETAIL**  
N.T.S.



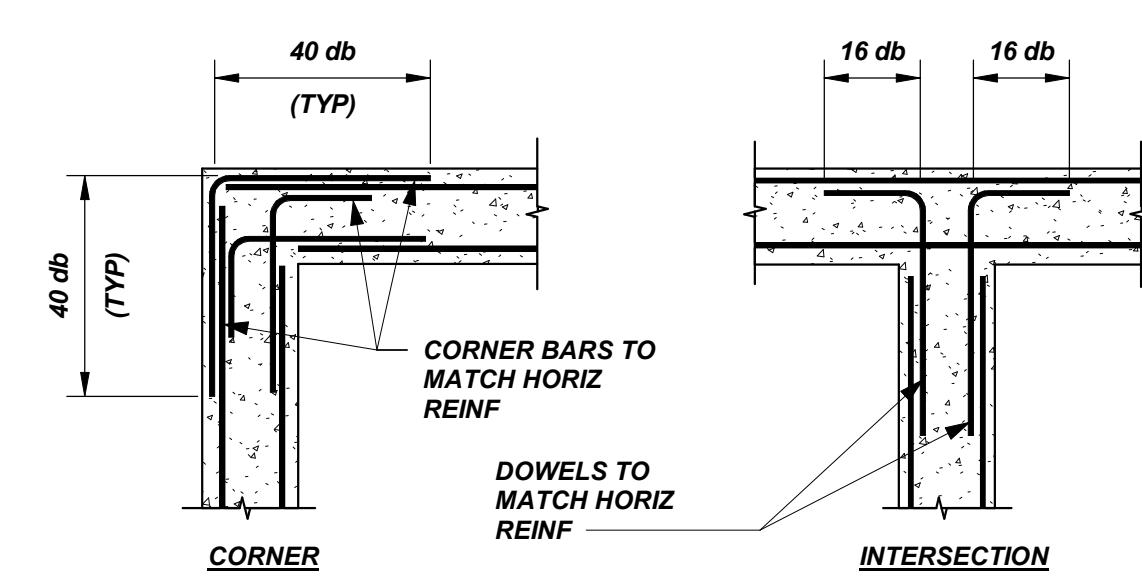
**TYP CONSTRUCTION JOINT IN WALL**  
N.T.S.



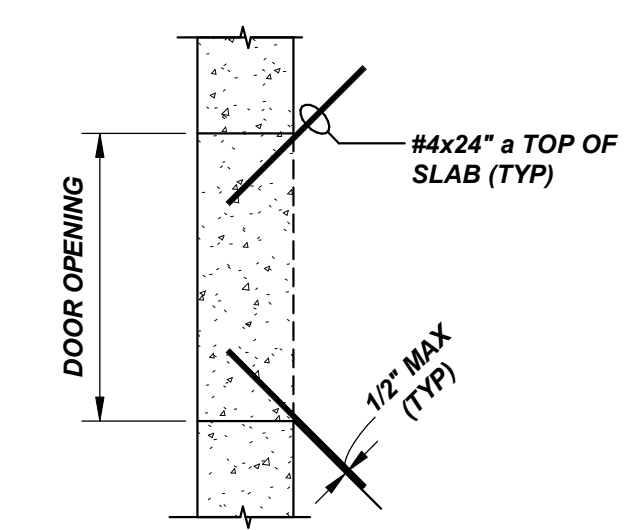
**TYP STEP FOOTING DETAIL**  
N.T.S.



**TYP OPENING IN WALL OR SLAB DETAIL**  
N.T.S.

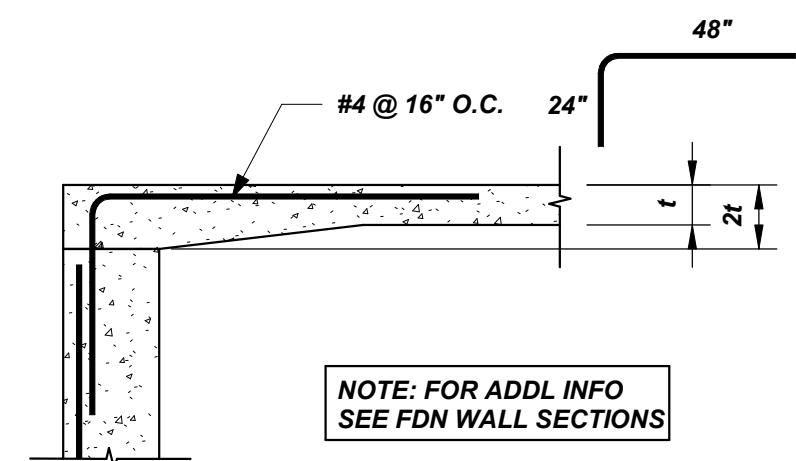


**TYP WALL REINF DETAILS**  
N.T.S.

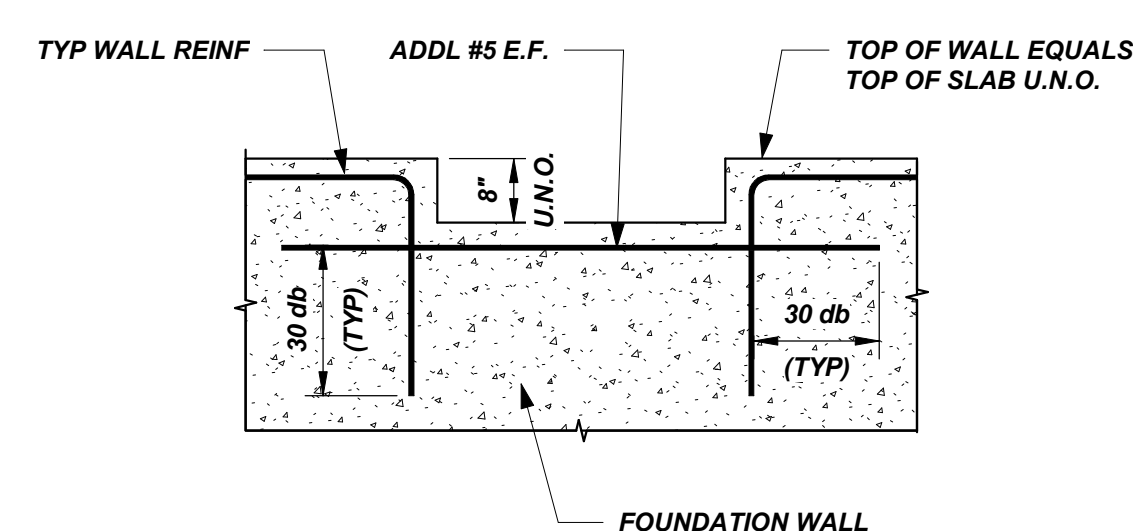


NOTE: ALSO PROVIDE #4x24" (TOP) IN  
SLAB @ INSIDE RE-ENTRANT CORNERS  
(SEE PLAN)

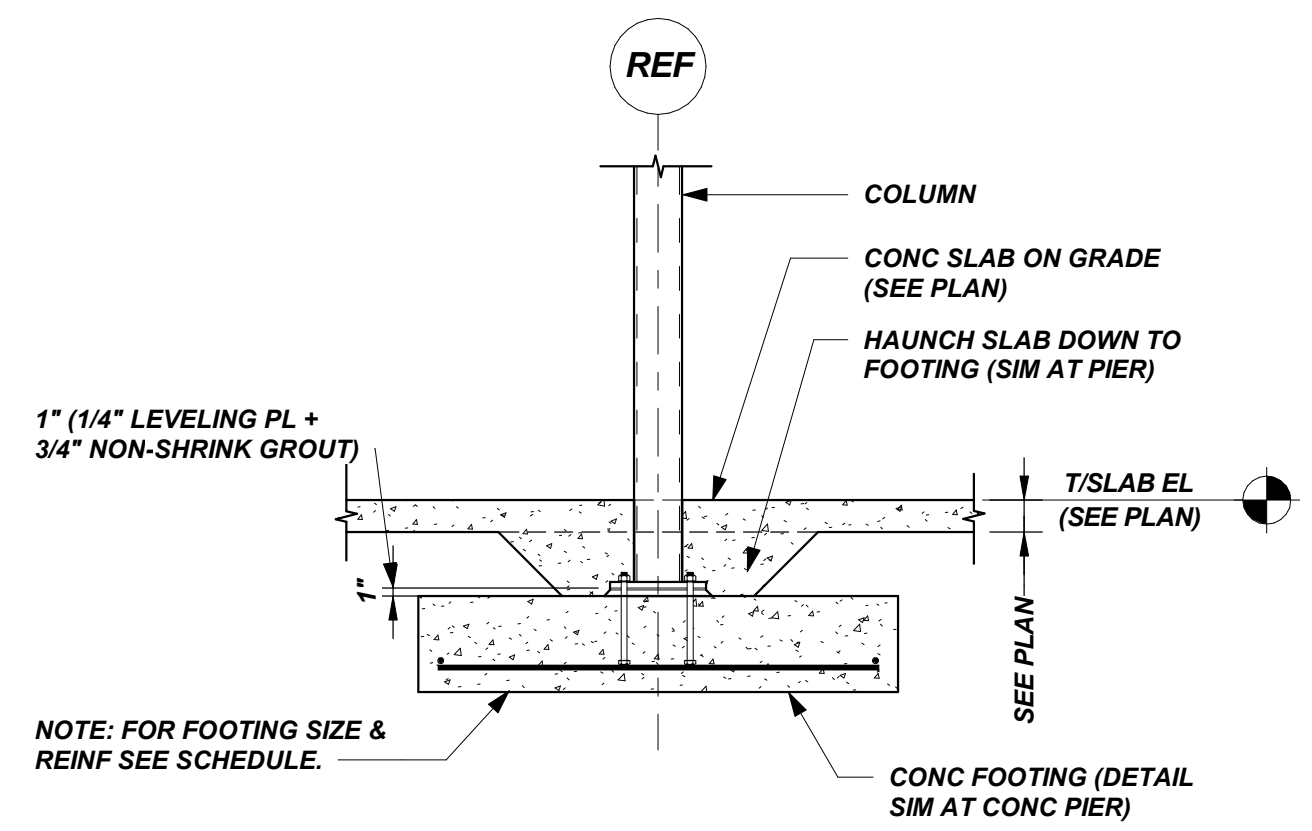
**TYP SLAB CORNER DETAIL @ DOOR**  
N.T.S.



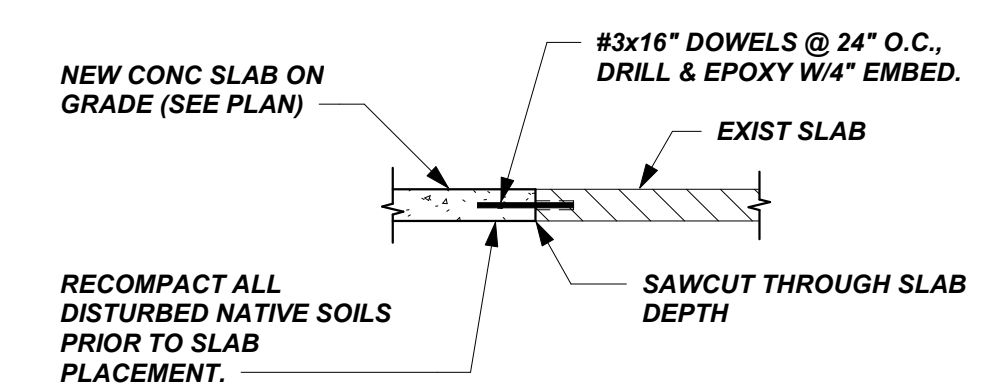
**TYPICAL SLAB DETAIL AT DOOR**  
N.T.S.



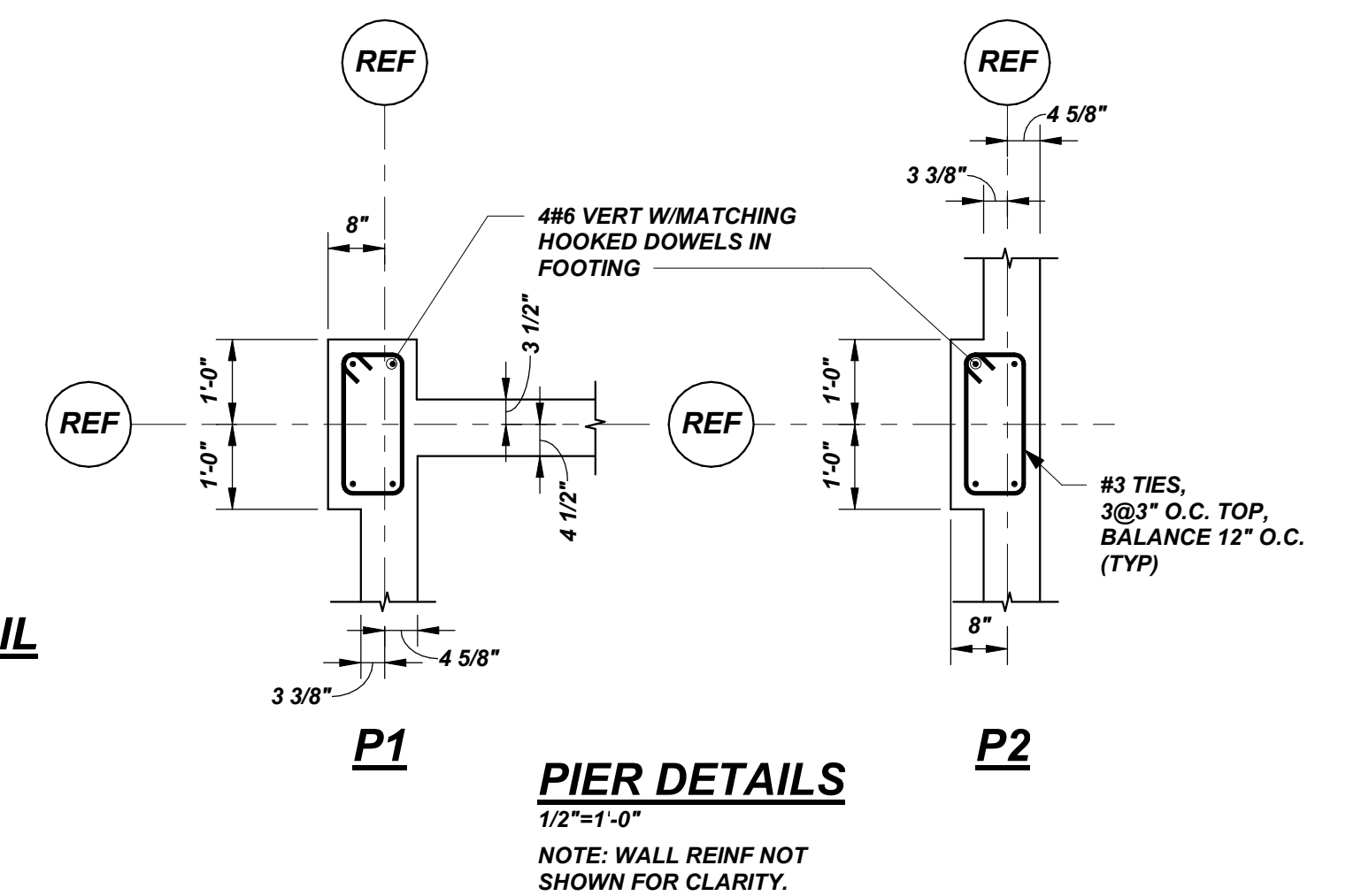
**TYP WALL DEPRESSION DETAIL @ DOOR**  
N.T.S.



**TYP COLUMN BASE DETAIL**  
N.T.S.



**TYP SLAB ON GRADE PIN TO EXIST DETAIL**  
N.T.S.



BAR SIZE	LAP LENGTH	
	3,500 PSI	5,000 PSI
#3	30"	24"
#4	36"	32"
#5	48"	42"
#6	56"	48"
#7	81"	72"
#8	93"	80"